

US00D794478S

(12) **United States Design Patent** (10) **Patent No.:** **US D794,478 S**  
**Read et al.** (45) **Date of Patent:** **\*\* Aug. 15, 2017**

(54) **WALL MOUNTABLE CONNECTOR**

5,485,954 A 1/1996 Guy et al.  
D402,569 S 12/1998 Papic et al.  
6,102,749 A 8/2000 Lynn et al.  
(Continued)

(71) Applicant: **Honeywell International Inc.**, Morris Plains, NJ (US)

(72) Inventors: **Travis Read**, Little Canada, MN (US); **David J. Emmons**, Plymouth, MN (US); **Jonathan Erbacher**, Minneapolis, MN (US)

**FOREIGN PATENT DOCUMENTS**

CA 658329 2/1963  
CA 772736 11/1967  
(Continued)

(73) Assignee: **Honeywell International Inc.**, Morris Plains, NJ (US)

**OTHER PUBLICATIONS**

Enviromental Technologies, Inc., "Enviro-Tec ETST4H 2" Square Thermostat Mounting Instructions," 1 pages, downloaded Feb. 21, 2016.

(\*\*) Term: **15 Years**

(Continued)

(21) Appl. No.: **29/554,637**

(22) Filed: **Feb. 12, 2016**

*Primary Examiner* — Antoine D Davis

(51) **LOC (10) Cl.** ..... **10-04**

(74) *Attorney, Agent, or Firm* — Seager, Tufte & Wickhem, LLP

(52) **U.S. Cl.**

USPC ..... **D10/60; D13/154**

(58) **Field of Classification Search**

USPC ..... D10/49, 60, 103; D13/133, 146, 147, D13/149, 154

CPC ..... H01R 13/707; H01R 13/62933; H01R 12/7076; H01H 13/14; H01H 2201/00

See application file for complete search history.

(57) **CLAIM**

The ornamental design for a wall mountable connector, as shown and described.

**DESCRIPTION**

FIG. 1 is a perspective view of a wall mountable connector; FIG. 2 is a front side view of the wall mountable connector of FIG. 1; FIG. 3 is a left side view of the wall mountable connector of FIG. 1; FIG. 4 is a right side view of the wall mountable connector of FIG. 1; FIG. 5 is a top side view of the wall mountable connector of FIG. 1; and, FIG. 6 is a bottom side view of the wall mountable connector of FIG. 1.

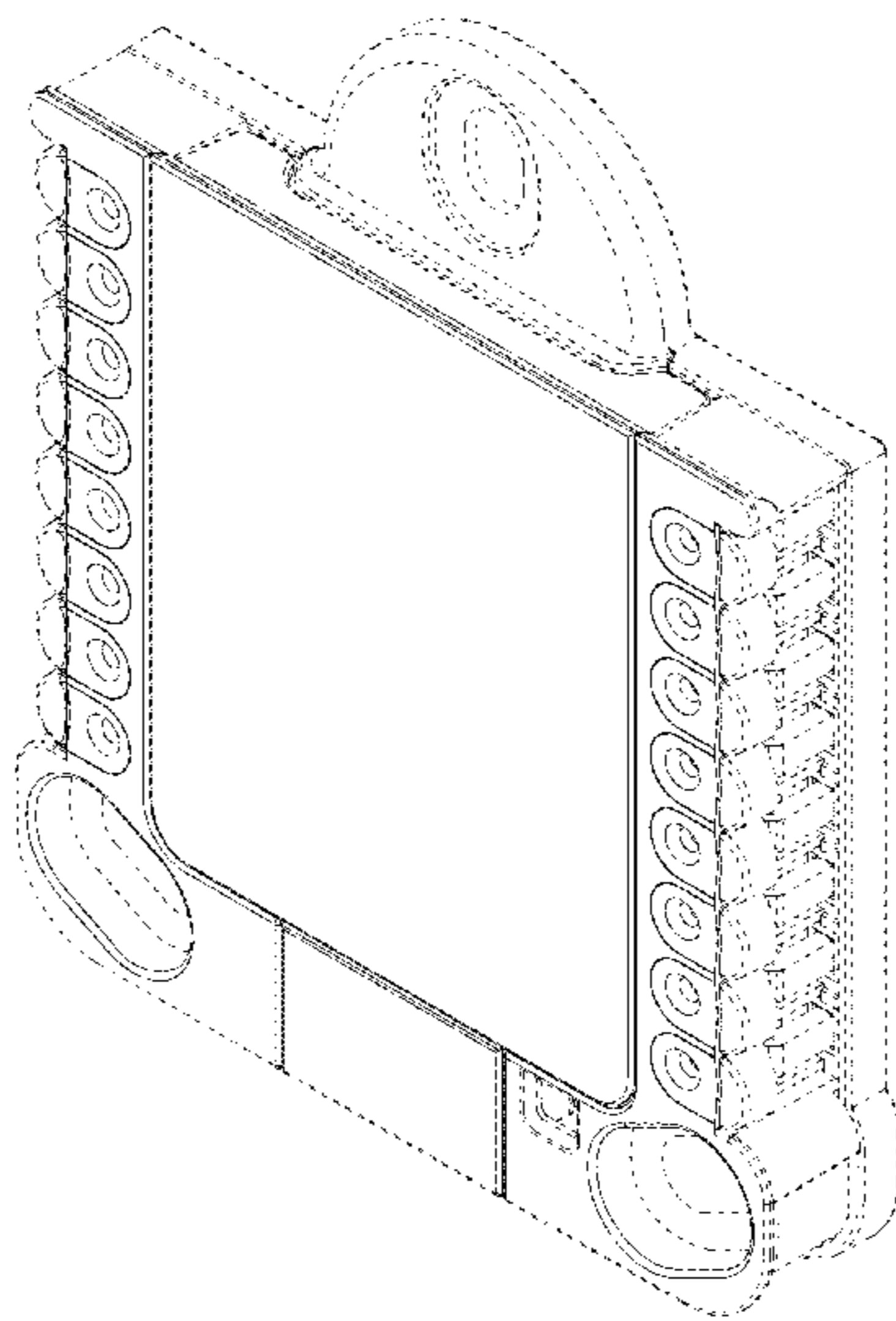
The portions illustrated in broken lines on the figures are for illustrative purposes only and form no part of the claimed design.

(56) **References Cited**

**U.S. PATENT DOCUMENTS**

3,051,001 A 8/1962 Laviana et al.  
3,096,935 A 7/1963 Gibson  
3,152,851 A 10/1964 McLaughlin  
3,310,646 A 3/1967 Edwards  
3,999,732 A 12/1976 Stephens  
4,150,718 A 4/1979 Kolbow et al.  
4,421,271 A 12/1983 Shavit  
4,587,403 A 5/1986 Shapess  
4,669,654 A 6/1987 Levine et al.  
4,998,085 A 3/1991 Johnson

**1 Claim, 6 Drawing Sheets**



(56)

References Cited

U.S. PATENT DOCUMENTS

6,888,441	B2	5/2005	Carey	
7,140,551	B2	11/2006	De Pauw et al.	
7,159,789	B2	1/2007	Schwendinger et al.	
7,161,483	B2	1/2007	Chung	
7,222,800	B2	5/2007	Wruck	
7,344,422	B2	3/2008	Helmreich	
7,360,736	B2	4/2008	Zangirolami	
D568,719	S	5/2008	Gorin et al.	
7,569,777	B1	8/2009	Gillam	
7,617,988	B2	11/2009	Morrow et al.	
7,726,581	B2	6/2010	Naujok et al.	
8,089,032	B2	1/2012	Beland et al.	
8,262,422	B1	9/2012	Chiang	
9,017,081	B2 *	4/2015	Ueyama	..... H01R 12/7076 439/64
D769,196	S *	10/2016	Yokoyama	..... D13/147
2005/0194457	A1	9/2005	Dolan	
2010/0084482	A1	4/2010	Kennedy et al.	
2014/0226286	A1	8/2014	Novotny et al.	
2015/0096352	A1	4/2015	Peterson et al.	
2015/0159903	A1	6/2015	Marak et al.	
2015/0327375	A1	11/2015	Bick et al.	
2016/0104981	A1	4/2016	Mostoller et al.	

FOREIGN PATENT DOCUMENTS

CA	1249869	2/1989
CA	2062076	5/2000
DE	102012005465 B3	5/2013
DE	202013101582 U1	8/2014
EP	1622224 A1	2/2006
FR	2935201 A1	2/2010

OTHER PUBLICATIONS

Honeywell, "FocusPro 6000 Series Programmable Digital Thermostat, Installation Instructions," 24 pages, Mar. 2014.

Honeywell, "Heating/Cooling Thermostat and Subbase or Heating or Cooling Thermostat and Wallplate, T8195A,B/Q682 Owner's Manual," 24 pages, Dec. 1994.

Honeywell, "Lyric Installation Guide," 9 pages, downloaded Feb. 20, 2016.

Honeywell, "TB6575/TB8575 SuitePRO Digital Fan Coil Thermostats, Installation Instructions," 20 pages, Oct. 2013.

<https://nest.com/support/pro/article/Help-with-Installation-and-setup>, "Nest Learning Thermostat Advanced Installation and Setup Help for Professional Installers," 22 pages, printed Feb. 20, 2016.

[https://www.google.com/search?q=nest+sub+base&espv=2&biw=1032&bih=946&source=lnms&tbm=isch&sa=X&ved=0ahUKEwiNmea73YbLAhWJdR4KH . . .](https://www.google.com/search?q=nest+sub+base&espv=2&biw=1032&bih=946&source=lnms&tbm=isch&sa=X&ved=0ahUKEwiNmea73YbLAhWJdR4KH...), "Thermostat Wall Plate—Google Search," 16 pages, printed Feb. 20, 2016.

[https://www.google.com/search?q=nest+sub+base&espv=2&biw=1032&bih=946&source=lnms&tbm=isch&sa=X&ved=0ahUKEwiNmea73YbLAhWJdR41 . . .](https://www.google.com/search?q=nest+sub+base&espv=2&biw=1032&bih=946&source=lnms&tbm=isch&sa=X&ved=0ahUKEwiNmea73YbLAhWJdR41...), "Thermostat Subbase—Google Search," 28 pages, printed Feb. 20, 2016.

ICM Controls, "SC700V Non-Programmable Fan Coil Thermostat," 2 pages, downloaded Feb. 21, 2016.

Lux, "WP567 Lux Universal Wallplate—Fits Thermostats TX500U, TX9100U, TX9600TS," available on Amazon.com, downloaded May 20, 2015.

Pro, "Heavy Duty Products for HVAC Professionals," 2 pages, downloaded Feb. 8, 2016.

Ritetemp, "Install Guide 6004," 7 pages, downloaded Feb. 21, 2016.

White-Rodgers, "F61-2XXX Adaptor Plate Assembly, Installation Instructions," 2 pages, downloaded Feb. 21, 2016.

The International Search Report for PCT Application Serial No. PCT/US2015/054208, mailed Mar. 12, 2015.

\* cited by examiner

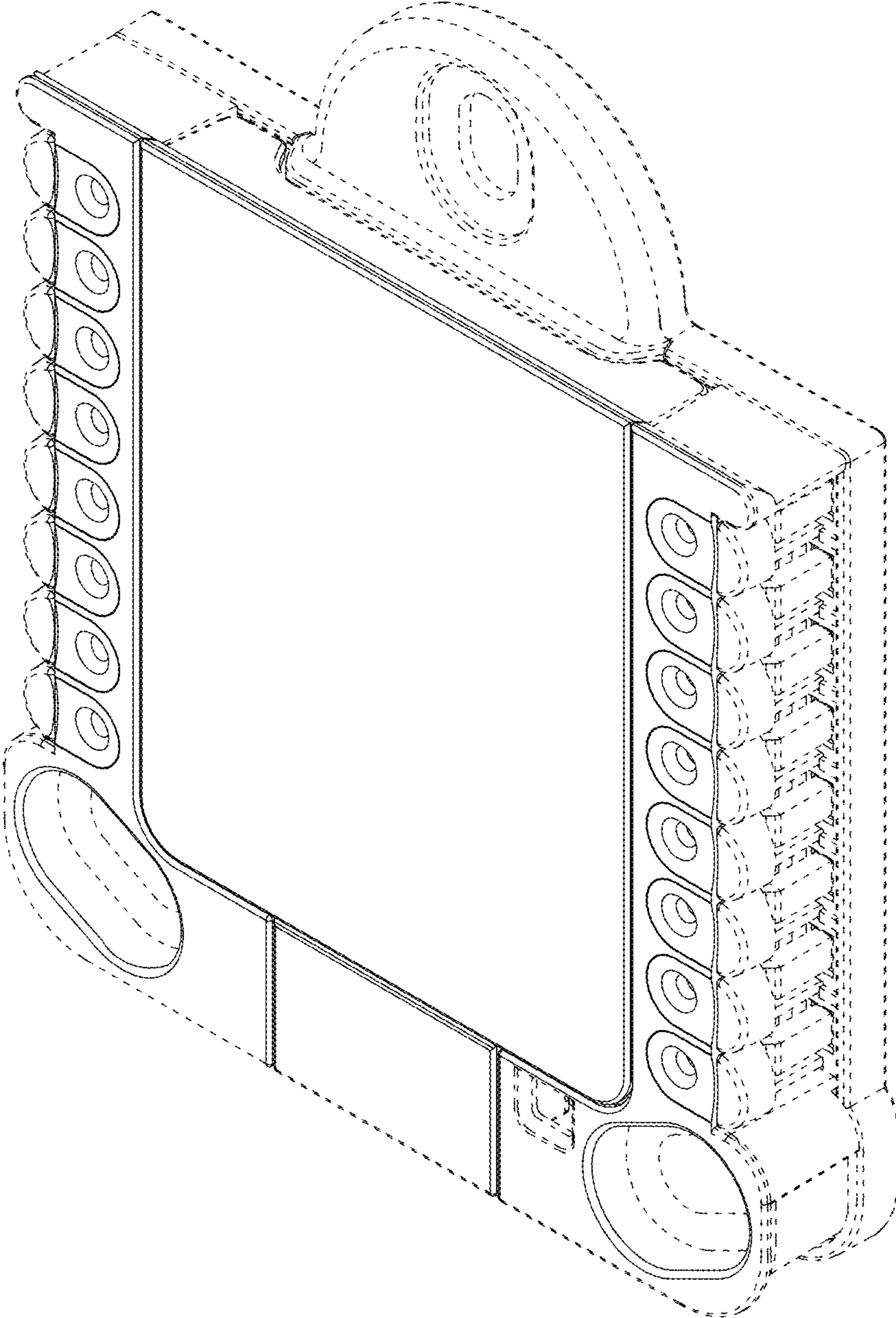


FIG. 1



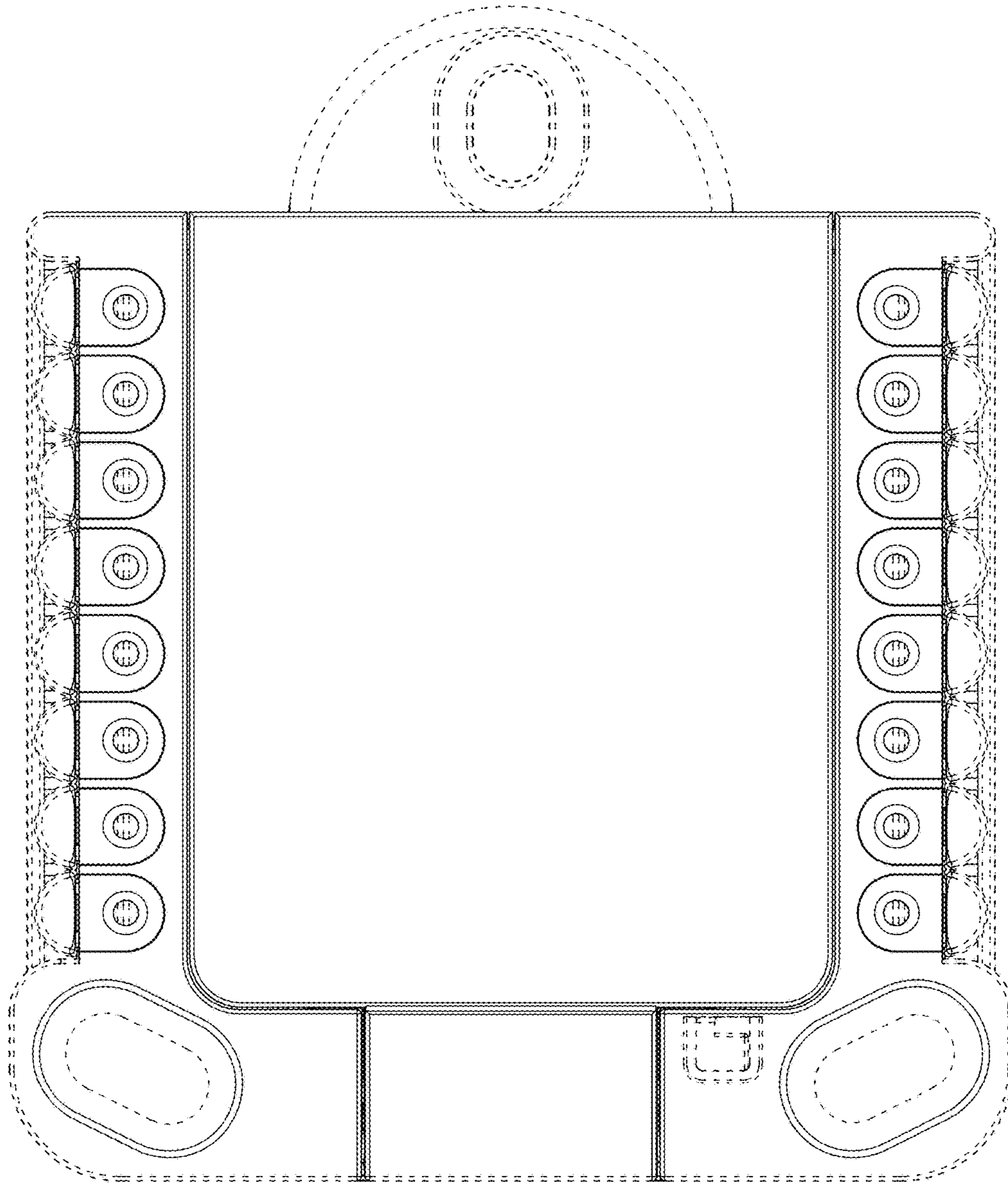


FIG. 2

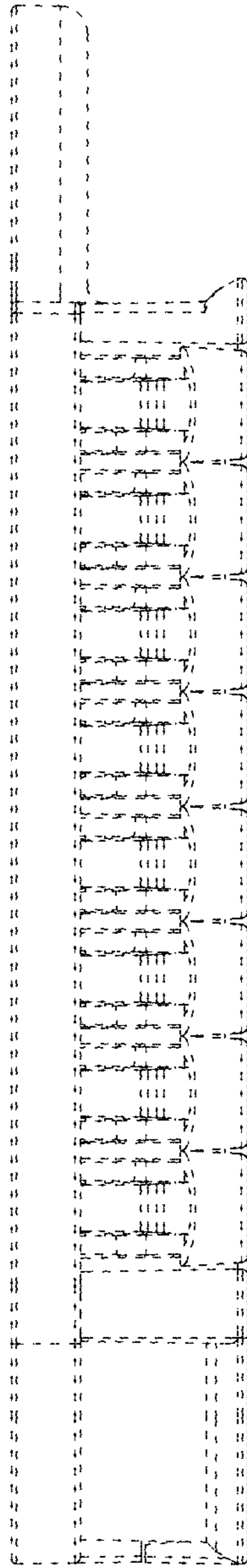


FIG. 3

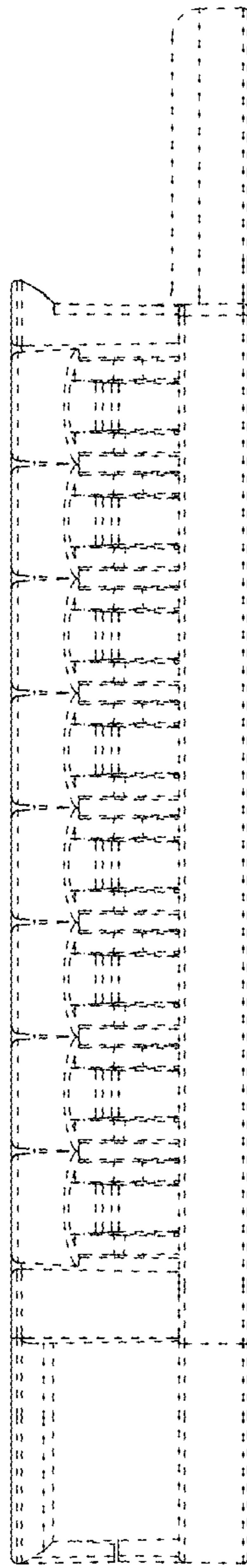


FIG. 4

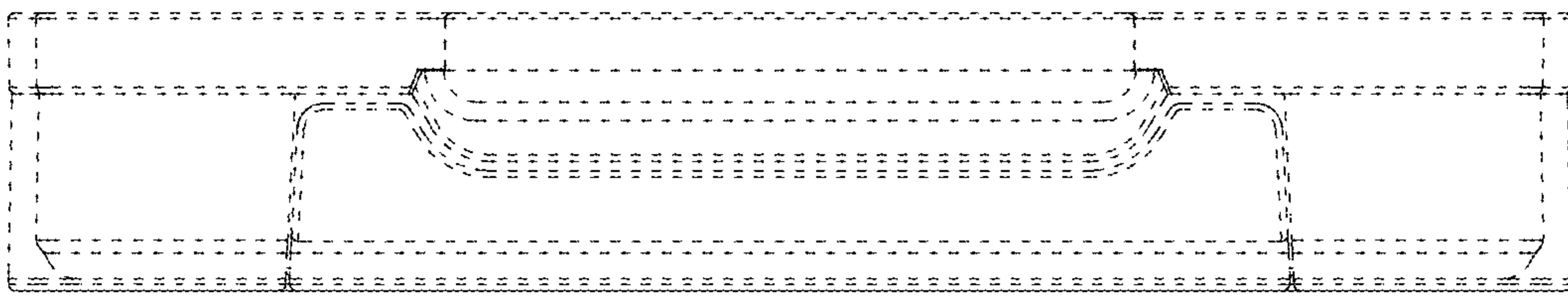


FIG. 5

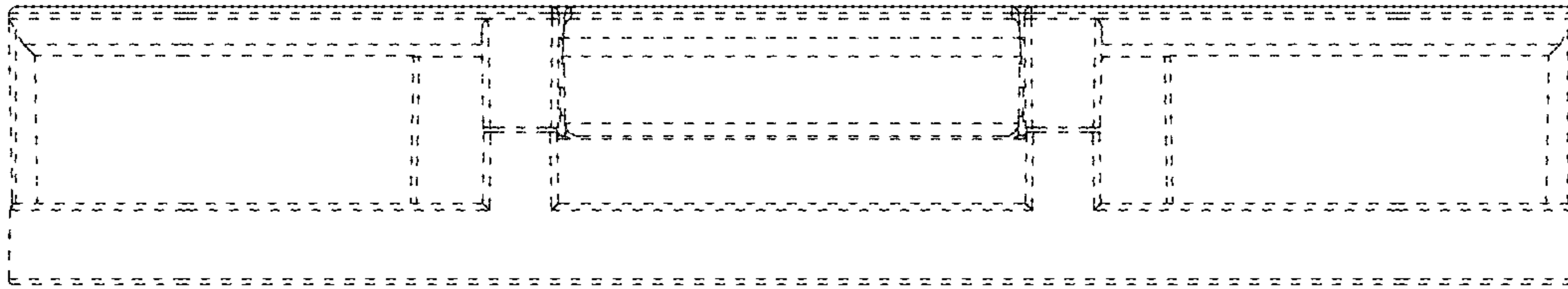


FIG. 6