



US00D794475S

(12) **United States Design Patent** (10) **Patent No.:** **US D794,475 S**
Now (45) **Date of Patent:** **** Aug. 15, 2017**

(54) **SEALABLE STACKABLE CONTAINER**

OTHER PUBLICATIONS

- (71) Applicant: **Leo Martin Now**, San Francisco, CA (US)
- (72) Inventor: **Leo Martin Now**, San Francisco, CA (US)
- (**) Term: **15 Years**
- (21) Appl. No.: **29/549,516**
- (22) Filed: **Dec. 22, 2015**
- (51) **LOC (10) Cl.** **09-01**
- (52) **U.S. Cl.**
USPC **D9/738**; D9/742; D9/746
- (58) **Field of Classification Search**
USPC D9/549, 558, 518, 552, 573-575, 746, D9/300, 424, 434, 454, 453, 428, 435, D9/686, 690, 692, 715, 716, 719, 721, D9/737, 738, 743, 751, 752, 761, 741, D9/747; D7/509-511, 563, 573, 513, D7/507, 523, 532, 538-545, 300, 308, D7/312, 315, 601, 602, 619.1, 622, 629, D7/608, 305, 603, 605, 619, 700, 614; D3/201, 203.1, 203.3; D6/534, 528, 551; D24/226, 227, 229; D28/4, 8, 73, 76, 77, D28/82, 91; 264/532; 222/129, 94, 135, 222/541.1, 541.5, 541.6, 562, 288, 376; 220/505, 504, 288, 709, 23.4, 23.8, 23.88, 220/633, 916, 23.83, 660, 662, 669, 675, 220/212, 670-673; 215/6, 10, 1 R, 1 C, 215/379, 381-385, 316, 328, 355; 206/434, 426, 427, 429, 430, 485, 485.1,
(Continued)

Purple Cookies SF Triple Stack Jar, available Jul. 6, 2016, [online], [site visited Jun. 12, 2017]. Available from internet, <URL: https://www.amazon.com/Purple-Cookies-SF-Triple-Limited/dp/B01128AW8Q/ref=pd_sim_236_4?_encoding=UTF8&pd_rd_i=B01128AW8Q&pd_rd_r=CGRTWYA0DT23C0E5N2QB&pd_rd_w=l6sW0&pd_rd_wg=NP3Pg&psc=1&refRID=CGRTWYA0DT23C0E5N2QB.*>

(Continued)

Primary Examiner — Cathron Brooks
Assistant Examiner — Teddy Falloway
(74) *Attorney, Agent, or Firm* — Quickpatents, LLC; Kevin Prince

(57) **CLAIM**

I claim the ornamental design for a sealable stackable container, as shown and described.

DESCRIPTION

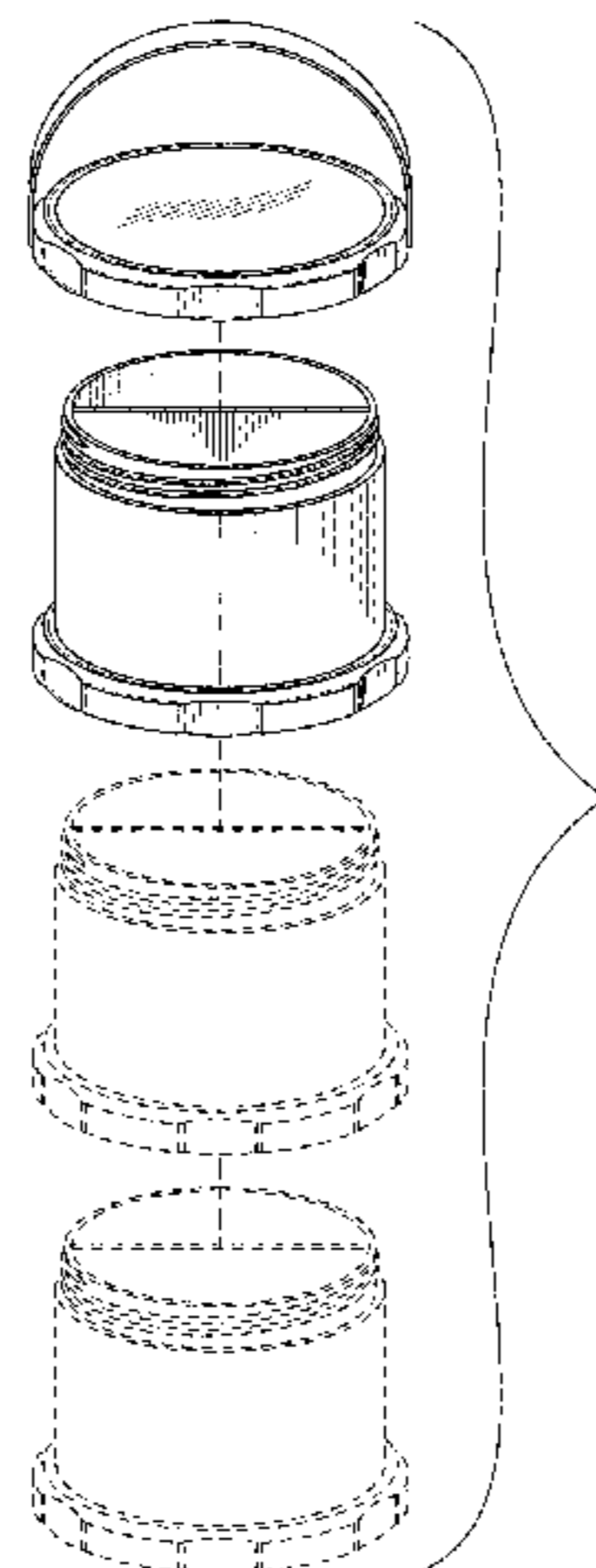
FIG. 1 is a perspective view of a sealable stackable container, showing my new design;
FIG. 2 is a top perspective view thereof;
FIG. 3 is an exploded front elevational view thereof;
FIG. 4 is an exploded rear elevational view thereof;
FIG. 5 is an exploded left-side elevational view thereof;
FIG. 6 is an exploded right-side elevational view thereof;
FIG. 7 is an exploded top plan view thereof;
FIG. 8 is an exploded bottom plan view thereof;
FIG. 9 is an exploded bottom perspective view thereof;
FIG. 10 is a cross-sectional view of a lid of the design, taken along line 10-10 of FIG. 7; and,
FIG. 11 is a cross-sectional view of a container of the design, taken along line 11-11 of FIG. 8.
The broken lines showing additional containers in FIG. 1 depict environmental matter and form no part of the claimed design.

(56) **References Cited**

U.S. PATENT DOCUMENTS

- 2,335,016 A * 11/1943 Lorenzen A61J 1/03 206/538
 - 3,746,158 A * 7/1973 Connick B65D 51/20 206/568
 - D259,012 S * 4/1981 Harris D7/320
- (Continued)

1 Claim, 5 Drawing Sheets



(58) **Field of Classification Search**

USPC 206/499, 508, 431; 229/117.3, 185, 121,
 229/122, 200, 207, 236, 87.01; 211/74
 CPC A24F 23/00; A45D 40/00; B65D 81/3205;
 B65D 1/16; B65D 1/48; B65D 25/20;
 B65D 41/04; B65D 1/10; B65D 1/00;
 A45F 3/20
 See application file for complete search history.

D696,079	S	*	12/2013	Meyers	D7/629
D702,892	S	*	4/2014	Duvigneau	D30/121
D737,503	S		8/2015	Now		
9,120,598	B2	*	9/2015	Meyers	B65D 21/022
9,289,083	B2	*	3/2016	Lee	A47G 19/30
D766,668	S	*	9/2016	Garcia	D7/608
D782,253	S	*	3/2017	Boroski	D7/608
D784,093	S	*	4/2017	Boroski	D7/608
D788,544	S	*	6/2017	Seiders	D7/608
2008/0217280	A1	*	9/2008	Dekker	A23L 2/52 215/6

(56) **References Cited**

U.S. PATENT DOCUMENTS

D261,088	S	*	10/1981	Akimov	D7/608
D355,735	S	*	2/1995	Shaffer	D32/53
D402,559	S	*	12/1998	Klima, Jr.	D9/434
6,422,424	B1	*	7/2002	Sheffler	A45D 40/0075 222/138
D630,475	S	*	1/2011	Lu	D7/629
D655,124	S	*	3/2012	Schenk	D7/307
D655,562	S	*	3/2012	Schenk	D7/307
D686,886	S	*	7/2013	Meyers	D7/629
D686,888	S	*	7/2013	Meyers	D7/629

OTHER PUBLICATIONS

Cookies “Mini” Jar, available Sep. 17, 2015, [online], [site visited Jun. 12, 2017]. Available from internet, <URL: https://www.amazon.com/Cookies-Mini-Jar-Silicone-Inserts/dp/B01787TC3S/ref=pd_sim_236_2?_encoding=UTF8&pd_rd_i=B01787TC3S&pd_rd_r=NJWKAZMGC0SR7HR5KE03&pd_rd_w=f7HIV&pd_rd_wg=0HnG9&pssc=1&refRID=NJWKAZMGC0SR7HR5KE03>.*

* cited by examiner

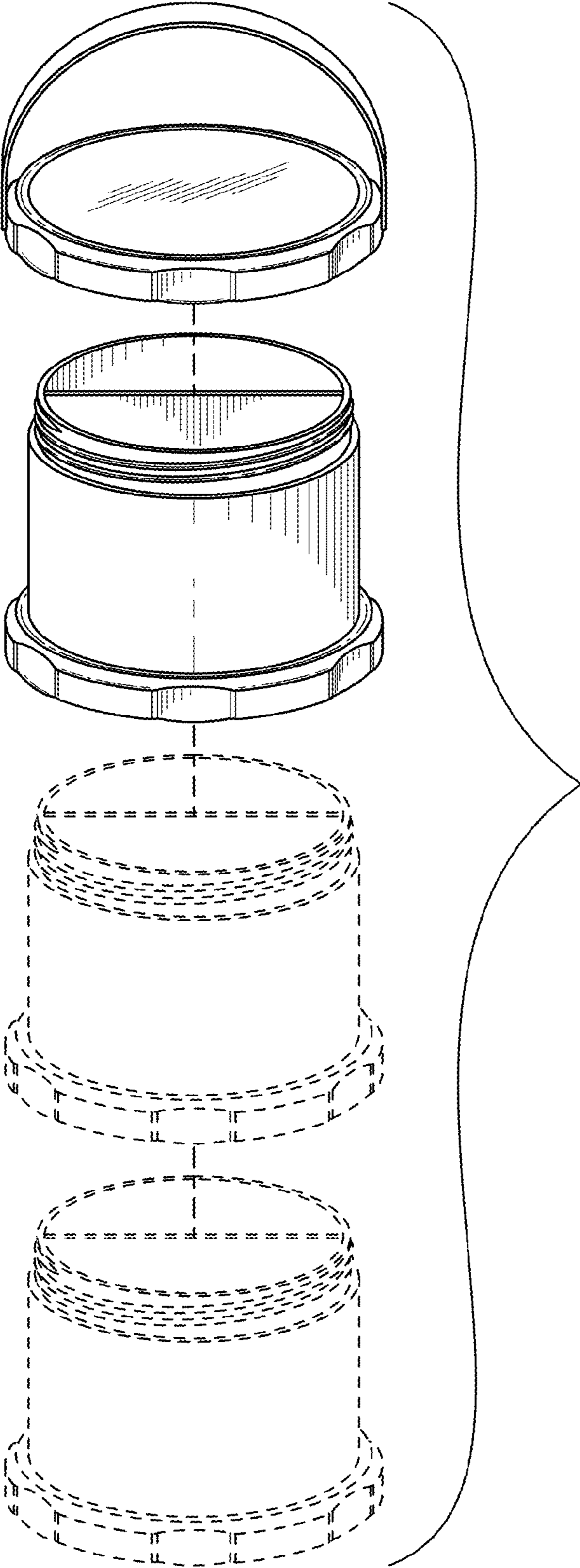


FIG. 1

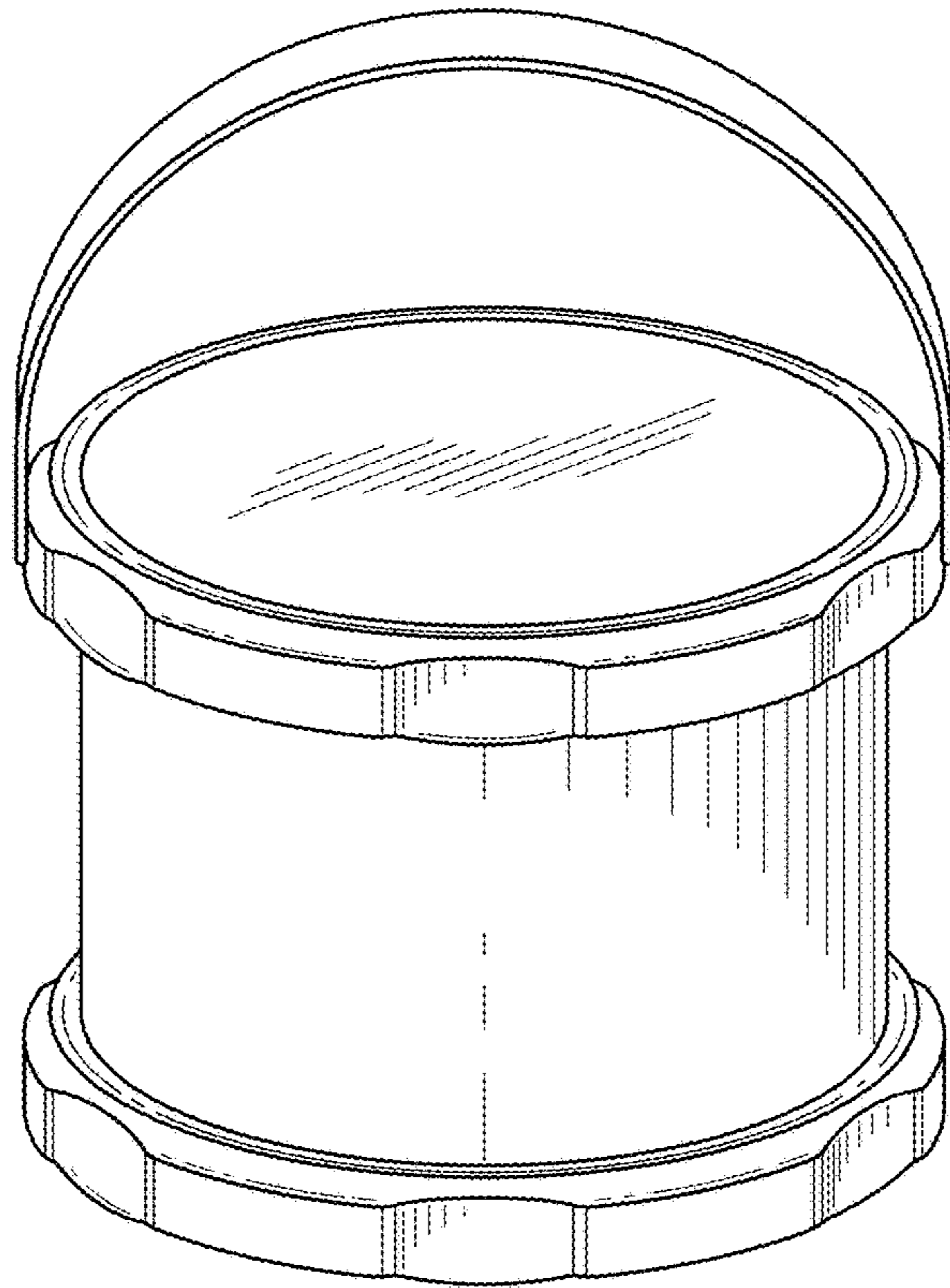


FIG. 2

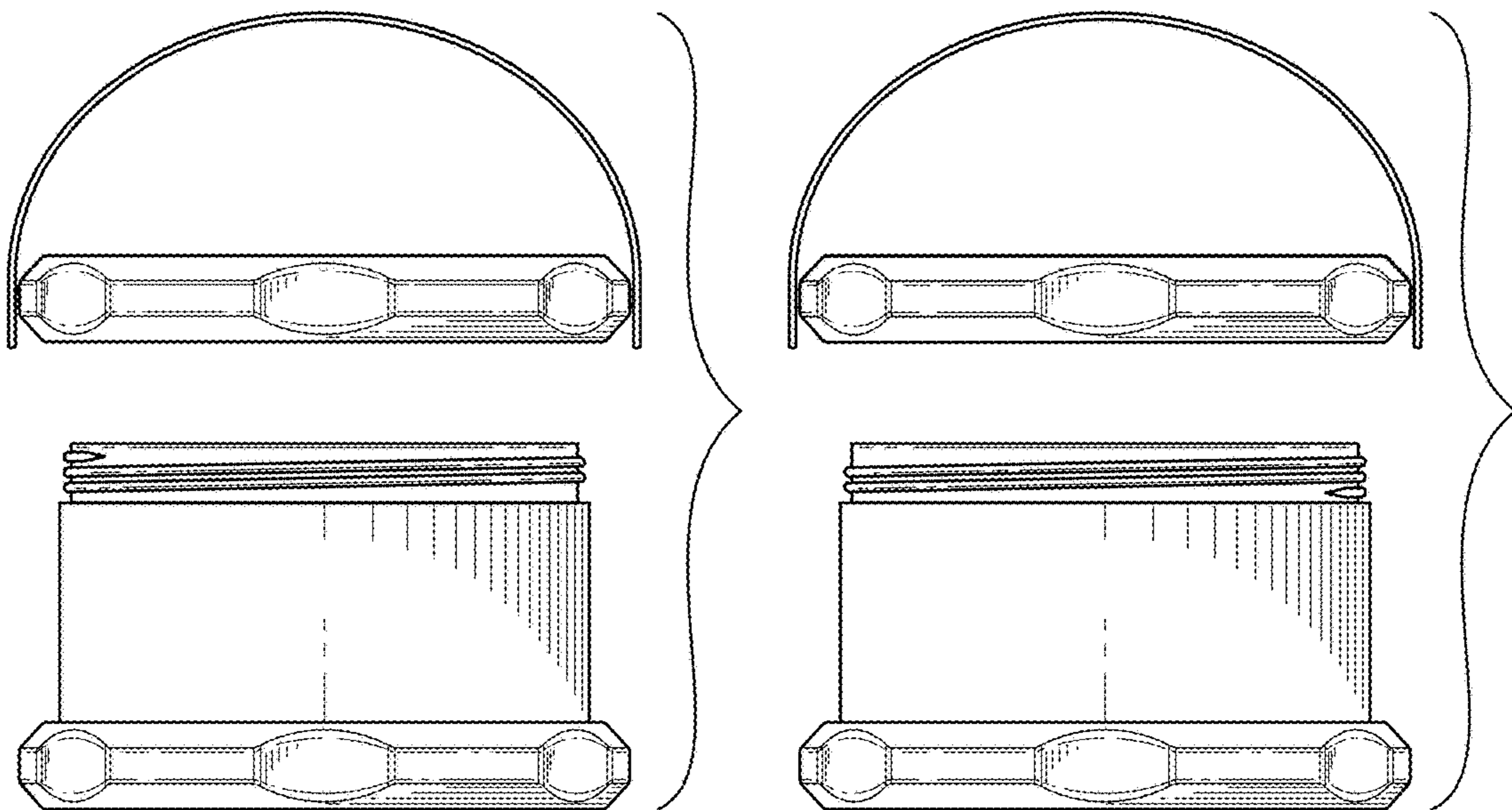


FIG. 3

FIG. 4

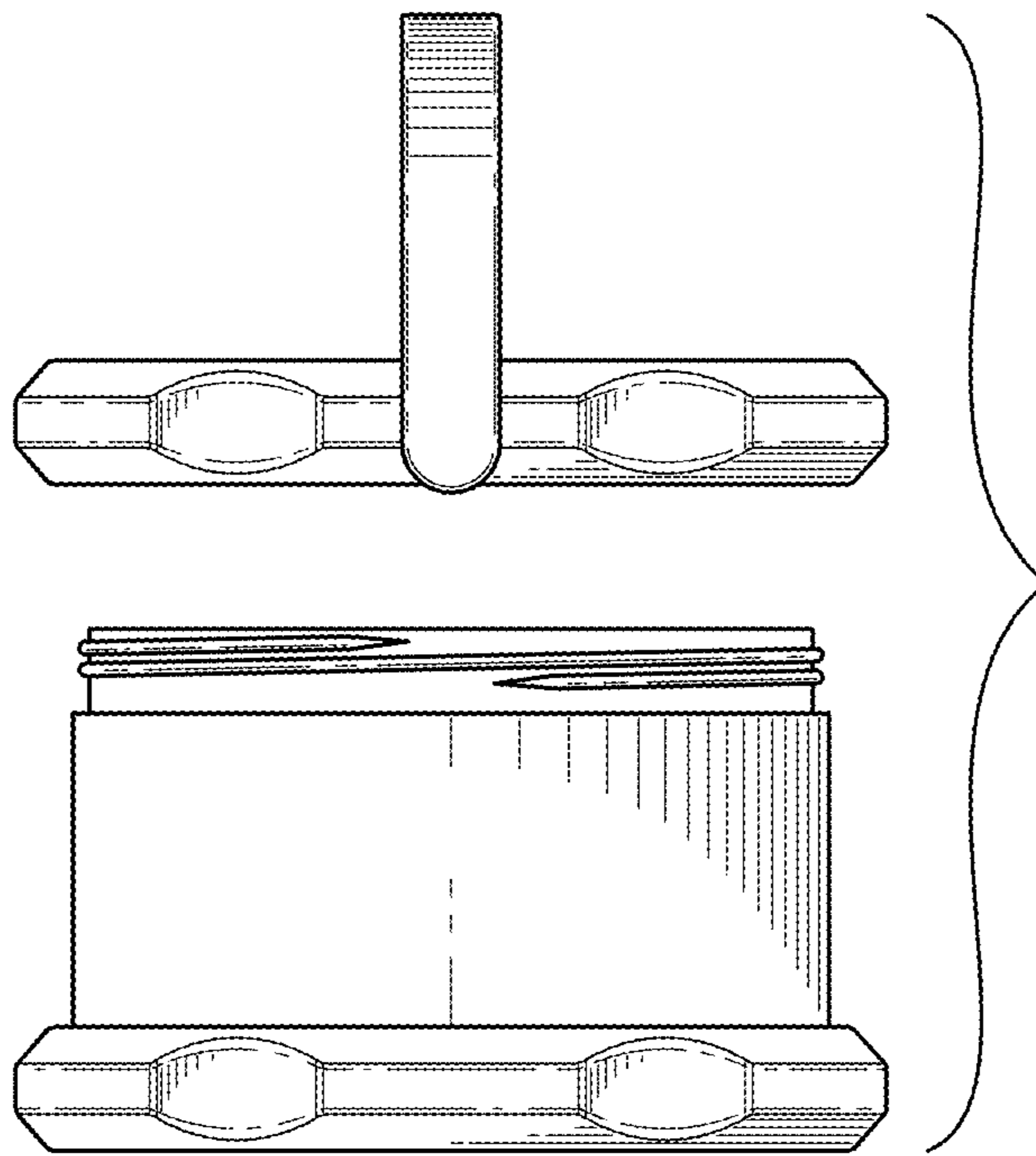


FIG. 5

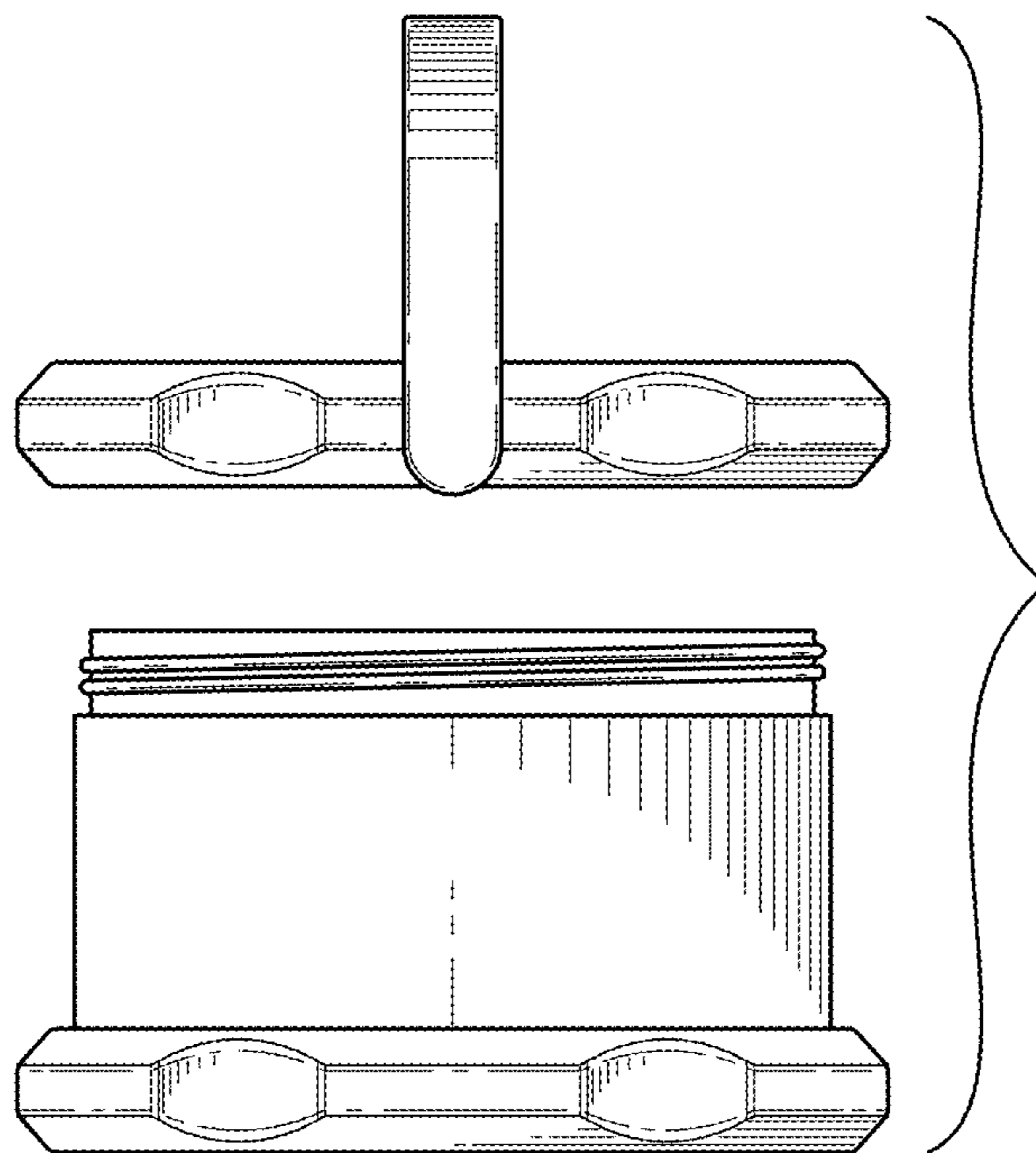


FIG. 6

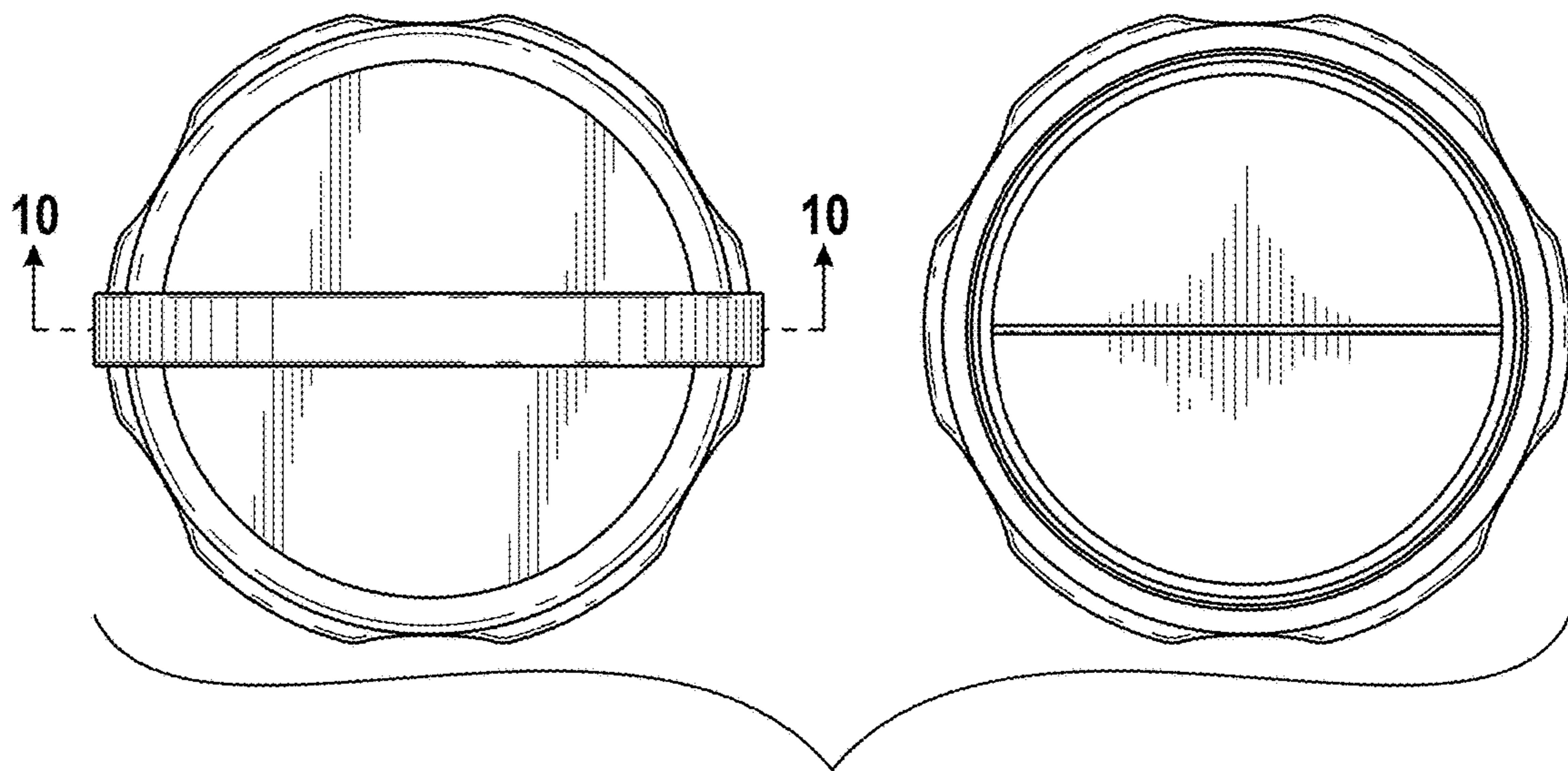


FIG. 7

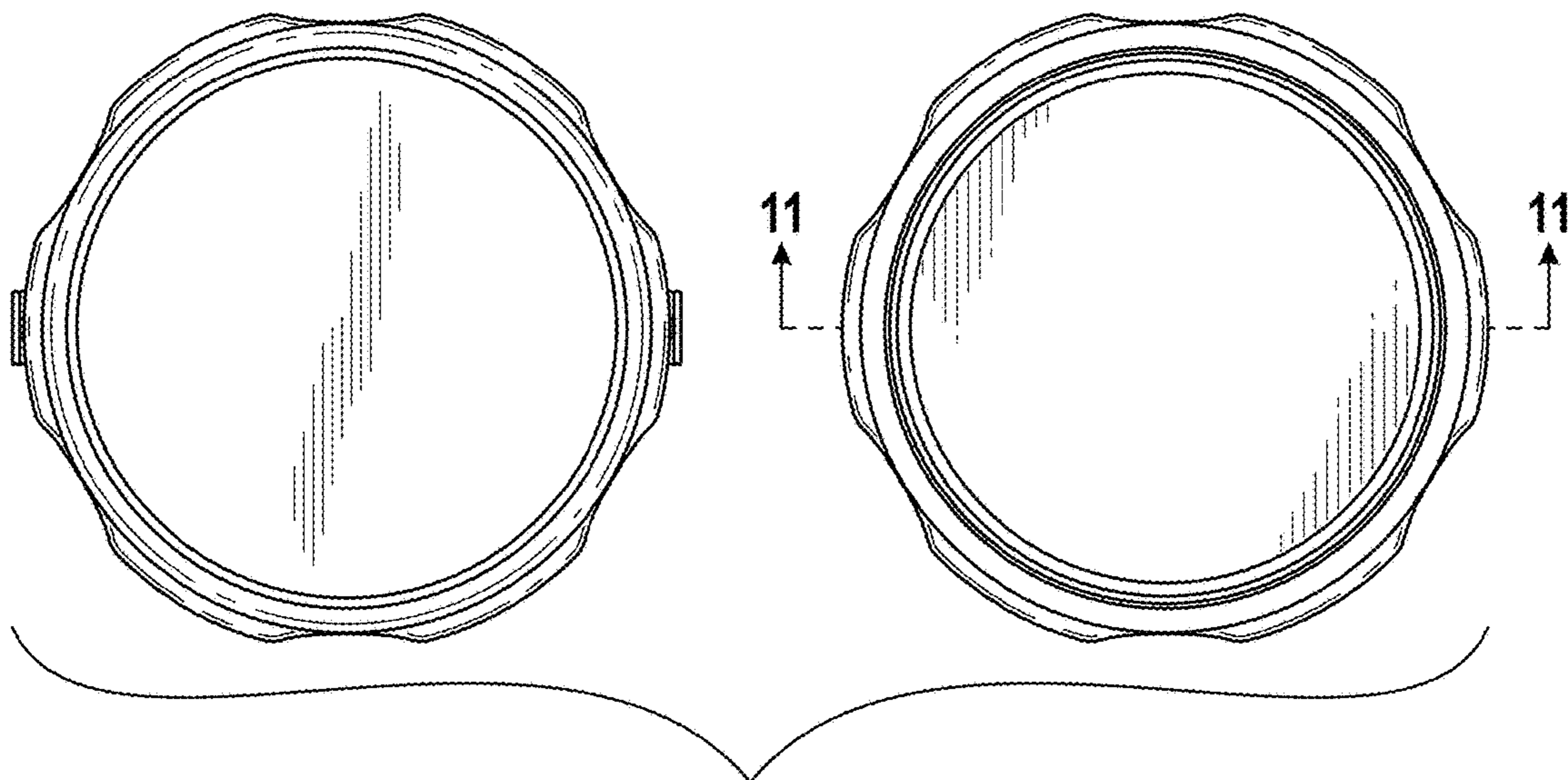


FIG. 8

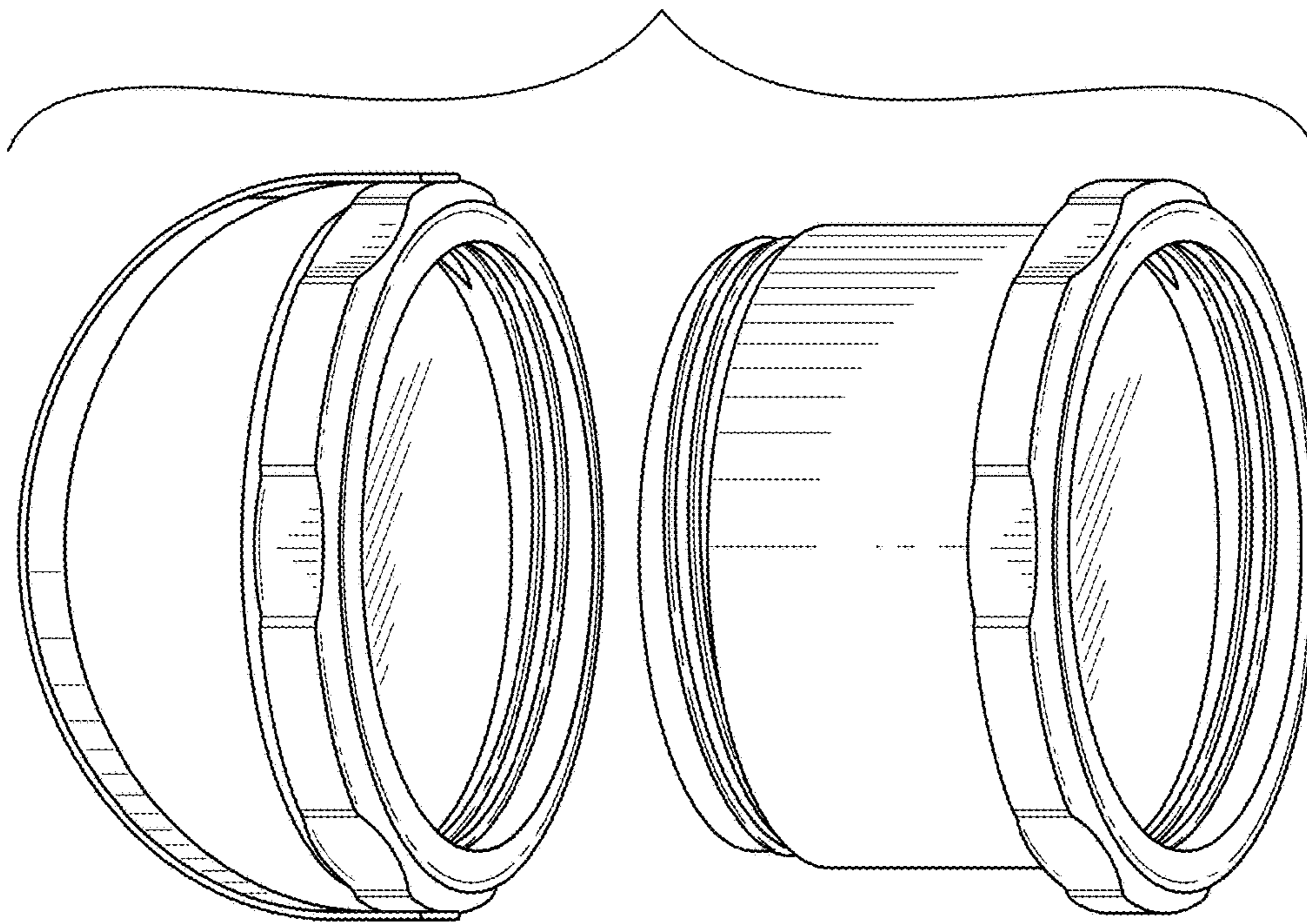


FIG. 9

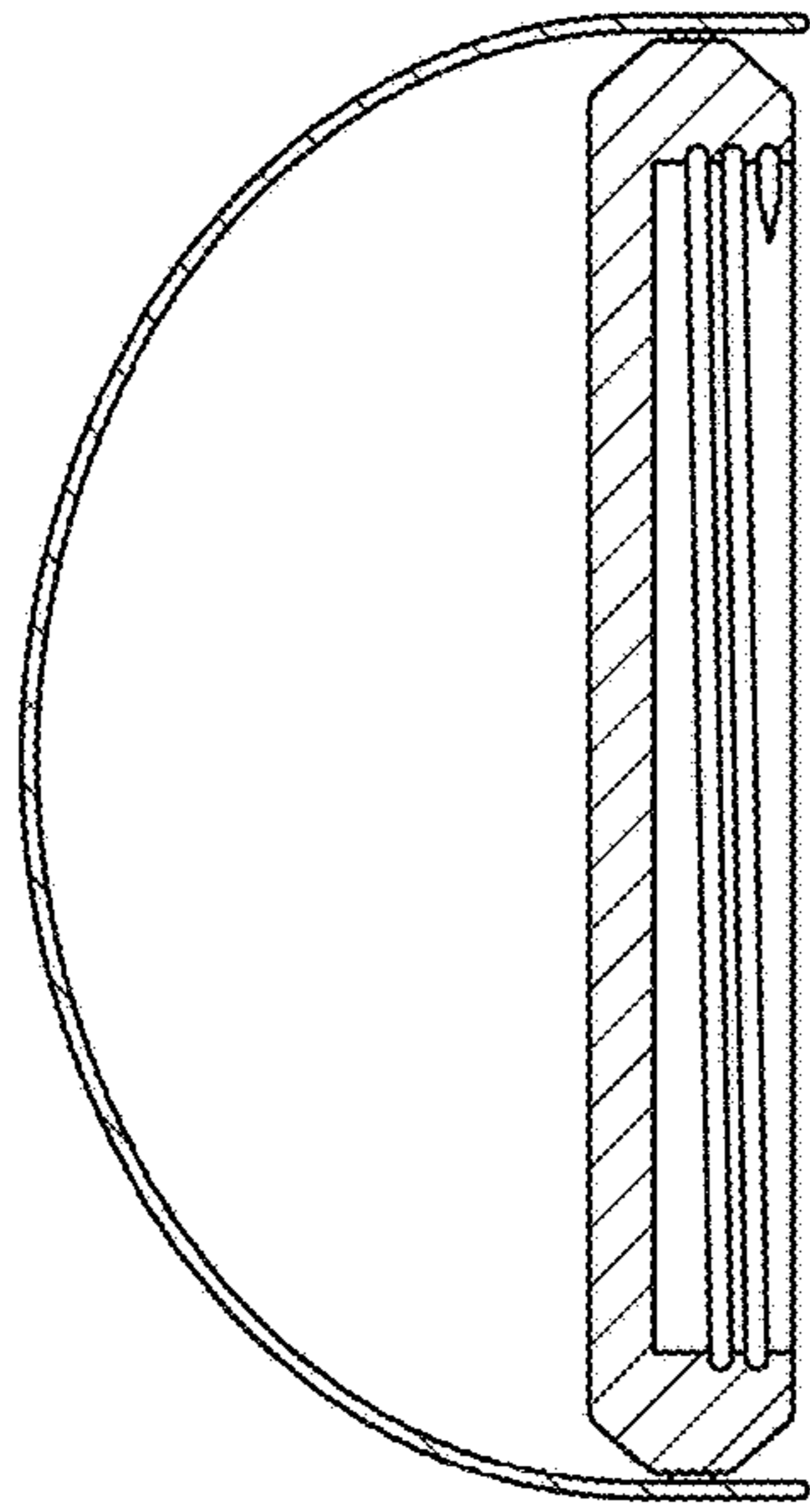


FIG. 10

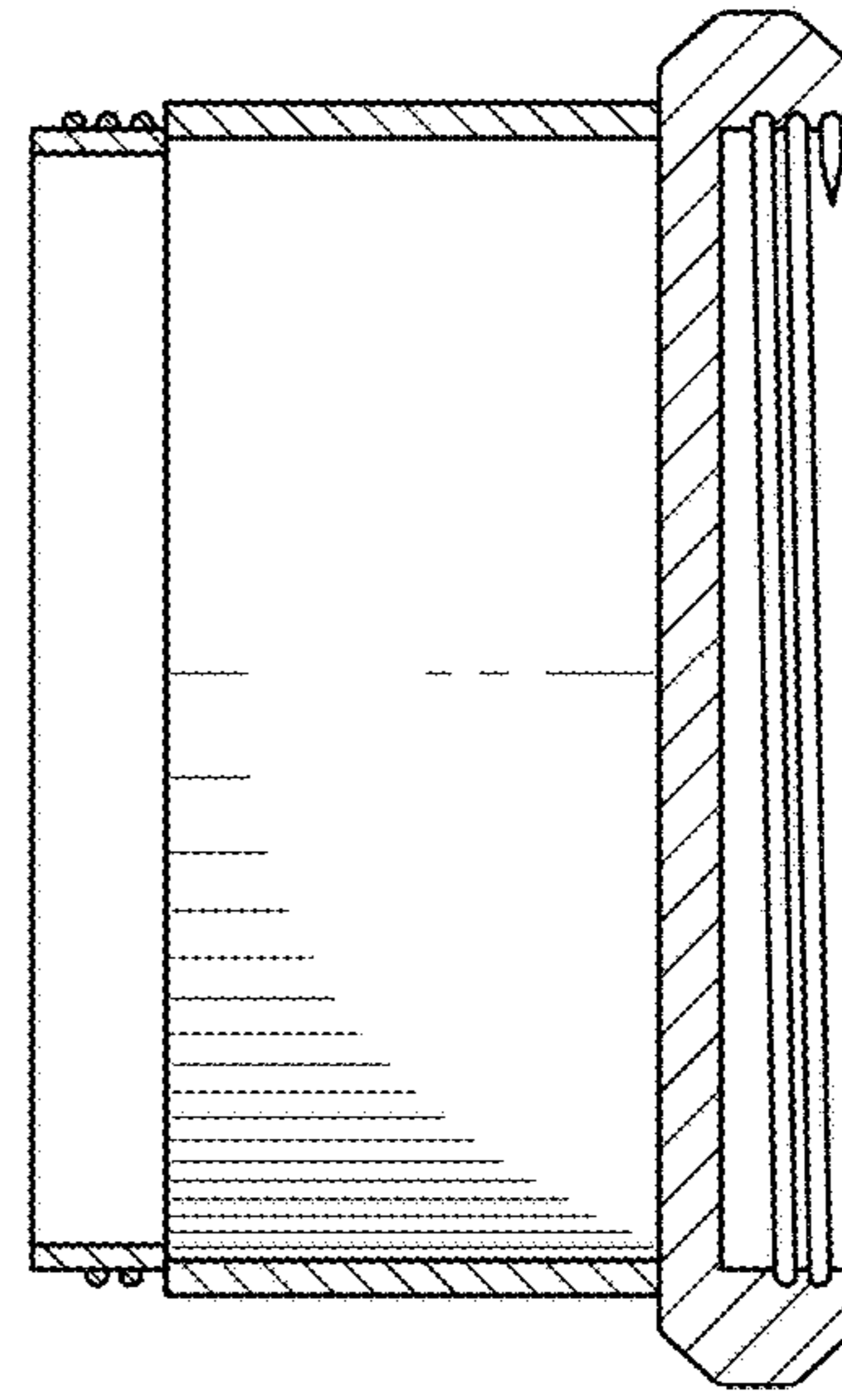


FIG. 11