



US00D794468S

(12) **United States Design Patent** (10) **Patent No.:** **US D794,468 S**
Ivie (45) **Date of Patent:** **** Aug. 15, 2017**

- (54) **CONTAINER**
- (71) Applicant: **GRAHAM ENGINEERING CORPORATION**, York, PA (US)
- (72) Inventor: **Kristopher J. Ivie**, Hallam, PA (US)
- (73) Assignee: **Graham Engineering Corporation**, York, PA (US)
- (**) Term: **14 Years**
- (21) Appl. No.: **29/509,672**
- (22) Filed: **Nov. 20, 2014**

Related U.S. Application Data

- (62) Division of application No. 29/413,107, filed on Feb. 10, 2012, now Pat. No. Des. 722,273.
- (51) **LOC (10) Cl.** **09-01**
- (52) **U.S. Cl.**
USPC **D9/560; D9/520; D9/563; D9/574**
- (58) **Field of Classification Search**
USPC D9/500, 516, 520, 549, 558-560, 563, D9/572-574, 772, 779, 530, 542, 575, D9/715, 719; 215/379, 381-383; 220/660, 669, 675
CPC B65D 1/00; B65D 1/02; B65D 1/0223; B65D 1/10; B65D 23/00; B65D 2501/00; B65D 2501/0009; B65D 2501/0081; B65D 81/00
See application file for complete search history.

References Cited

U.S. PATENT DOCUMENTS

- D33,417 S 10/1900 Lorenz
- D35,066 S 9/1901 Lorenz
- D35,068 S 9/1901 Lorenz
- D35,471 S 12/1901 Lorenz
- D248,544 S 7/1978 Saunders

- D257,314 S 10/1980 Robinson et al.
- D267,076 S 11/1982 Hurtig
- D286,379 S 10/1986 Lyons
- D286,615 S 11/1986 Lyons
- D290,811 S 7/1987 Cleveland, Jr.
- D310,025 S 8/1990 Foley
- D326,051 S * 5/1992 Frahm D9/500
- D326,608 S 6/1992 Frahm
- D423,366 S 4/2000 Gans
- D426,469 S 6/2000 Mankowski et al.
- D435,455 S 12/2000 Gans
- D455,656 S 4/2002 Gans et al.
- D482,978 S * 12/2003 Nelson D9/560
- D580,764 S 11/2008 Shale
- D601,431 S 10/2009 Diaz
- D604,639 S 11/2009 Huls et al.
- D612,257 S * 3/2010 Wurster D9/560
- D618,115 S 6/2010 Huls et al.
- D626,414 S 11/2010 Cresswell et al.
- D629,689 S 12/2010 Cresswell et al.

(Continued)

Primary Examiner — Dana L Meyrow

(74) *Attorney, Agent, or Firm* — McNeese Wallace & Nurick LLC

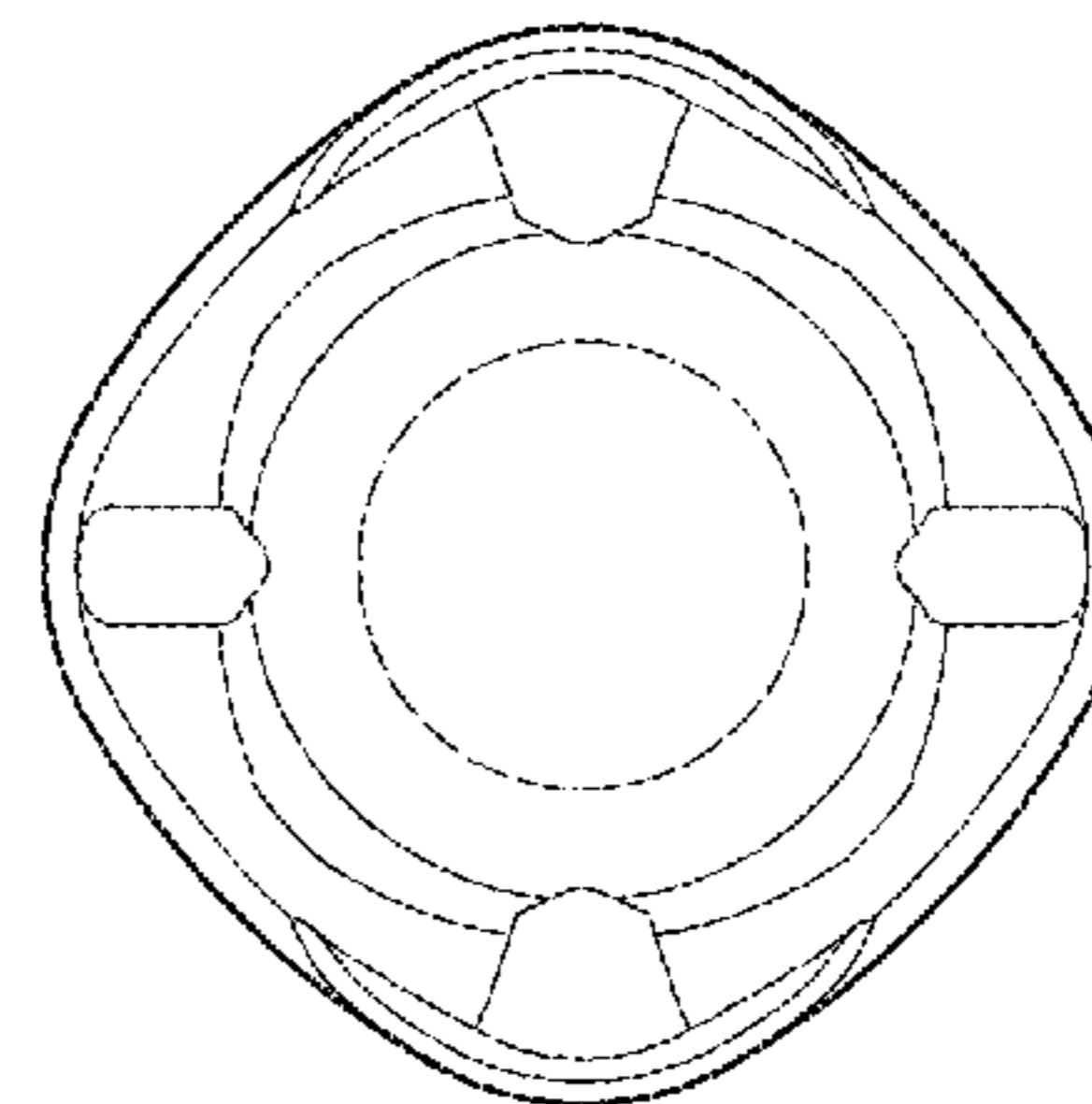
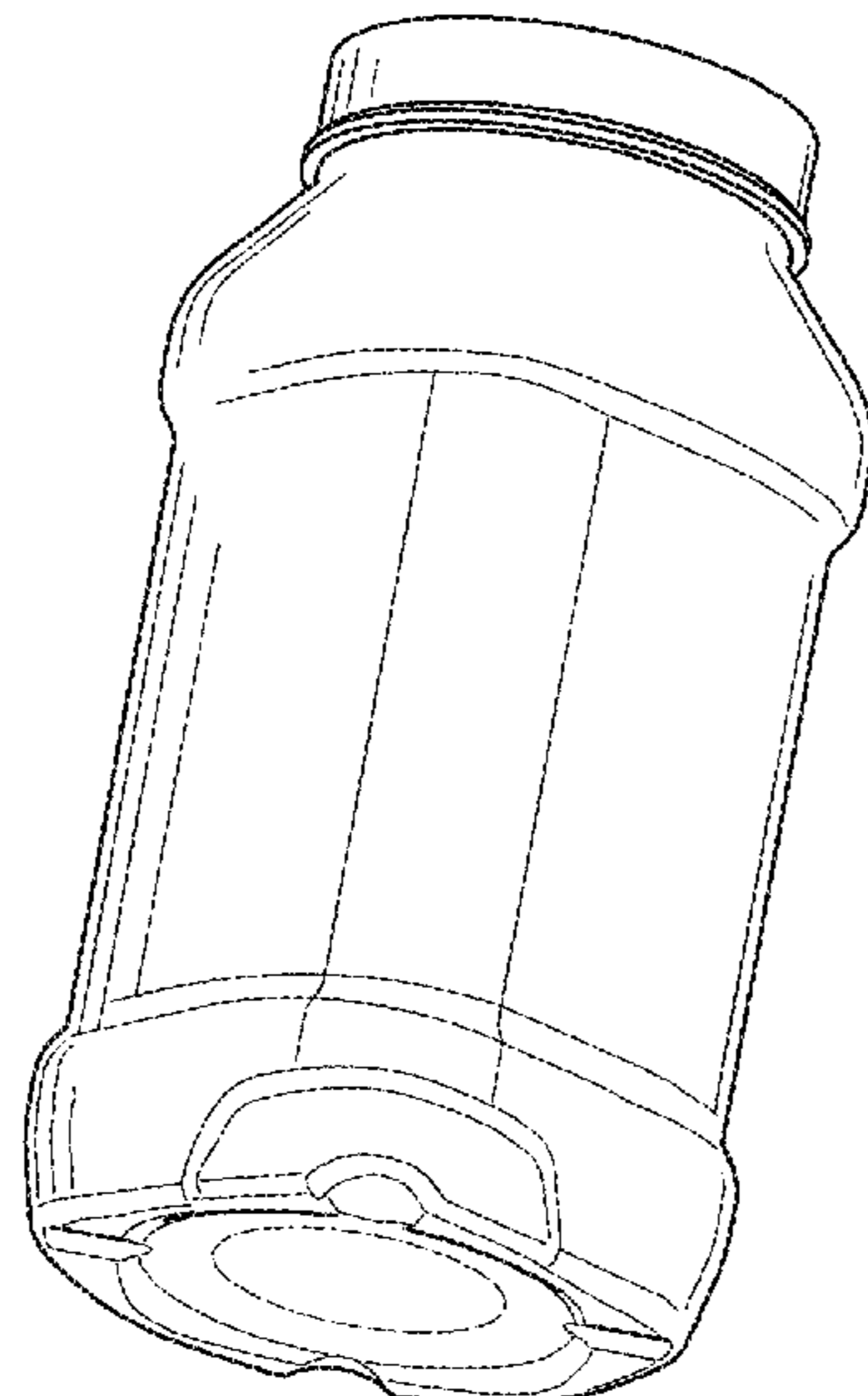
(57) **CLAIM**

The ornamental design for a container, as shown and described.

DESCRIPTION

FIG. 1 is a perspective view of a first embodiment of the container;
 FIG. 2 is a front elevation view of the container of FIG. 1, the rear elevation being identical;
 FIG. 3 is a side elevation view of the container of FIG. 1, the opposite side elevation view being identical;
 FIG. 4 is a top plan view of the container of FIG. 1; and,
 FIG. 5 is a bottom plan view of the container of FIG. 1.
 The broken lines in the drawings illustrate the portions of the container that form no part of the claim.

1 Claim, 2 Drawing Sheets



(56)

References Cited

U.S. PATENT DOCUMENTS

D633,794 S	3/2011	Cresswell et al.	
D633,795 S	3/2011	Cresswell et al.	
D633,796 S	3/2011	Cresswell et al.	
D684,483 S	6/2013	Jahina et al.	
D701,769 S *	4/2014	Eble	D9/520
D719,456 S *	12/2014	Ivie	D9/560
D722,273 S *	2/2015	Ivie	D9/500
9,033,194 B1 *	5/2015	Grabowski	B65D 83/04 222/185.1
D734,159 S *	7/2015	Brisson	D9/560
D735,046 S *	7/2015	De Lorme	D9/560
D760,088 S *	6/2016	Kaye	D9/516
D770,296 S *	11/2016	Rothfos	D9/432

* cited by examiner

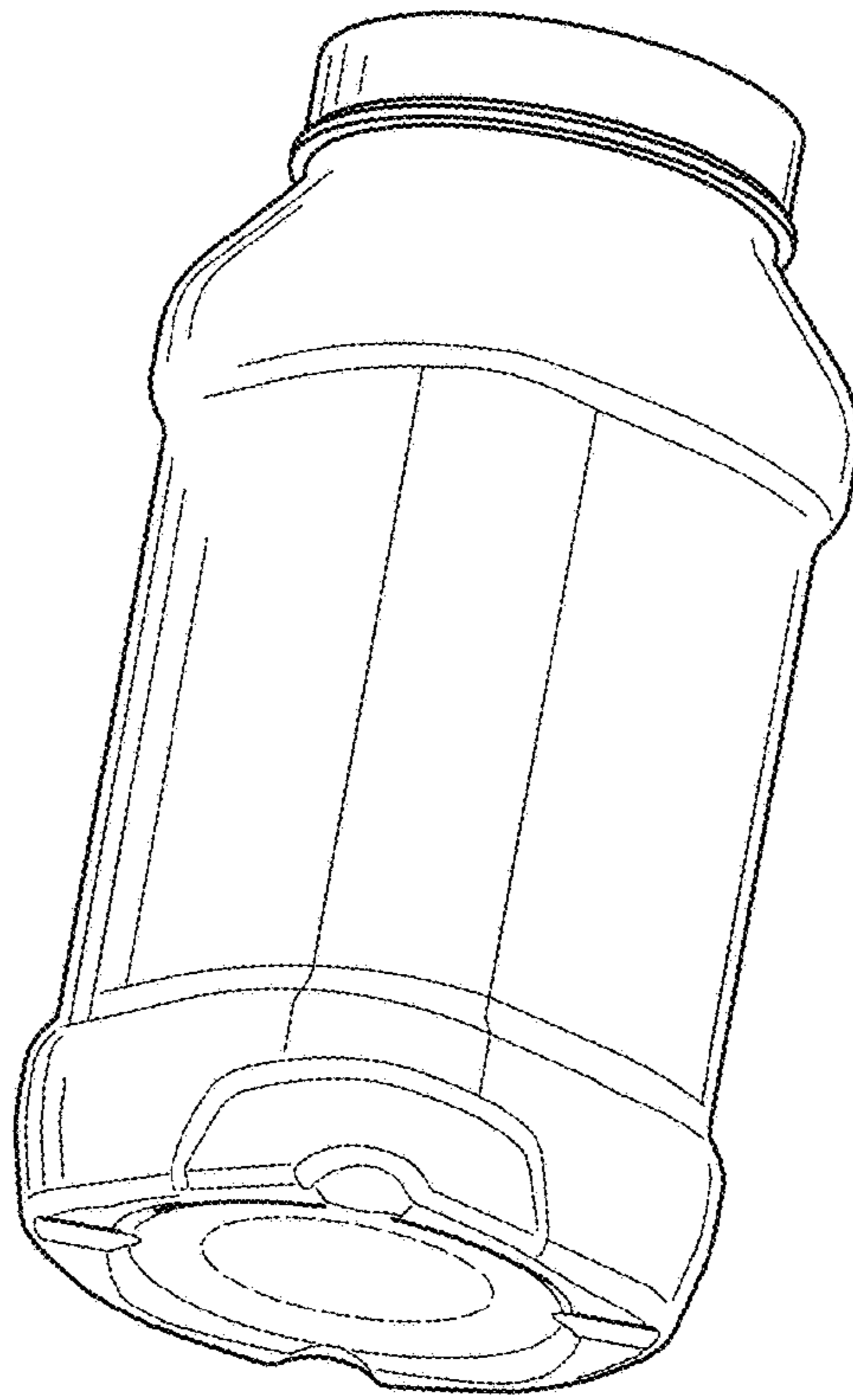


FIG. 1

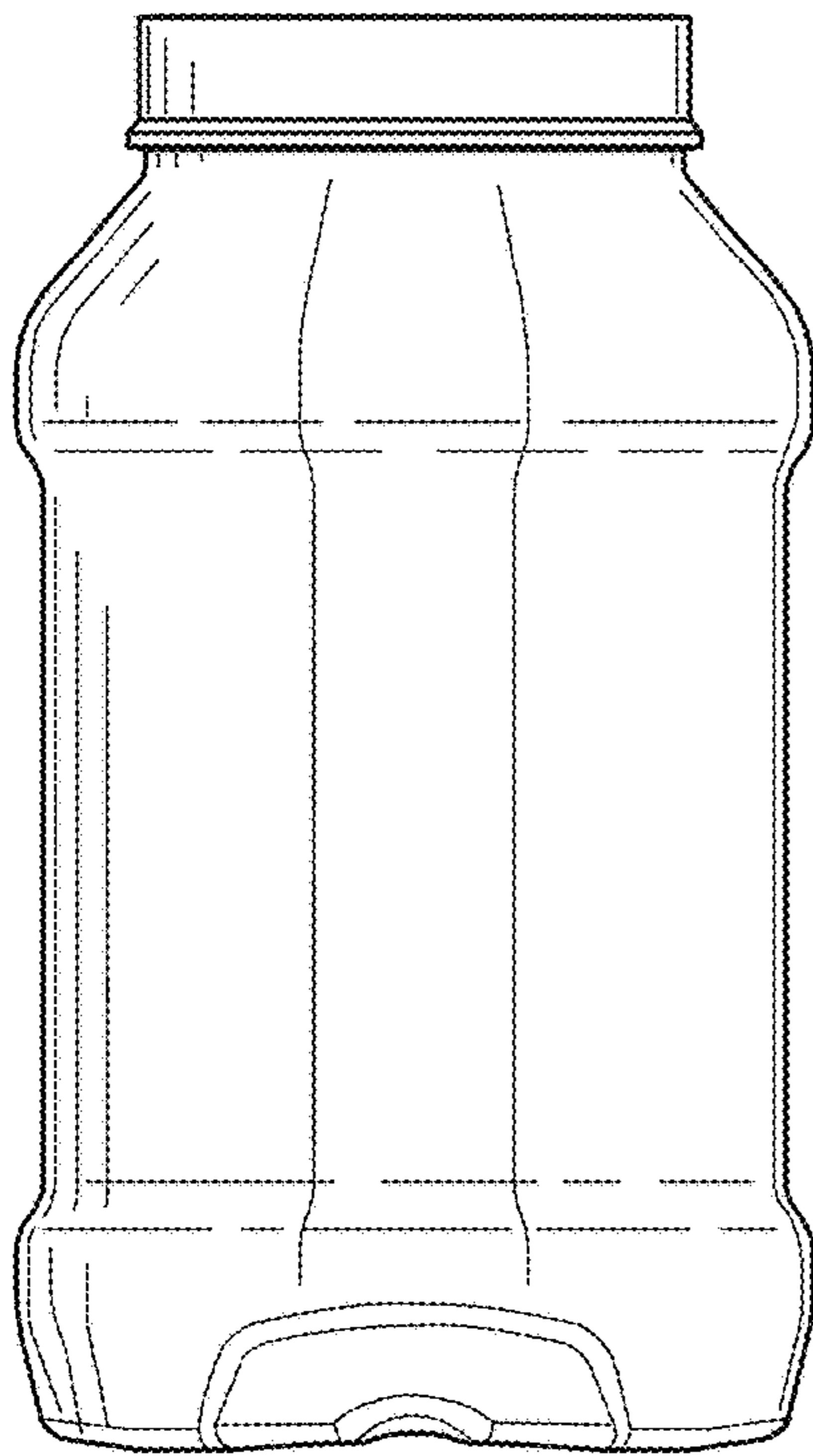


FIG. 2

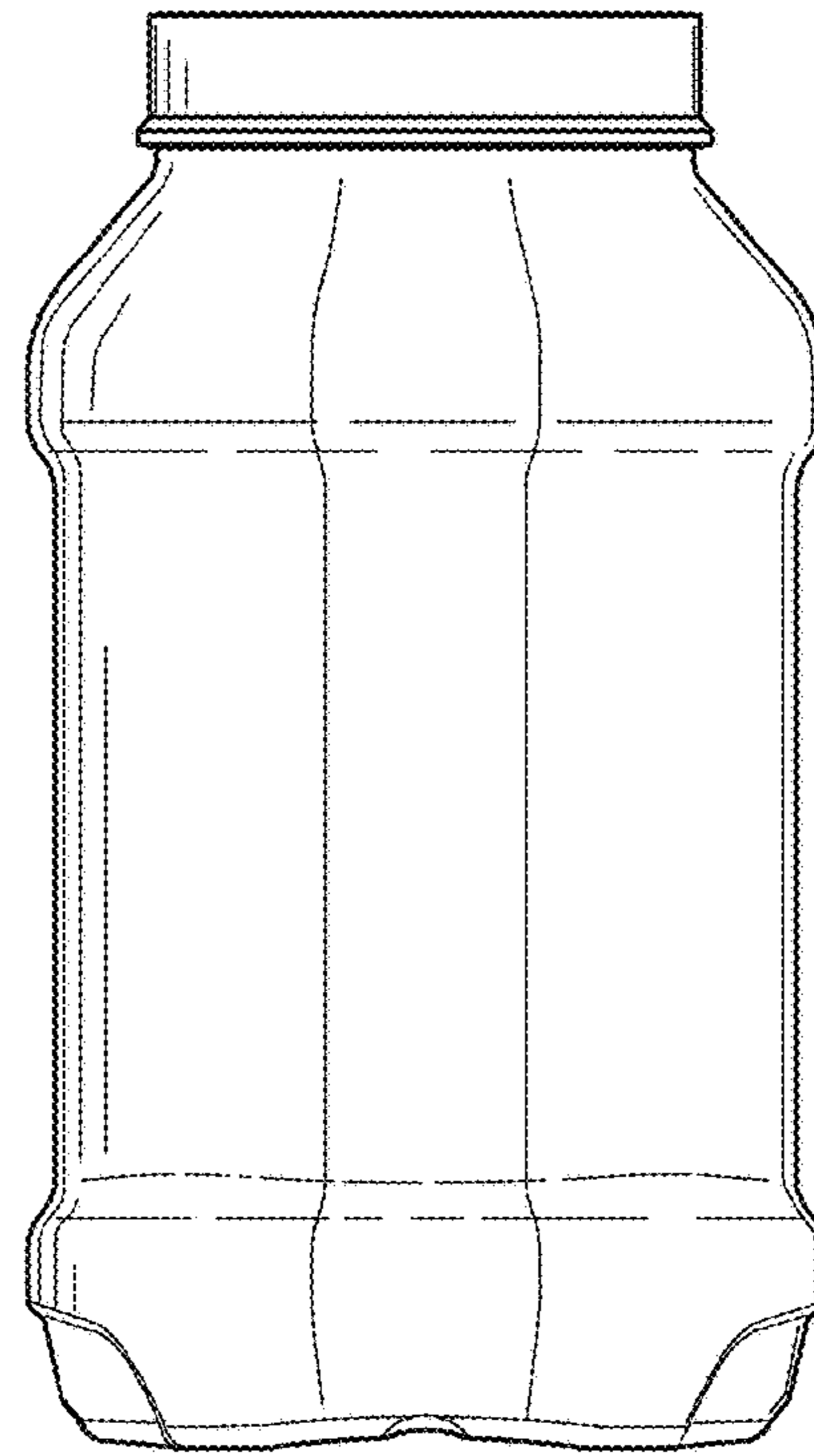


FIG. 3

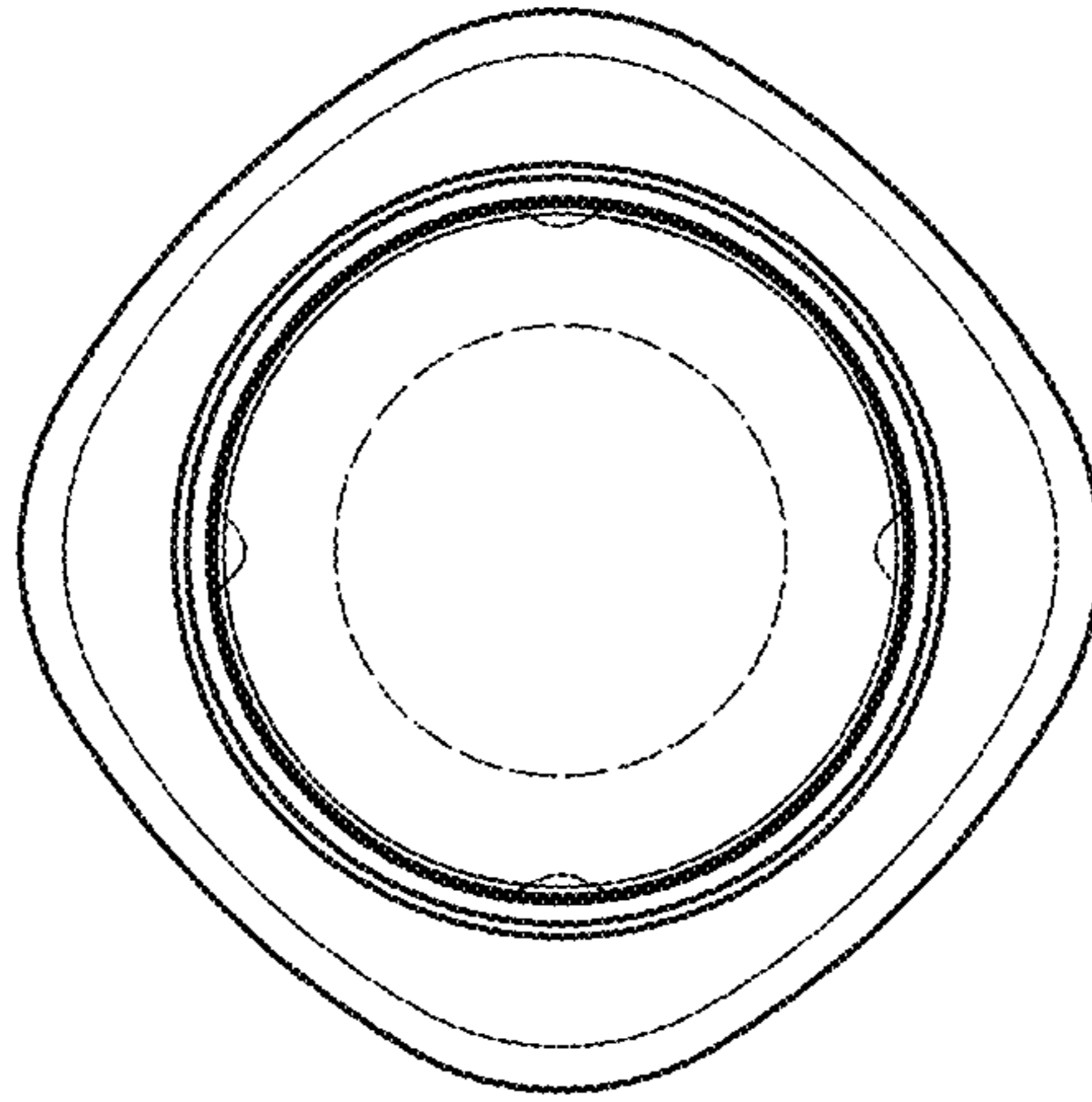


FIG. 4

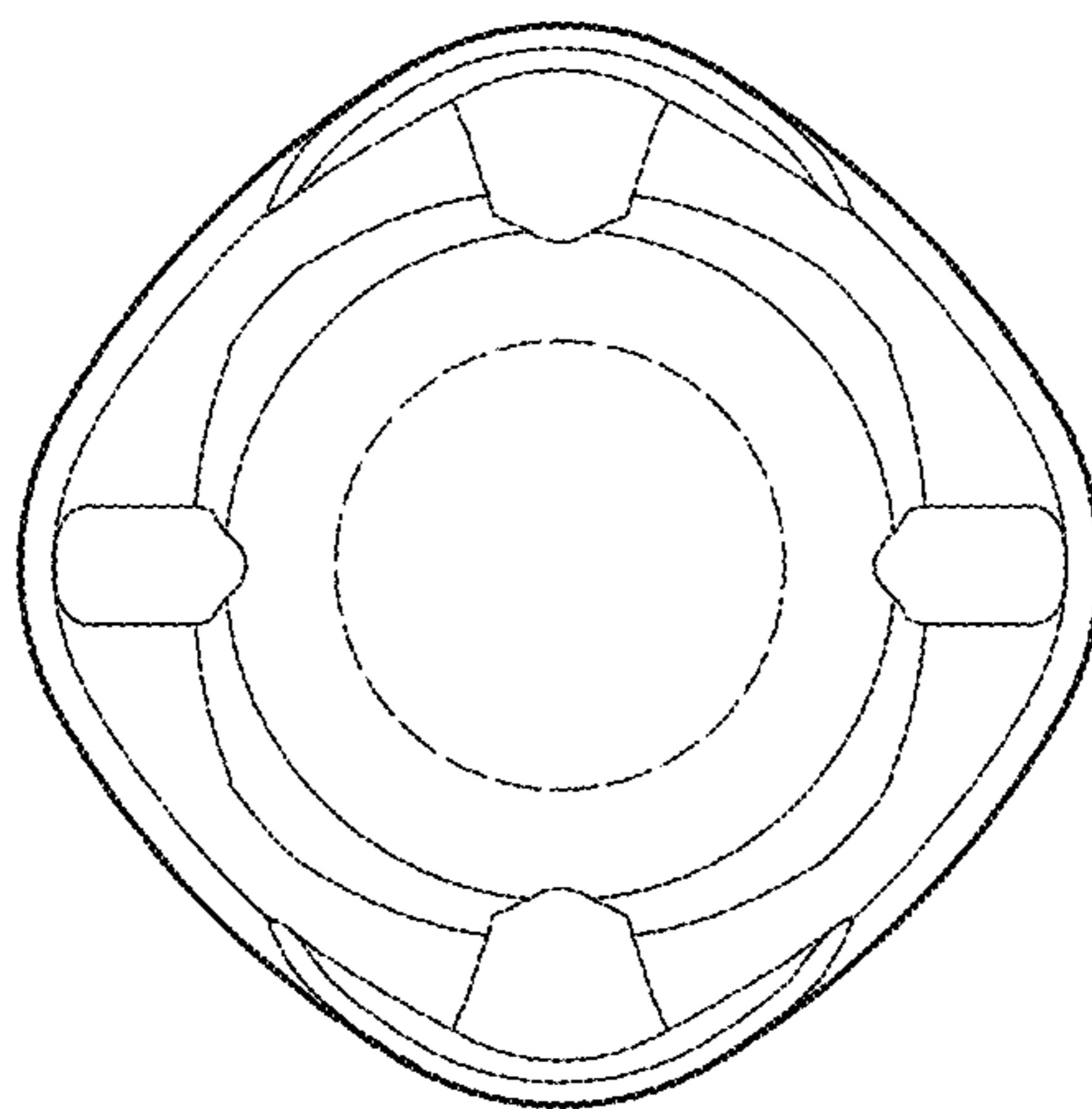


FIG. 5