

US00D794467S

(12) **United States Design Patent** (10) **Patent No.:** **US D794,467 S**
Hendrickson et al. (45) **Date of Patent:** **** Aug. 15, 2017**

(54) **CONTAINER**

(75) Inventors: **B. Everett Hendrickson**, Los Angeles, CA (US); **Timothy J. Carlson**, Arlington, VA (US); **A. Irene Hendrickson**, Los Angeles, CA (US); **Craig Severn**, Sharon (CA); **Ottmar Brandau**, Wasaga Beach (CA)

(73) Assignee: **FRIENDSHIP PRODUCTS, LLC**, Arlington, VA (US)

(**) Term: **14 Years**

(21) Appl. No.: **29/422,259**

(22) Filed: **Aug. 9, 2012**

(51) **LOC (10) Cl.** **09-01**

(52) **U.S. Cl.**
USPC **D9/559**

(58) **Field of Classification Search**
USPC D9/640, 738-747, 767, 772-775, 516, D9/529-530, 537-543, 549, 554, 556, D9/558, 559-61, 569-570, 572-575, D9/559-561; 215/10, 381-385; 220/23.4, 660, 669, 675; D8/349-399
See application file for complete search history.

3,307,729 A 3/1967 Schwartz
D208,380 S * 8/1967 Schnur D9/529 X
3,369,658 A 2/1968 Hasselmann
3,374,917 A * 3/1968 Troy 220/23.4
3,391,824 A 7/1968 Wiseman
3,763,980 A * 10/1973 Vom Stein et al. 220/23.4 X
3,815,281 A 6/1974 Kander
3,944,074 A 3/1976 Riley
3,994,408 A 11/1976 Belitzky
4,003,491 A 1/1977 Wells et al.
D244,992 S * 7/1977 Van der Veken D9/741 X
D249,230 S * 9/1978 Van Der Veken D9/715 X
D249,232 S * 9/1978 Van der Veken D9/640
4,258,847 A 3/1981 Nierman
D260,609 S * 9/1981 Courreges D9/554
D260,858 S * 9/1981 Courreges D9/556 X
4,308,955 A 1/1982 Schieser
4,363,415 A 12/1982 Rainville
4,573,595 A * 3/1986 Mednis 215/383 X

(Continued)

Primary Examiner — Philip S Hyder
Assistant Examiner — Cary M Robinson
(74) *Attorney, Agent, or Firm* — Sheets Law Office, LLC; Kendal M. Sheets

(57) **CLAIM**

The ornamental design for a container, as shown and described.

DESCRIPTION

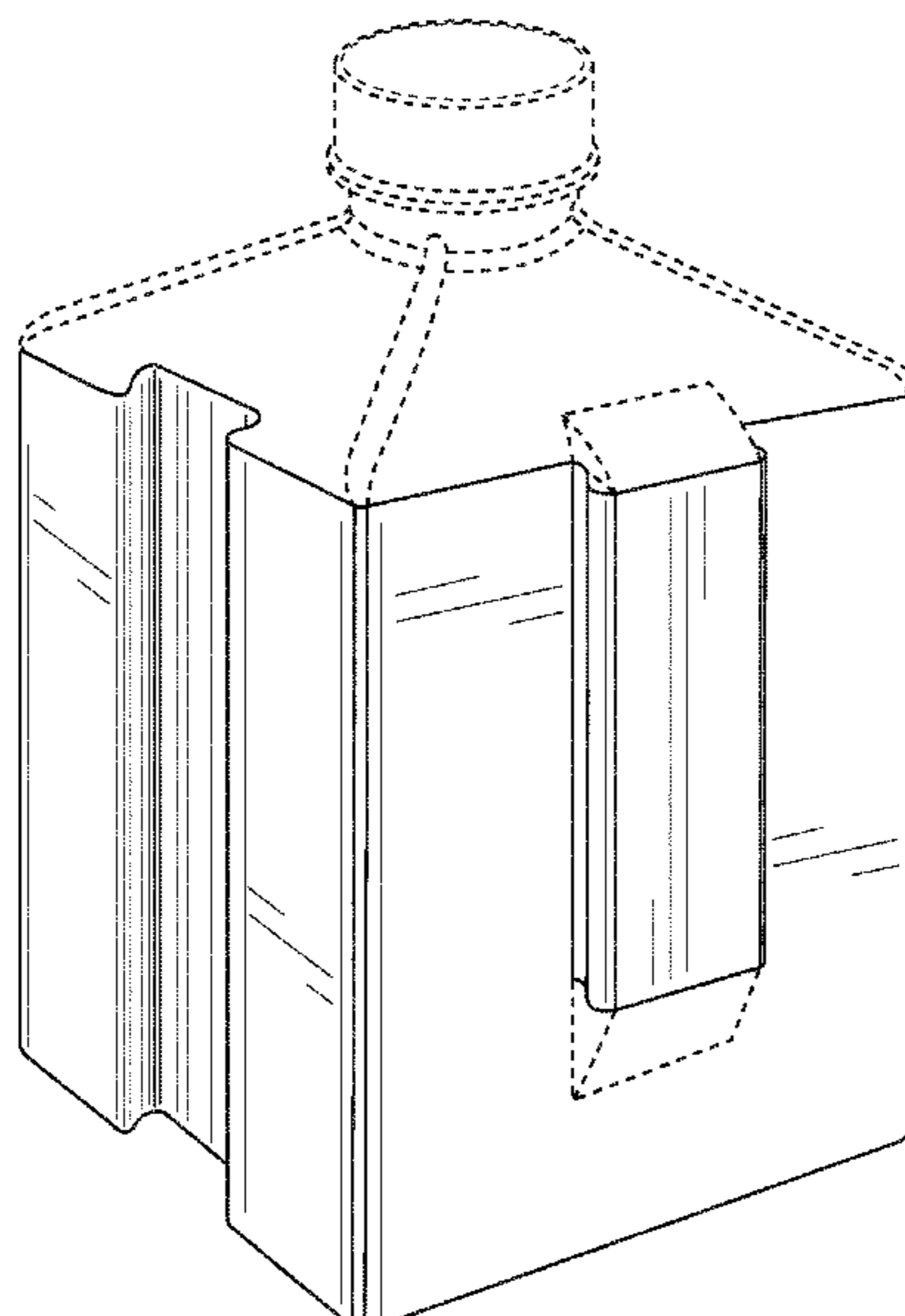
FIG. 1 is a perspective view of the design from a top side thereof; and,
FIG. 2 is a bottom view thereof.
The broken lines in the flared portions of the protruding columns of the container illustrate a boundary of the claim and form no part of the claimed design. The remaining broken lines shown on the container in the drawing views illustrate portions of the container in which the design is embodied that form no part of the claimed design.

1 Claim, 2 Drawing Sheets

(56) **References Cited**

U.S. PATENT DOCUMENTS

D88,905 S * 1/1933 Dreyfuss D9/556 X
D91,247 S * 12/1933 Mengle D9/556
D107,689 S * 12/1937 Lloyd D9/554
2,753,077 A 10/1952 Greco
2,641,374 A * 6/1953 Der Yuen 215/10
2,994,450 A * 8/1961 De Van et al. 217/29
3,194,426 A 7/1965 Brown
D203,007 S * 11/1965 Adel D9/520
D205,552 S * 8/1966 Meyers D9/541 X
D206,026 S * 10/1966 Miller D9/556



(56)

References Cited

U.S. PATENT DOCUMENTS

4,624,383 A 11/1986 Moore
 4,685,565 A 8/1987 Sparling
 D300,303 S * 3/1989 Sparling D9/743
 4,889,254 A 12/1989 Vola
 4,966,298 A 10/1990 Von Holdt
 5,050,755 A 9/1991 Strawder
 5,135,823 A 8/1992 Eales
 D341,781 S 11/1993 Sanyal
 5,271,515 A 12/1993 Berkheimer et al.
 5,310,071 A 5/1994 Rivlin et al.
 5,316,159 A 5/1994 Douglas et al.
 5,381,916 A * 1/1995 Strawder 220/23.4
 5,402,903 A * 4/1995 Mann B65D 81/361
 220/23.6
 5,503,288 A 4/1996 Conconi
 D374,998 S * 10/1996 Ko D6/440
 5,638,974 A 6/1997 Mann
 5,766,536 A 6/1998 Felder
 D407,020 S 3/1999 Doty
 6,045,746 A 4/2000 Komine et al.
 6,047,827 A * 4/2000 Huang 220/23.4 X
 D437,366 S 2/2001 Stemmler
 D439,156 S 3/2001 Hall et al.
 6,276,549 B1 8/2001 Fasci et al.
 D464,887 S 10/2002 Sherwell

6,719,161 B1 4/2004 Craig
 D586,225 S * 2/2009 Devereaux D9/569 X
 7,614,515 B2 11/2009 Furusawa et al.
 D624,825 S * 10/2010 Coulton D9/560
 8,201,699 B2 6/2012 Zummo et al.
 8,348,077 B2 * 1/2013 Wimmer B65B 17/02
 220/23.4
 8,631,963 B2 * 1/2014 Lane B65D 1/0223
 215/381
 8,873,239 B2 * 10/2014 McRae G06F 1/1656
 361/728
 8,961,606 B2 * 2/2015 Laskowitz A61F 2/4455
 623/17.16
 RE45,448 E * 4/2015 Becklin 220/23.83 X
 9,108,764 B2 * 8/2015 Gegembauer B65D 1/0292
 9,156,235 B2 * 10/2015 Roth B29C 53/564
 9,230,360 B2 * 1/2016 Jakobsen G06T 15/40
 2005/0011853 A1 1/2005 Brugger
 2006/0059838 A1 3/2006 Pimental
 2006/0096942 A1 * 5/2006 Lane B65D 21/0202
 215/10
 2006/0261063 A1 * 11/2006 Dyehouse 220/23.4
 2007/0098935 A1 5/2007 Farran et al.
 2009/0045157 A1 * 2/2009 Panchal et al. 215/10
 2009/0090647 A1 * 4/2009 Panchal et al. 206/504
 2010/0308043 A1 * 12/2010 Wimmer 220/669 X
 2012/0118848 A1 * 5/2012 Hendrickson et al. 215/40

* cited by examiner

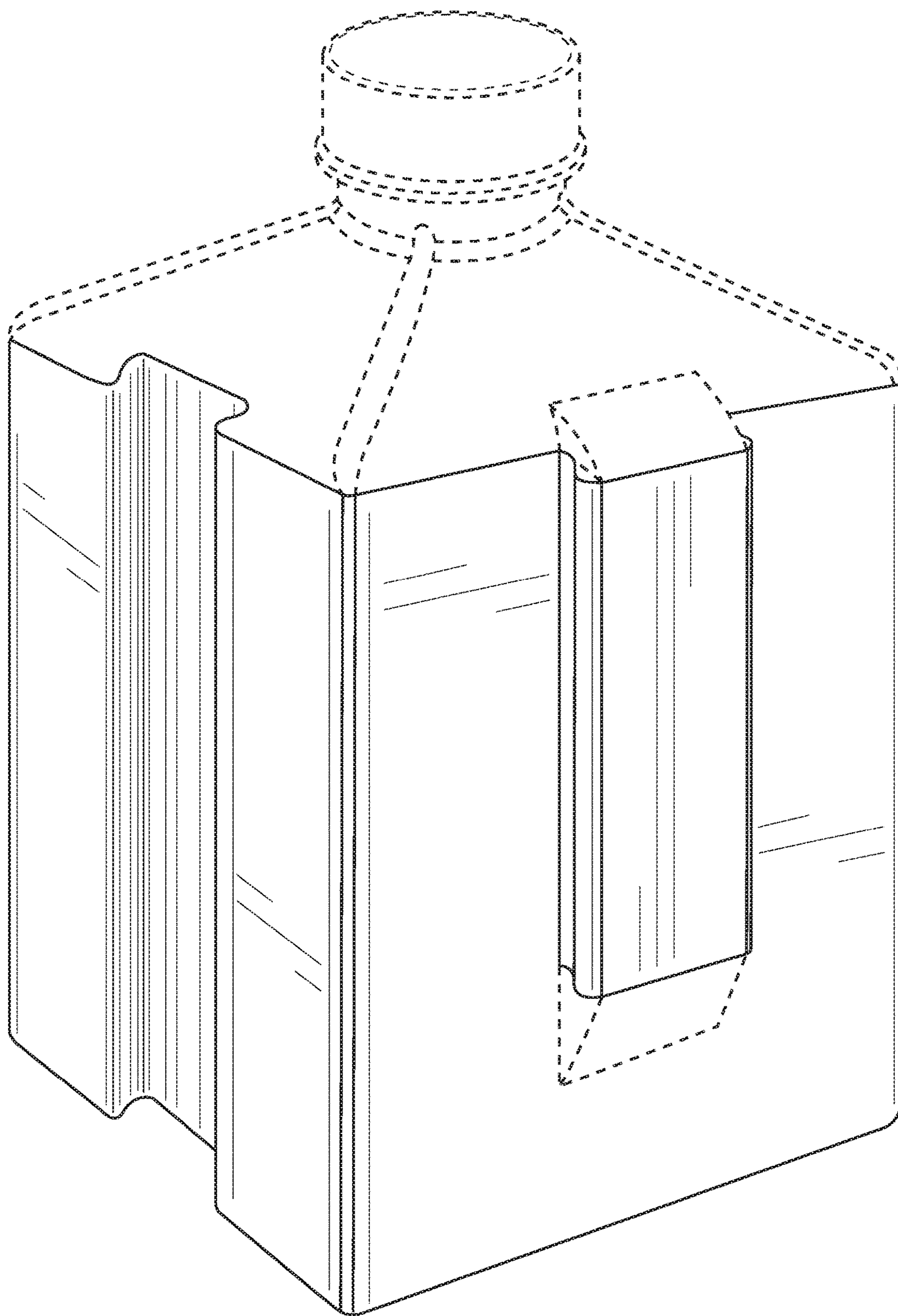


FIG. 1

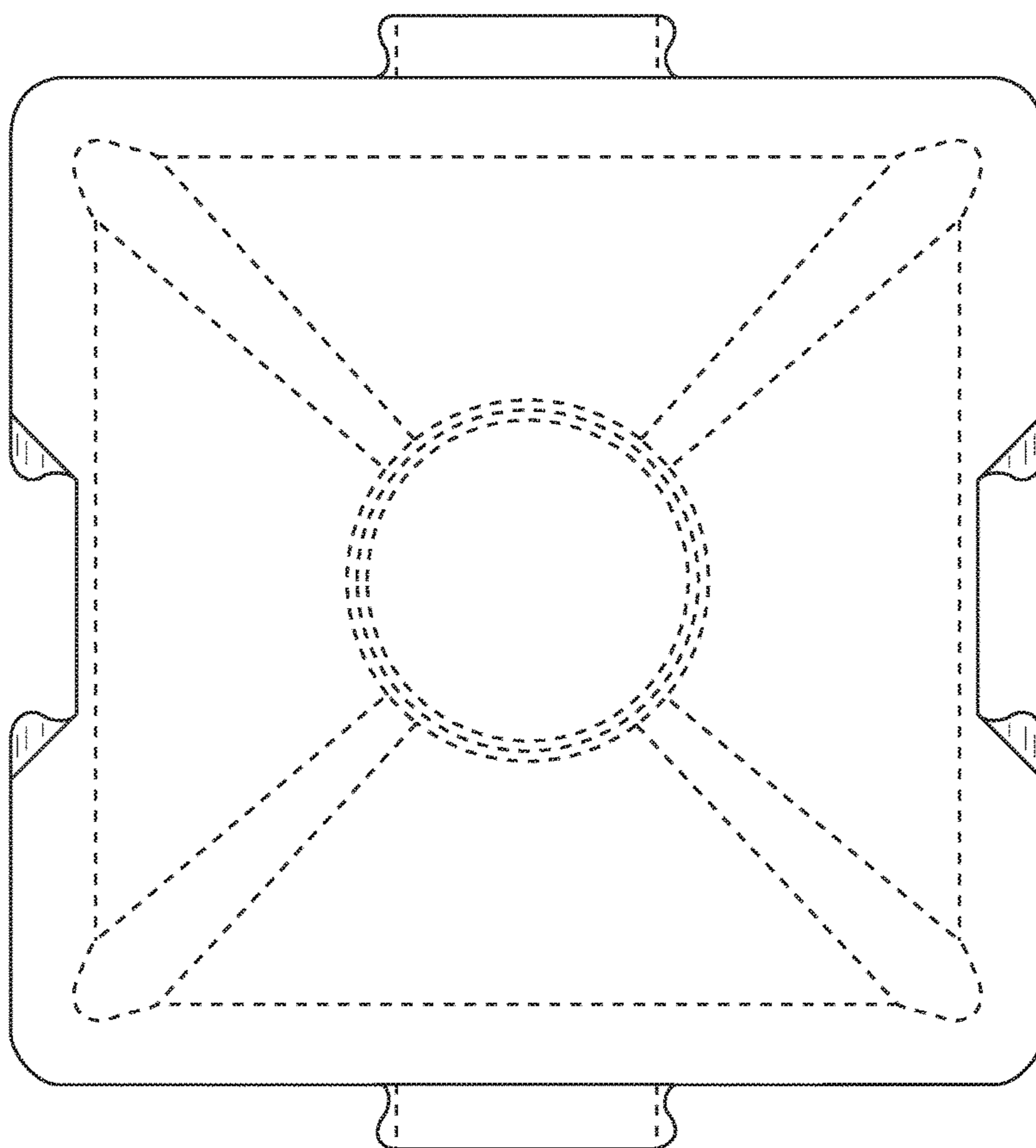


FIG. 2