



US00D794463S

(12) **United States Design Patent**  
**Turi et al.**

(10) **Patent No.:** **US D794,463 S**

(45) **Date of Patent:** **\*\* Aug. 15, 2017**

- (54) **DETERGENT CONTAINER**
- (71) Applicant: **FRANKE KAFFEEMASCHINEN AG**, Aarburg (CH)
- (72) Inventors: **Mariano Turi**, Zurich (CH); **Heinz Vetterli**, Wangen (CH)
- (73) Assignee: **Franke Kaffeemaschinen AG**, Aarburg (CH)
- (\*\*) Term: **15 Years**
- (21) Appl. No.: **35/500,949**
- (22) Filed: **Feb. 11, 2016**
- (80) **Hague Agreement Data**  
 Int. Filing Date: **Feb. 11, 2016**  
 Int. Reg. No.: **DM/090416**  
 Int. Reg. Date: **Feb. 11, 2016**  
 Int. Reg. Pub. Date: **May 13, 2016**

- D320,345 S \* 10/1991 Hamly ..... D9/522
- D349,651 S \* 8/1994 Saffer ..... D9/528
- D373,534 S \* 9/1996 Lathrop ..... D9/528
- D376,761 S \* 12/1996 Lathrop ..... D9/528
- D376,876 S \* 12/1996 McInnes ..... D30/121
- D378,651 S \* 4/1997 Marion ..... D7/605
- 5,884,802 A \* 3/1999 Leibowitz ..... B65D 25/2882  
220/771
- D466,413 S \* 12/2002 Justice ..... D9/531
- D514,940 S \* 2/2006 Darr ..... D9/523
- 7,182,214 B2 \* 2/2007 Darr ..... B65D 1/0223  
215/365
- D547,662 S \* 7/2007 Hankins ..... D9/530
- D589,351 S \* 3/2009 Caldwell ..... D9/531
- D595,137 S \* 6/2009 Bates ..... D9/531
- D621,713 S \* 8/2010 Wilkum ..... D9/528
- D626,846 S \* 11/2010 Schlies ..... D9/528
- D629,694 S \* 12/2010 Heisner ..... D9/528
- D658,499 S \* 5/2012 Wycoff ..... D9/528
- D686,882 S \* 7/2013 Chiu ..... D7/605
- D696,128 S \* 12/2013 Lindsay ..... D9/528
- D696,589 S \* 12/2013 Soller ..... D9/528
- D762,486 S \* 8/2016 Meier ..... D9/719

(Continued)

Primary Examiner — Darlington Ly

(74) *Attorney, Agent, or Firm* — Volpe and Koenig, P.C.

- (30) **Foreign Application Priority Data**  
 Aug. 24, 2015 (EM) ..... 002759415
- (51) **LOC (10) Cl.** ..... **09-01**
- (52) **U.S. Cl.**  
 USPC ..... **D9/528**
- (58) **Field of Classification Search**  
 USPC ..... D9/516, 520, 523, 528, 530, 531, 533,  
 D9/572, 575, 715, 719; D23/211.1  
 CPC ... B65D 1/12; B65D 1/18; B65D 1/20; B65D  
 21/0237; B65D 85/00; F16N 3/04  
 See application file for complete search history.

(57) **CLAIM**

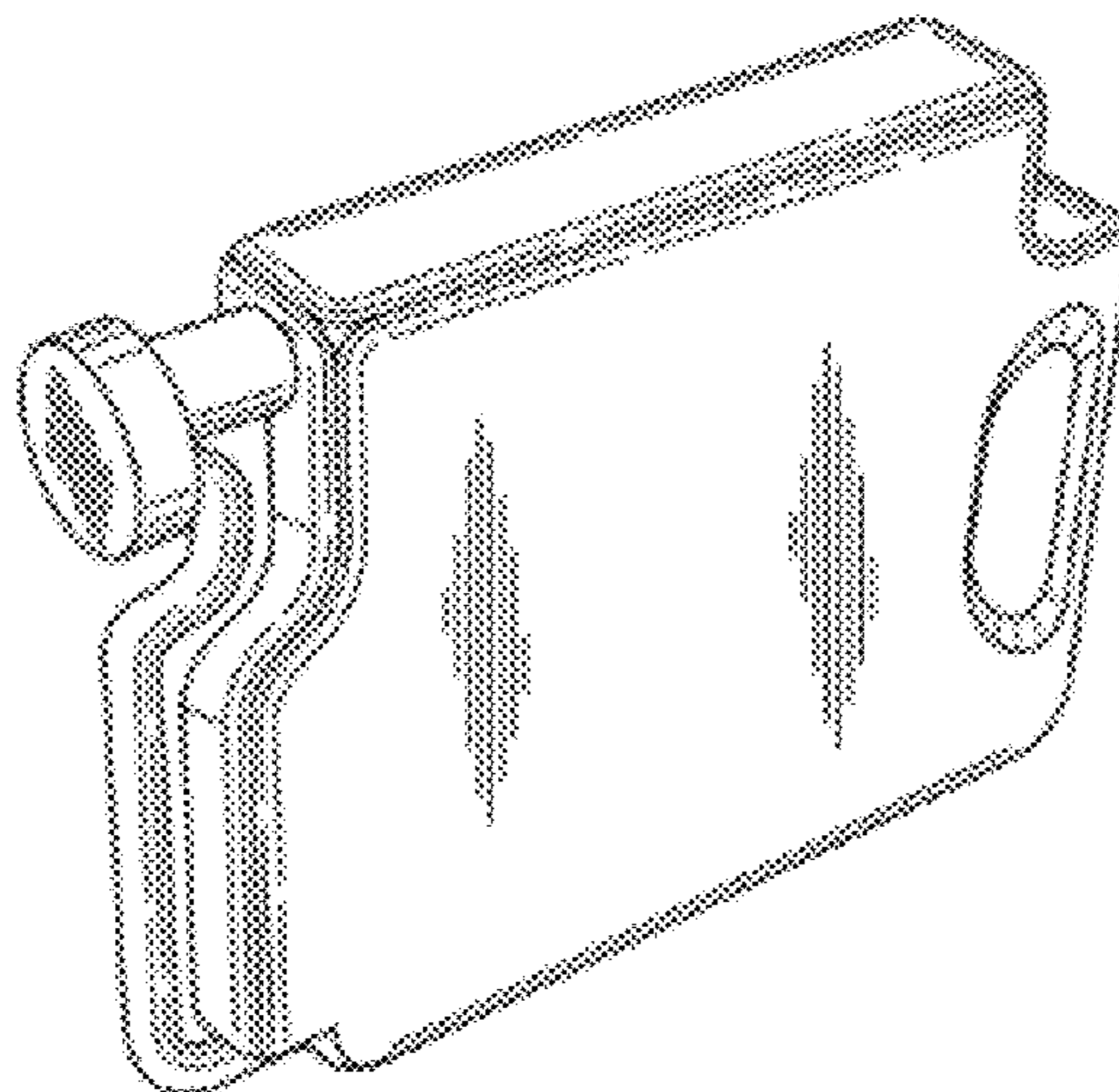
The ornamental design for a detergent container, as shown and described.

**DESCRIPTION**

- 1. Detergent container
- 1.1 is a top, front, and right side perspective view of a detergent container showing our new design;
- 1.2 is right side elevational view thereof;
- 1.3 is a left side elevational view thereof;
- 1.4 is a front elevational view thereof;
- 1.5 is a rear elevational view thereof;
- 1.6 is a top plan view thereof; and
- 1.7 is a bottom plan view thereof.

- (56) **References Cited**  
 U.S. PATENT DOCUMENTS  
 D257,952 S \* 1/1981 Torongo, Jr. .... D9/528  
 4,969,571 A \* 11/1990 Bartz ..... B65D 1/20  
 215/382

**1 Claim, 7 Drawing Sheets**



(56)

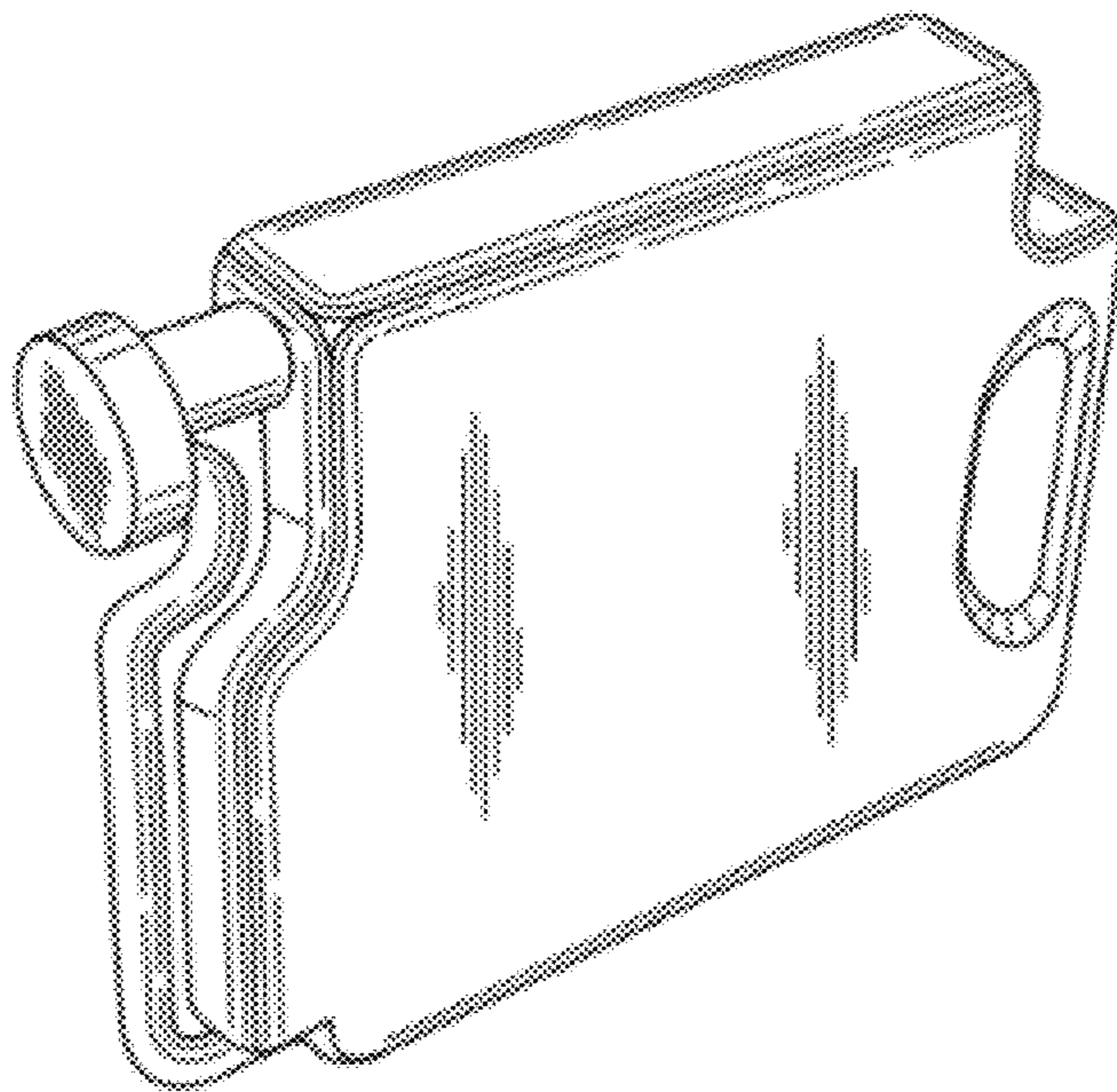
**References Cited**

U.S. PATENT DOCUMENTS

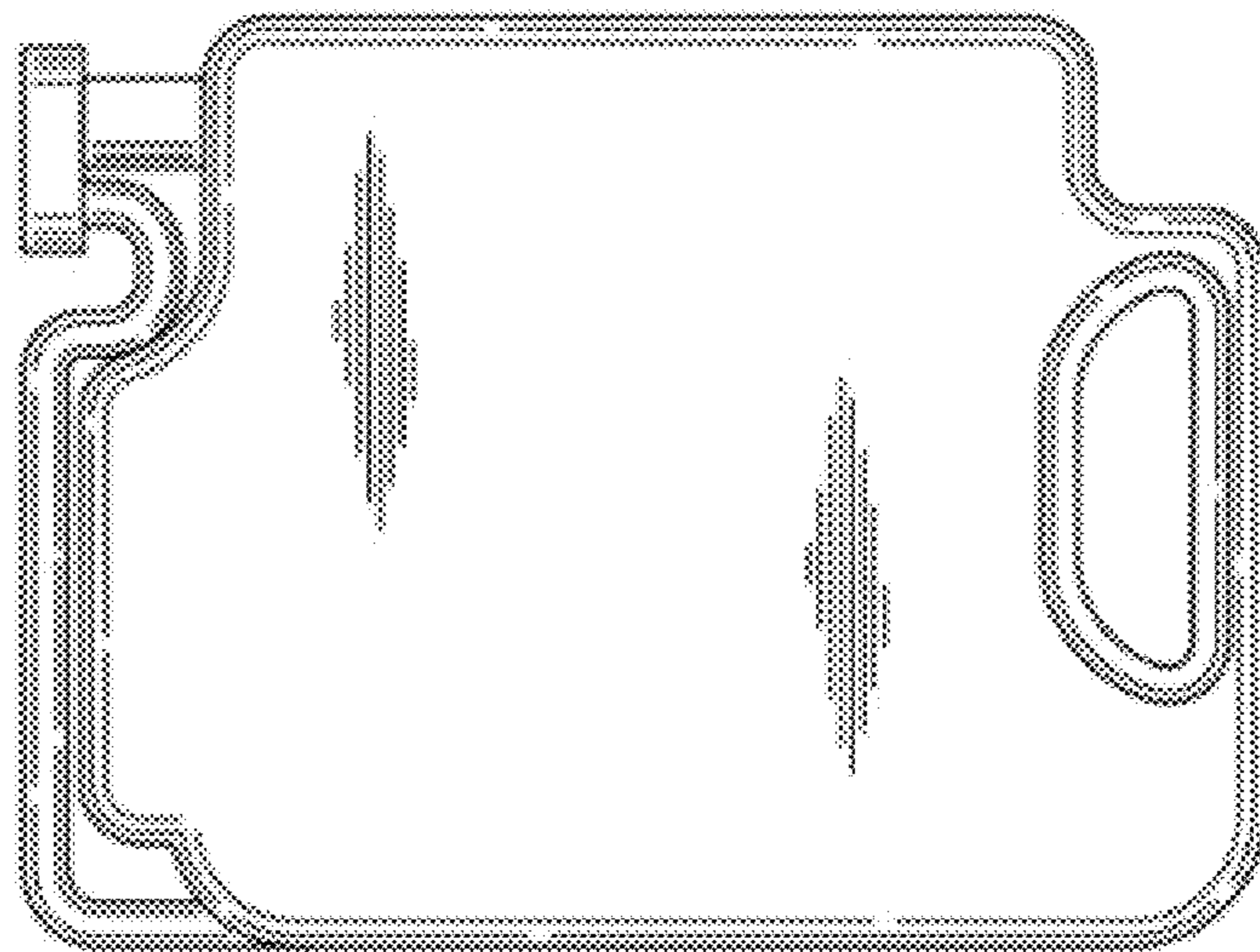
2006/0037929 A1\* 2/2006 Darr ..... B65D 1/0223  
215/396  
2010/0059536 A1\* 3/2010 Stolk ..... B65D 25/2885  
220/771  
2010/0237086 A1\* 9/2010 Matsumura ..... B65D 23/10  
220/752

\* cited by examiner

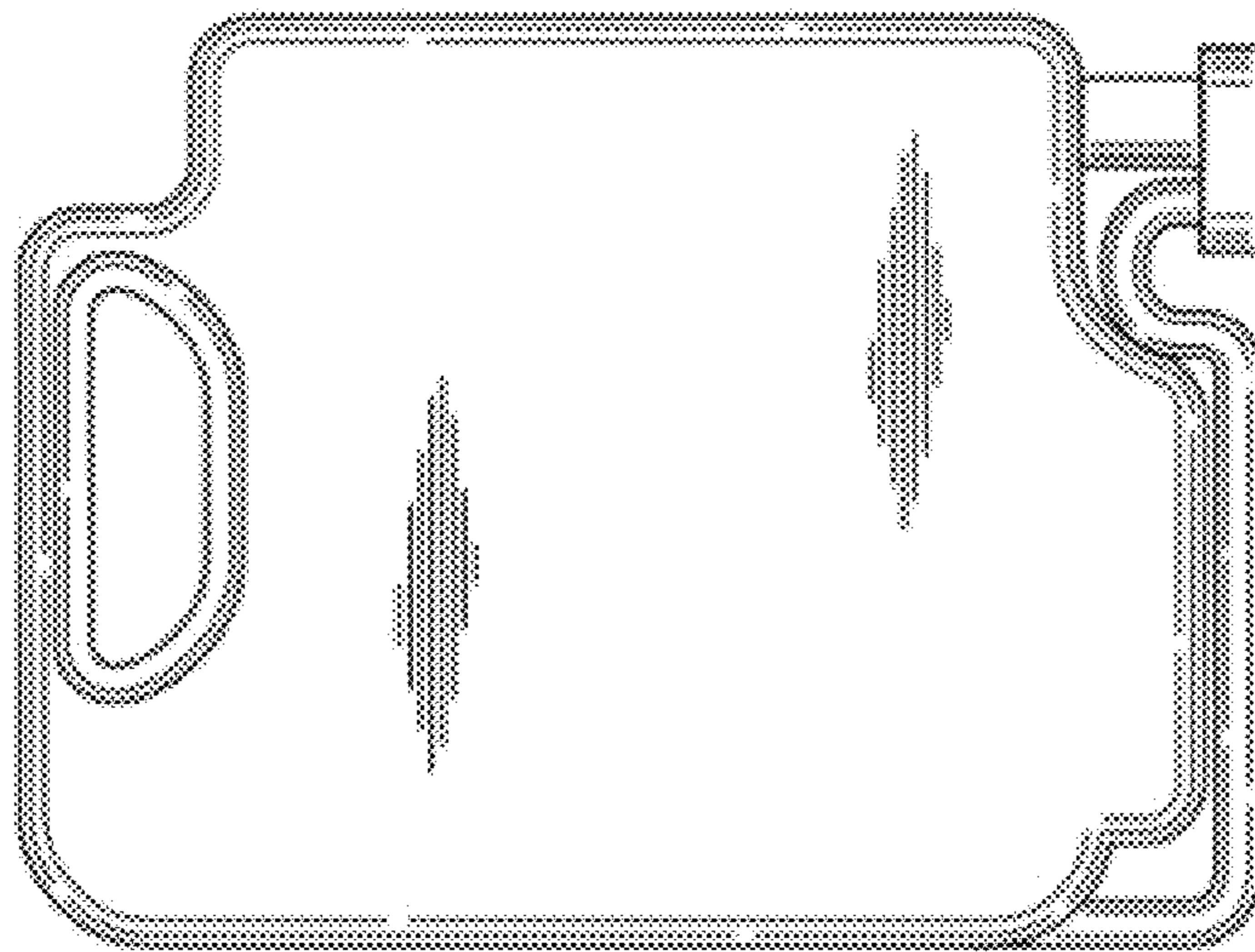
**1.1**



**1.2**

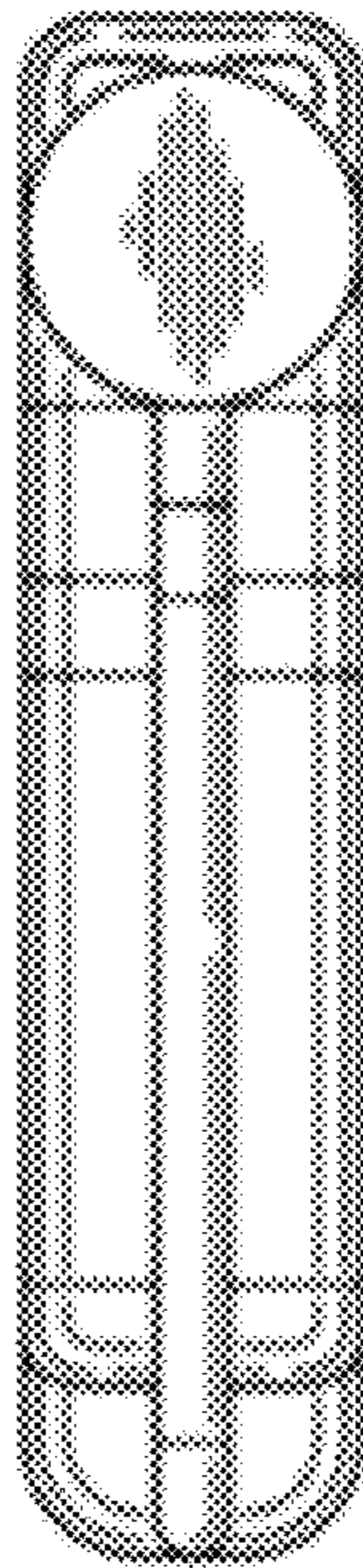


**1.3**

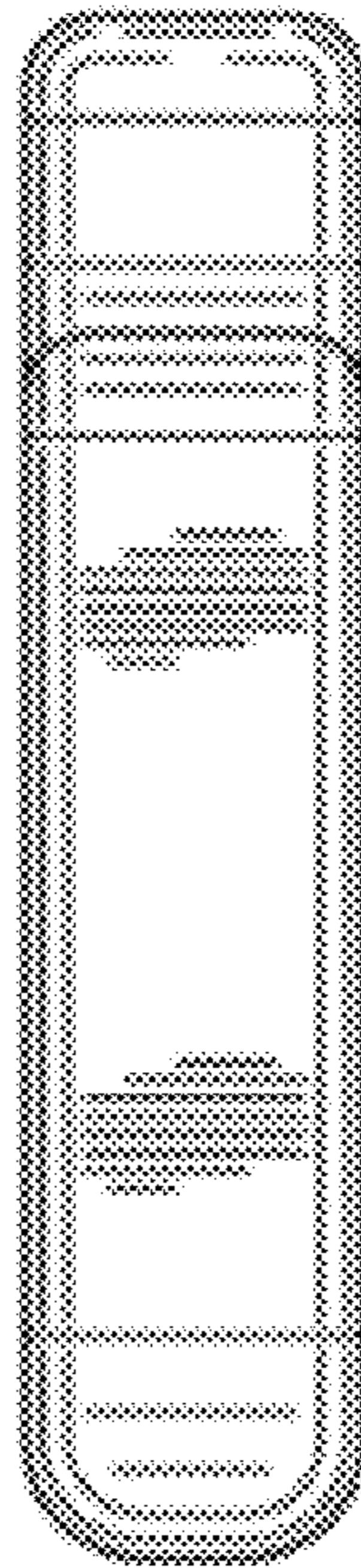




**1.4**



**1.5**



**1.6**





**1.7**

