



US00D794461S

(12) **United States Design Patent** (10) **Patent No.:** **US D794,461 S**  
**Yourist** (45) **Date of Patent:** **\*\* Aug. 15, 2017**

- (54) **CONTAINER**
- (71) Applicant: **GRAHAM PACKAGING COMPANY, L.P.**, York, PA (US)
- (72) Inventor: **Sheldon E. Yourist**, York, PA (US)
- (73) Assignee: **GRAHAM PACKAGING COMPANY, L.P.**, York, PA (US)
- (\*\*) Term: **15 Years**
- (21) Appl. No.: **29/534,605**
- (22) Filed: **Jul. 30, 2015**
- (51) **LOC (10) Cl.** ..... **09-01**
- (52) **U.S. Cl.**  
USPC ..... **D9/516**
- (58) **Field of Classification Search**  
USPC ..... D9/516, 522, 530, 543, 549, 558, 564, D9/565, 569, 572, 573; 215/206, 229, 215/381; 220/674, 710, 837; 222/182, 222/209, 252; 426/115  
CPC ..... A61J 1/05; B65D 1/02; B65D 1/0223; B65D 1/08; B65D 1/10; A47G 19/22; A47G 19/2205; A47G 19/2266  
See application file for complete search history.

- D576,493 S \* 9/2008 Coley, Jr. .... D9/516
- D623,952 S \* 9/2010 Yourist ..... D9/516
- D637,494 S \* 5/2011 Coley, Jr. .... D9/516
- 8,083,081 B2 \* 12/2011 Coley, Jr. .... B65D 1/023  
215/381
- D676,329 S \* 2/2013 Yourist ..... D9/541

**OTHER PUBLICATIONS**

Welch's Farmer's Pick Juice, announced May 2014, [online], site visited Nov. 12, 2016. Available from Internet, <URL: <http://www.shescribes.com>>.\*  
 U.S. Appl. No. 29/534,602, filed Jul. 30, 2015 (Sheldon E. Yourist).  
 U.S. Appl. No. 29/534,602, Nov. 22, 2016 Non-Final Office Action.  
 Welch's Farmer's Pick Juice, announced May 2014, [on line], site visited Nov. 12, 2016. <http://www.shescribes.com>.

\* cited by examiner

*Primary Examiner* — Ian Simmons  
*Assistant Examiner* — Janice Lim  
 (74) *Attorney, Agent, or Firm* — Baker Botts L.L.P.

(57) **CLAIM**

The ornamental design for a container, as shown and described.

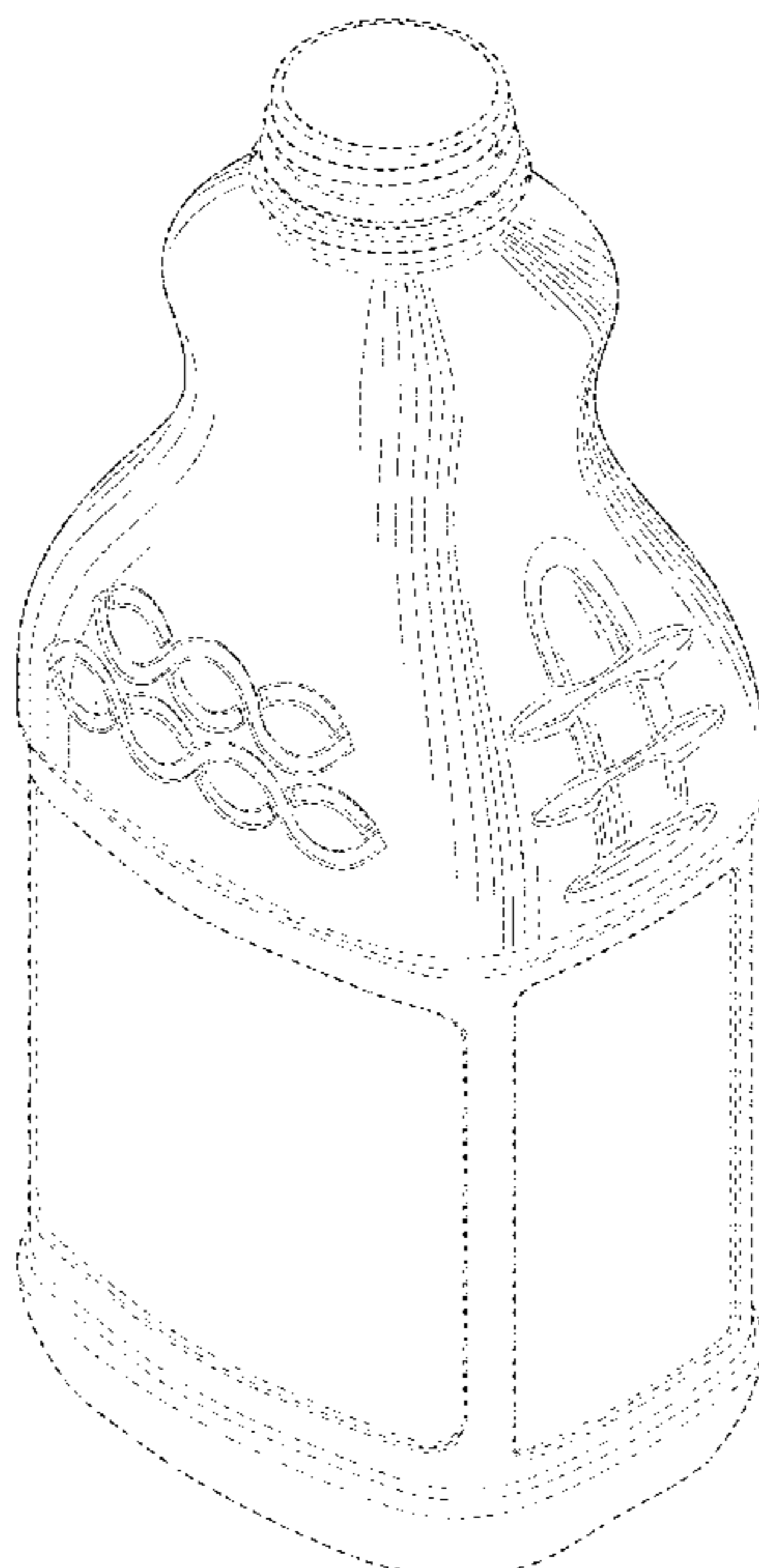
**DESCRIPTION**

FIG. 1 is a perspective view of a container, showing my new design.  
 FIG. 2 is a front view of the container of FIG. 1.  
 FIG. 3 is a rear view of the container of FIG. 1.  
 FIG. 4 is a left side view of the container of FIG. 1.  
 FIG. 5 is a right side view of the container of FIG. 1.  
 FIG. 6 is a top plan view of the container of FIG. 1; and,  
 FIG. 7 is a bottom plan view of the container of FIG. 1.  
 The broken line portions are included to show unclaimed subject matter only and form no part of the claimed design.

**1 Claim, 6 Drawing Sheets**

(56) **References Cited**  
 U.S. PATENT DOCUMENTS

- D316,968 S \* 5/1991 York ..... D9/434
- 5,758,790 A \* 6/1998 Ewing, Jr. .... B65D 23/102  
215/384
- D420,592 S \* 2/2000 Bretz ..... D9/520
- D423,935 S \* 5/2000 Frazer ..... D9/520
- 6,575,321 B2 \* 6/2003 Bourque ..... B65D 1/0223  
215/365
- D525,527 S \* 7/2006 Ogg ..... D9/516



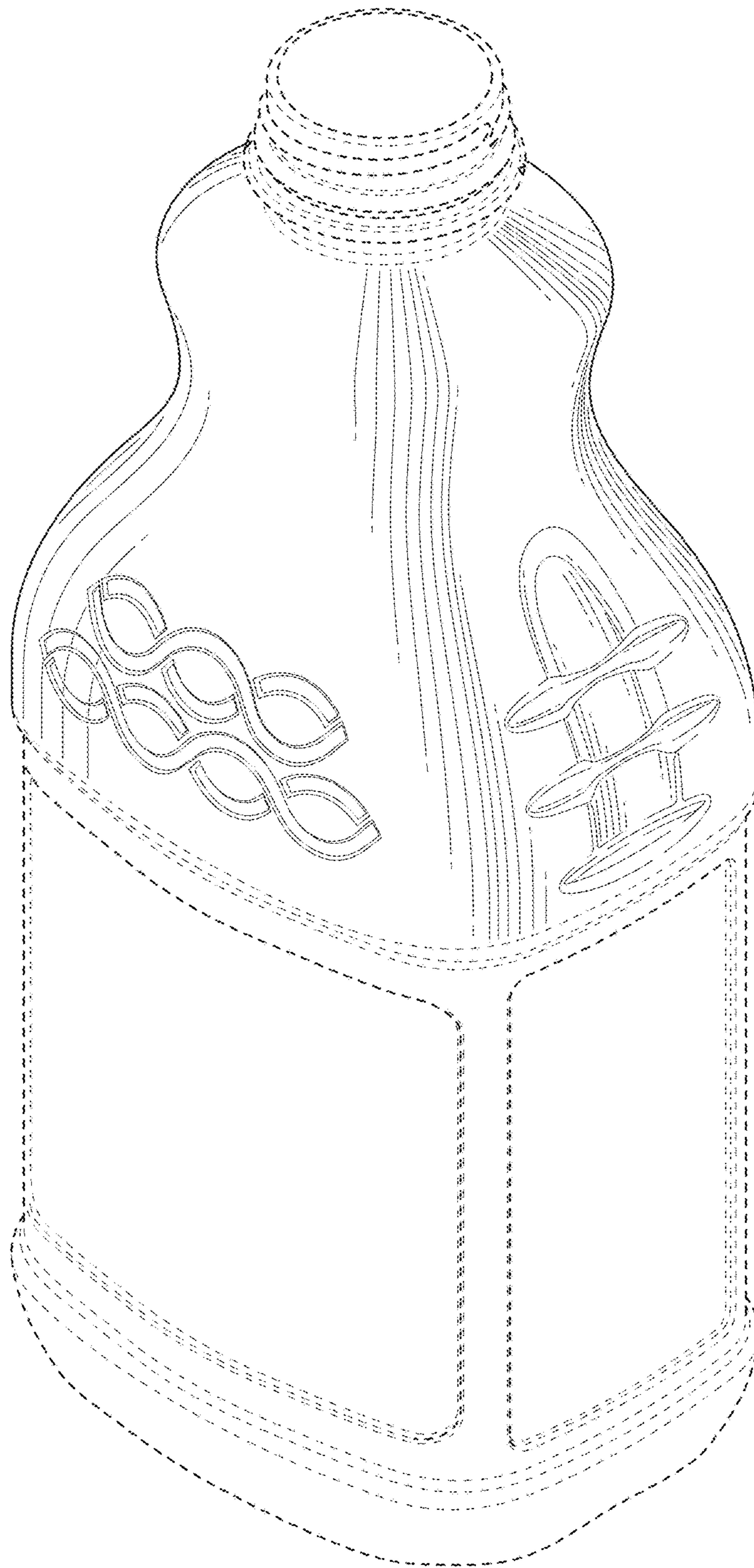


FIG. 1



FIG. 2

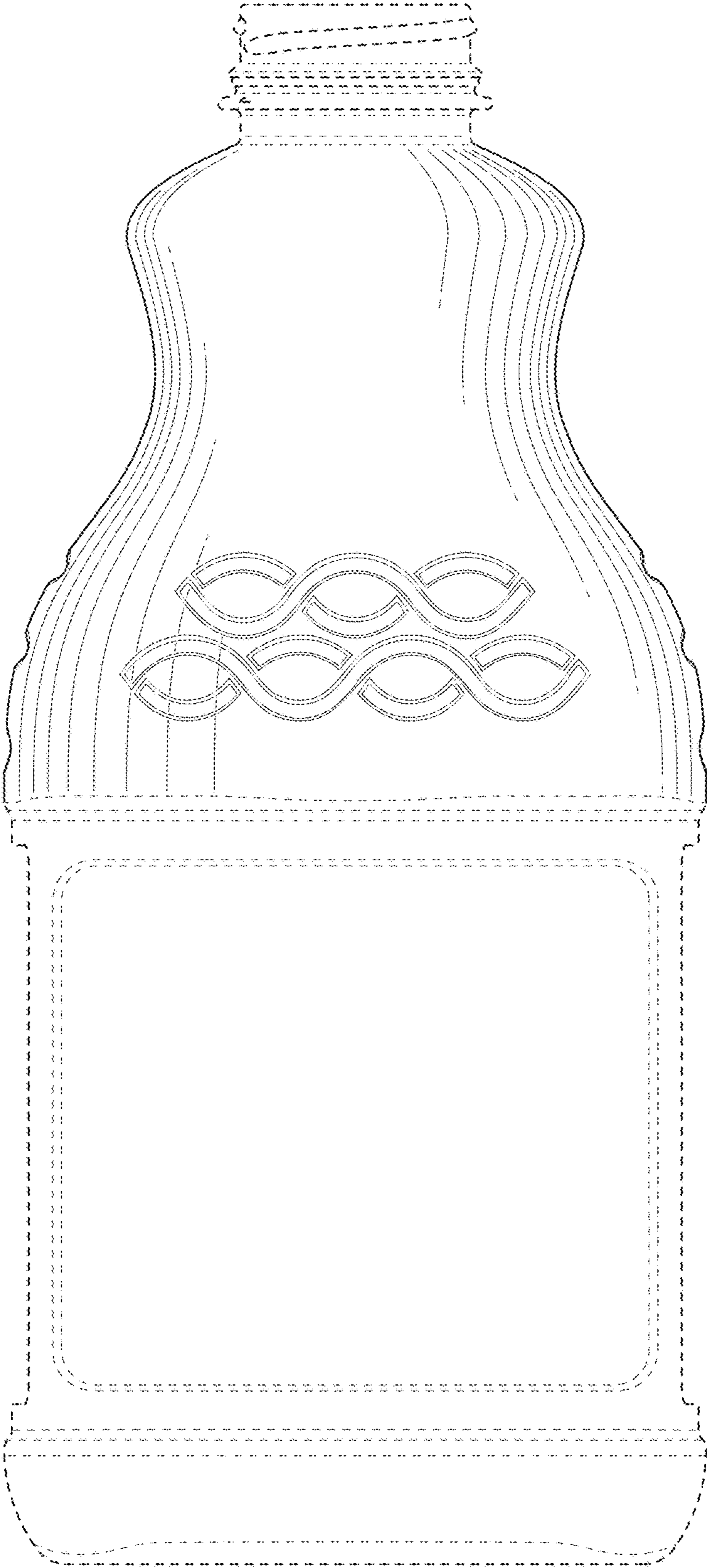


FIG. 3

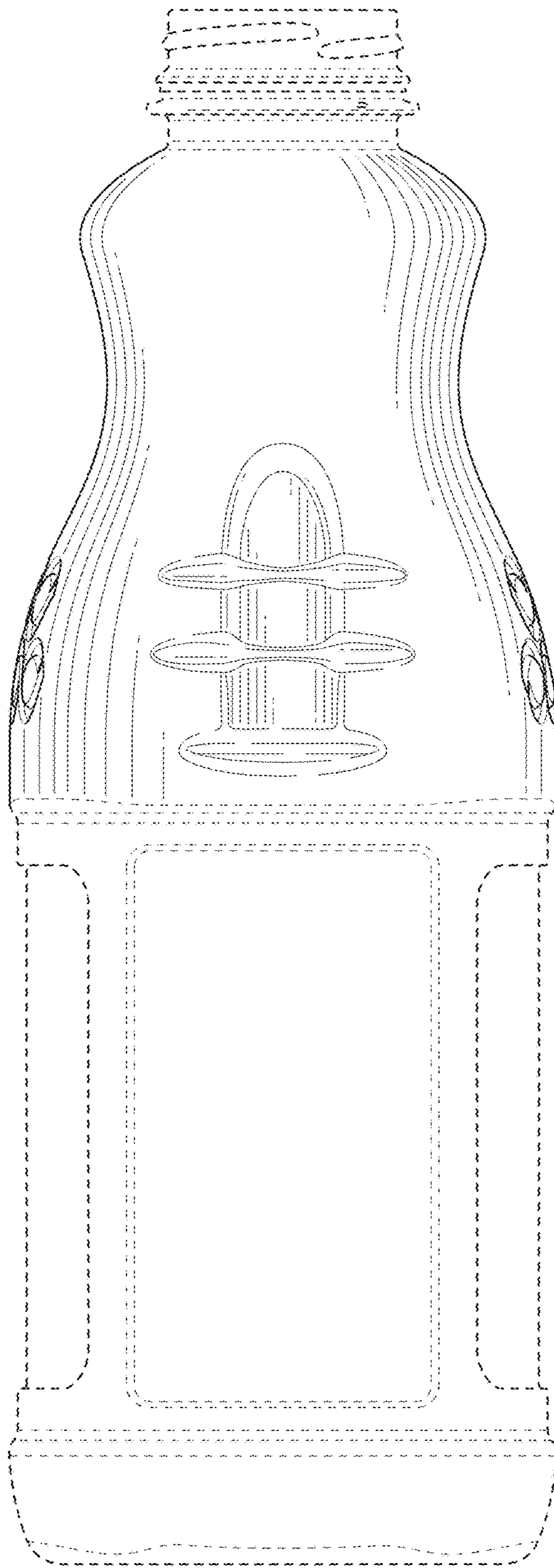


FIG. 4

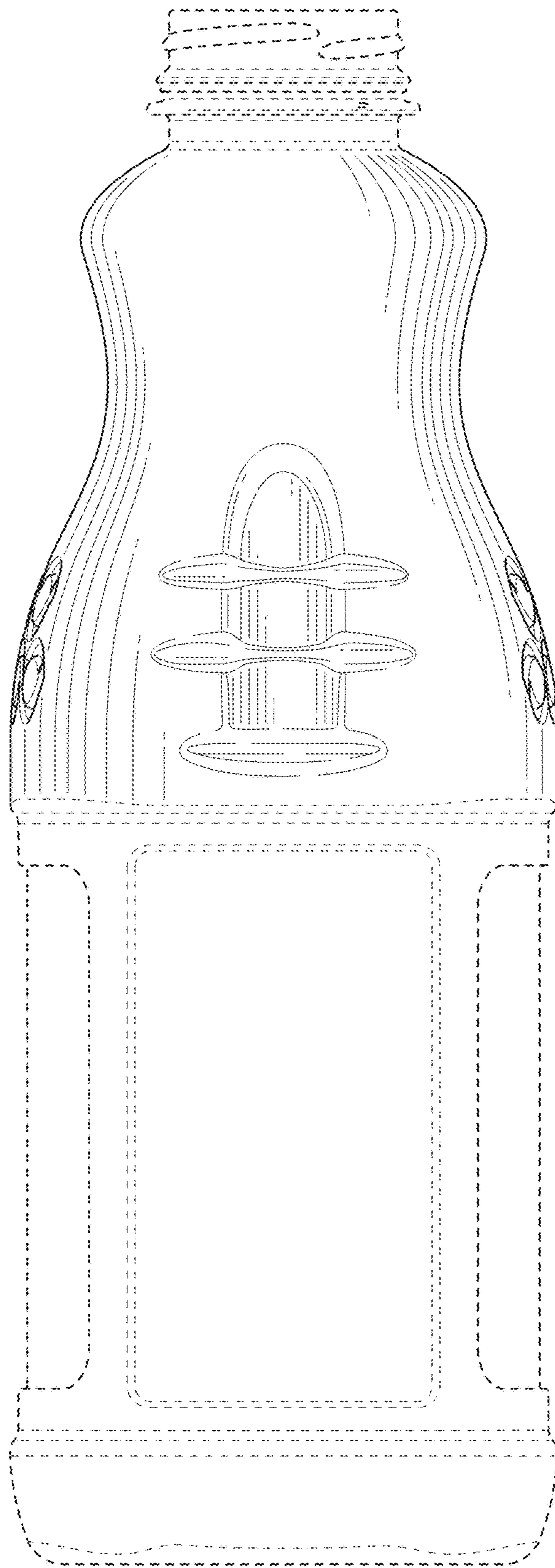


FIG. 5

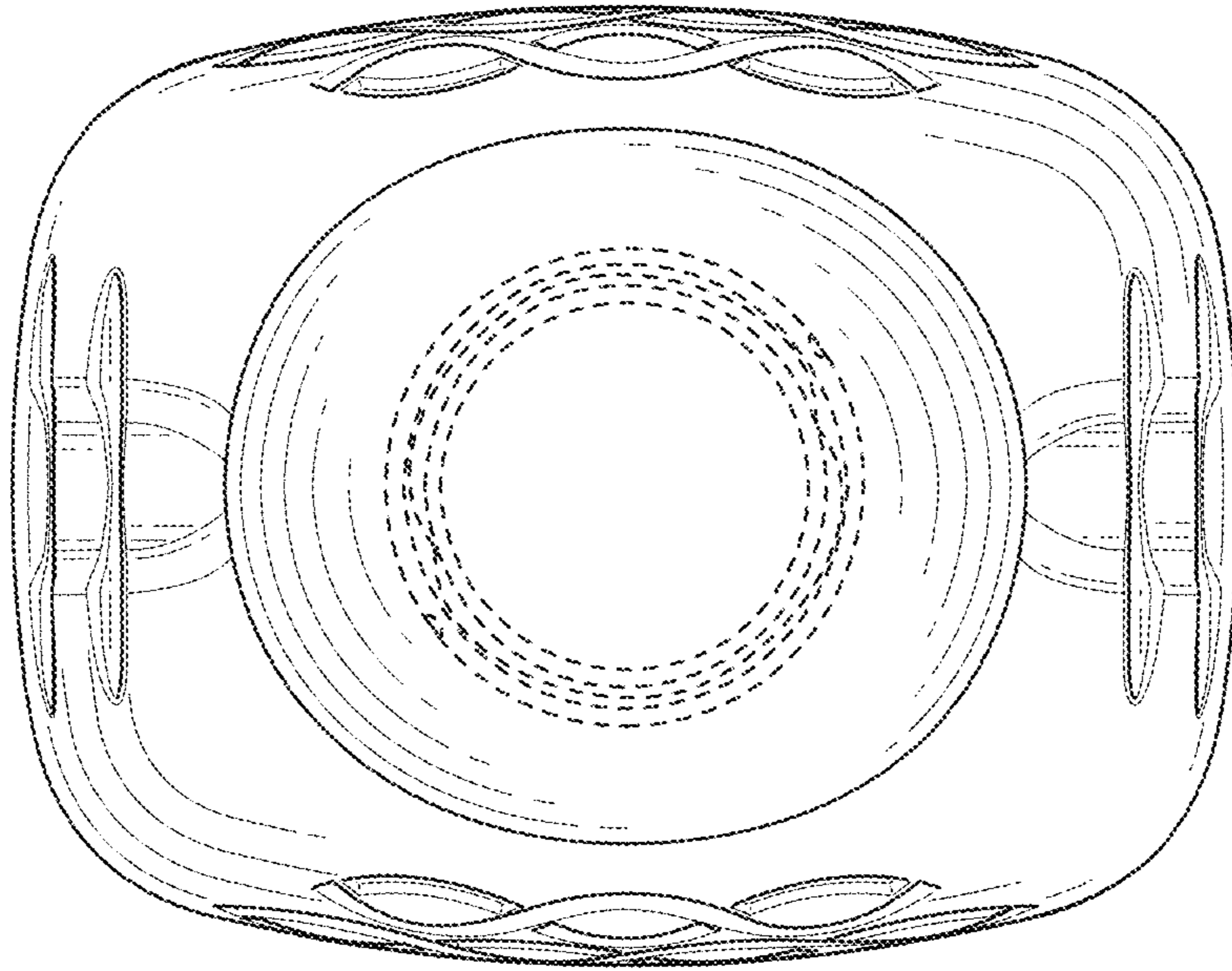


FIG. 6

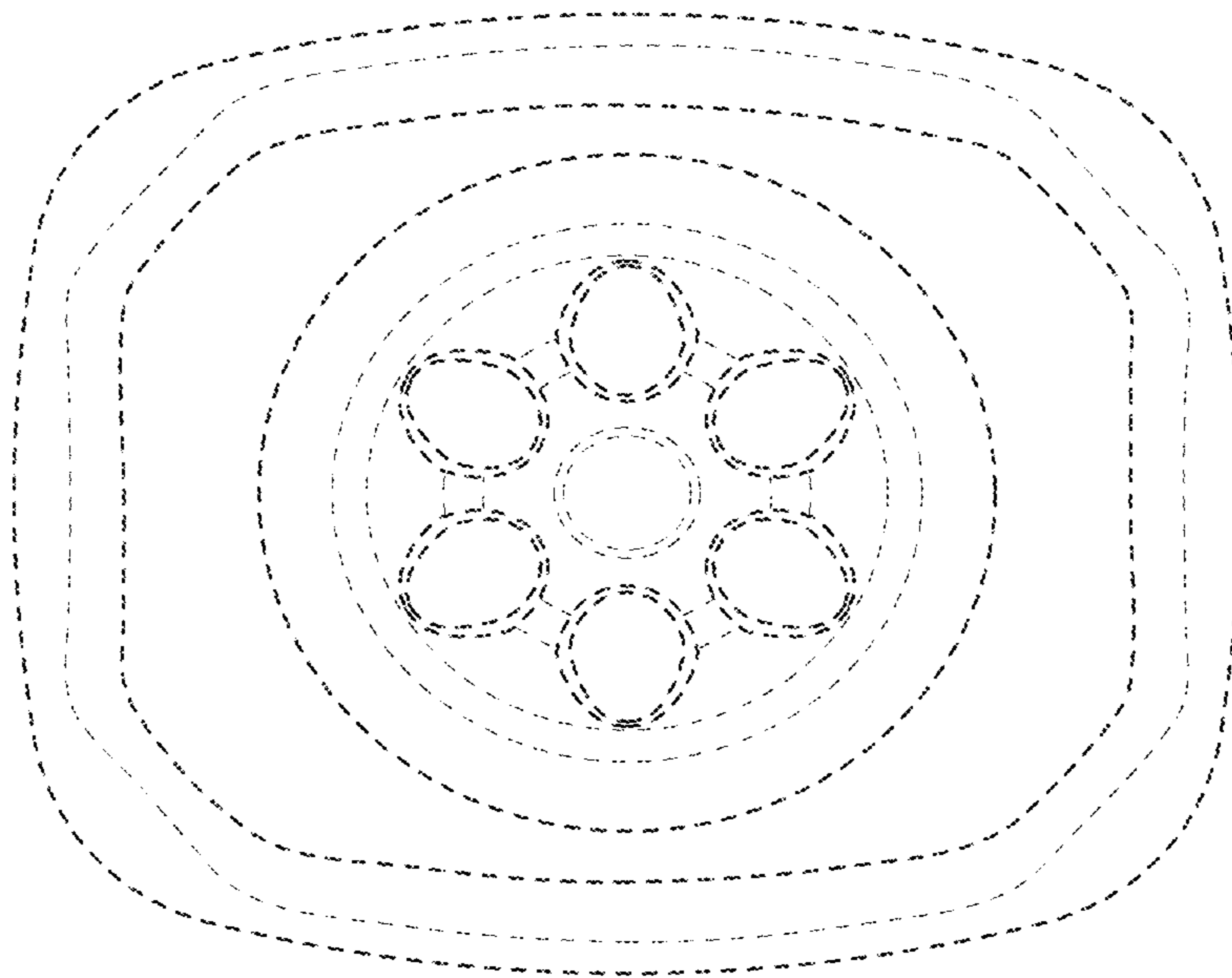


FIG. 7