



US00D794459S

(12) **United States Design Patent** (10) **Patent No.:** **US D794,459 S**
Lefebvre et al. (45) **Date of Patent:** **** Aug. 15, 2017**

- (54) **LID**
- (71) Applicant: **IPL INC.**, St-Damien (CA)
- (72) Inventors: **Justin Lefebvre**, Quebec (CA);
Branden Wilbert, Lee's Summit, MO (US); **Denis Lehouillier**, Levis (CA);
Frederic Hudon, Levis (CA)
- (73) Assignee: **IPL INC.**, St. Damien, QC (CA)
- (**) Term: **15 Years**
- (21) Appl. No.: **29/548,422**
- (22) Filed: **Dec. 14, 2015**
- (51) **LOC (10) Cl.** **09-07**
- (52) **U.S. Cl.**
USPC **D9/454**
- (58) **Field of Classification Search**
USPC D3/294, 295; D7/213, 387, 392, 392.1,
D7/396.1, 396.3, 541, 546, 549, 554.2,
D7/554.3, 602, 605, 701, 703, 705;
D9/414, 420, 426, 428, 430, 434-436,
D9/438, 443, 449, 454, 455, 499, 703,
D9/717, 721
CPC B65D 2543/00092; B65D 2543/00296;
B65D 5/64
See application file for complete search history.

D712,703 S * 9/2014 Lipinski D7/602
D732,385 S * 6/2015 Bouveret D9/425
D734,980 S * 7/2015 Lipinski D7/391

OTHER PUBLICATIONS

Design Bolts. 30+ Cool Ice Cream Packaging Designs for Inspiration. Jan. 7, 2014 [earliest online date], [site visited Apr. 7, 2017]. Available from Internet, <URL:http://www.designbolts.com/2014/01/07/30-cool-ice-cream-packaging-designs-for-inspiration/>.*
IPL Plastics. SealPack Single Serve. Sep. 20, 2016 [earliest online date], [site visited Apr. 7, 2017]. Available from Internet, <URL:http://www.ipl-plastics.com/en/retail-packaging/products/file/sealpack-single-serve/26>.*
https://conniekitchen.files.wordpress.com/2014/12/select-different-brands-for-ice-cream-shop.jpg.
http://www.shopwell.com/kroger-ice-cream-caramel-sweet-surprise/ice-cream-popsicles/p/1111052944.
https://www.turkeyhill.com/press/turkey-hill-dairy/dairy-images.aspx.
http://www.privateselection.com/artisan-products/frozen-foods/ice-cream/chocolate-ganache-ice-cream/.

* cited by examiner

Primary Examiner — Robert M Spear
Assistant Examiner — Darcey E Heflin

(57) **CLAIM**

The ornamental design for a lid, as shown and described.

DESCRIPTION

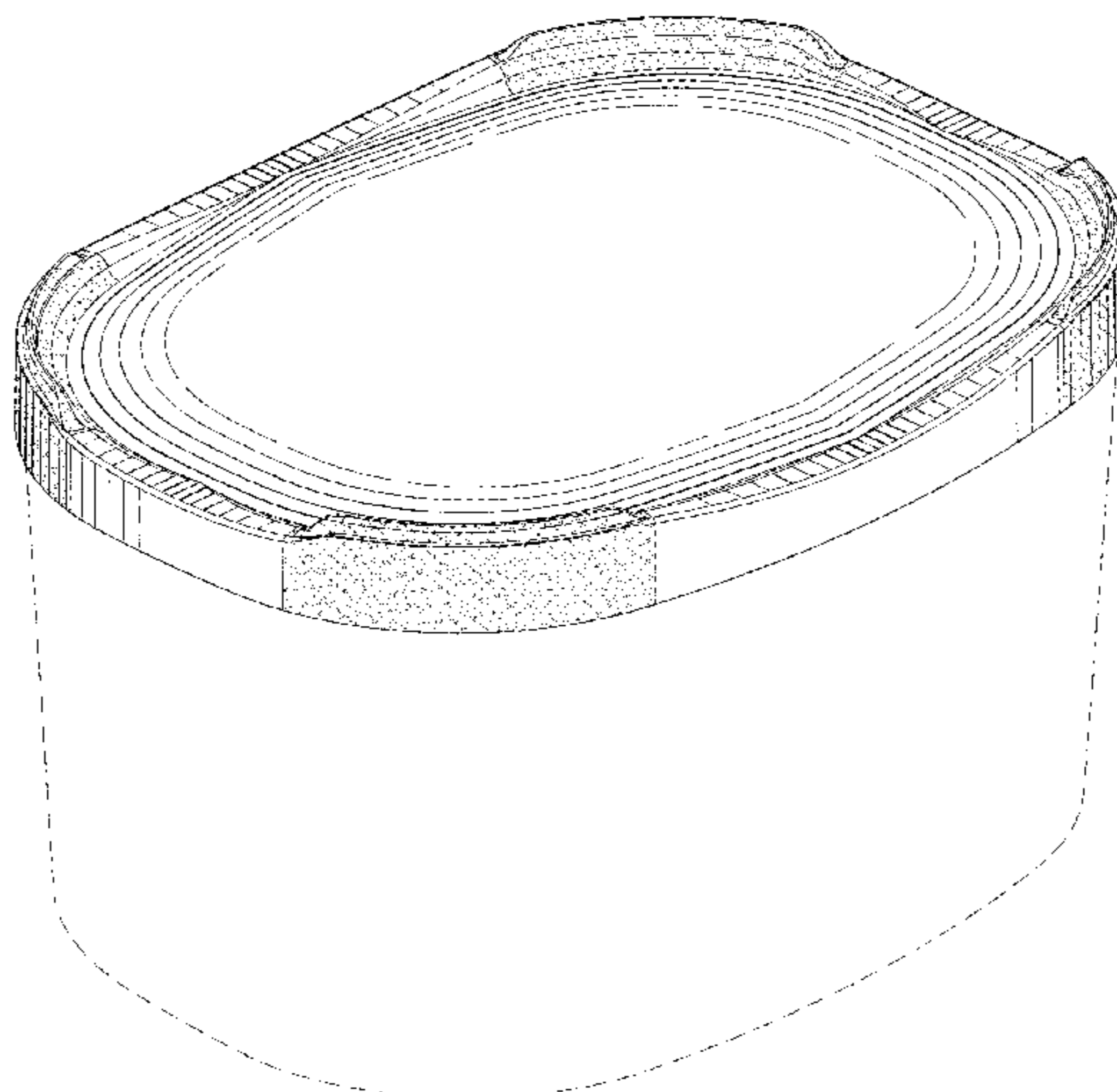
FIG. 1 is a perspective view of the lid showing our new design;
FIG. 2 is a top view of the lid of FIG. 6;
FIG. 3 is a first side view of the lid of FIG. 6;
FIG. 4 is a second side view of the lid of FIG. 6; and,
FIG. 5 is a bottom view of the lid of FIG. 6.
In the drawings, the broken lines showing portions of a lid depict environment and form no part of the claim.
The stippled portions in the drawings indicate a contrast in appearance.

1 Claim, 3 Drawing Sheets

(56) **References Cited**

U.S. PATENT DOCUMENTS

- 3,447,714 A * 6/1969 Elliot B65D 43/0212
206/1.5
- 4,044,484 A * 8/1977 Ludder G09F 3/00
229/5.8
- D429,640 S * 8/2000 Nielsen D9/435
- D496,560 S * 9/2004 Lerner D7/629
- D564,287 S * 3/2008 Bouveret D7/392.1
- D592,494 S * 5/2009 Wichowski D9/414
- D692,298 S * 10/2013 Pipes A24F 23/00
D9/434
- D696,075 S * 12/2013 Mashike D7/605
- D706,131 S * 6/2014 Brooks D9/428



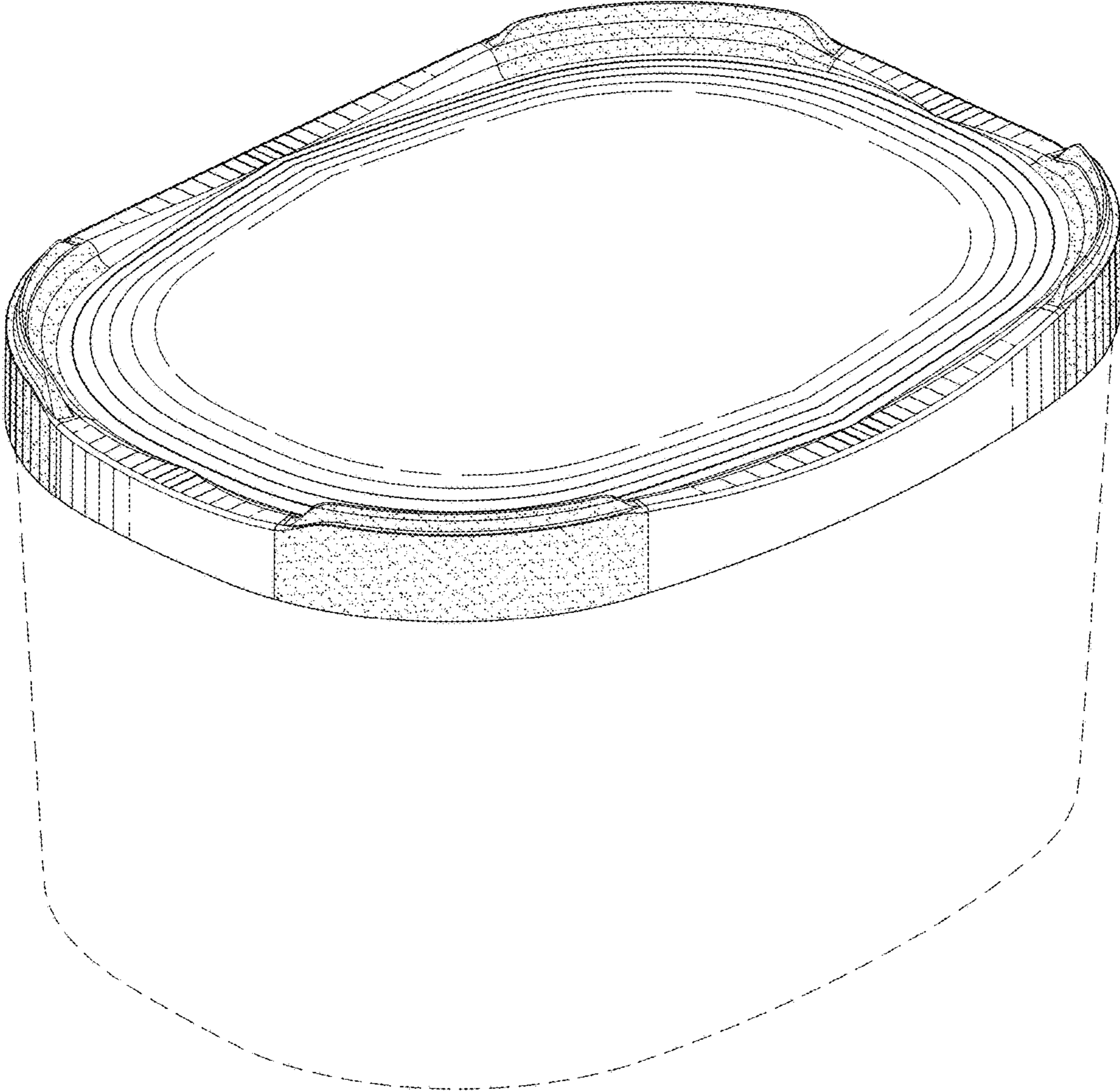


FIG. 1

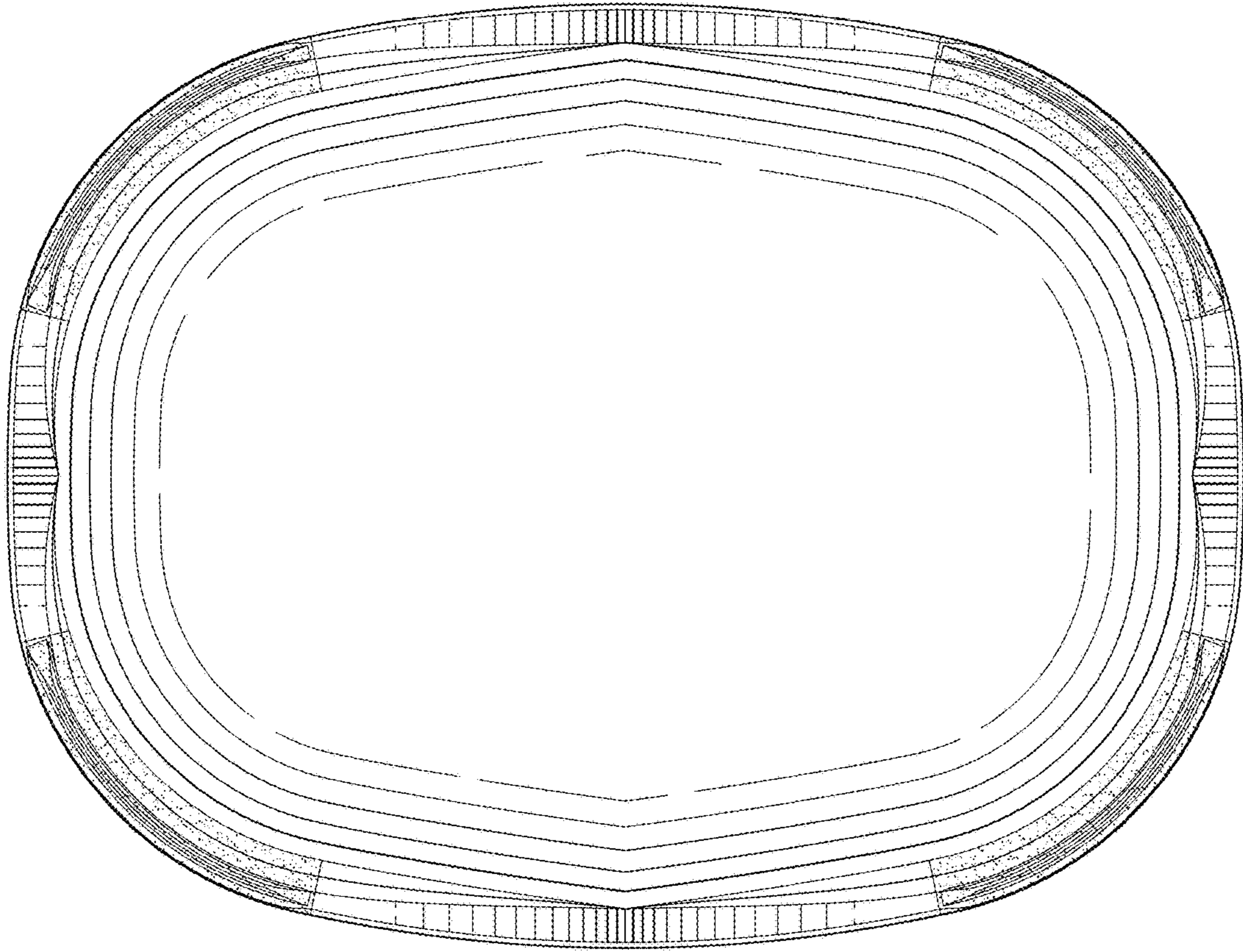


FIG. 2

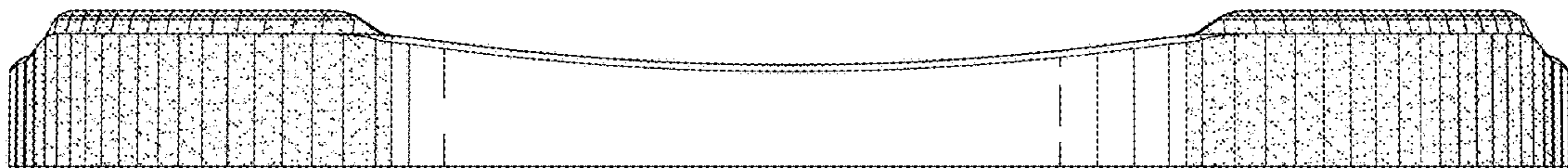


FIG. 3

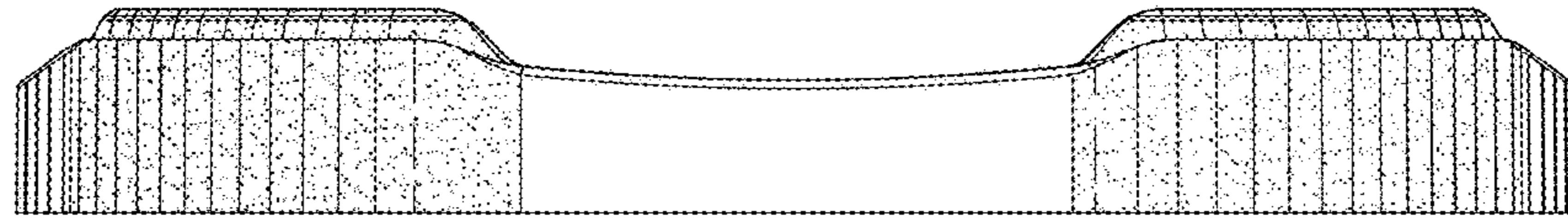


FIG. 4

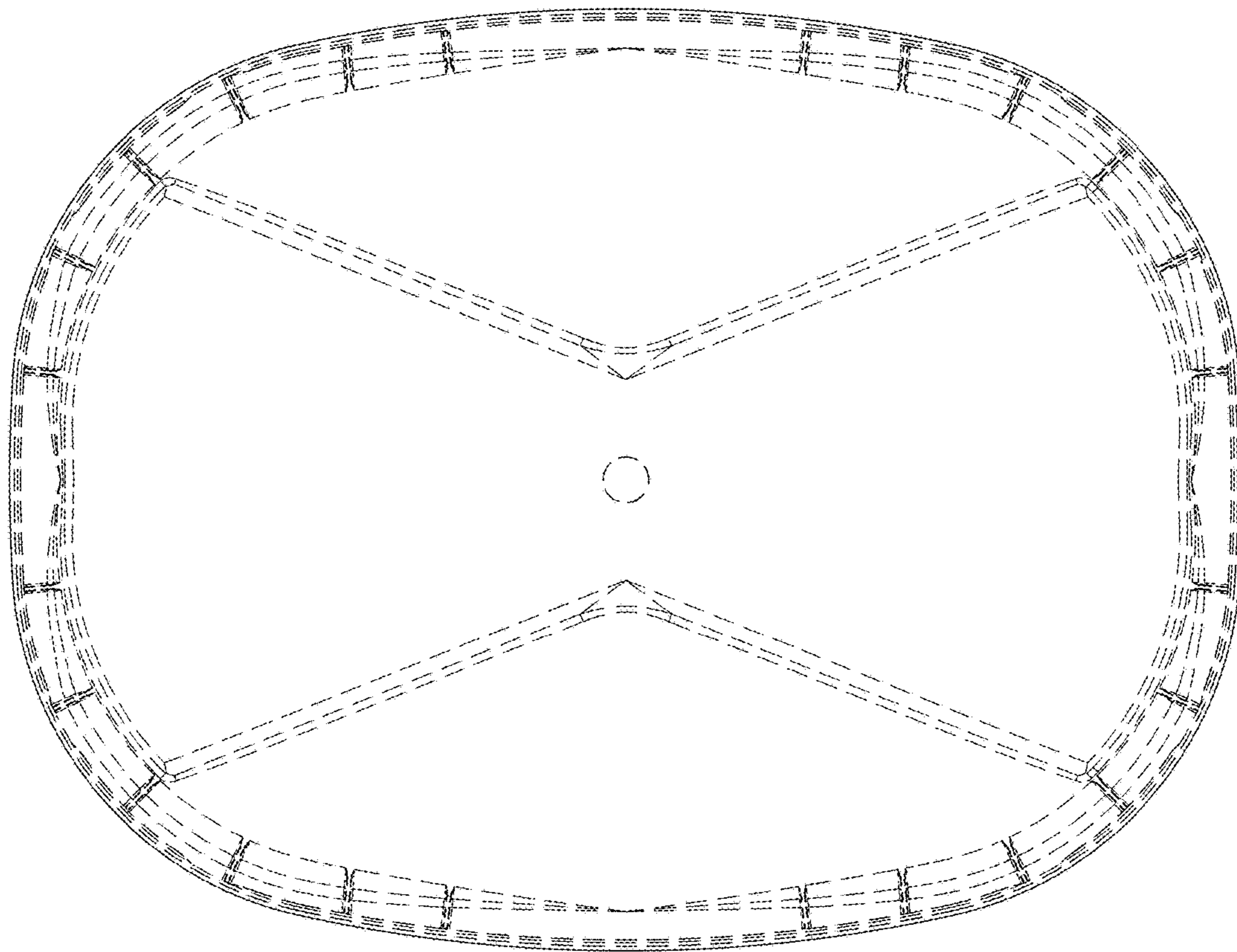


FIG. 5