



US00D794458S

(12) **United States Design Patent**  
**Lloyd et al.**

(10) **Patent No.:** **US D794,458 S**

(45) **Date of Patent:** **\*\* Aug. 15, 2017**

(54) **FLIP TOP CLOSURE**

(71) Applicant: **Innovative Molding**, Rohnert Park, CA (US)

(72) Inventors: **David Wayne Lloyd**, Santa Rosa, CA (US); **Christopher Steven Finkbohner**, Sebastopol, CA (US)

(73) Assignee: **Innovative Molding**, Rohnert Park, CA (US)

(\*\*) Term: **15 Years**

(21) Appl. No.: **29/581,143**

(22) Filed: **Oct. 17, 2016**

**Related U.S. Application Data**

(62) Division of application No. 29/488,266, filed on Apr. 17, 2014, now Pat. No. Des. 772,708.

(51) **LOC (10) Cl.** ..... **09-07**

(52) **U.S. Cl.**  
USPC ..... **D9/449**

(58) **Field of Classification Search**  
USPC ..... D9/434, 435, 436, 440, 447, 449, 450,  
D9/452, 453, 454

(Continued)

(56) **References Cited**

**U.S. PATENT DOCUMENTS**

D106,187 S 9/1937 Fleisch  
D159,797 S 8/1950 Gessler

(Continued)

*Primary Examiner* — Robert M Spear

(74) *Attorney, Agent, or Firm* — Woodard, Emhardt,  
Moriarty, McNett & Henry LLP

(57) **CLAIM**

The ornamental design for a flip top closure, as shown and described.

**DESCRIPTION**

FIG. 1 is a perspective view of our ornamental design with the flip top portion in an open position; FIG. 2 is a front elevational view thereof; FIG. 3 is a rear elevational view thereof; FIG. 4 is a left side elevational view thereof; FIG. 5 is a right side elevational view thereof; FIG. 6 is a top plan view thereof; and FIG. 7 is a bottom plan view thereof.

FIG. 8 is a perspective view of our ornamental design with the flip top portion in a closed position; FIG. 9 is a front elevational view thereof; FIG. 10 is a rear elevational view thereof; FIG. 11 is a left side elevational view thereof; FIG. 12 is a right side elevational view thereof; FIG. 13 is a top plan view thereof; and FIG. 14 is a bottom plan view thereof.

FIG. 15 is a perspective view of another embodiment of our ornamental design with the flip top portion in an open position;

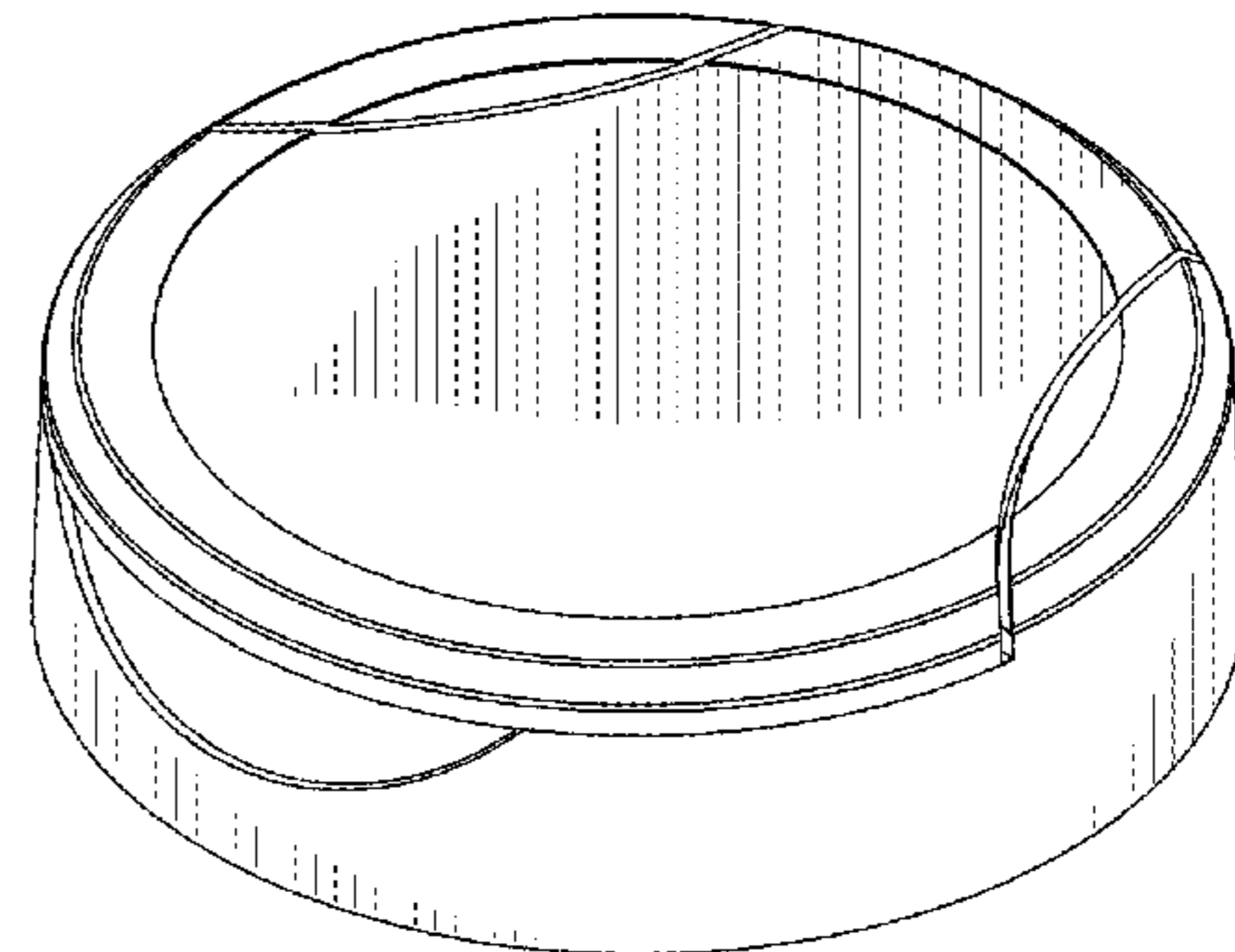
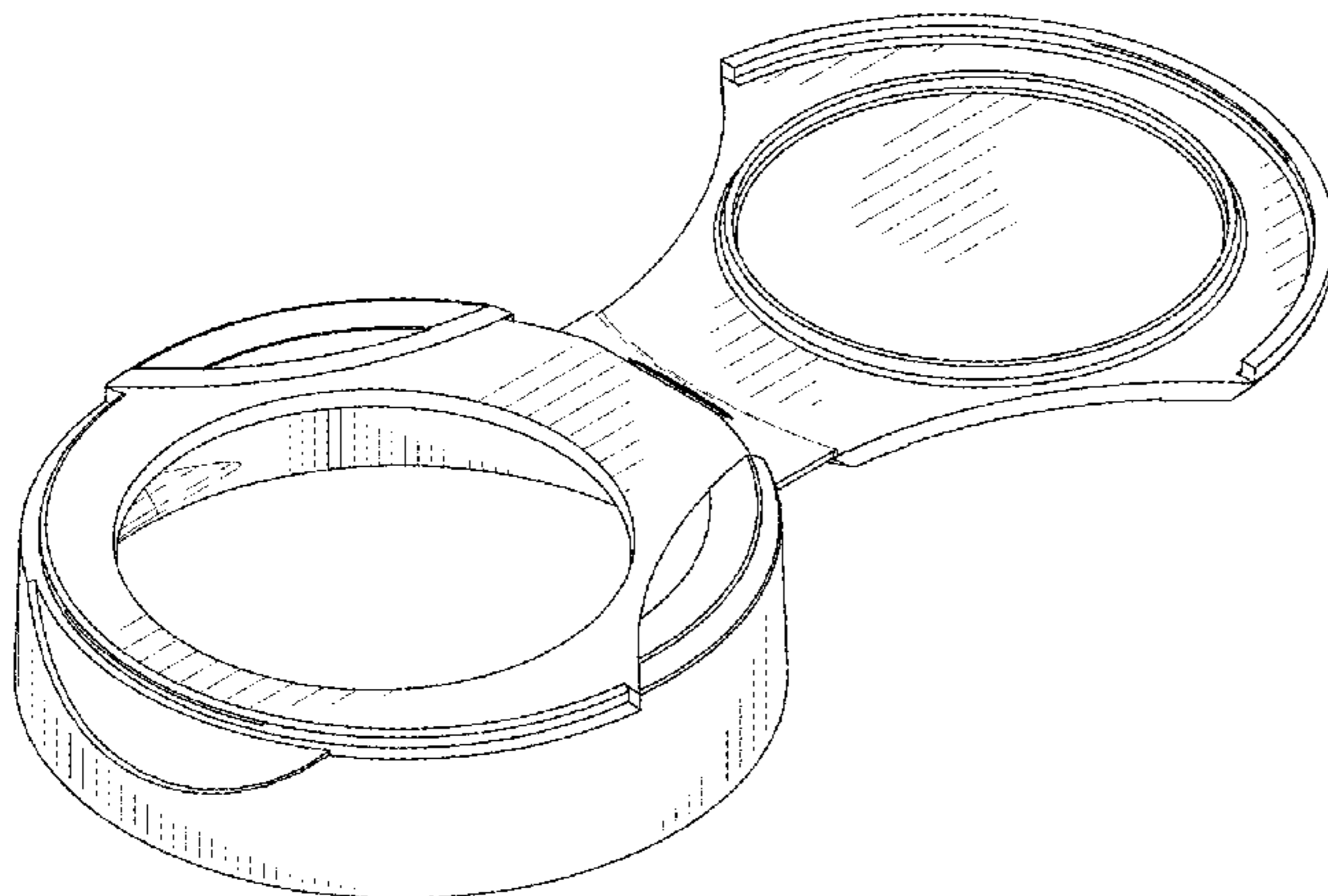
FIG. 16 is a front elevational view thereof; FIG. 17 is a rear elevational view thereof; FIG. 18 is a left side elevational view thereof; FIG. 19 is a right side elevational view thereof; FIG. 20 is a top plan view thereof; and FIG. 21 is a bottom plan view thereof.

FIG. 22 is a perspective view of another embodiment of our ornamental design with the flip top portion in a closed position;

FIG. 23 is a front elevational view thereof; FIG. 24 is a rear elevational view thereof; FIG. 25 is a left side elevational view thereof; FIG. 26 is a right side elevational view thereof; FIG. 27 is a top plan view thereof; and FIG. 28 is a bottom plan view thereof.

In the drawings, the broken lines depict environment only and form no part of the claimed design.

**1 Claim, 18 Drawing Sheets**



(58) **Field of Classification Search**

CPC B65D 47/08; B65D 47/0823; B65D 47/0838;  
B65D 51/249

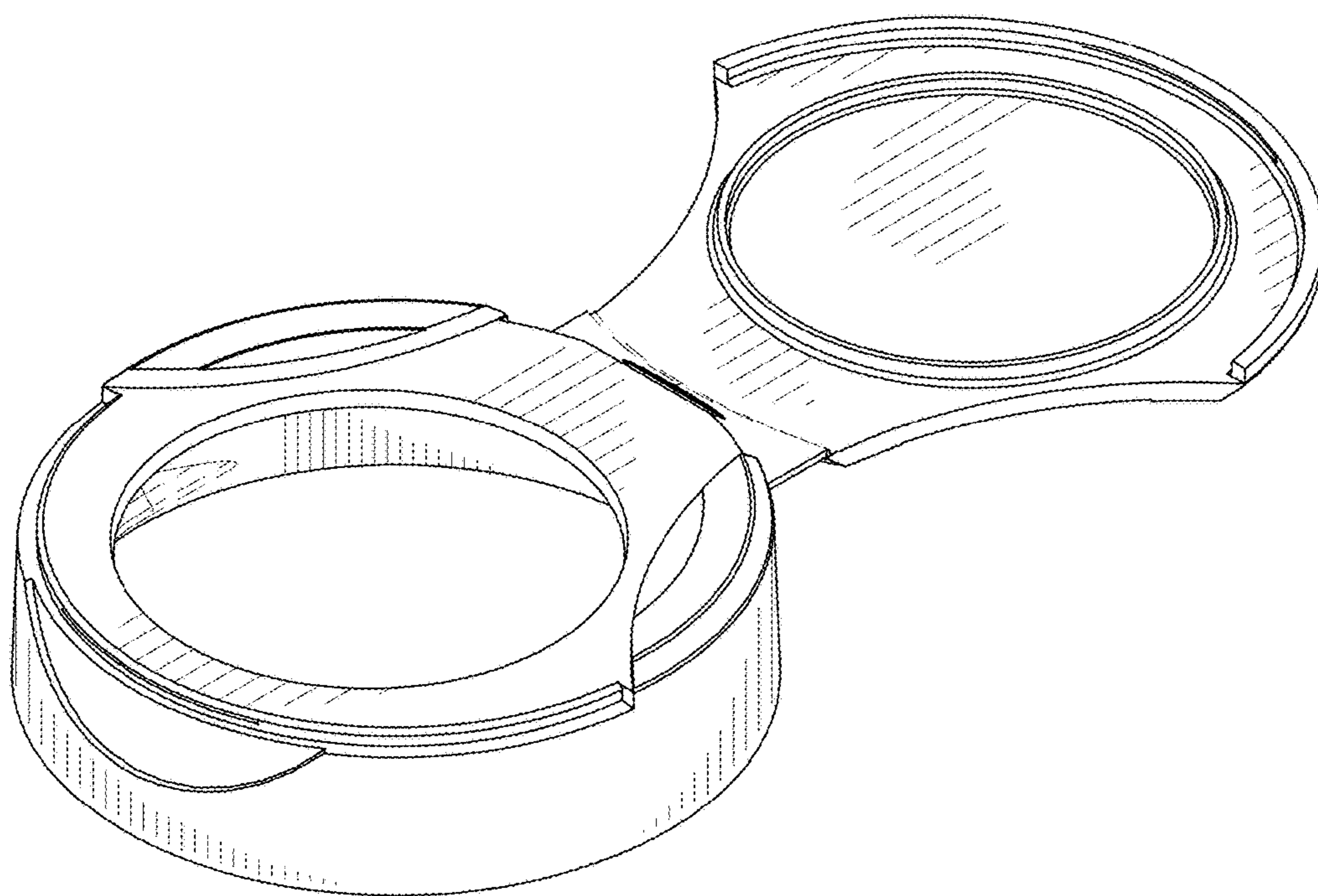
See application file for complete search history.

(56) **References Cited**

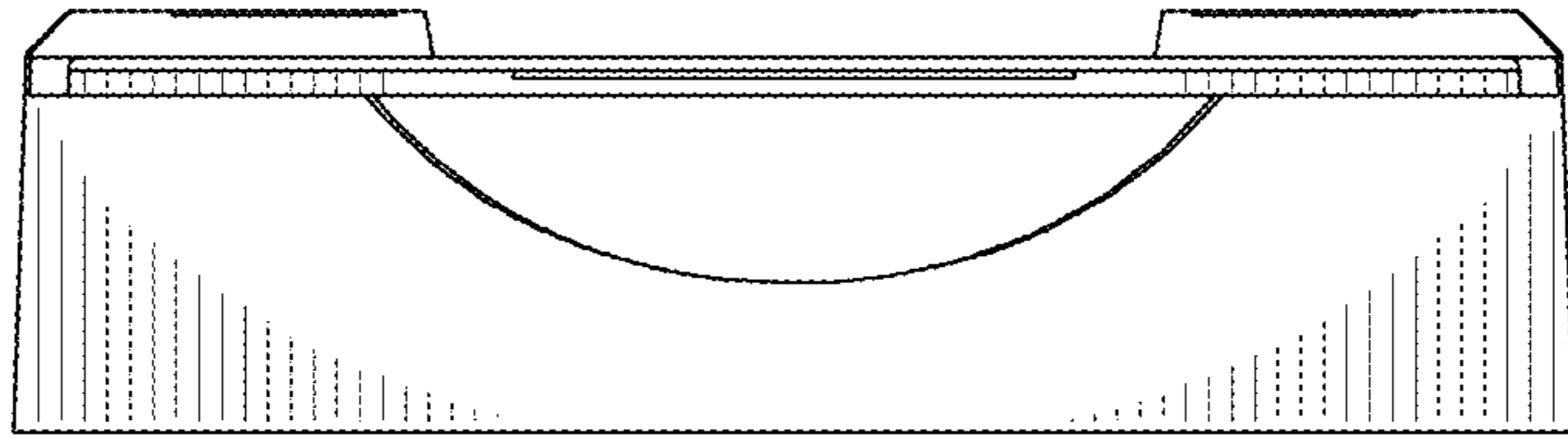
U.S. PATENT DOCUMENTS

4,779,750	A	10/1988	Armstrong	
D311,868	S	11/1990	Armstrong	
5,176,279	A	1/1993	Campbell et al.	
D358,530	S	5/1995	Mehra et al.	
D415,684	S	10/1999	Reidenbach	
D438,799	S	3/2001	Anderson	
D476,892	S *	7/2003	Martin .....	D9/447
D542,132	S *	5/2007	Pugne .....	D9/449
D577,287	S	9/2008	Haltom, III	
D583,234	S *	12/2008	Lohrman .....	D9/449
D604,159	S *	11/2009	Pugne .....	D9/449
7,628,297	B2 *	12/2009	Pugne .....	B65D 47/0804 215/237
D609,082	S	2/2010	Camisaca et al.	
D609,092	S *	2/2010	Laib .....	D9/449
D638,294	S	5/2011	Heidel et al.	
D639,161	S	6/2011	Webster	
8,448,798	B2 *	5/2013	Groubert .....	B29C 45/1676 215/235
D713,724	S *	9/2014	den Boer .....	D9/449
8,863,968	B2 *	10/2014	Giusti .....	B01L 3/50825 215/235
2009/0250478	A1	10/2009	Roth et al.	
2009/0294447	A1 *	12/2009	Mazurkiewicz ...	B65D 47/0814 220/260
2010/0140266	A1 *	6/2010	Lohrman .....	B65D 47/0838 220/254.3

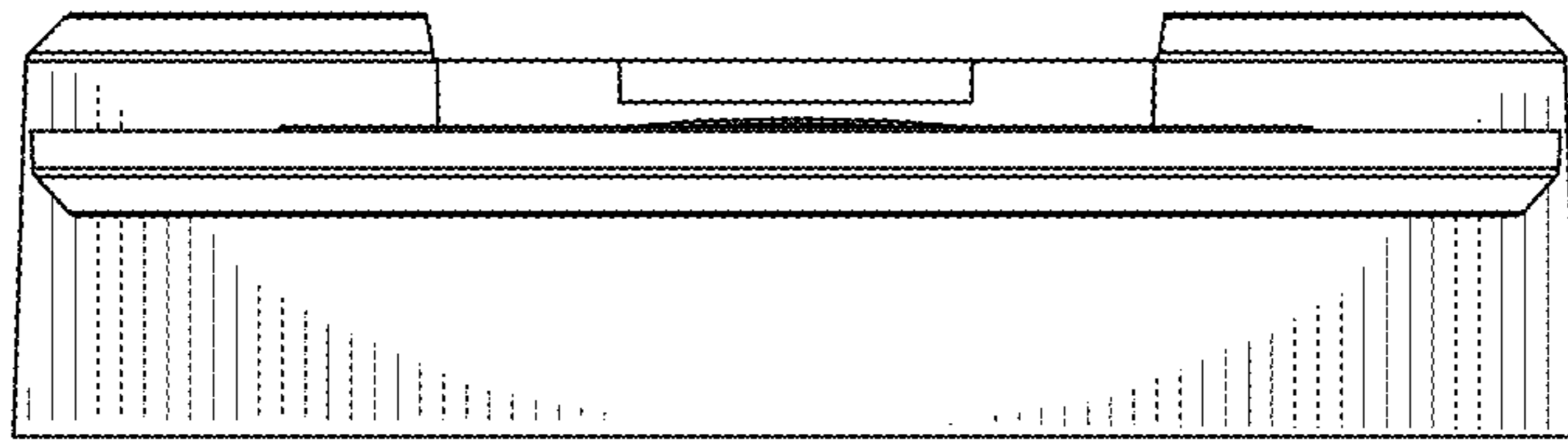
\* cited by examiner



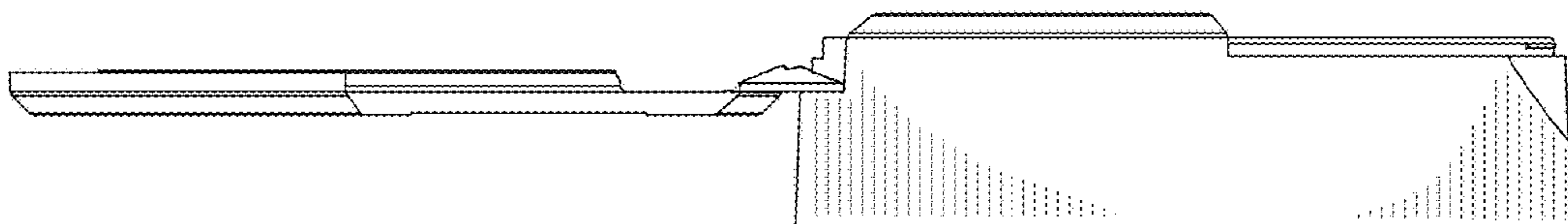
**FIG. 1**



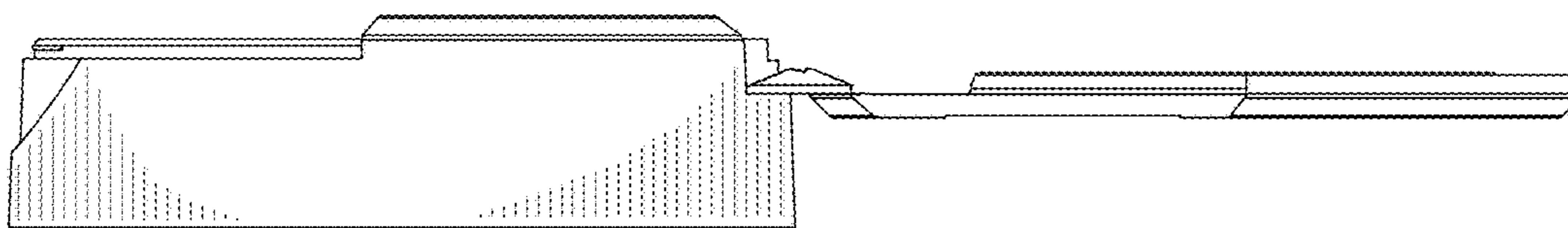
**FIG. 2**



**FIG. 3**

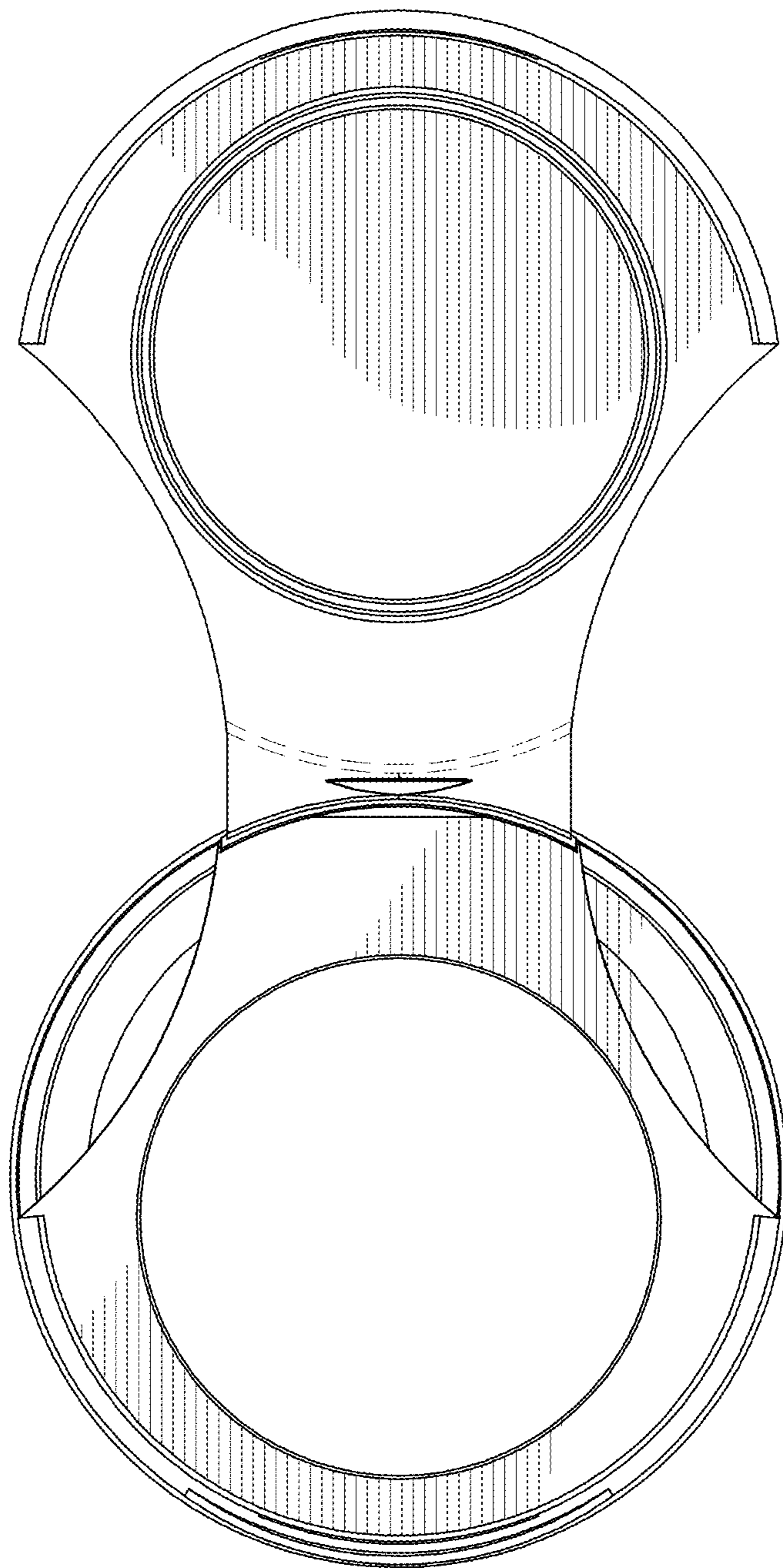


**FIG. 4**

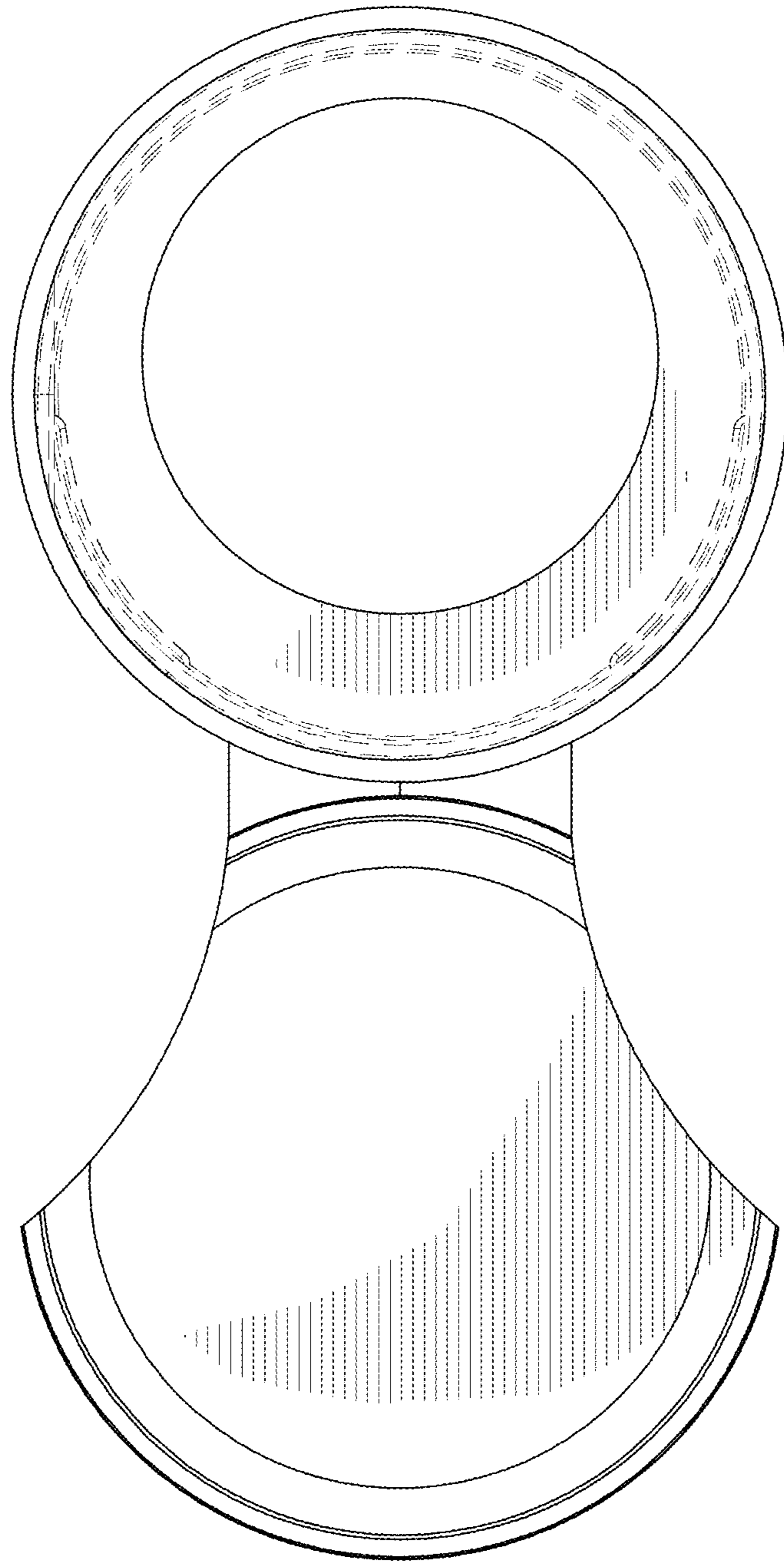


**FIG. 5**

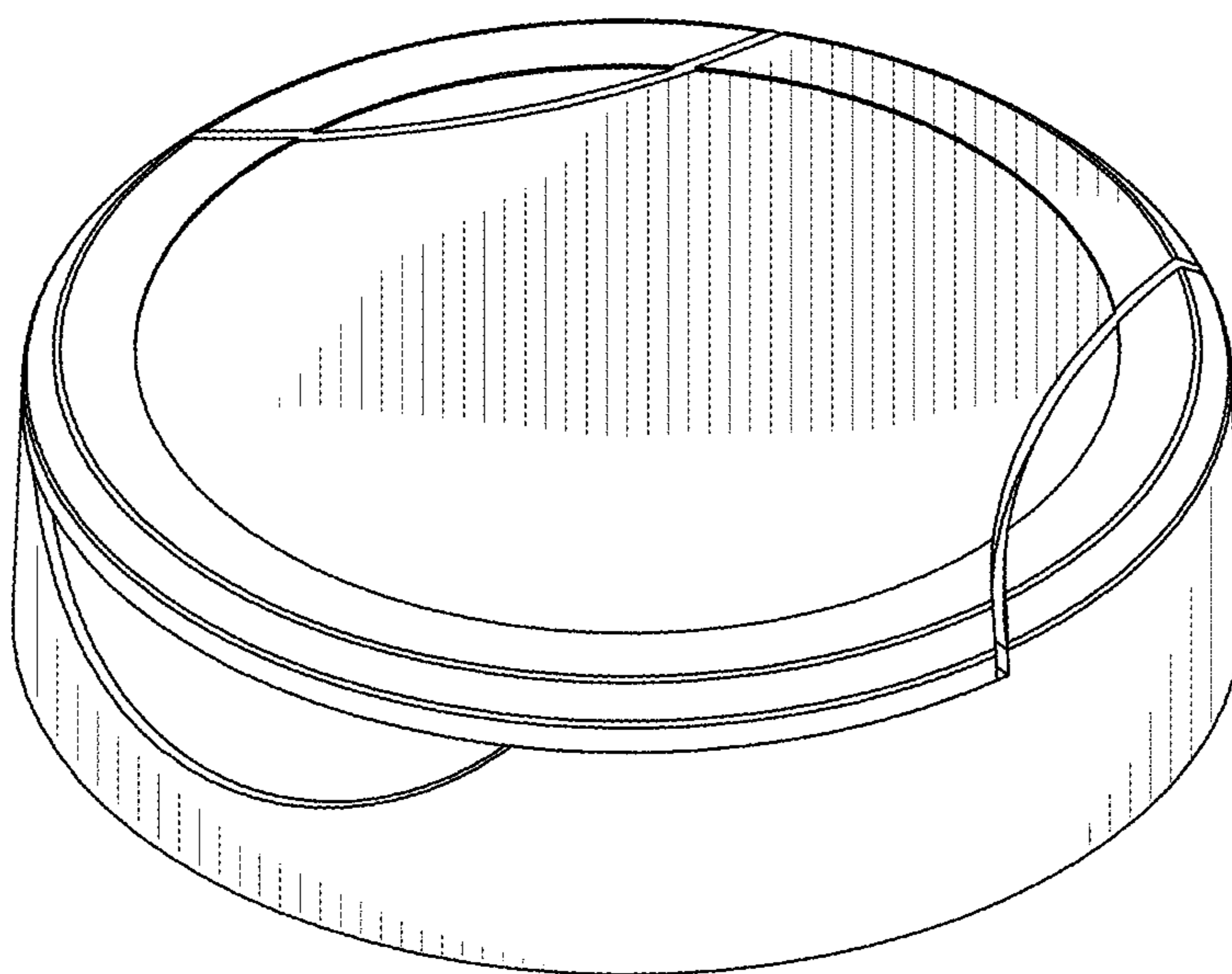




**FIG. 6**

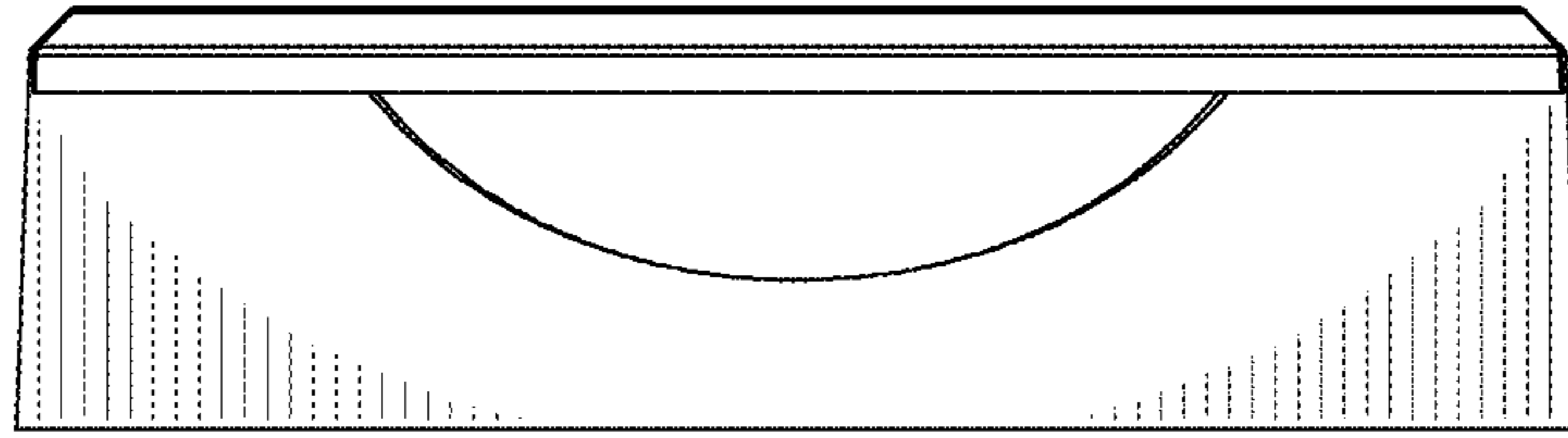


**FIG. 7**

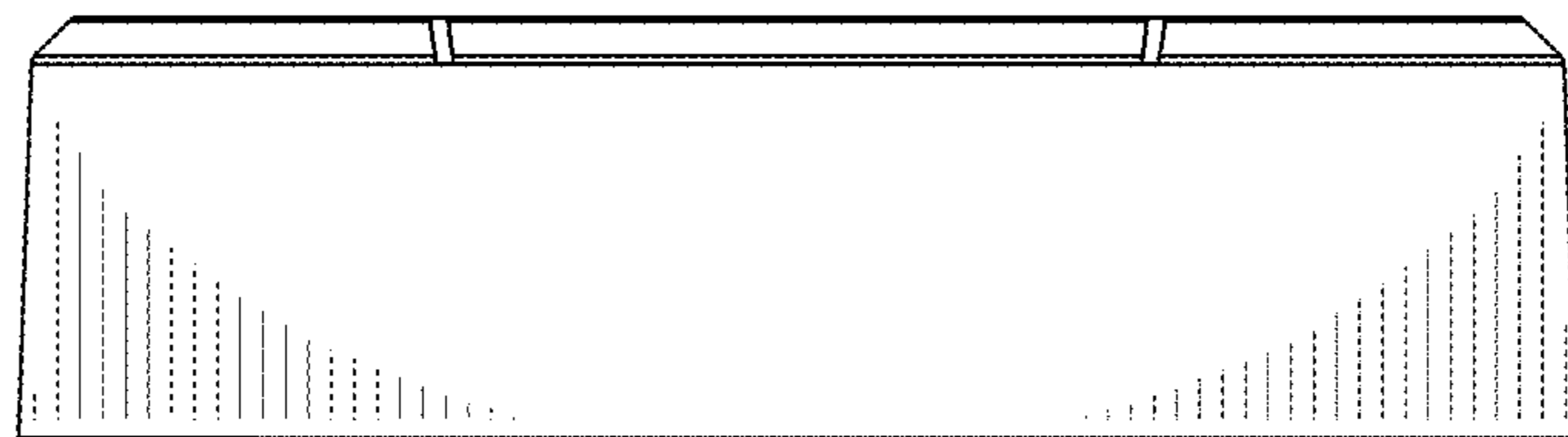


**FIG. 8**

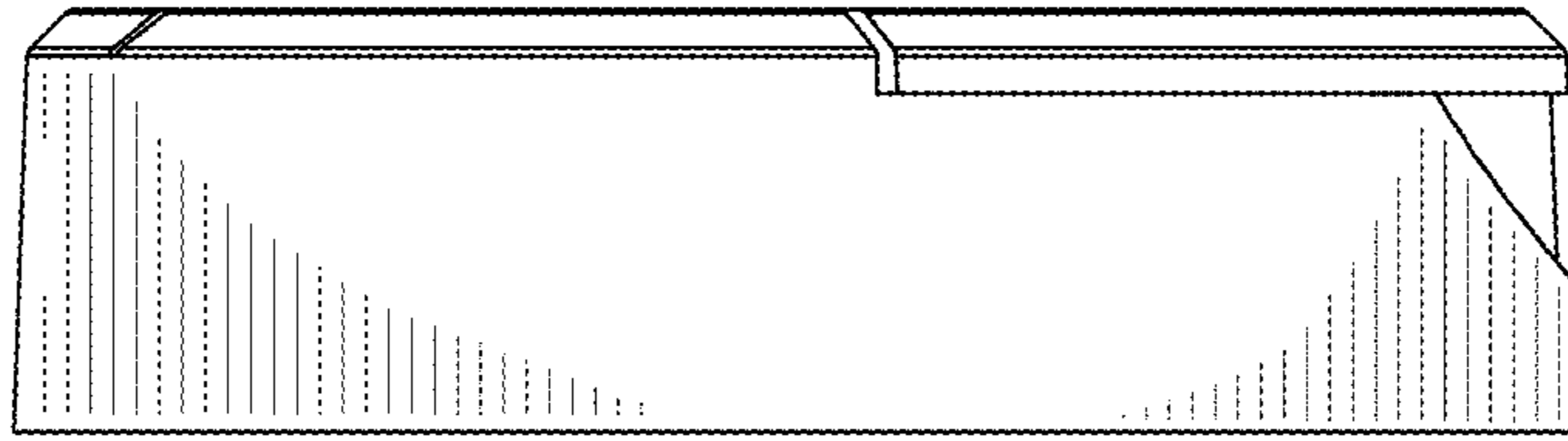




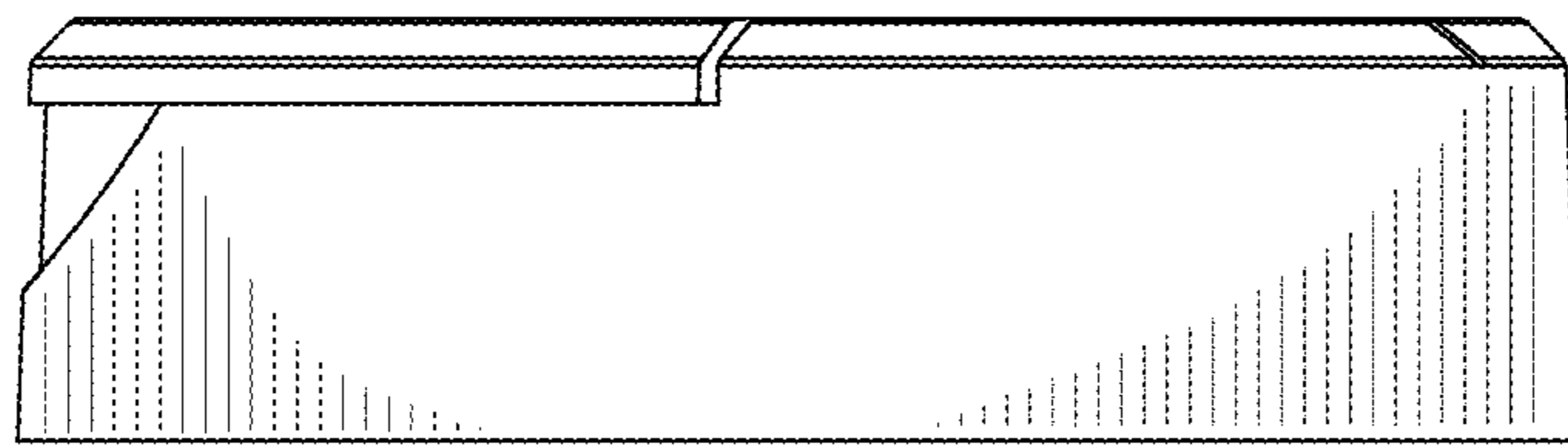
**FIG. 9**



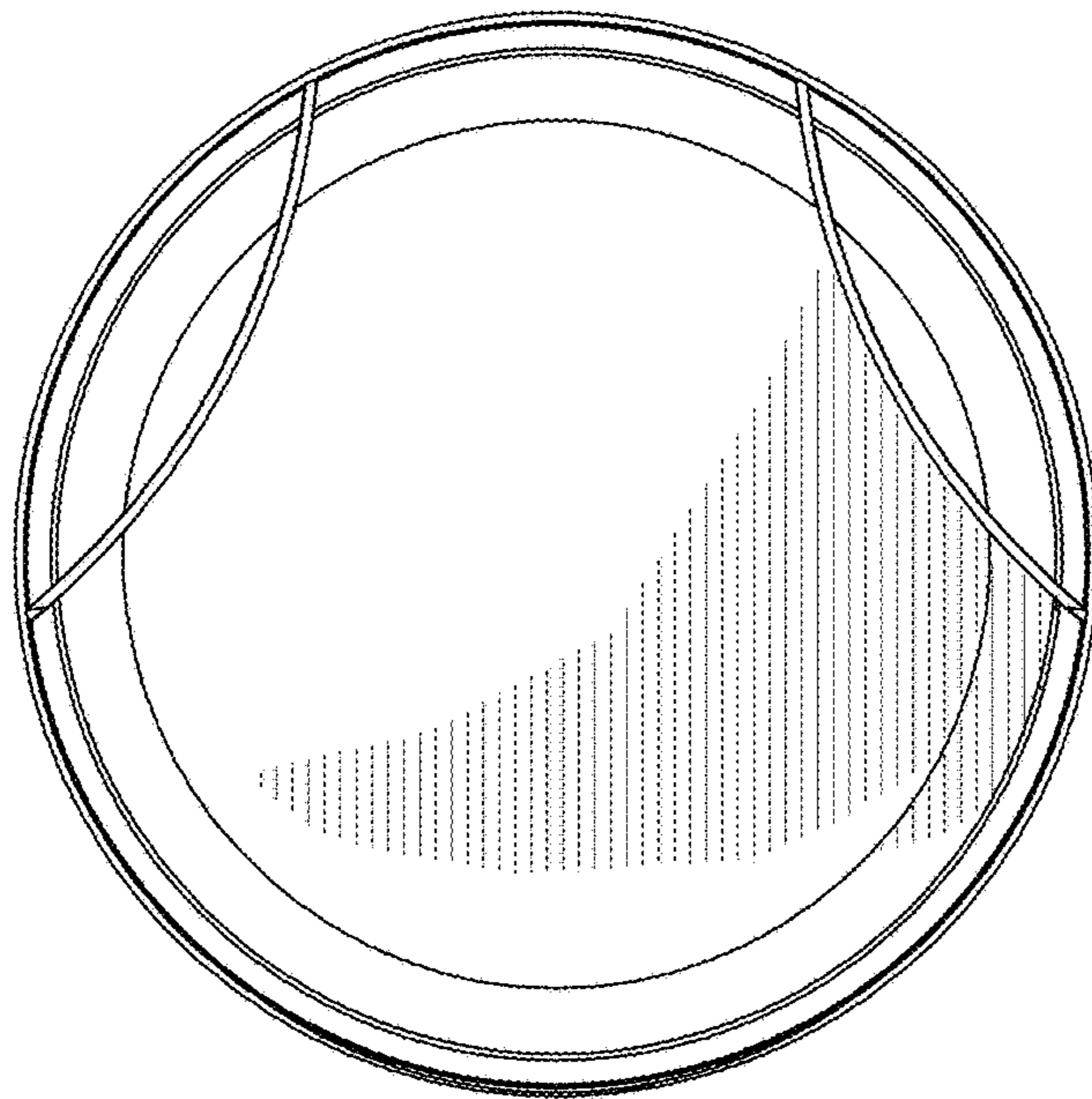
**FIG. 10**



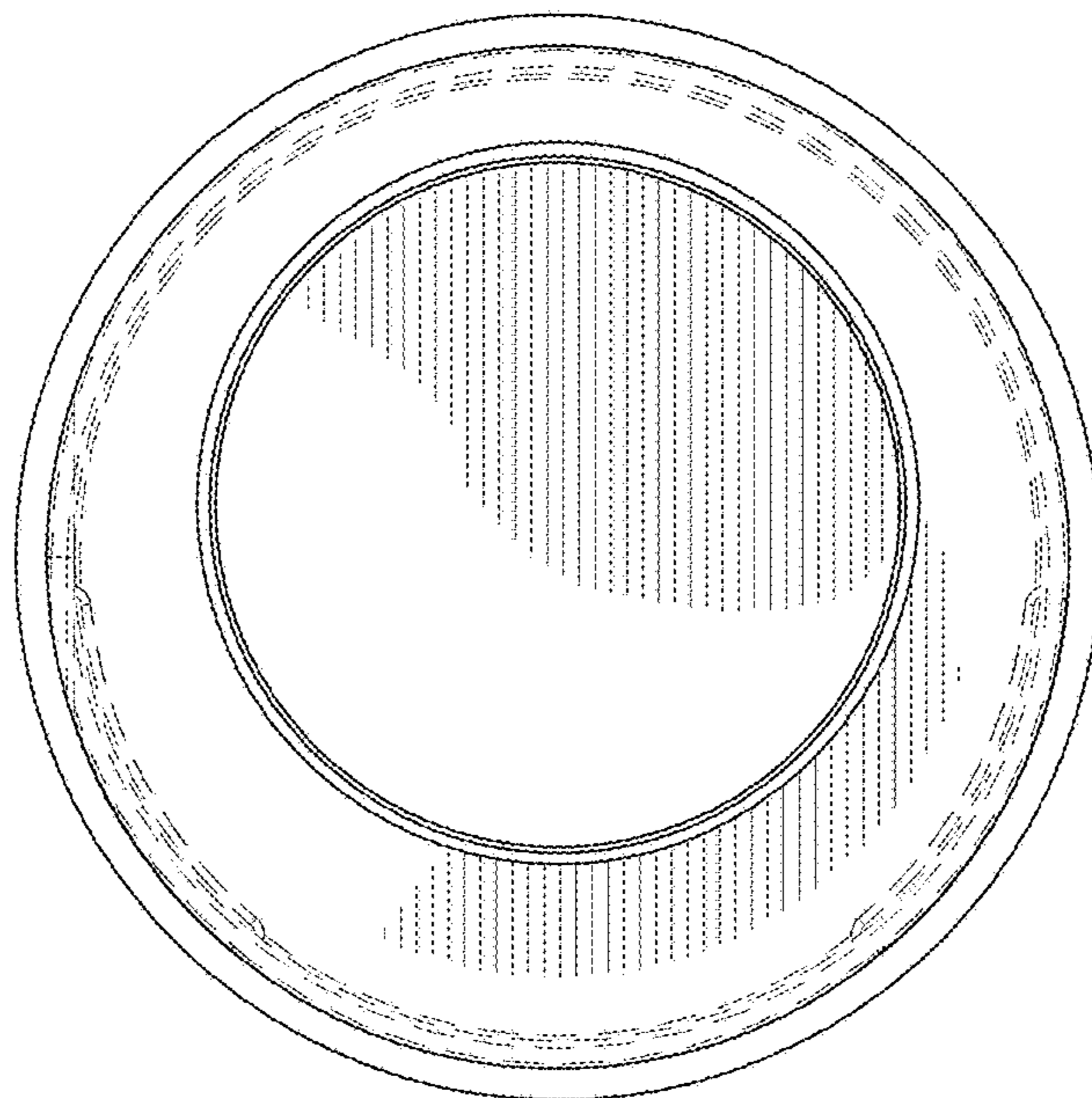
**FIG. 11**



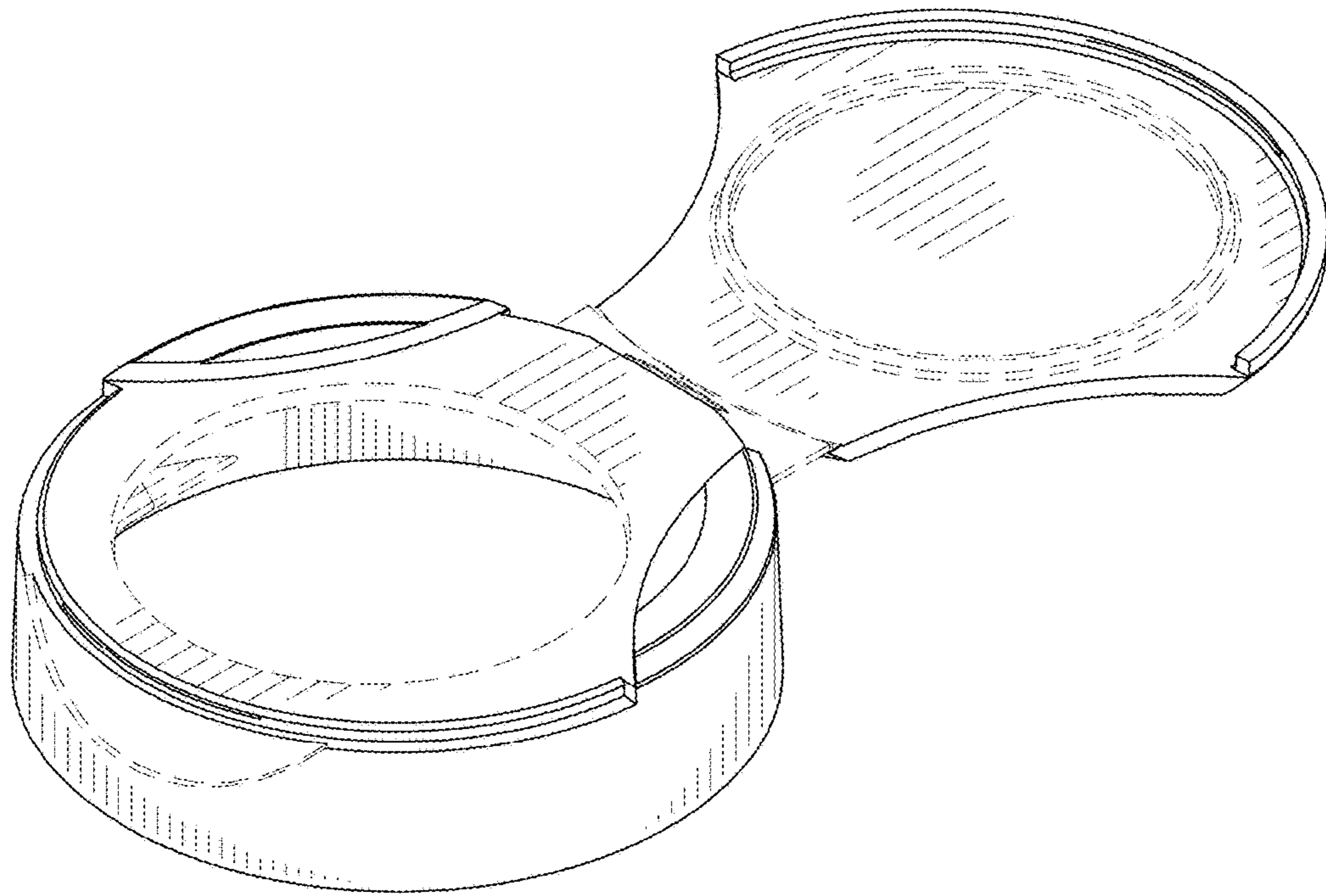
**FIG. 12**



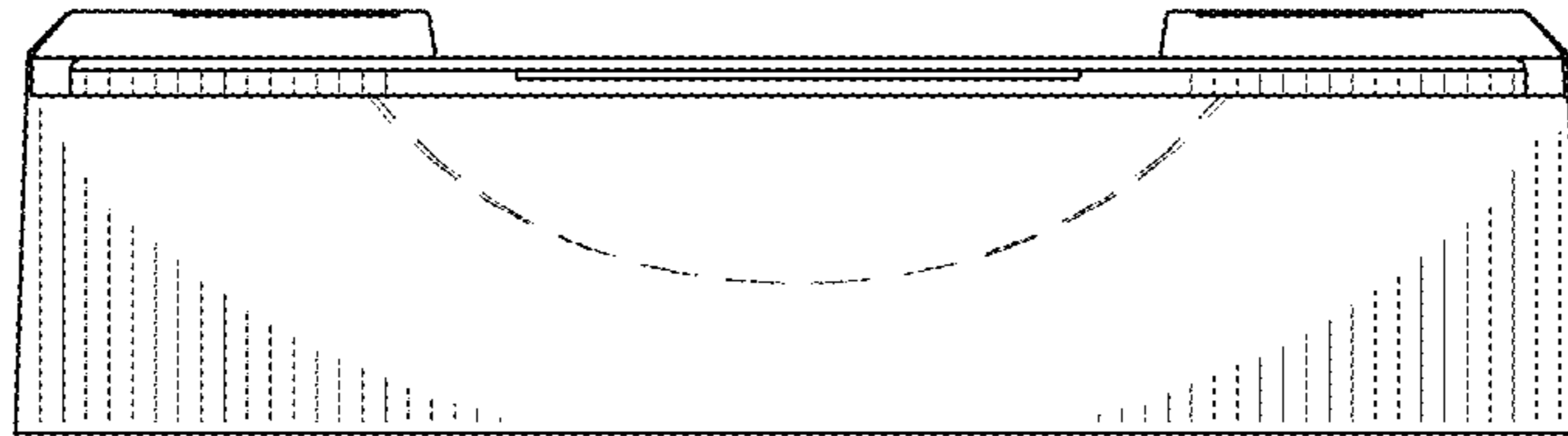
**FIG. 13**



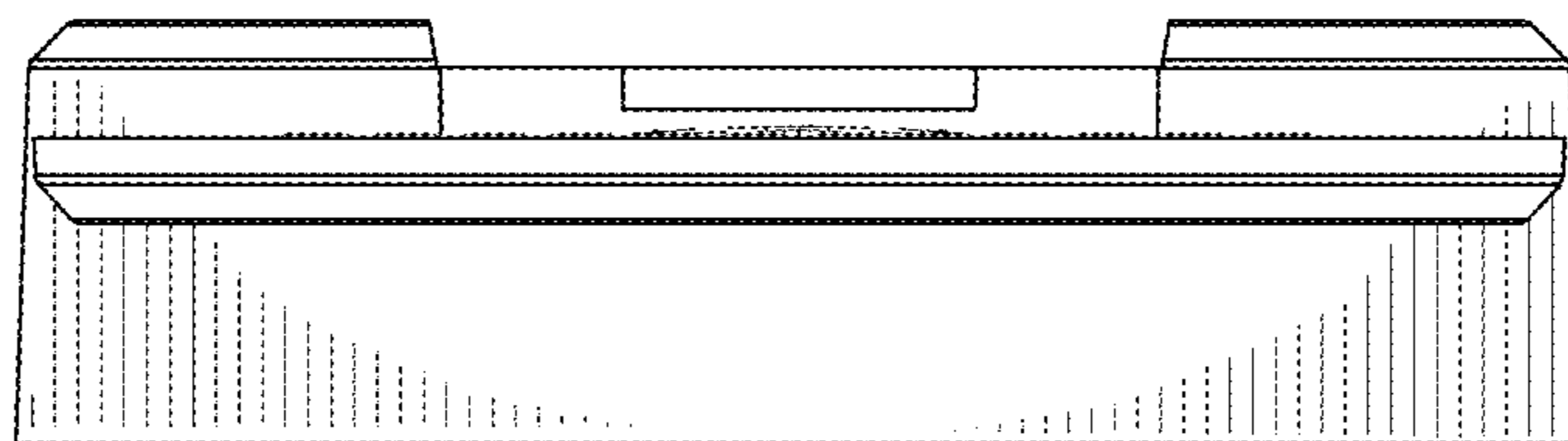
**FIG. 14**



**FIG. 15**

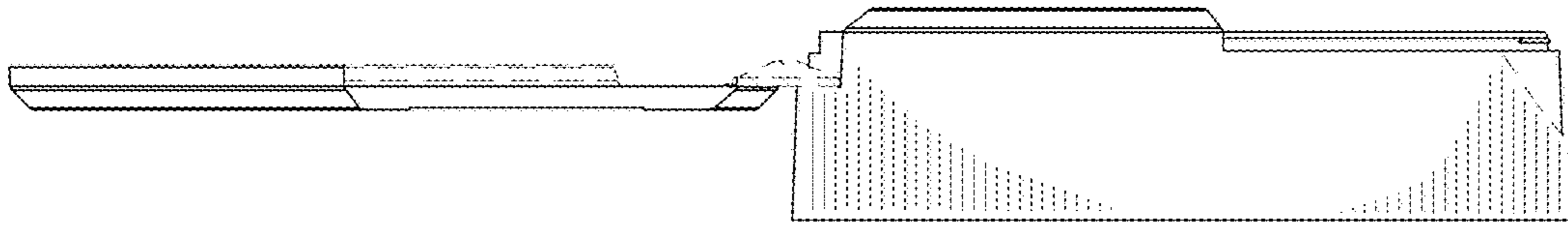


**FIG. 16**

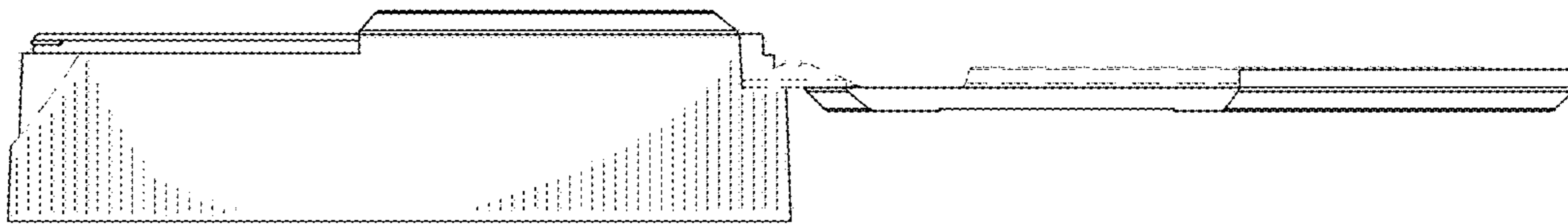


**FIG. 17**

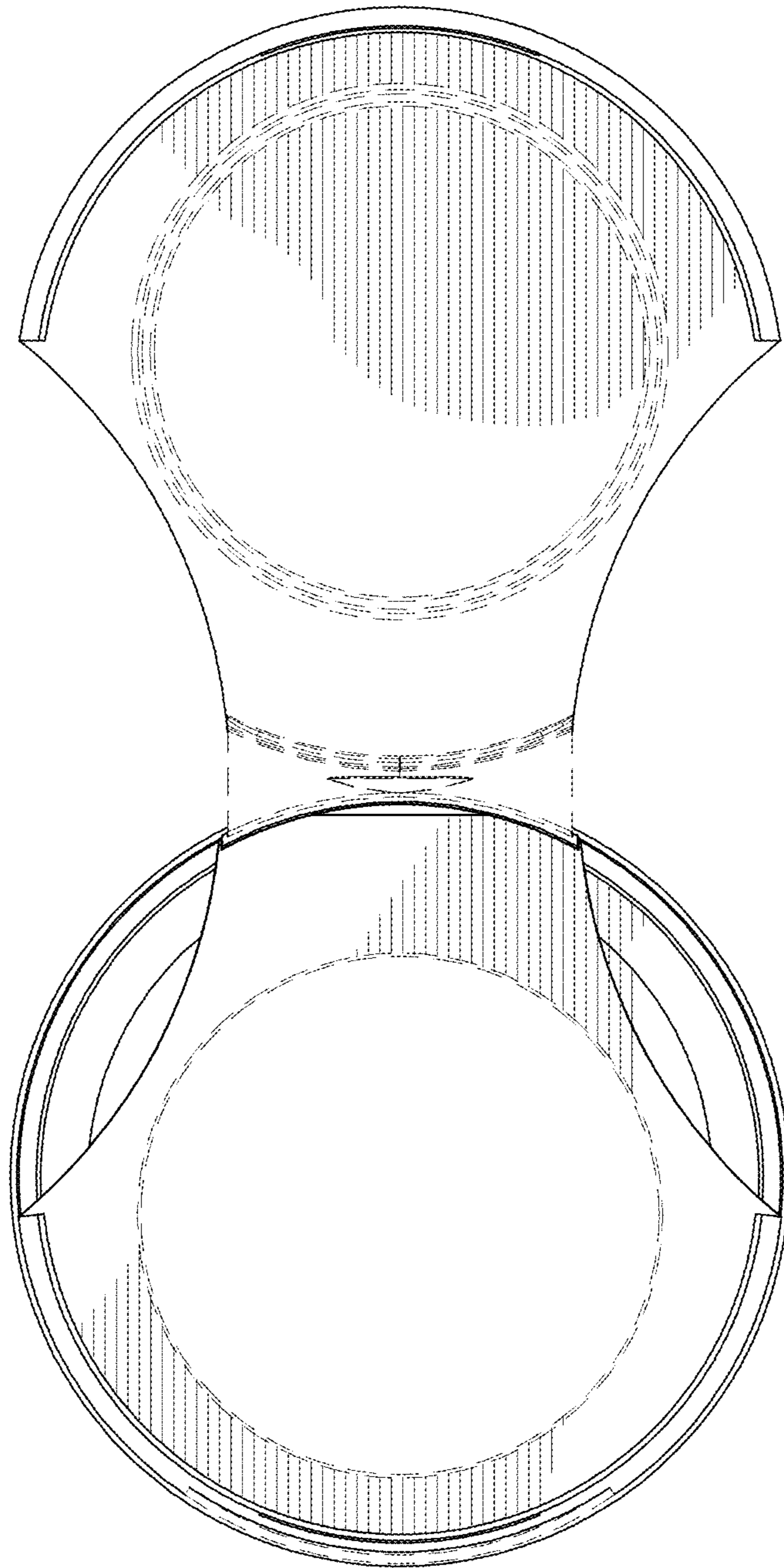




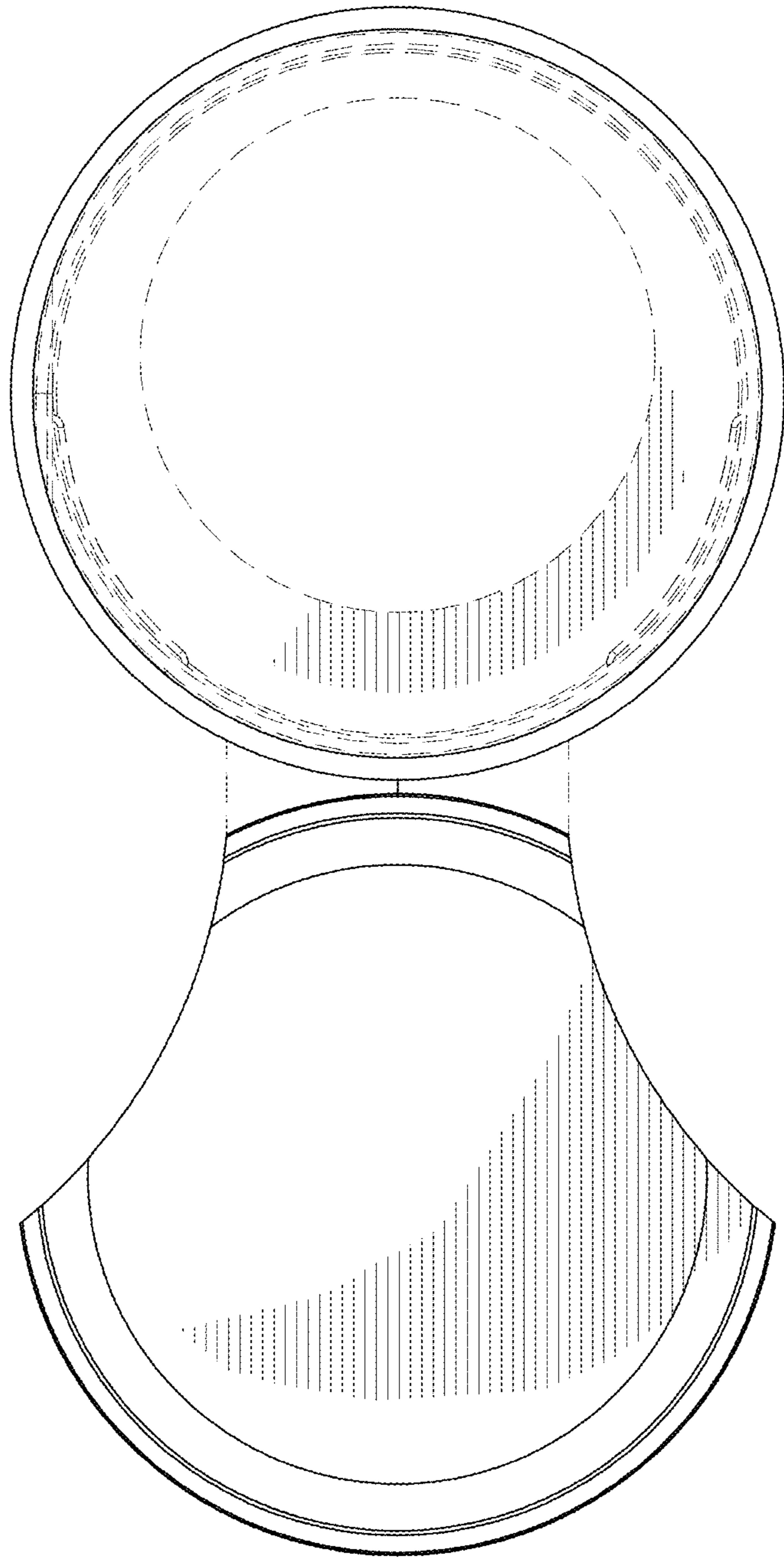
**FIG. 18**



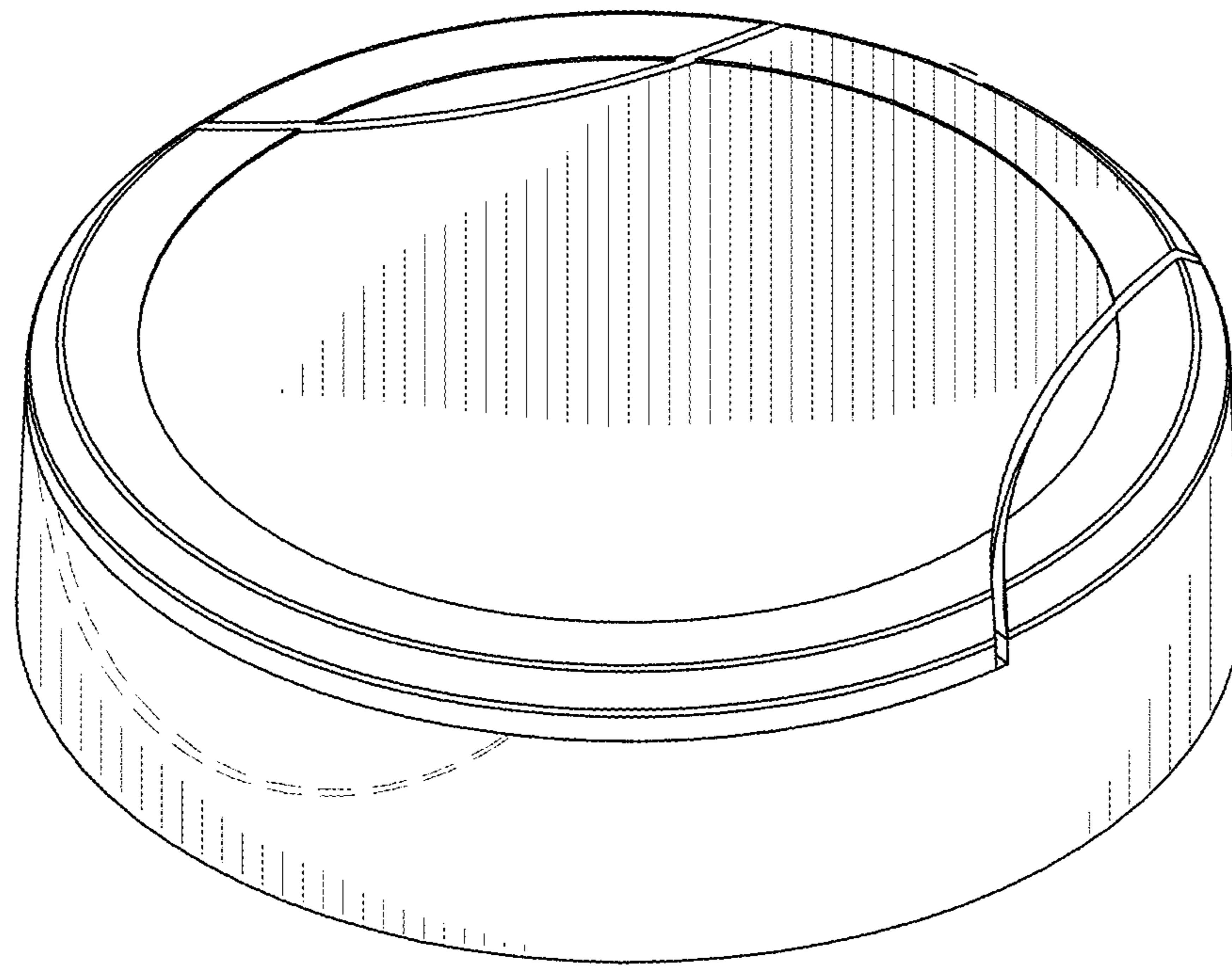
**FIG. 19**



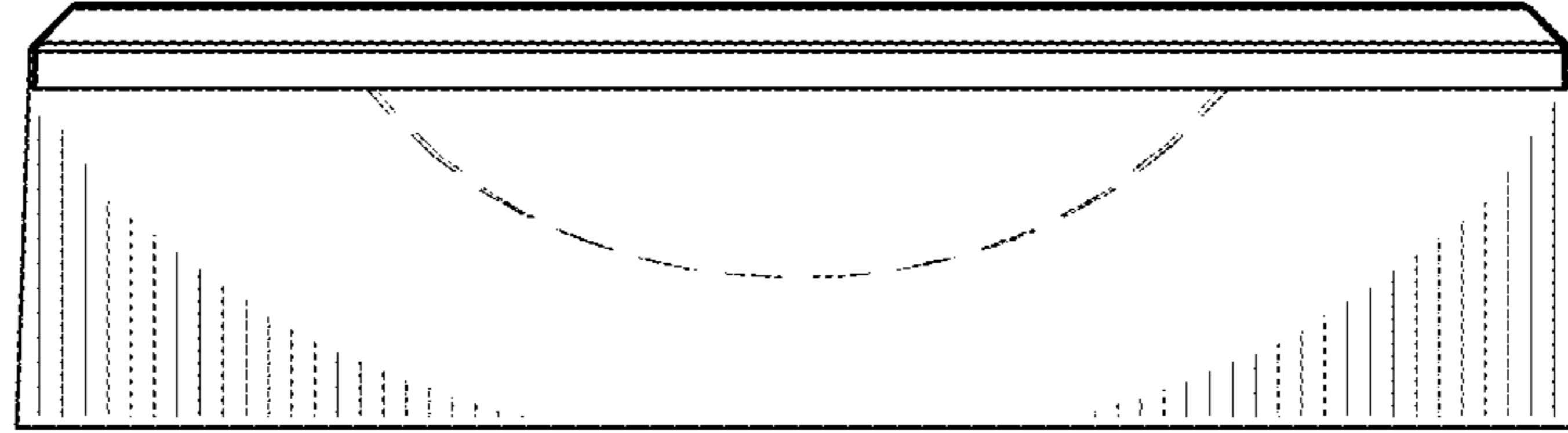
**FIG. 20**



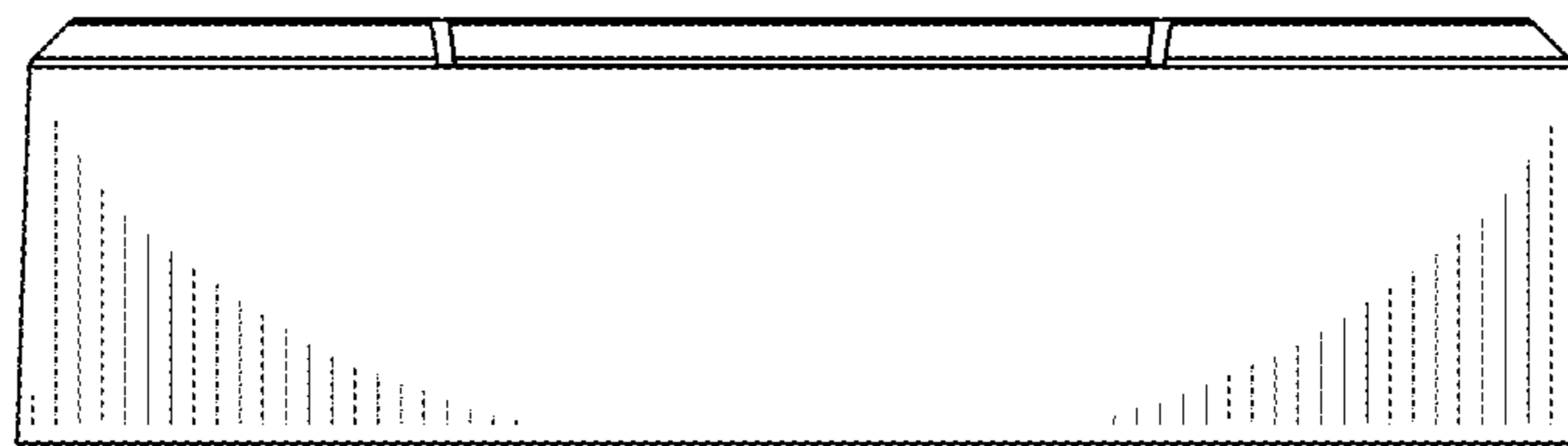
**FIG. 21**



**FIG. 22**

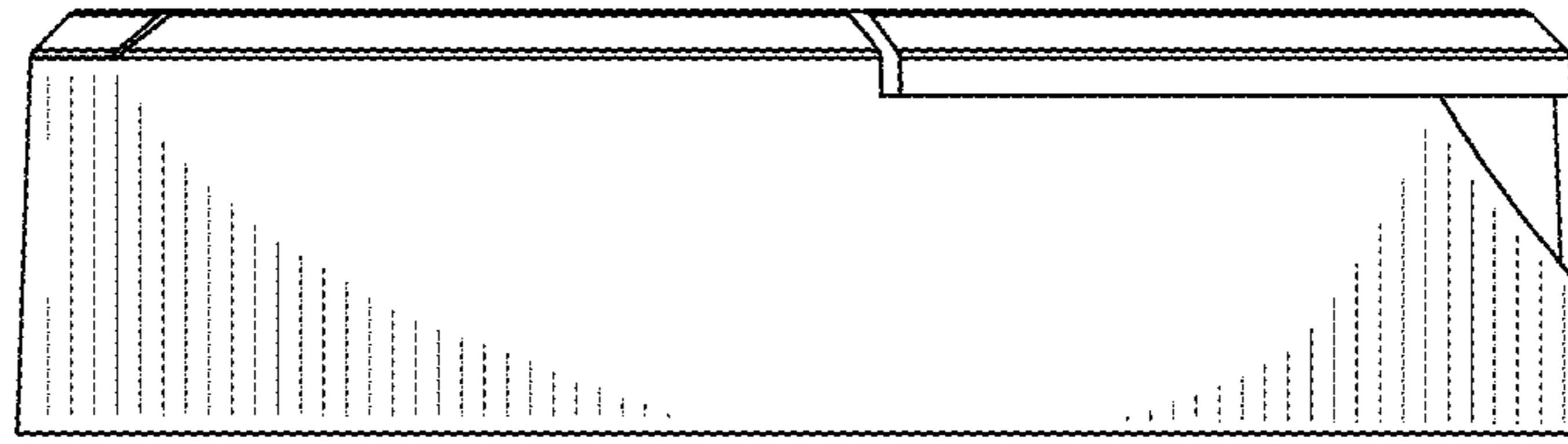


**FIG. 23**

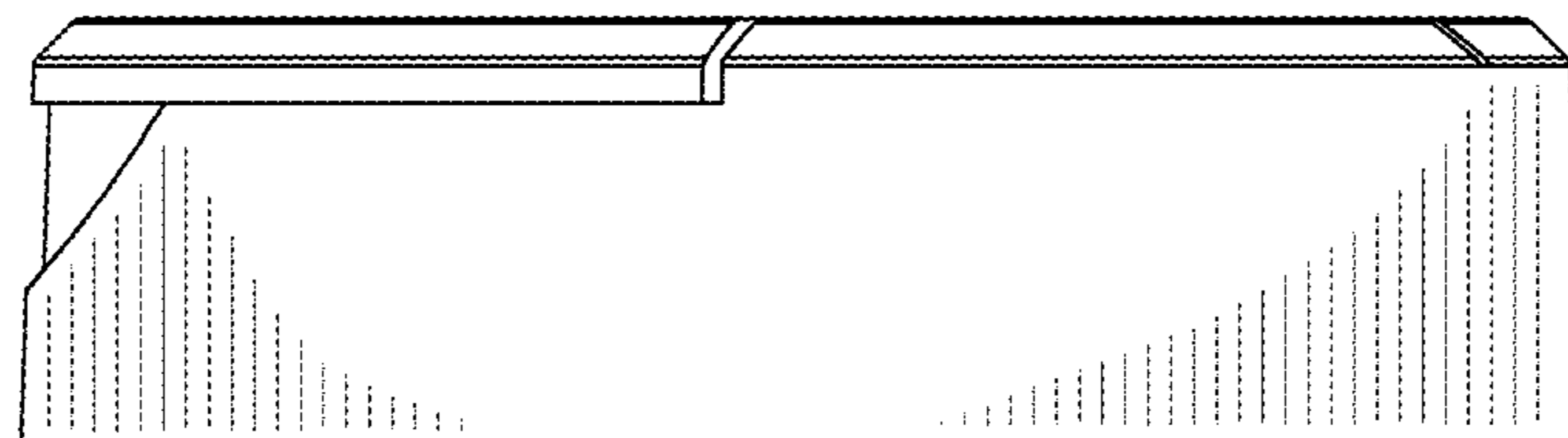


**FIG. 24**

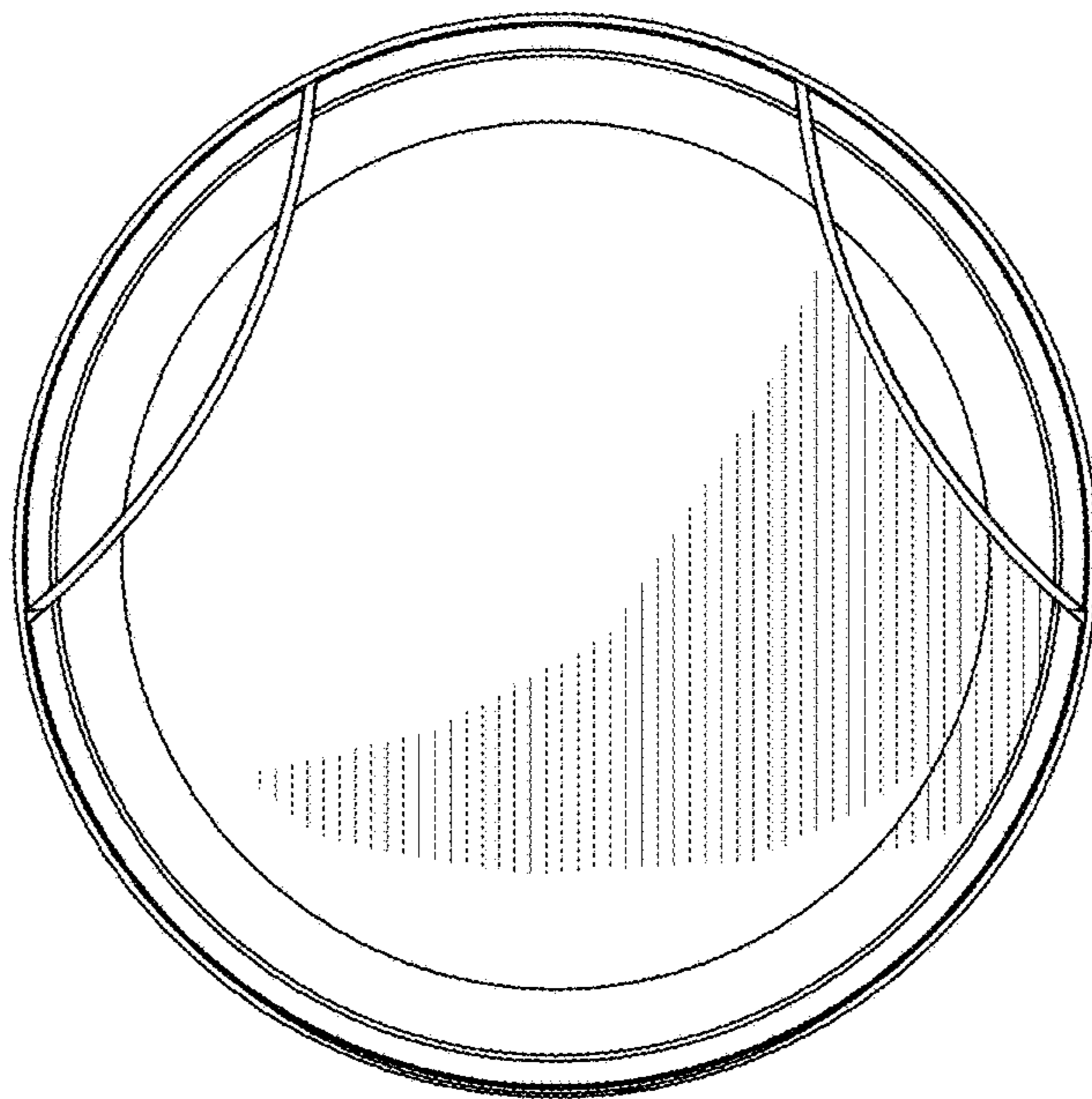




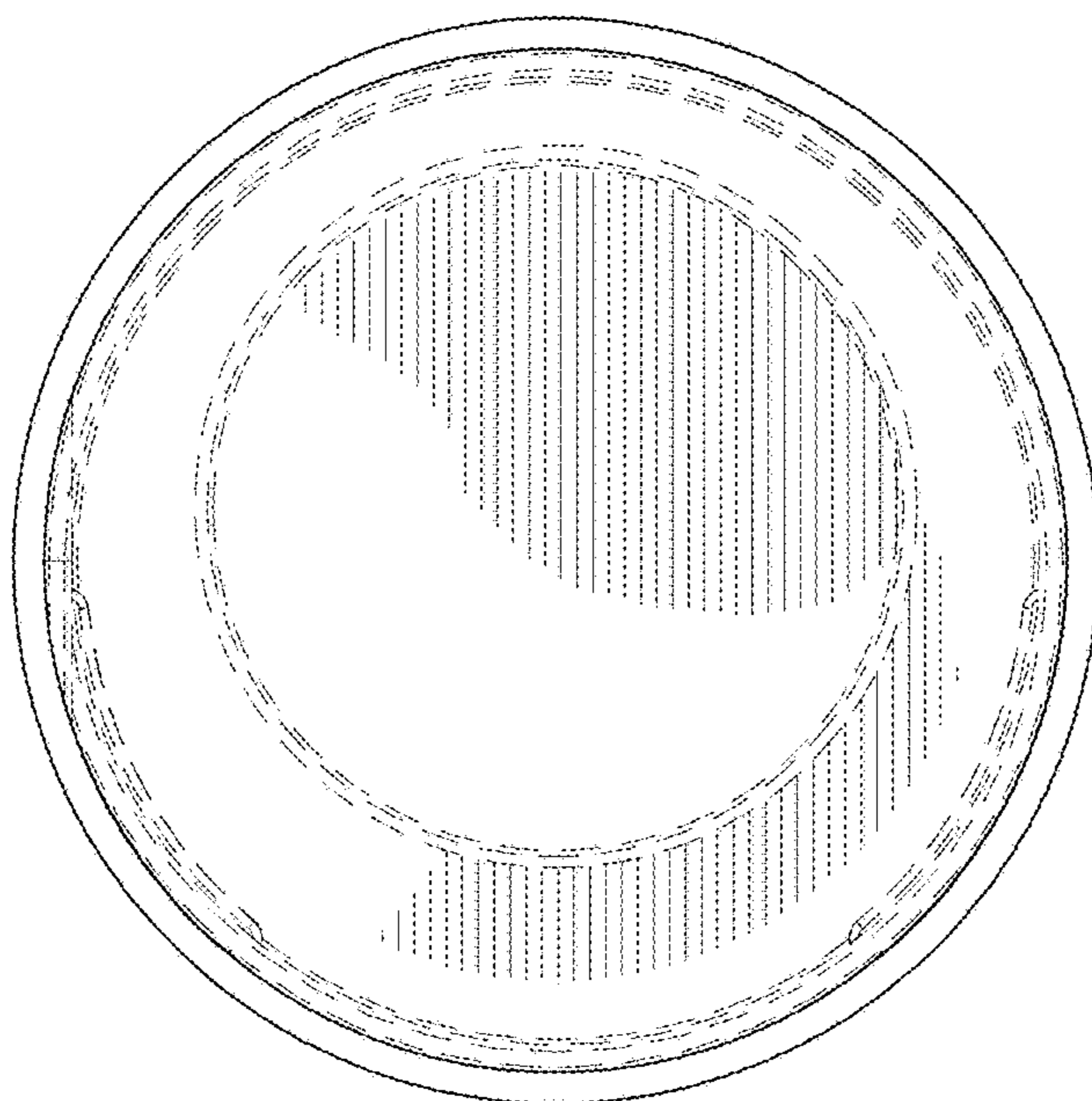
**FIG. 25**



**FIG. 26**



**FIG. 27**



**FIG. 28**