



US00D794457S

(12) **United States Design Patent**
Pellingra et al.

(10) **Patent No.:** **US D794,457 S**

(45) **Date of Patent:** **** Aug. 15, 2017**

(54) **FLIP TOP CAP**

(71) Applicant: **ProAmpac**, Cincinnati, OH (US)

(72) Inventors: **Salvatore J. Pellingra**, Newport, KY (US); **Benjamin M. Davis**, West Chester, OH (US)

(73) Assignee: **ProAmpac**, Cincinnati, OH (US)

(**) Term: **15 Years**

(21) Appl. No.: **29/554,445**

(22) Filed: **Feb. 11, 2016**

Related U.S. Application Data

(62) Division of application No. 29/481,300, filed on Feb. 4, 2014, now abandoned.

(51) **LOC (10) Cl.** **09-07**

(52) **U.S. Cl.**
USPC **D9/449**

(58) **Field of Classification Search**

USPC D7/392, 398; D9/434, 435, 439, 440, D9/446-450, 453, 454, 499, 515, 737, D9/739; 222/153.02, 153.14, 553, 556, 222/566, 575; 215/235, 236, 237
CPC B65D 47/10; B65D 47/065; B65D 47/08
See application file for complete search history.

(56) **References Cited**

U.S. PATENT DOCUMENTS

D254,899 S * 5/1980 Tada D9/448
4,254,889 A * 3/1981 Jacobs B65D 39/12
215/358
5,273,172 A * 12/1993 Rossbach B65D 47/2043
215/229
D370,630 S * 6/1996 Robbins, III D9/449
D371,297 S * 7/1996 Robbins, III D9/436
D398,813 S * 9/1998 Franzese D7/396.1

D457,384 S * 5/2002 Randolph D7/392.1
D462,806 S * 9/2002 Draghetti D27/189
D529,380 S * 10/2006 Yelland D9/447
7,156,228 B2 * 1/2007 Brizzi B65D 5/6691
206/268
D677,158 S * 3/2013 Delaney D9/449

(Continued)

Primary Examiner — Robert M Spear

(74) *Attorney, Agent, or Firm* — Perman & Green, LLP

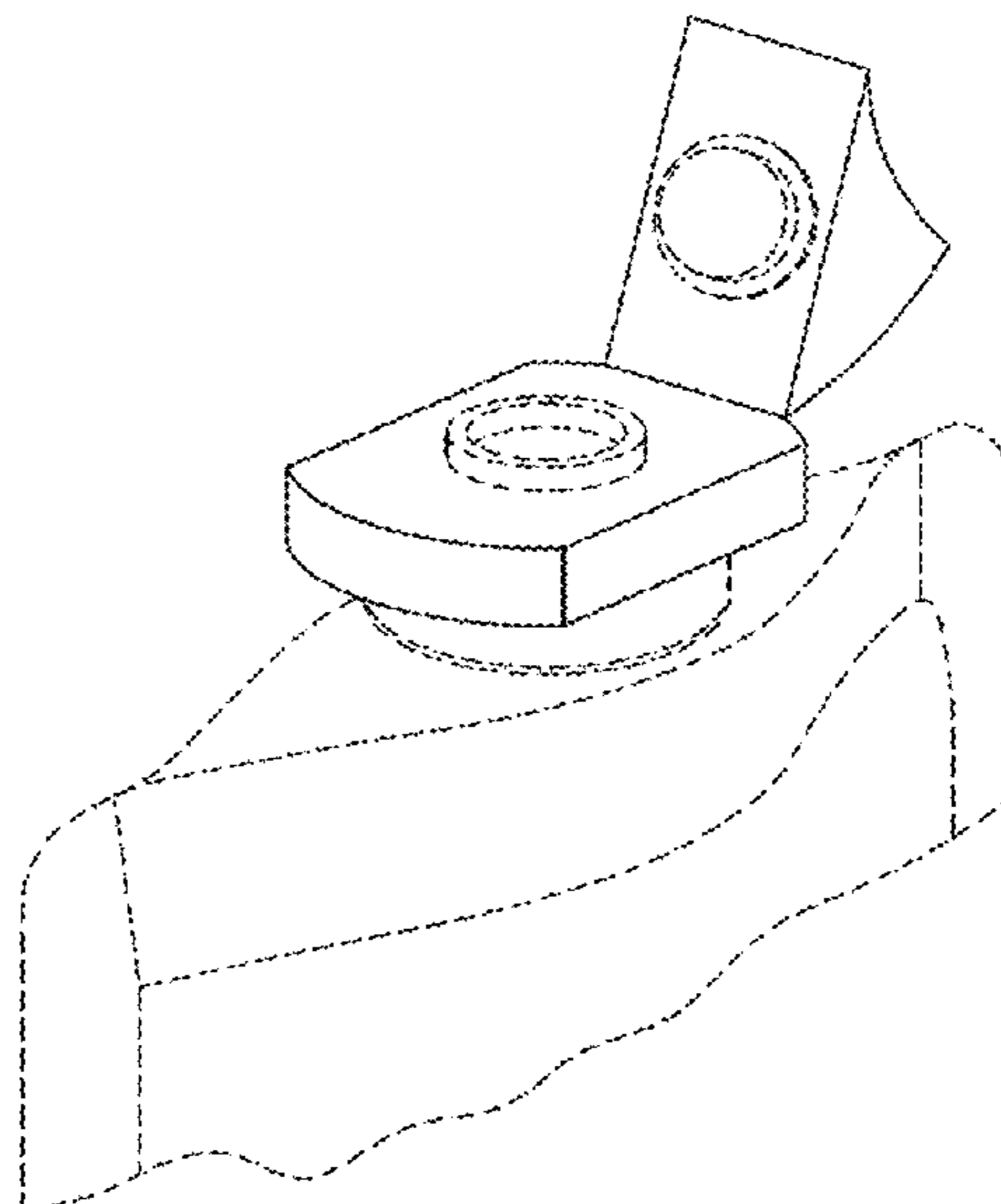
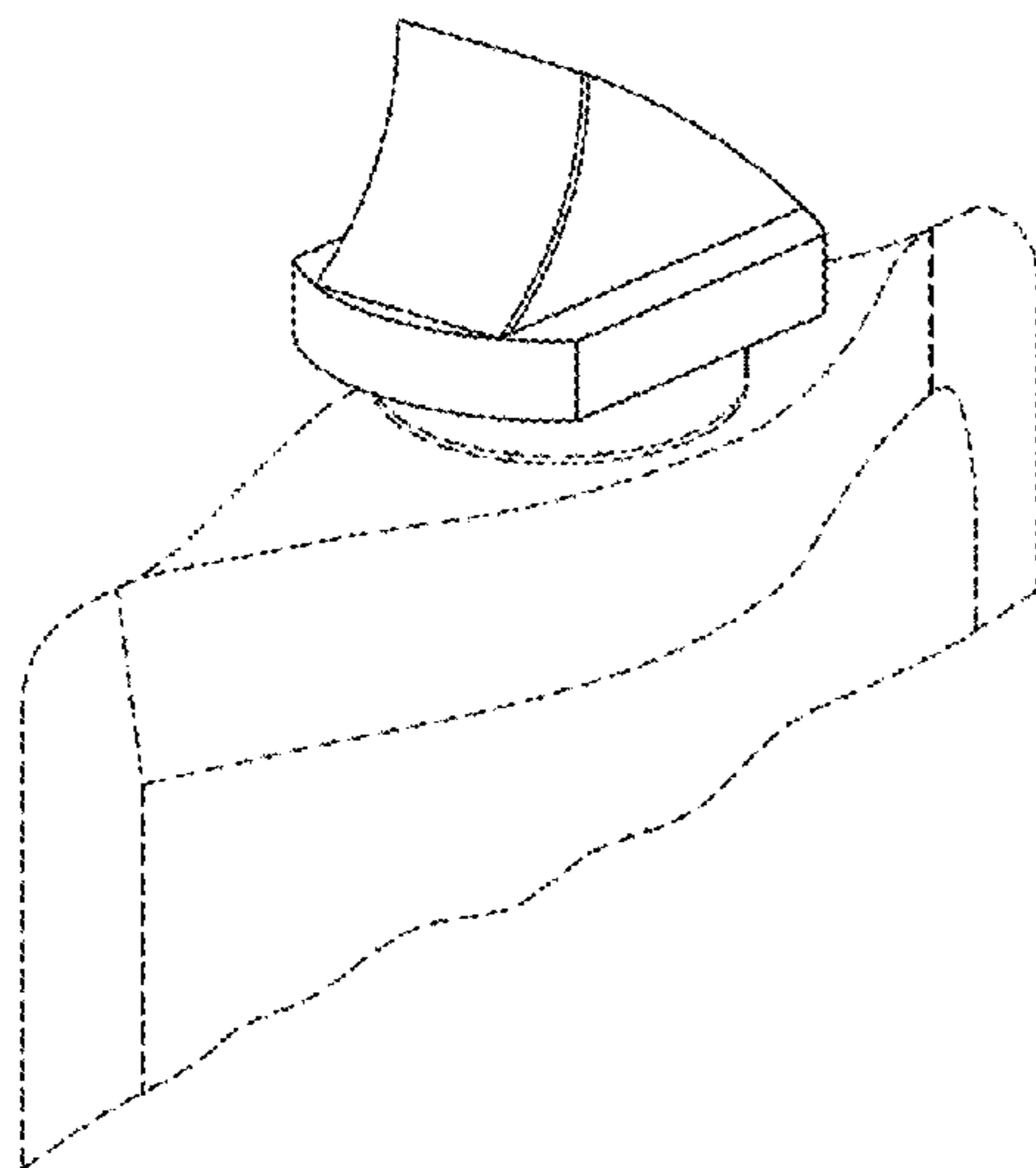
(57) **CLAIM**

The ornamental design for a flip top cap, as shown and described.

DESCRIPTION

FIG. 1 is a front perspective view of a flip top cap affixed to a pouch in accordance with a first embodiment of our design; FIG. 2 is a top elevation view of the flip top cap of FIG. 1; FIG. 3 is a front elevation view of the flip top cap of FIG. 1; FIG. 4 is a right side elevation view of the flip top cap of FIG. 1; FIG. 5 is a front perspective view of a flip top cap of FIG. 1 with the flip top cap in the open position; FIG. 6 is a front perspective view of a flip top cap affixed to a pouch in accordance with a second embodiment of our design; FIG. 7 is a top elevation view of the flip top cap of FIG. 6; FIG. 8 is a front elevation view of the flip top cap of FIG. 6; FIG. 9 is a right side elevation view of the flip top cap of FIG. 6; and, FIG. 10 is a front perspective view of a flip top cap of FIG. 6 with the flip top cap in the open position. The portions of FIG. 1 to FIG. 10 that are shown in broken lines are unclaimed environmental subject matter only and form no part of the claimed design.

1 Claim, 6 Drawing Sheets



(56)

References Cited

U.S. PATENT DOCUMENTS

D721,276 S *	1/2015	Herbst	D7/396.2
D738,737 S *	9/2015	McCay	D9/449
D747,651 S *	1/2016	Hawry	D9/449
D749,950 S *	2/2016	Pellingra	D9/449
2012/0000944 A1 *	1/2012	Romanov	B05B 1/042 222/556

* cited by examiner

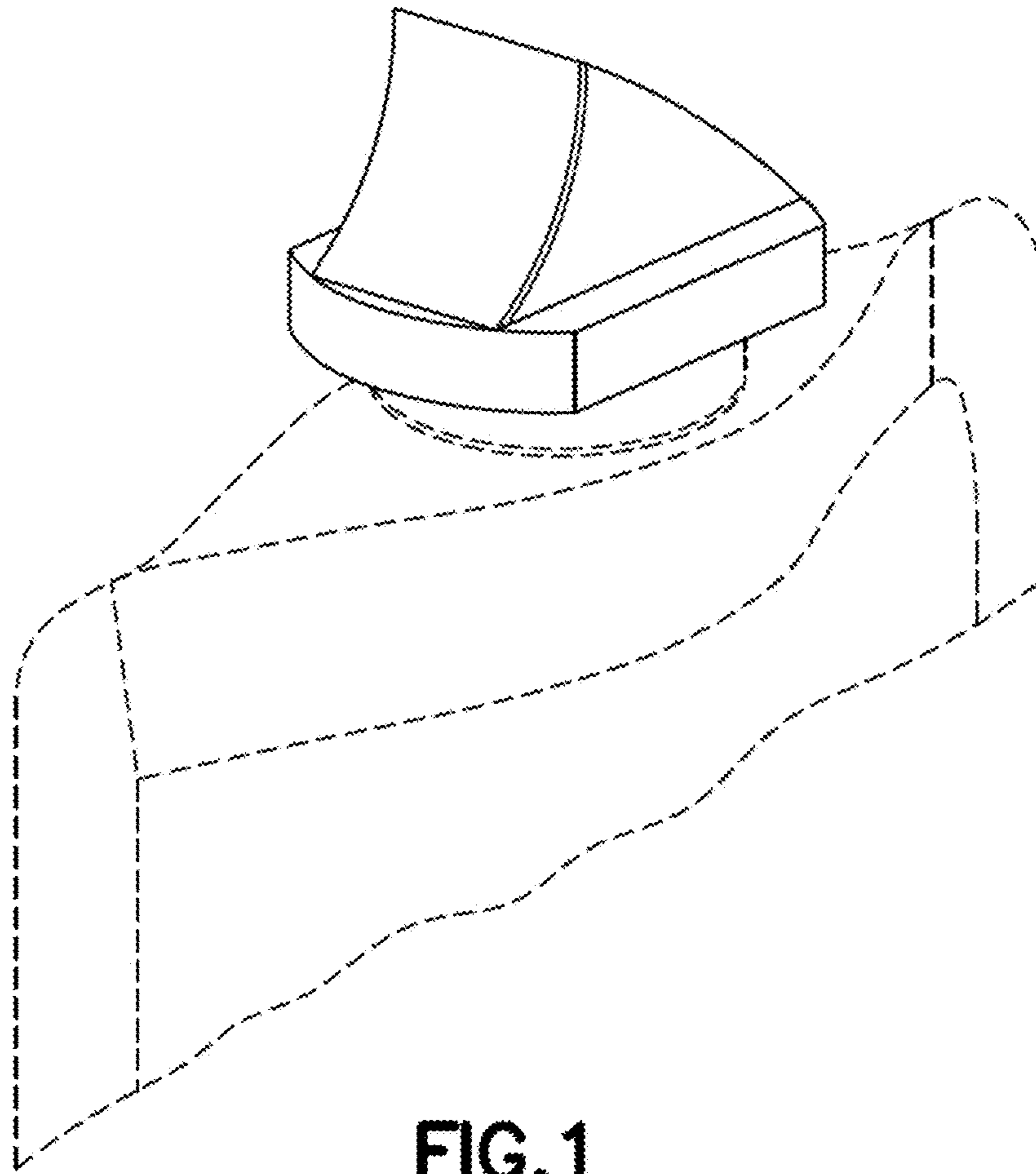


FIG. 1

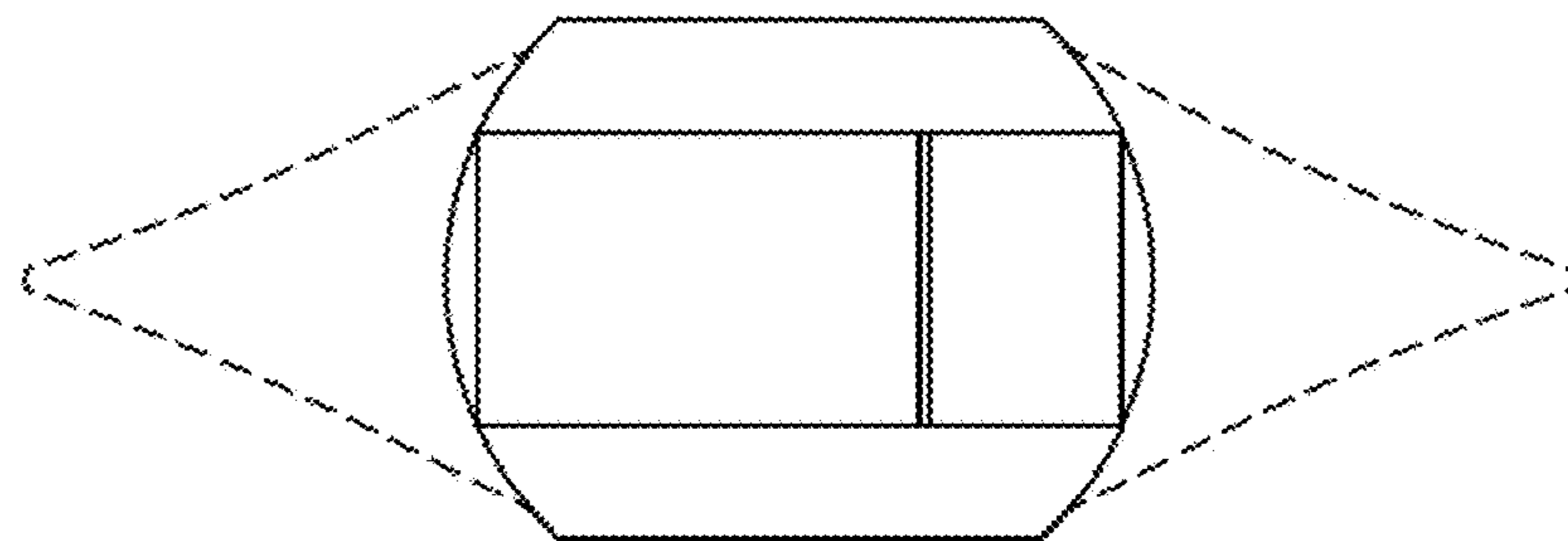


FIG. 2

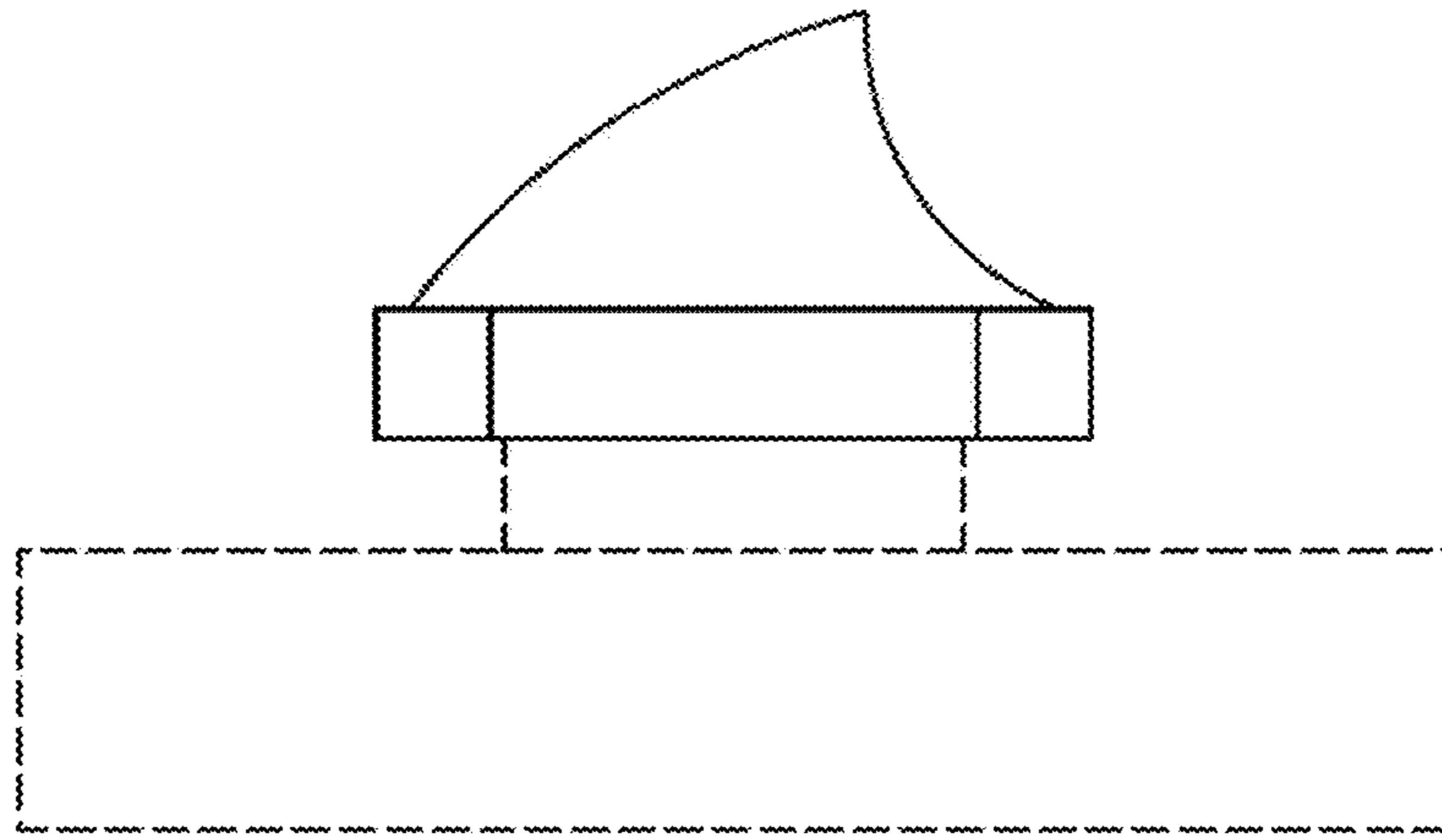


FIG. 3

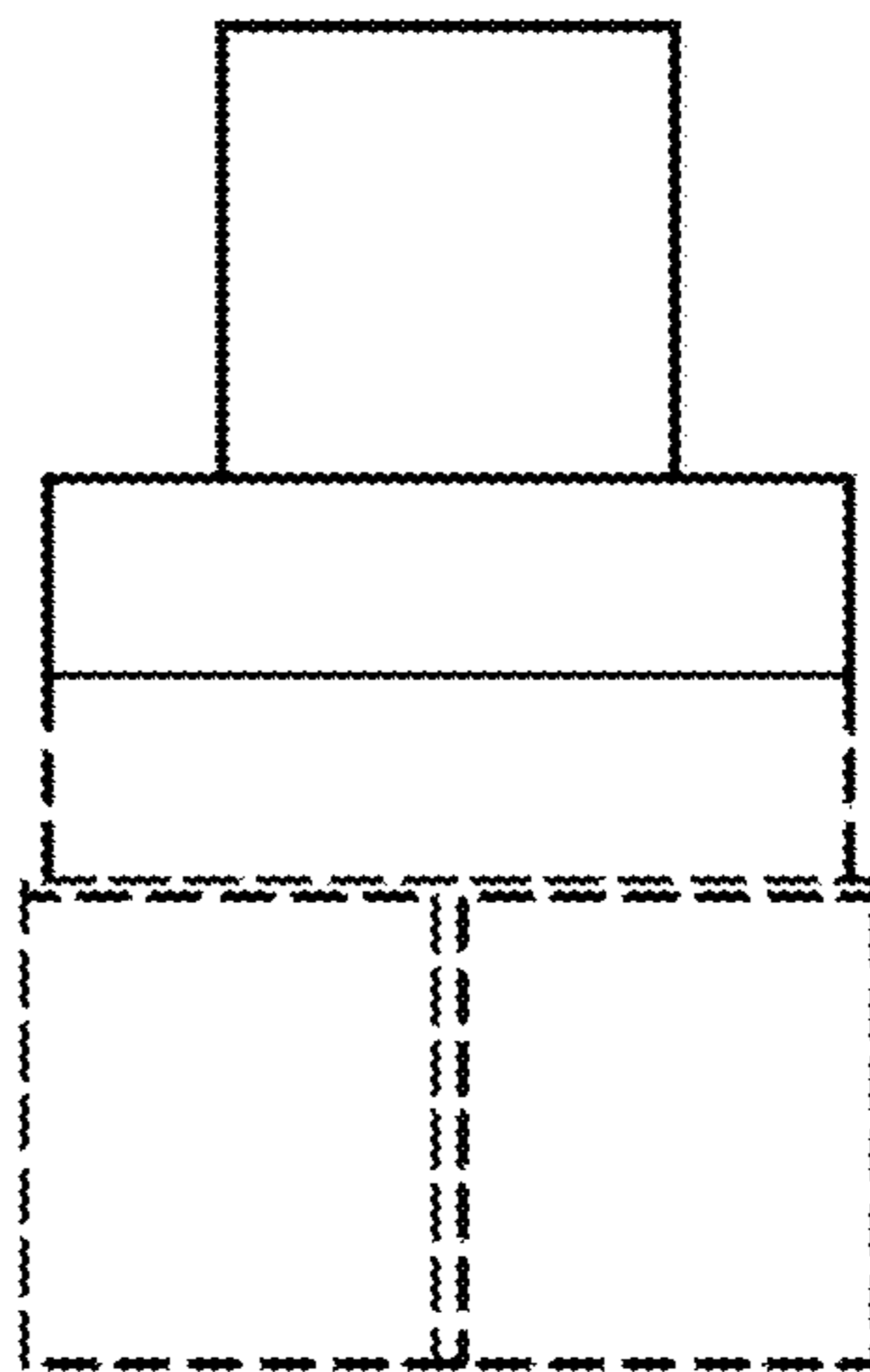


FIG. 4

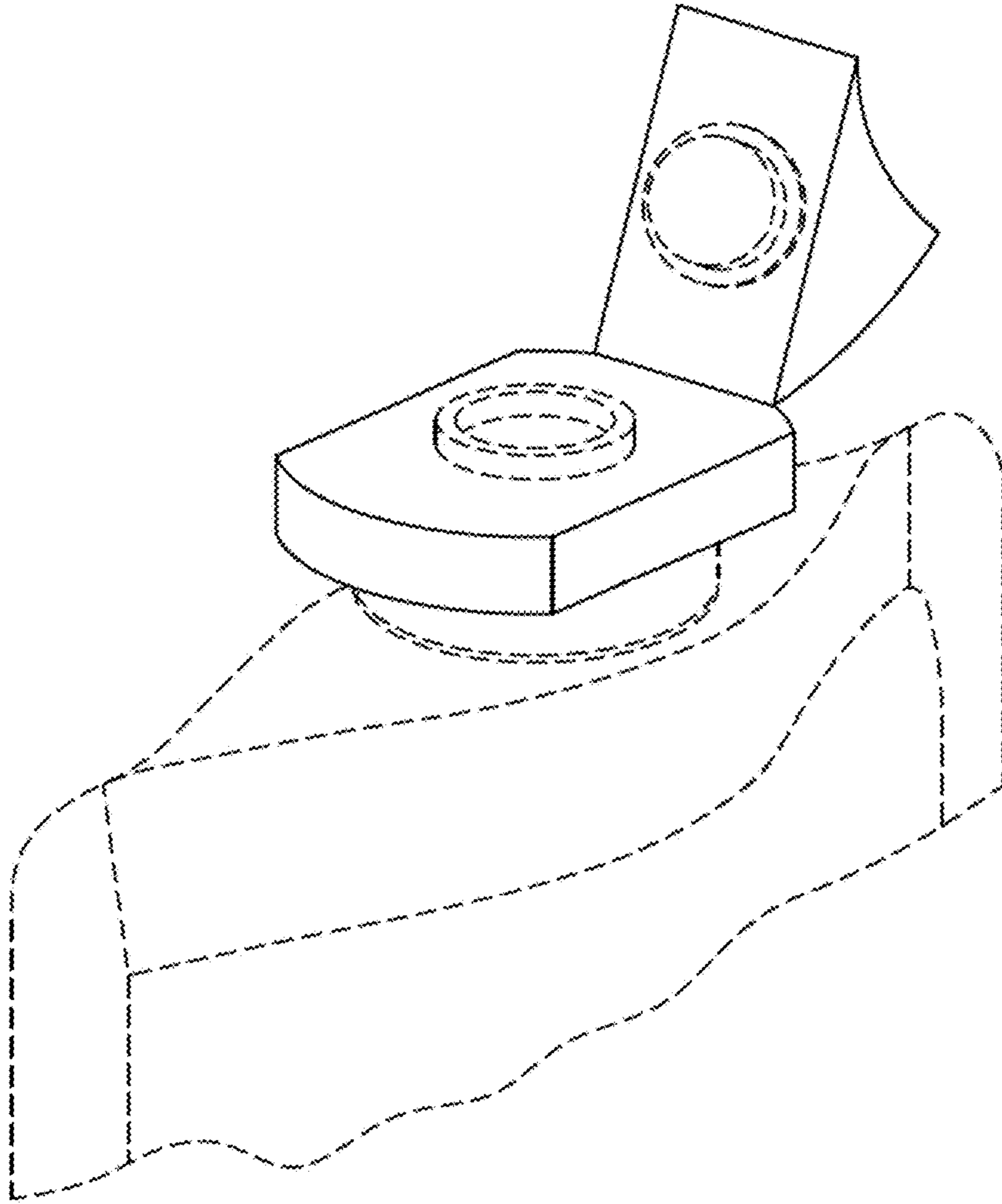


FIG. 5

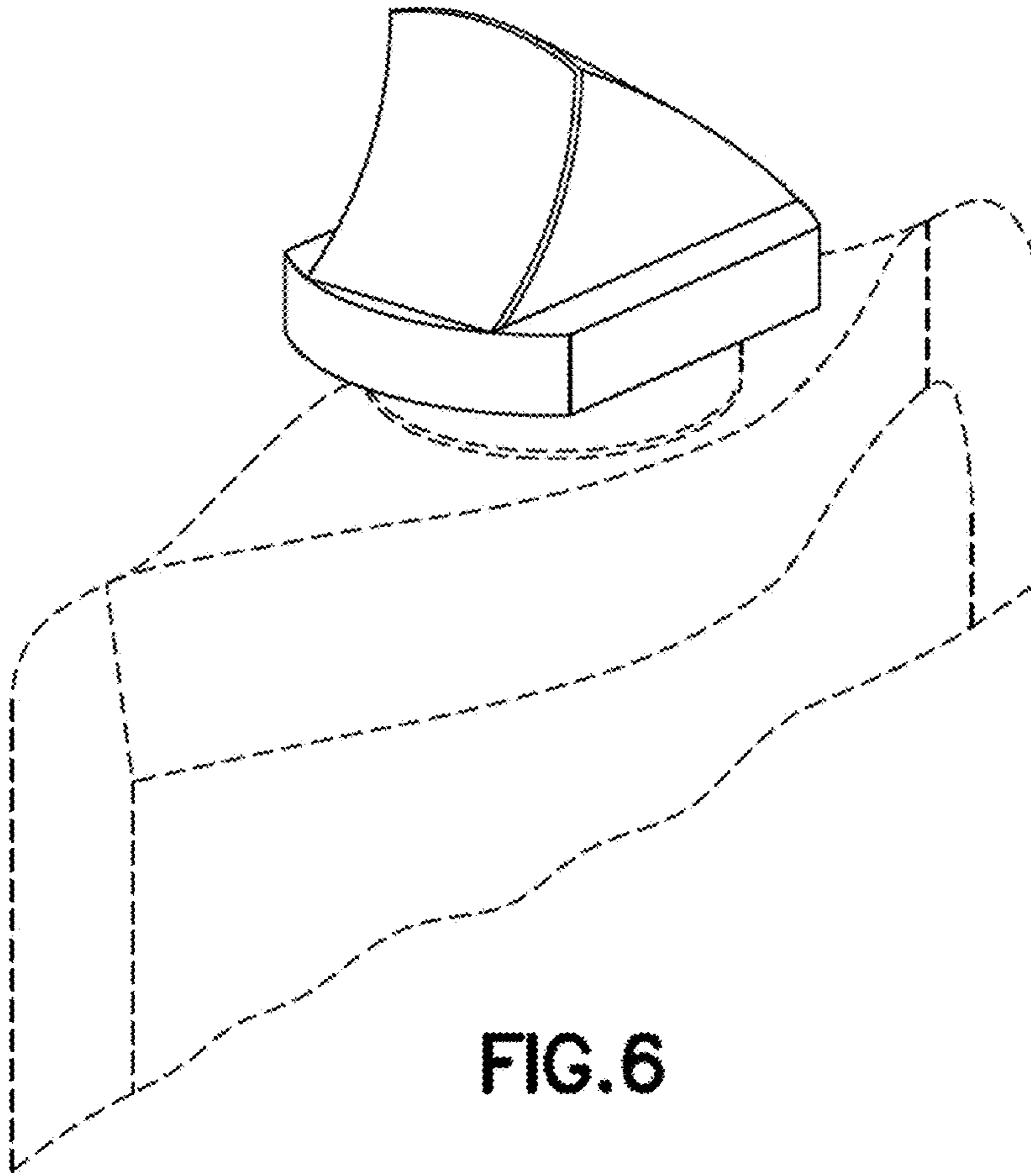


FIG. 6

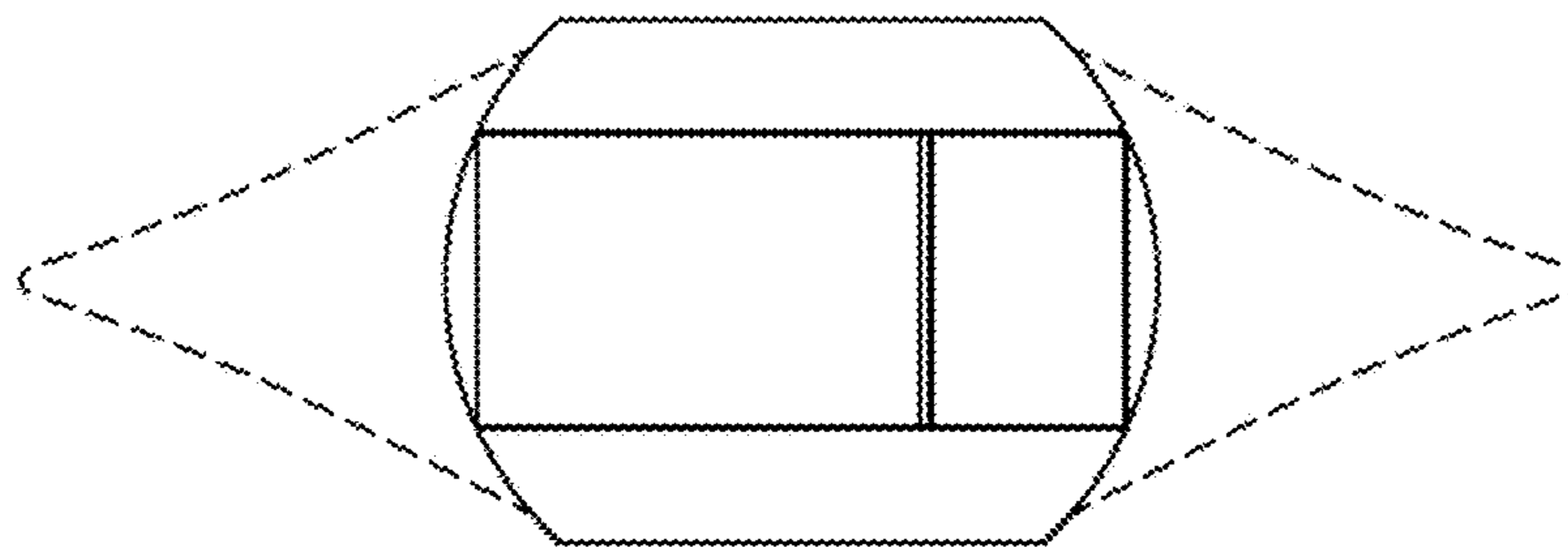


FIG. 7

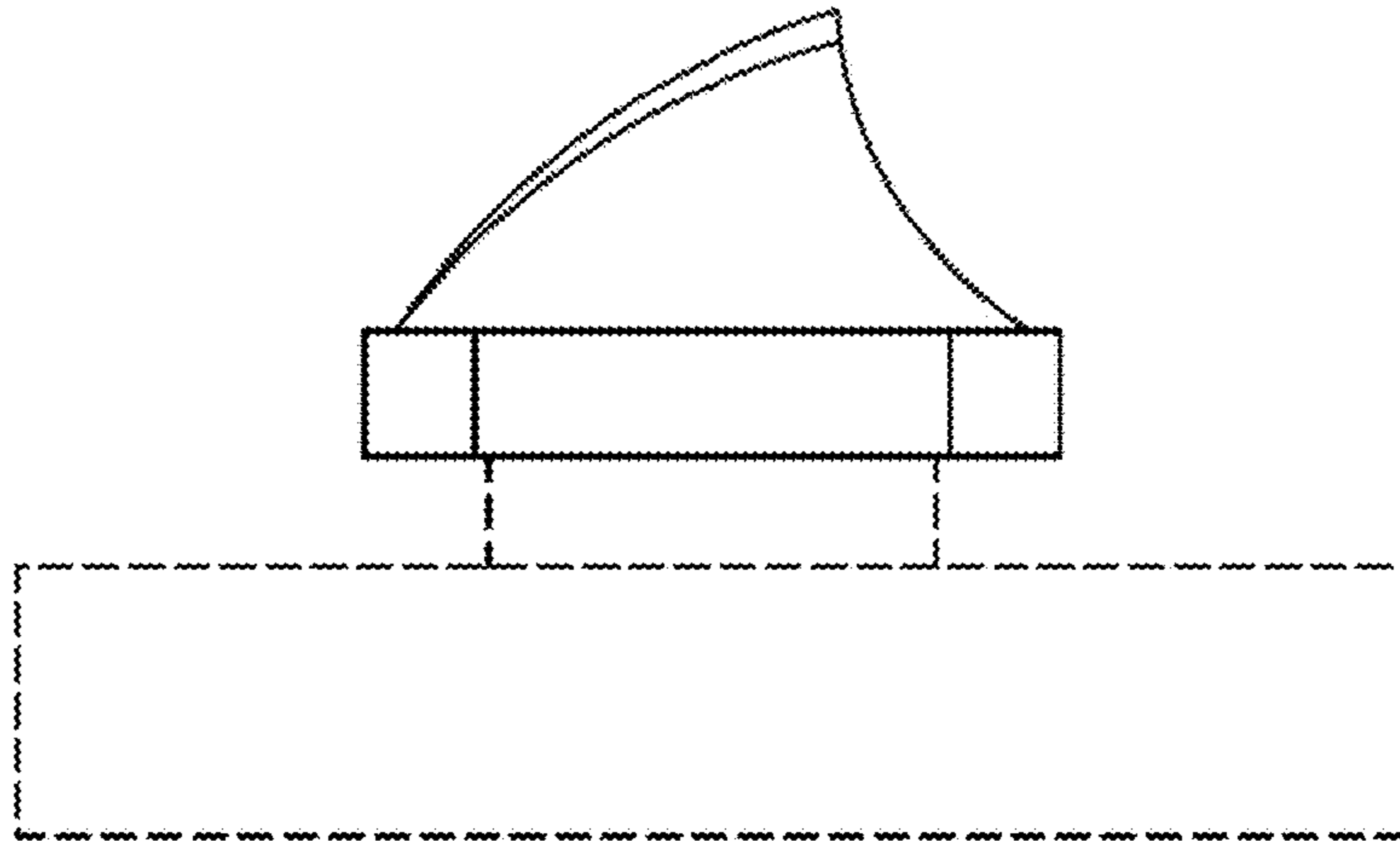


FIG. 8

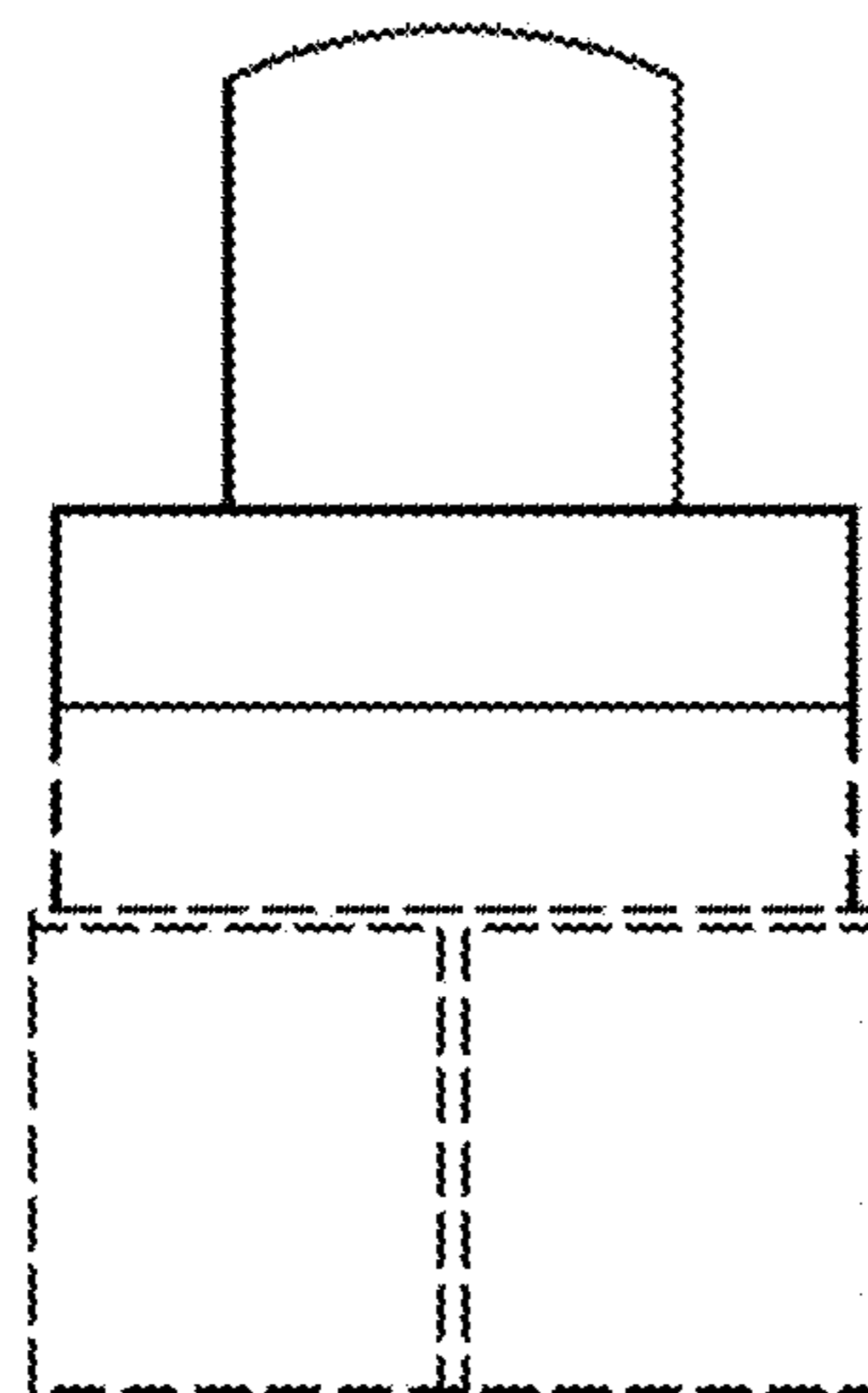


FIG. 9

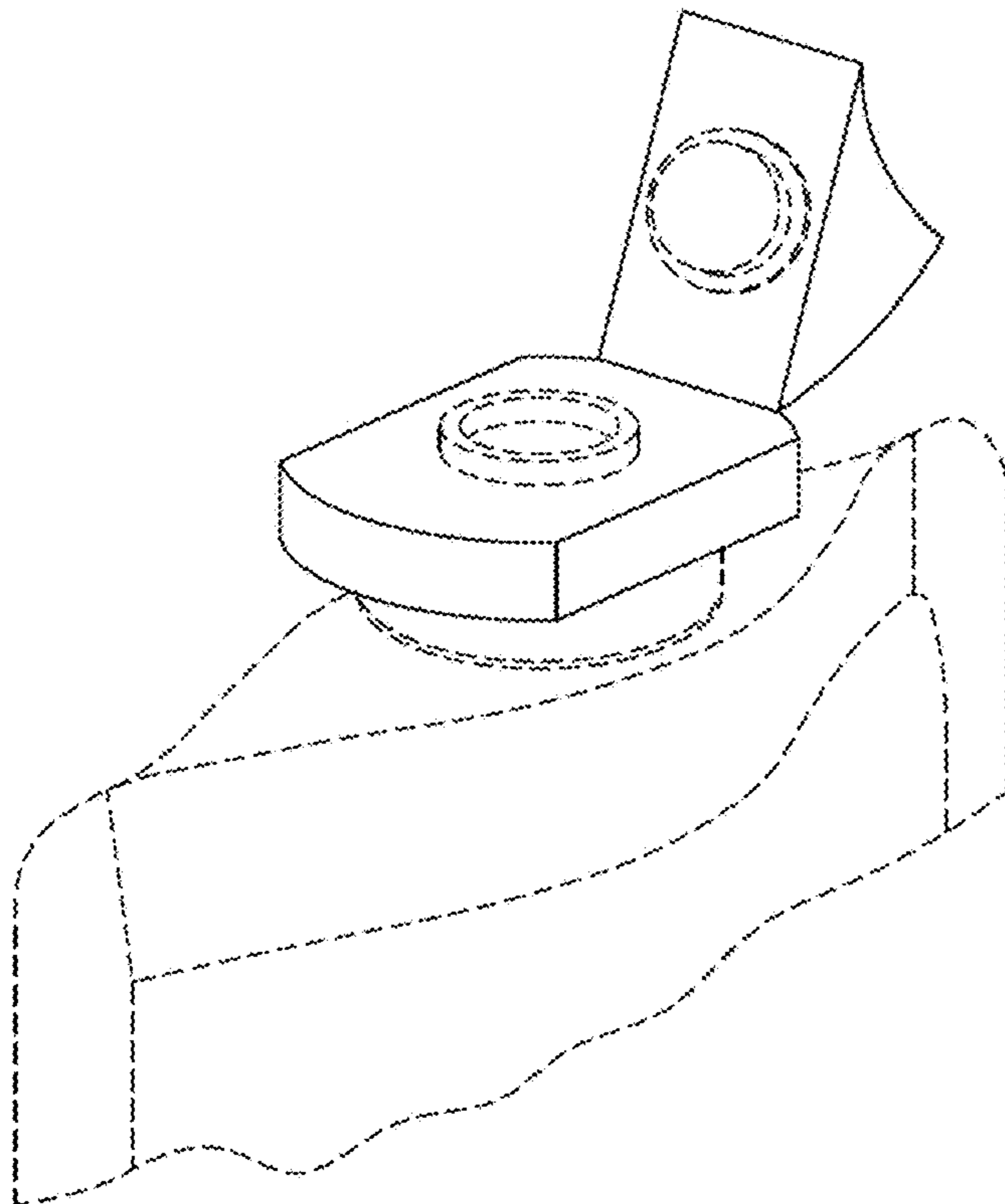


FIG. 10

UNITED STATES PATENT AND TRADEMARK OFFICE
CERTIFICATE OF CORRECTION

PATENT NO. : D794,457 S
APPLICATION NO. : 29/554445
DATED : August 15, 2017
INVENTOR(S) : Salvatore J. Pellingra et al.

Page 1 of 1

It is certified that error appears in the above-identified patent and that said Letters Patent is hereby corrected as shown below:

On the Title Page

In the Related U.S. Application Data (62): Delete "Division of application No. 29/481,300, filed on Feb. 4, 2014, now abandoned." and insert --Division of application No. 29/481,300, filed on Feb. 4, 2014, now Pat. No. Des. 787,327.--

Signed and Sealed this
Seventeenth Day of October, 2017



Joseph Matal
*Performing the Functions and Duties of the
Under Secretary of Commerce for Intellectual Property and
Director of the United States Patent and Trademark Office*