



US00D794453S

(12) **United States Design Patent**  
**Boroski et al.**

(10) **Patent No.:** **US D794,453 S**

(45) **Date of Patent:** **\*\* Aug. 15, 2017**

- (54) **LID**
- (71) Applicants: **Dwayne Boroski**, Lake in the Hills, IL (US); **Marvin Lane**, Wheeling, IL (US)
- (72) Inventors: **Dwayne Boroski**, Lake in the Hills, IL (US); **Marvin Lane**, Wheeling, IL (US)
- (73) Assignee: **Thermos L.L.C.**, Schaumburg, IL (US)

(\*\*) Term: **14 Years**

(21) Appl. No.: **29/523,298**

(22) Filed: **Apr. 8, 2015**

(51) **LOC (10) Cl.** ..... **09-07**

(52) **U.S. Cl.**  
USPC ..... **D9/449**; D7/392.1; D7/396.2

(58) **Field of Classification Search**  
USPC ..... D9/414, 415, 420, 426, 428, 429, 434, D9/435, 443-450, 452-457, 499, 682, D9/685, 686; D7/387, 392, 392.1, 393, D7/396.2, 396.3, 396.4, 401.1, 507, D7/509-511, 538, 900; D3/202, 203.2, D3/318; D28/91.1

CPC .. A61J 1/00; A61J 1/1412; B65D 1/00; B65D 1/02; B65D 1/10; B65D 1/46; B65D 2585/56; B65D 41/00; B65D 41/38; B65D 41/56; B65D 41/62; B65D 47/00; B65D 47/06; B65D 47/08; B65D 2543/00046; B65D 2543/00092; B65D 2543/00296; B65D 5/46; B65D 2251/00

See application file for complete search history.

(56) **References Cited**

U.S. PATENT DOCUMENTS

- D451,023 S \* 11/2001 Kitamura ..... D9/449
- D528,862 S \* 9/2006 Li ..... D7/510
- D529,339 S \* 10/2006 Carreno ..... D7/511

- D533,061 S \* 12/2006 Li ..... D9/443
- D592,012 S \* 5/2009 Carreno ..... D7/510
- D608,640 S \* 1/2010 Carreno ..... D9/449
- D609,964 S \* 2/2010 Lane ..... D7/392.1
- D655,580 S \* 3/2012 Kotani ..... D7/608
- D675,059 S \* 1/2013 Carreno ..... D7/392.1
- D675,060 S \* 1/2013 Lane ..... D7/392.1
- D686,040 S \* 7/2013 Lane ..... D7/510
- D686,871 S \* 7/2013 Lane ..... D7/392.1
- D686,872 S \* 7/2013 Lane ..... D7/392.1
- D695,069 S \* 12/2013 Lane ..... D7/510
- D718,626 S \* 12/2014 Lane ..... B65D 41/62
- D725,966 S \* 4/2015 Boroski ..... D7/511
- D739,183 S \* 9/2015 Lane ..... D7/605
- D744,290 S \* 12/2015 Endo ..... D7/608
- D758,790 S \* 6/2016 Boroski ..... D7/392.1
- D761,058 S \* 7/2016 Ou ..... D7/510
- D770,222 S \* 11/2016 Boroski ..... D7/392.1

(Continued)

*Primary Examiner* — Karen S Acker  
*Assistant Examiner* — Wendy Arminio  
(74) *Attorney, Agent, or Firm* — Polsinelli PC

(57) **CLAIM**

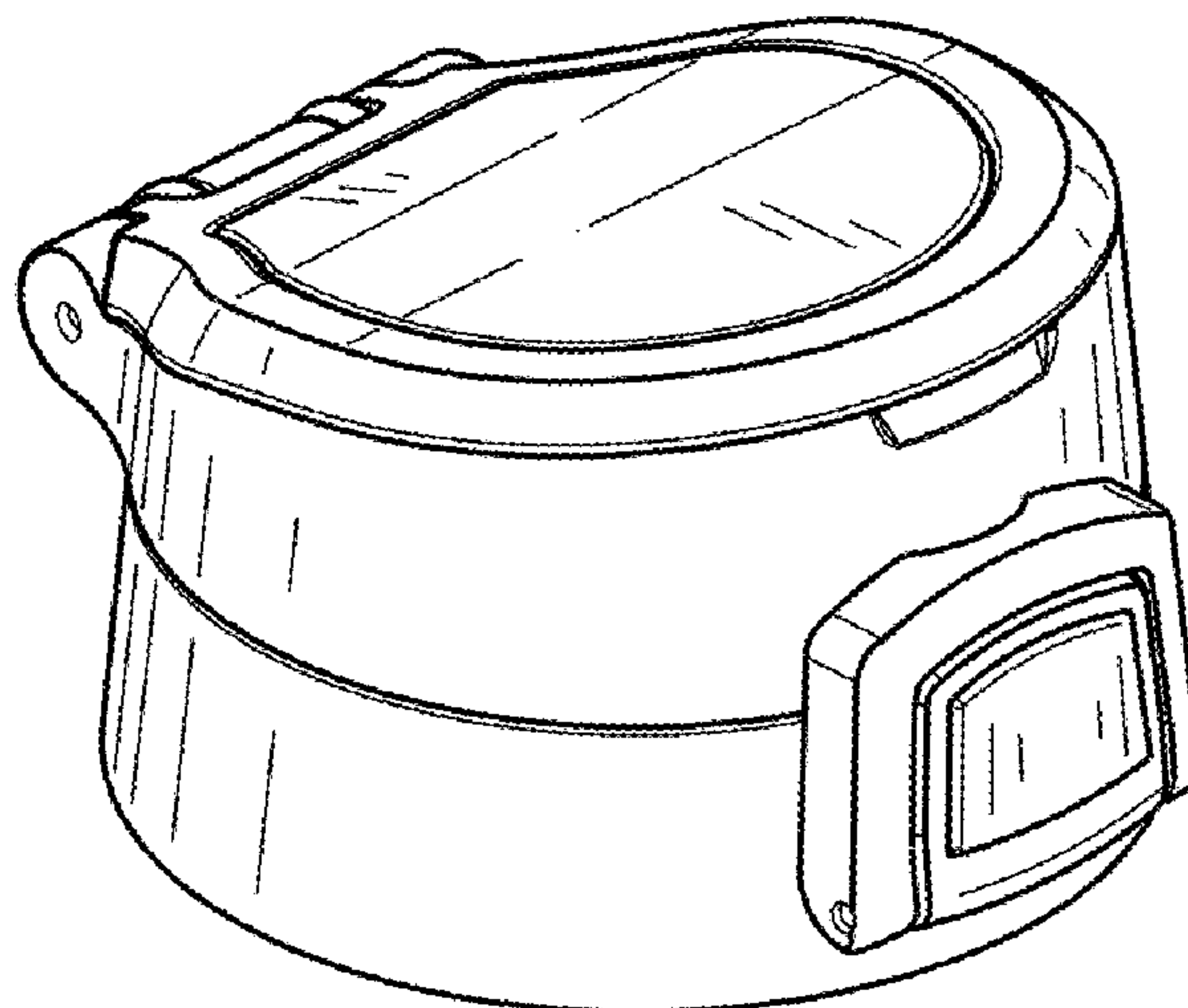
The ornamental design for a lid, as shown and described.

**DESCRIPTION**

FIG. 1 is a perspective view of the lid;  
FIG. 2 is a front view of the lid;  
FIG. 3 is a rear view of the lid;  
FIG. 4 is a right side view of the lid;  
FIG. 5 is a left side view of the lid;  
FIG. 6 is a top view of the lid; and,  
FIG. 7 is a bottom view of the lid.

The dash-dash broken lines showing in the figures are included for the purpose of illustrating portions of the lid that form no part of the claimed design. The dash-dot broken lines showing in the figures are included for defining the bounds of the claimed design and form no part thereof.

**1 Claim, 2 Drawing Sheets**



(56)

**References Cited**

U.S. PATENT DOCUMENTS

2011/0089059 A1\* 4/2011 Lane ..... B65D 47/08  
206/222  
2012/0312832 A1\* 12/2012 Lane ..... B65D 47/066  
220/833  
2014/0339177 A1\* 11/2014 Lane ..... A45F 3/18  
210/767

\* cited by examiner

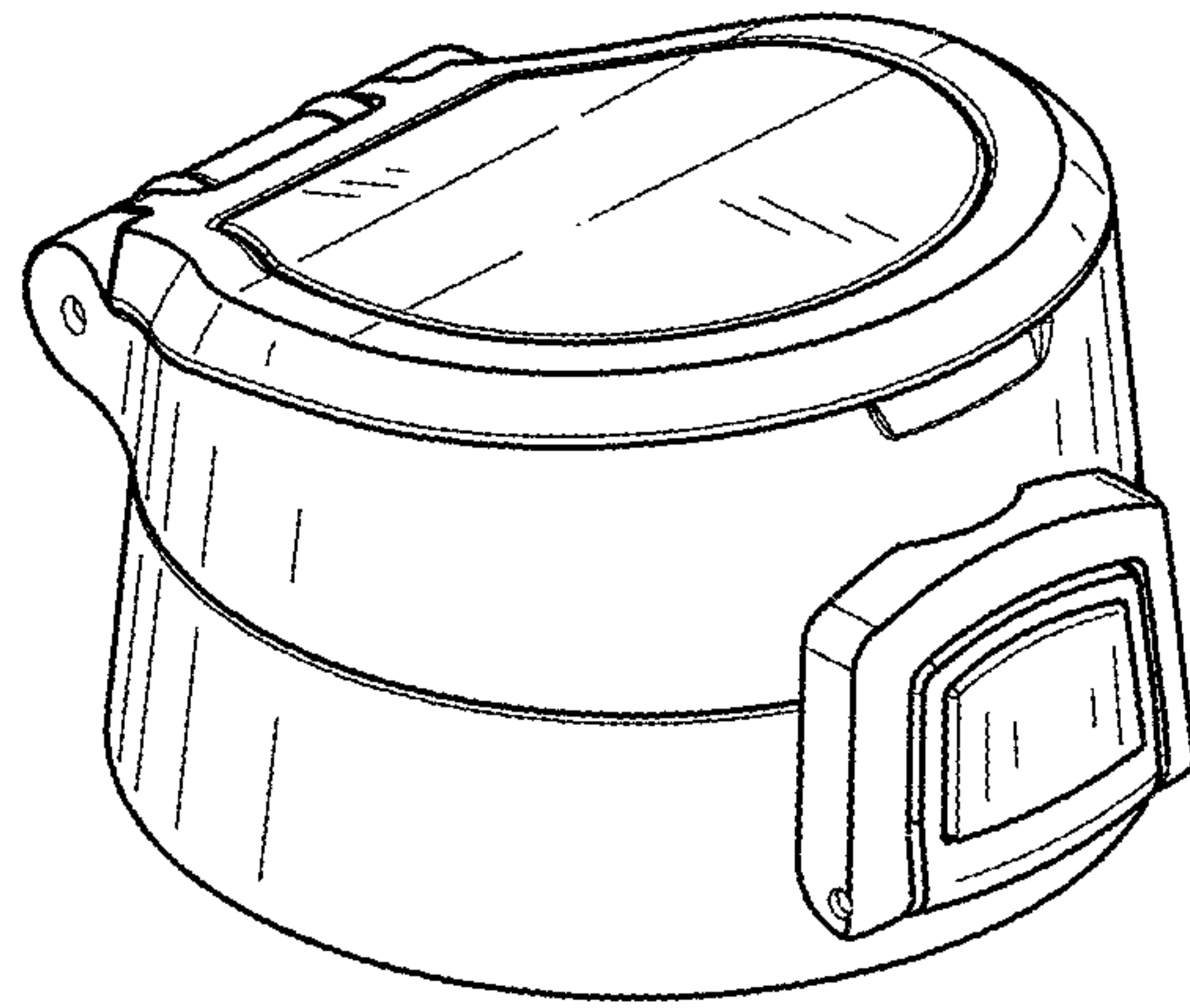


FIG. 1

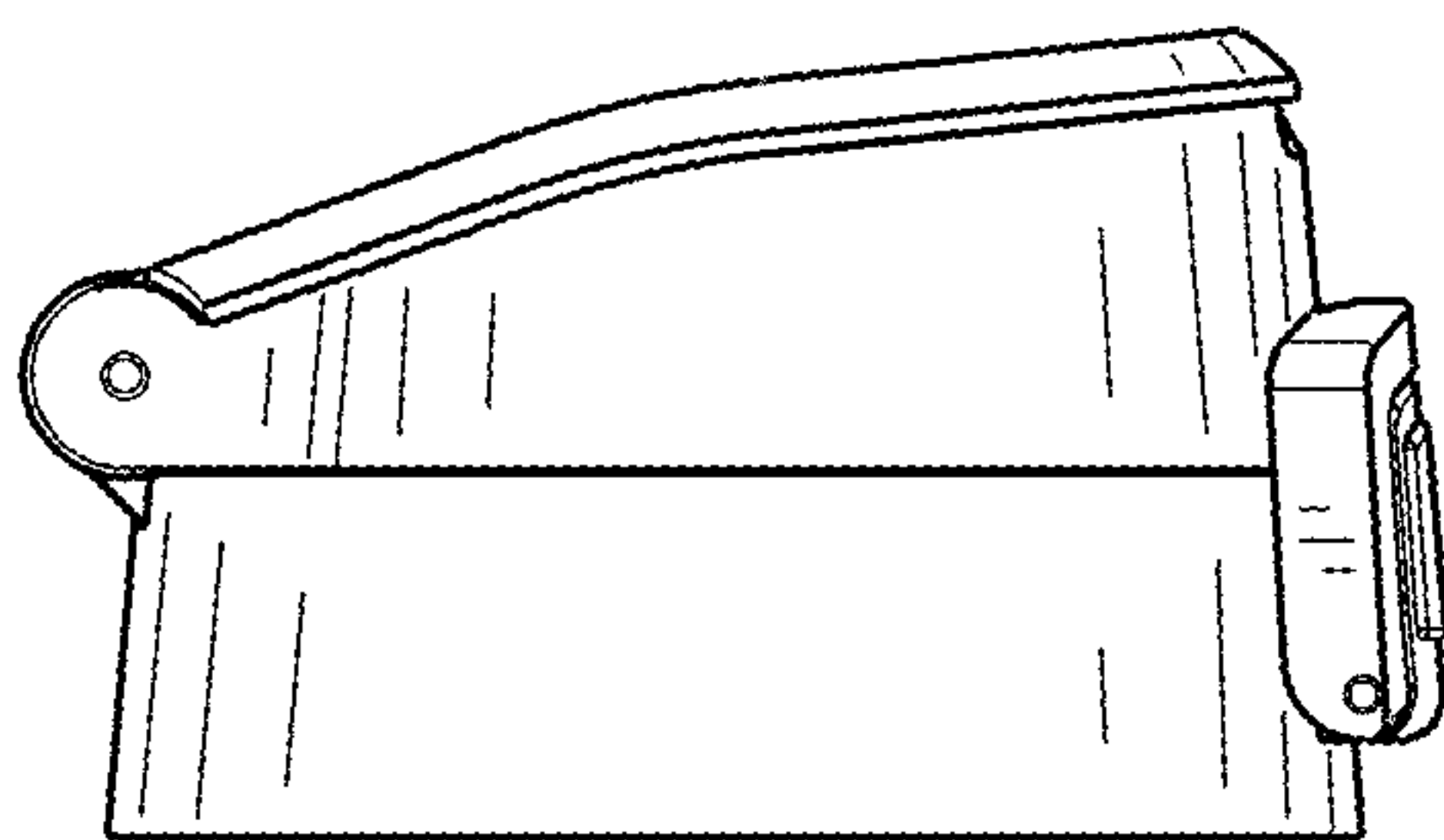


FIG. 2

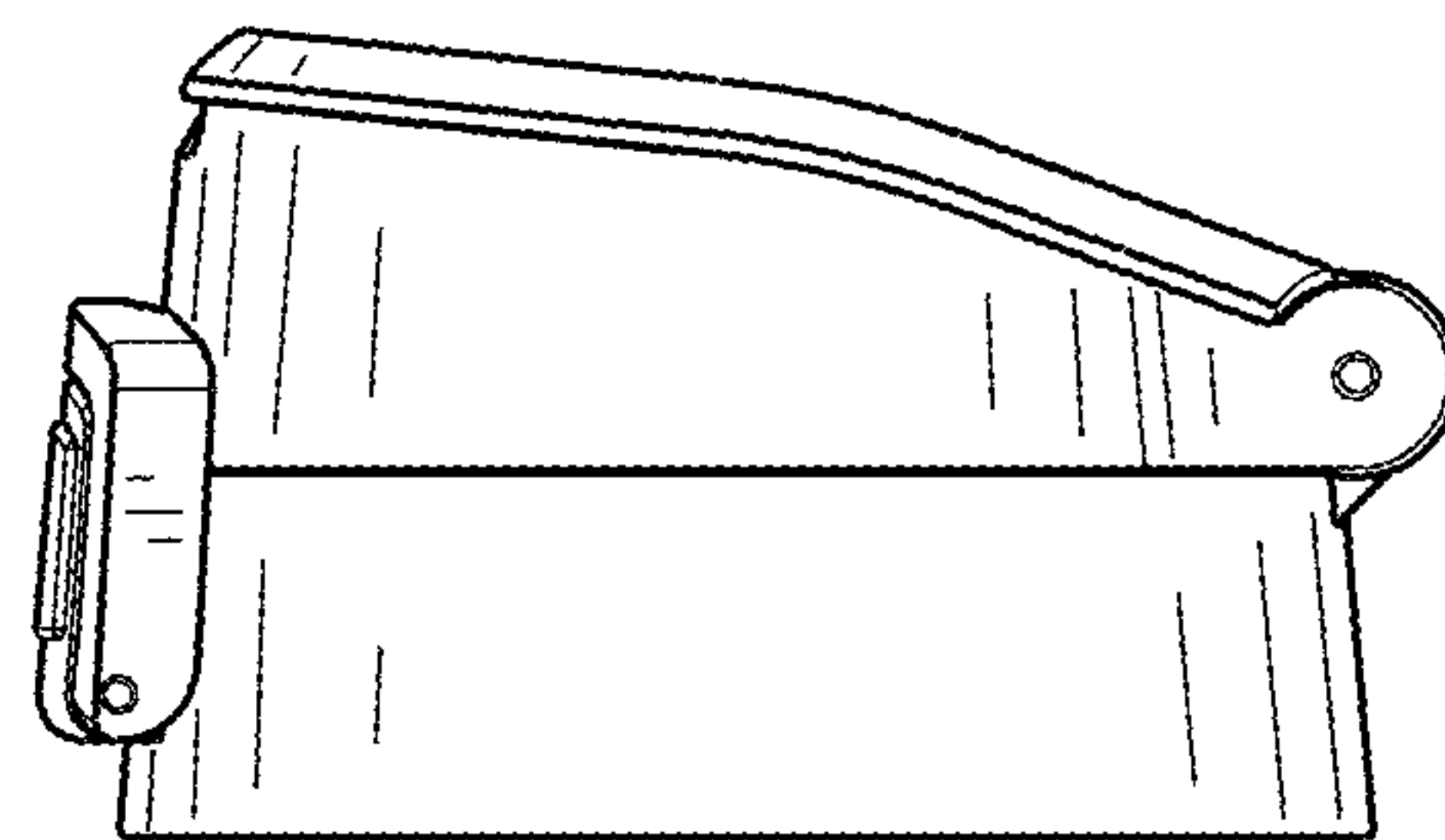


FIG. 3

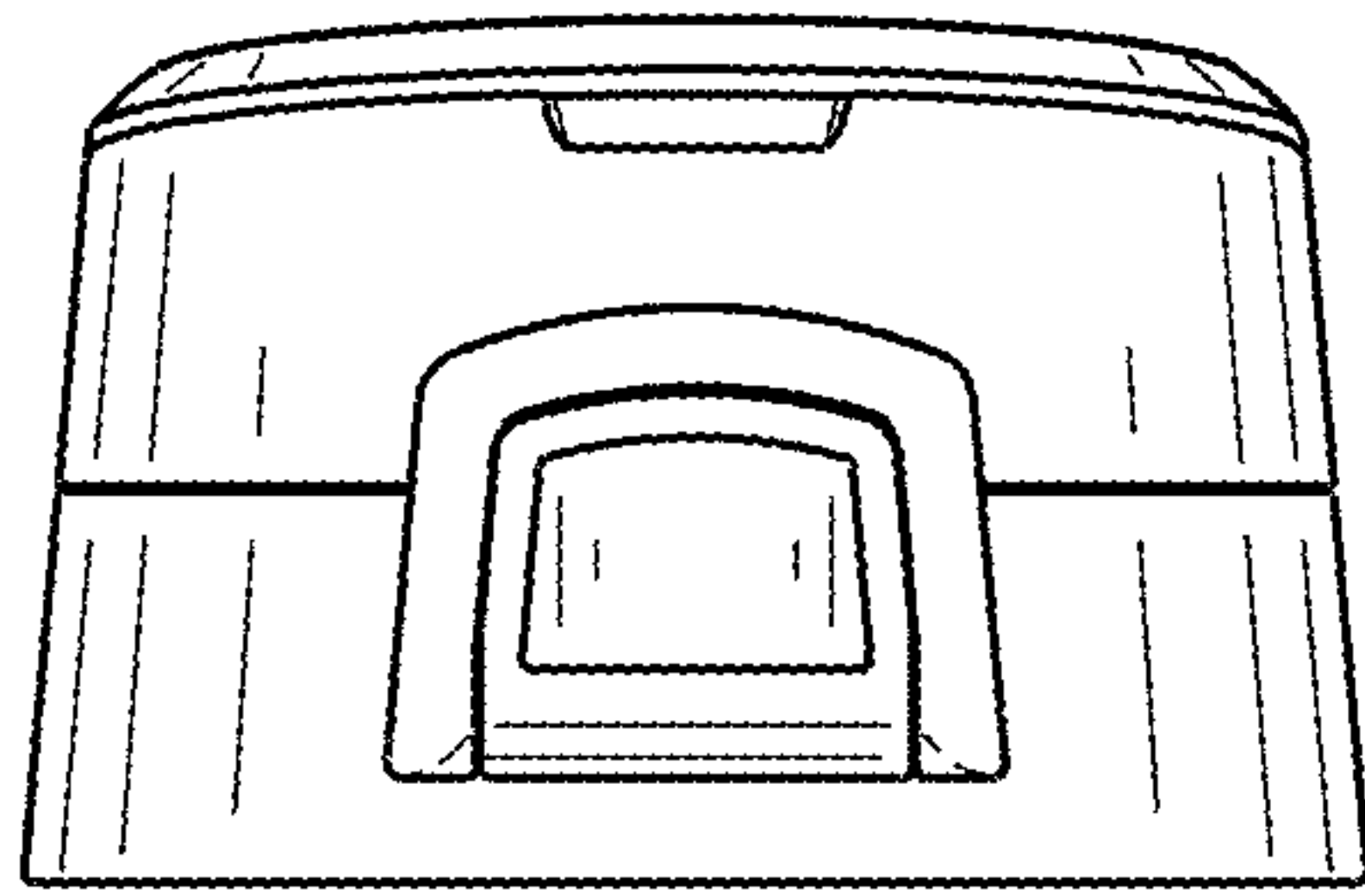


FIG. 4

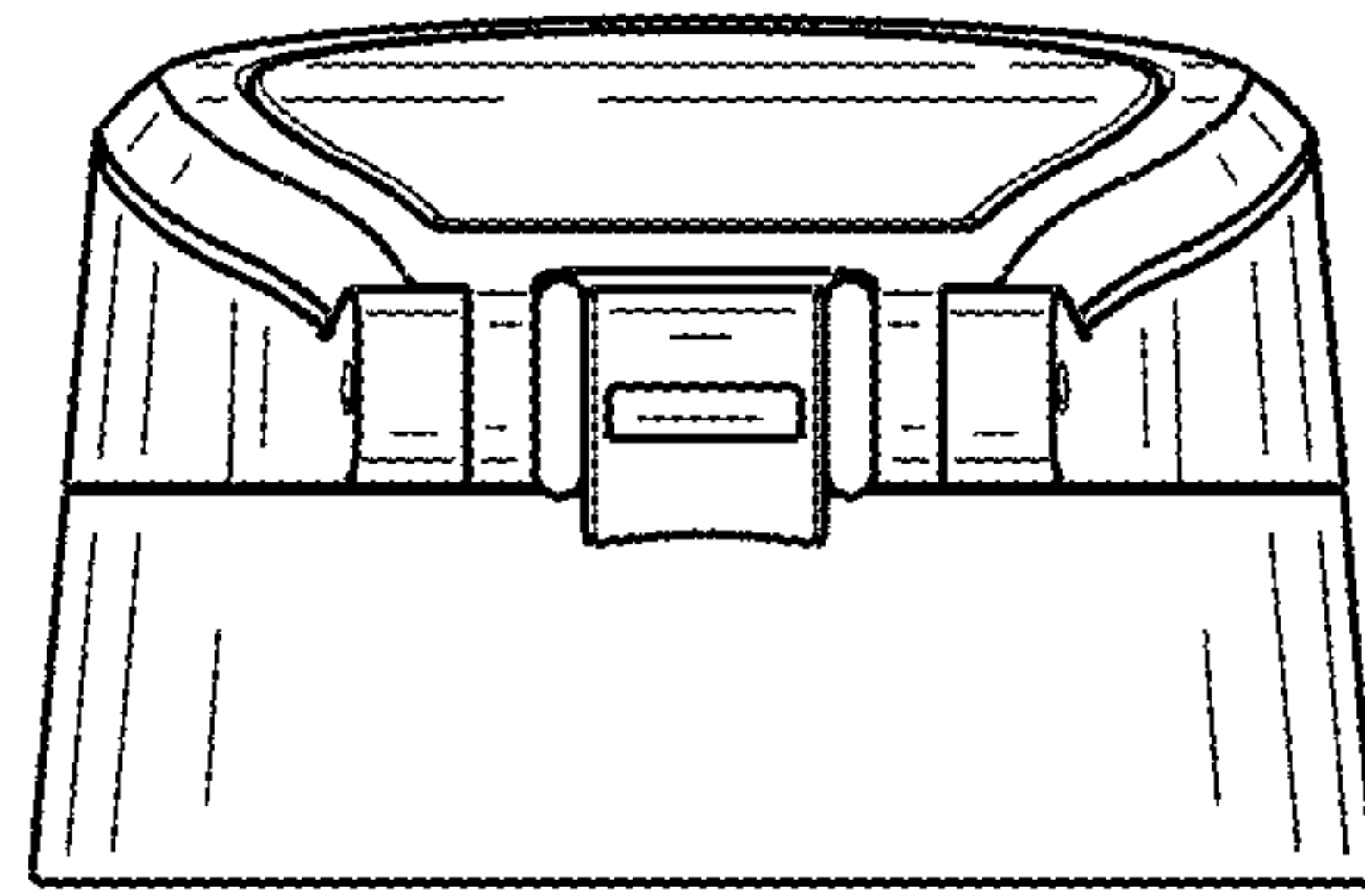


FIG. 5

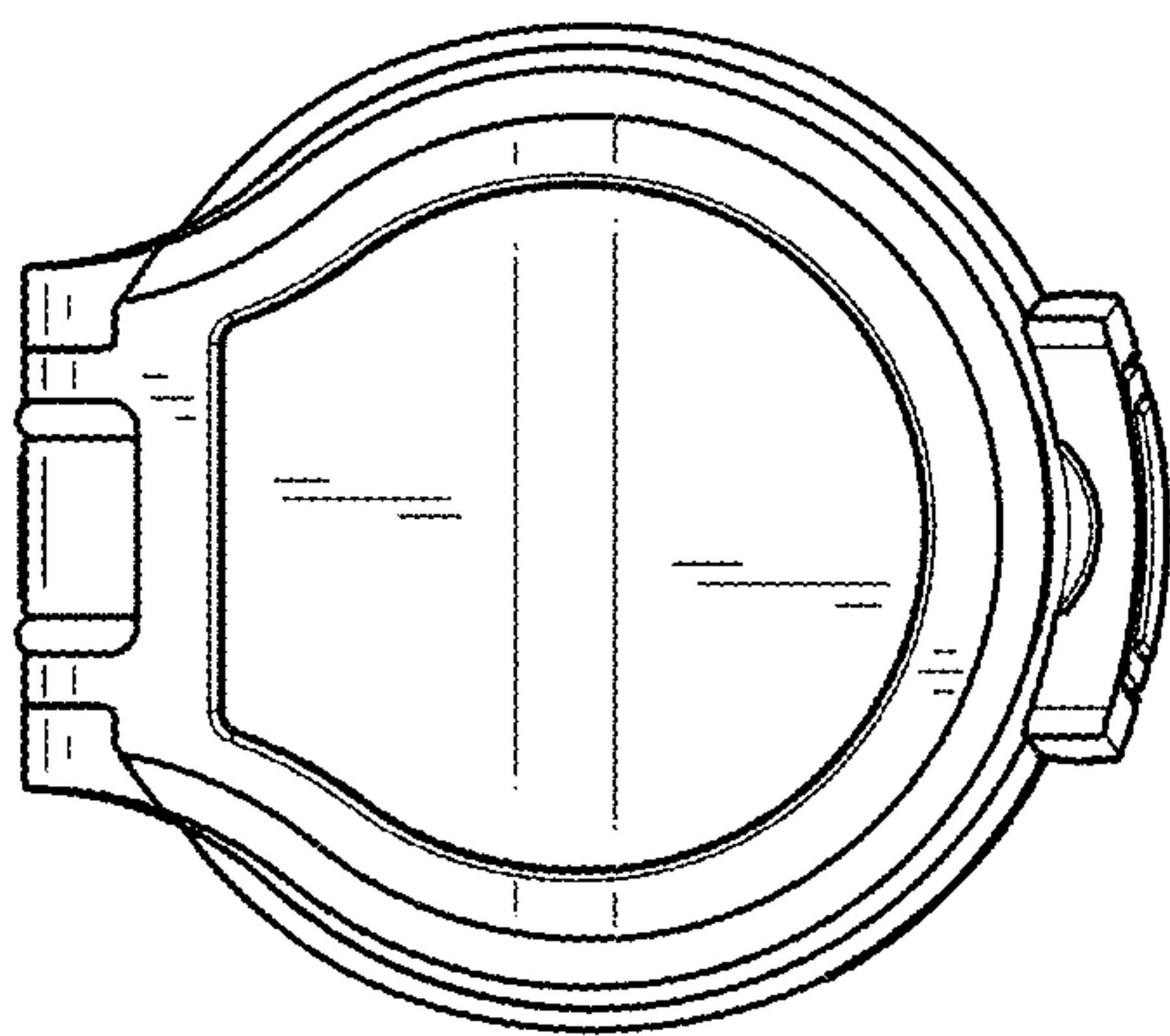


FIG. 6

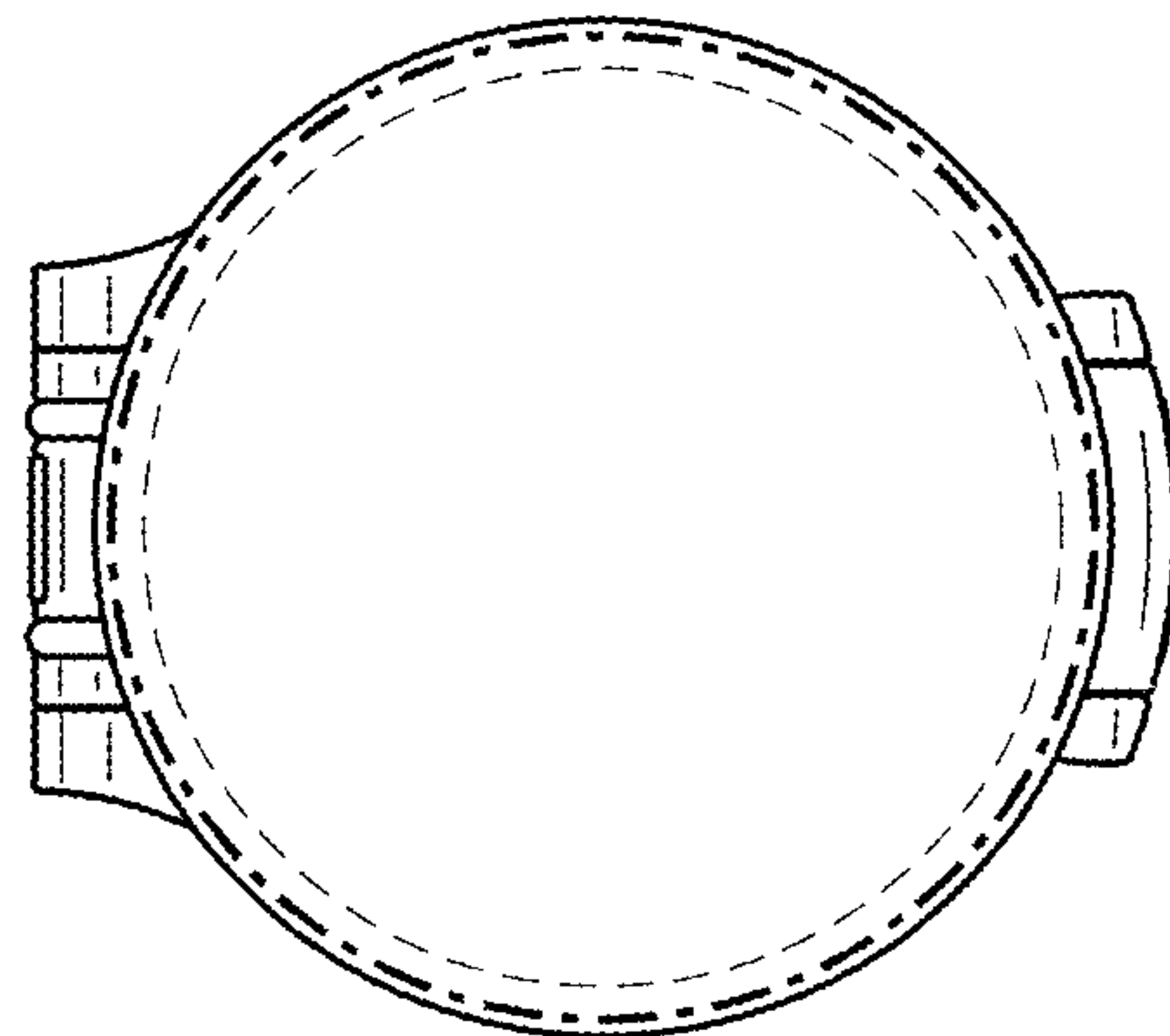


FIG. 7