

US00D794452S

(12) **United States Design Patent**  
**Chan**

(10) **Patent No.:** **US D794,452 S**

(45) **Date of Patent:** **\*\* Aug. 15, 2017**

(54) **DISPENSING PUMP HEAD**

(71) Applicant: **Ching-Chung Chan**, Taichung (TW)

(72) Inventor: **Ching-Chung Chan**, Taichung (TW)

(73) Assignee: **LIVING FOUNTAIN PLASTIC INDUSTRIAL CO., LTD.**, Taichung (TW)

(\*\*) Term: **15 Years**

(21) Appl. No.: **29/550,428**

(22) Filed: **Jan. 4, 2016**

(51) **LOC (10) Cl.** ..... **09-07**

(52) **U.S. Cl.**  
USPC ..... **D9/448**

(58) **Field of Classification Search**

USPC ..... D9/414, 415, 420, 426, 428, 429, 434, D9/435, 443-450, 452-457, 499, 682, D9/685, 686; D7/387, 392, 392.1, 393, D7/395, 396.2, 396.3, 396.4, 401.1, 507, D7/509-511, 538, 900; D3/202, 203.2, D3/318; D28/91.1; D4/138; D6/580; D8/107, 300, 321, 322; D32/35, 40  
CPC .. A61J 1/00; A61J 1/1412; B65D 1/00; B65D 1/02; B65D 1/10; B65D 1/46; B65D 2585/56; B65D 41/00; B65D 41/38; B65D 41/56; B65D 41/62; B65D 47/00; B65D 47/06; B65D 47/08; B65D 2543/00046; B65D 2543/00092; B65D 2543/00296; B65D 5/46; B65D 2251/00  
See application file for complete search history.

(56) **References Cited**

**U.S. PATENT DOCUMENTS**

D351,794 S \* 10/1994 Foster ..... D9/448  
D418,585 S \* 1/2000 Lord ..... D23/213

D435,447 S \* 12/2000 Lee ..... D9/448  
D445,686 S \* 7/2001 Danielo ..... D9/448  
D528,911 S \* 9/2006 Turner ..... D9/448  
D571,657 S \* 6/2008 Kuo ..... D9/448  
D588,006 S \* 3/2009 Boes ..... D9/448  
D613,613 S \* 4/2010 Llewellyn ..... D9/682  
D619,892 S \* 7/2010 Welk ..... A47J 36/12  
D7/391  
D657,243 S \* 4/2012 Christianson ..... D9/448  
D658,496 S \* 5/2012 Mills ..... D9/448  
8,814,007 B2 \* 8/2014 Mills ..... B65D 25/48  
222/153.1  
9,125,514 B1 \* 9/2015 Rohrer ..... A47J 36/12

\* cited by examiner

*Primary Examiner* — Karen S Acker  
*Assistant Examiner* — Wendy Arminio  
(74) *Attorney, Agent, or Firm* — Egbert Law Offices, PLLC

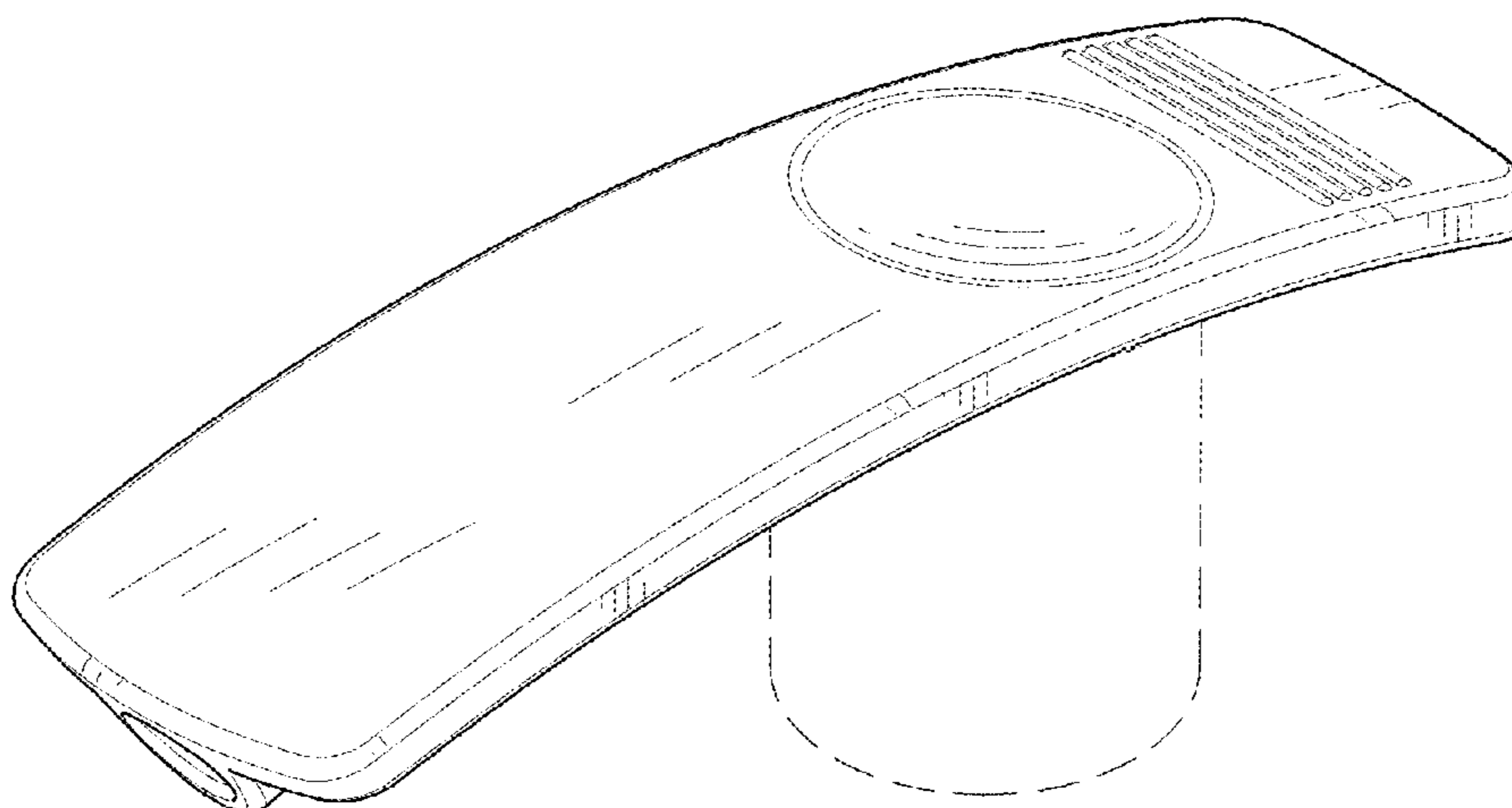
(57) **CLAIM**

The ornamental design for a dispensing pump head, as shown and described.

**DESCRIPTION**

FIG. 1 is an upper perspective view of a dispensing pump head showing my new design.  
FIG. 2 is a front elevation view thereof;  
FIG. 3 is rear elevation view thereof;  
FIG. 4 is a left side elevation view thereof;  
FIG. 5 is a right side elevation view thereof;  
FIG. 6 is a top plan view thereof; and,  
FIG. 7 is a bottom plan view thereof.  
The features presented in broken lines are for purposes of illustrating environmental structure that forms no part of the claimed design.

**1 Claim, 7 Drawing Sheets**



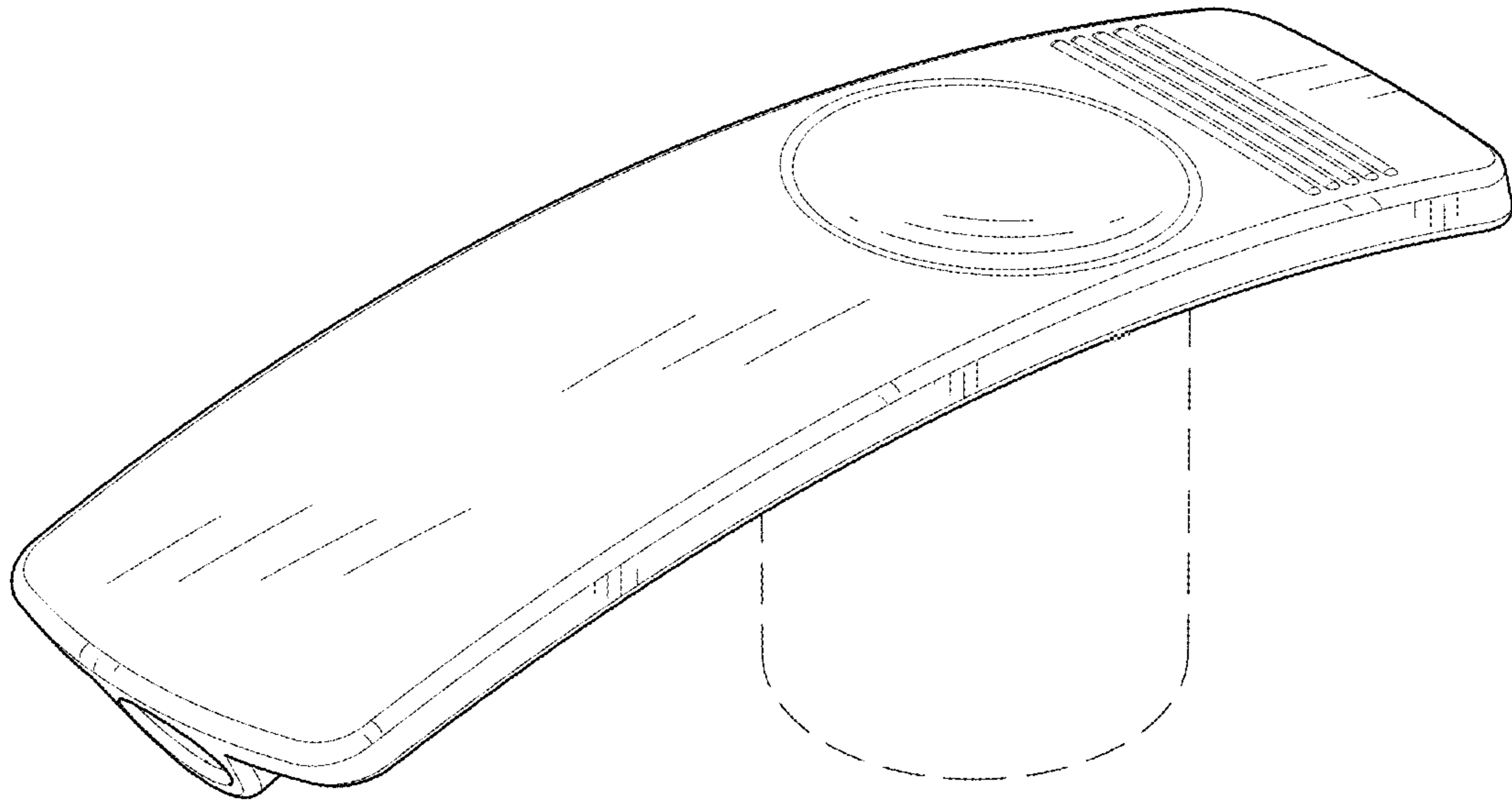


FIG.1

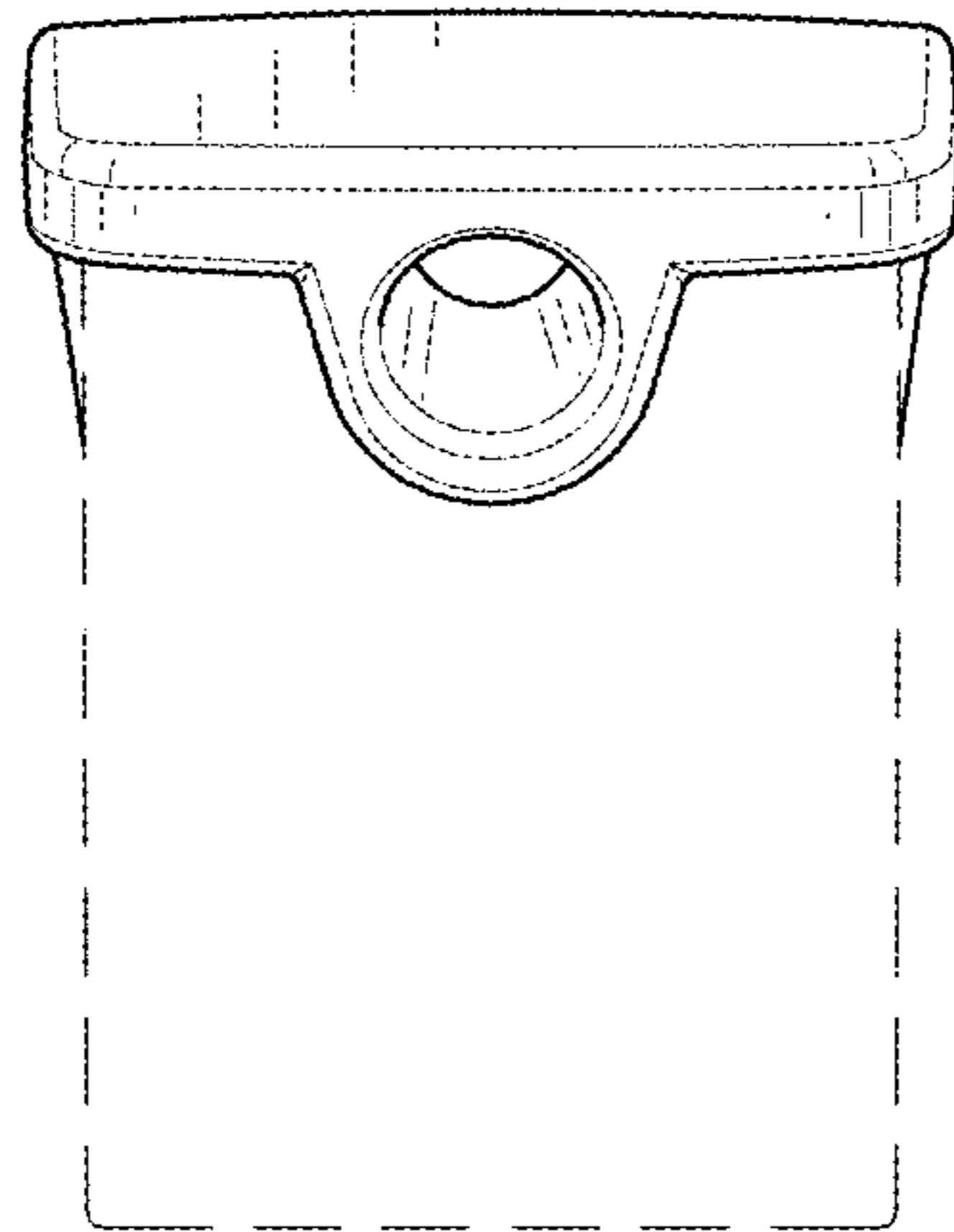


FIG.2

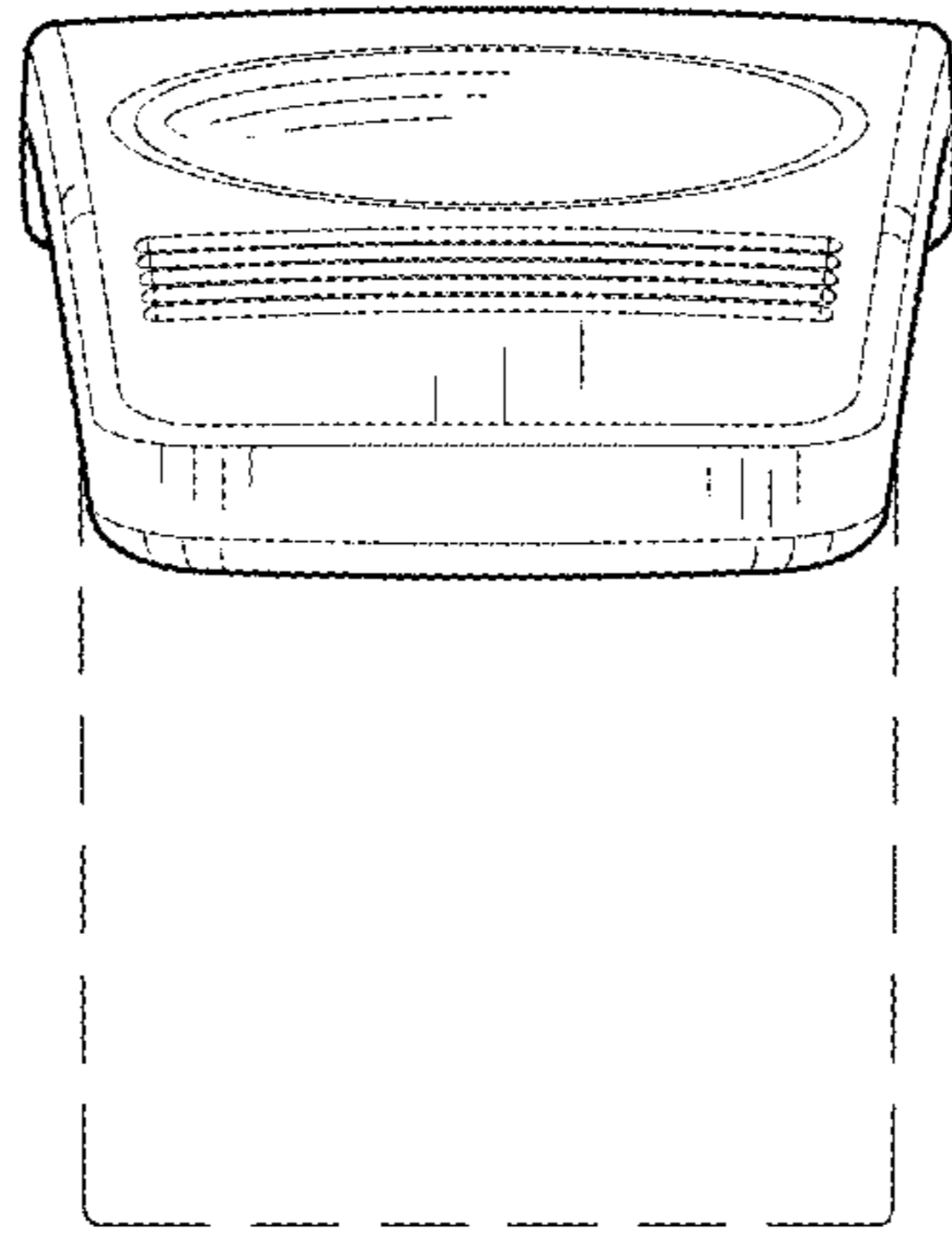


FIG.3

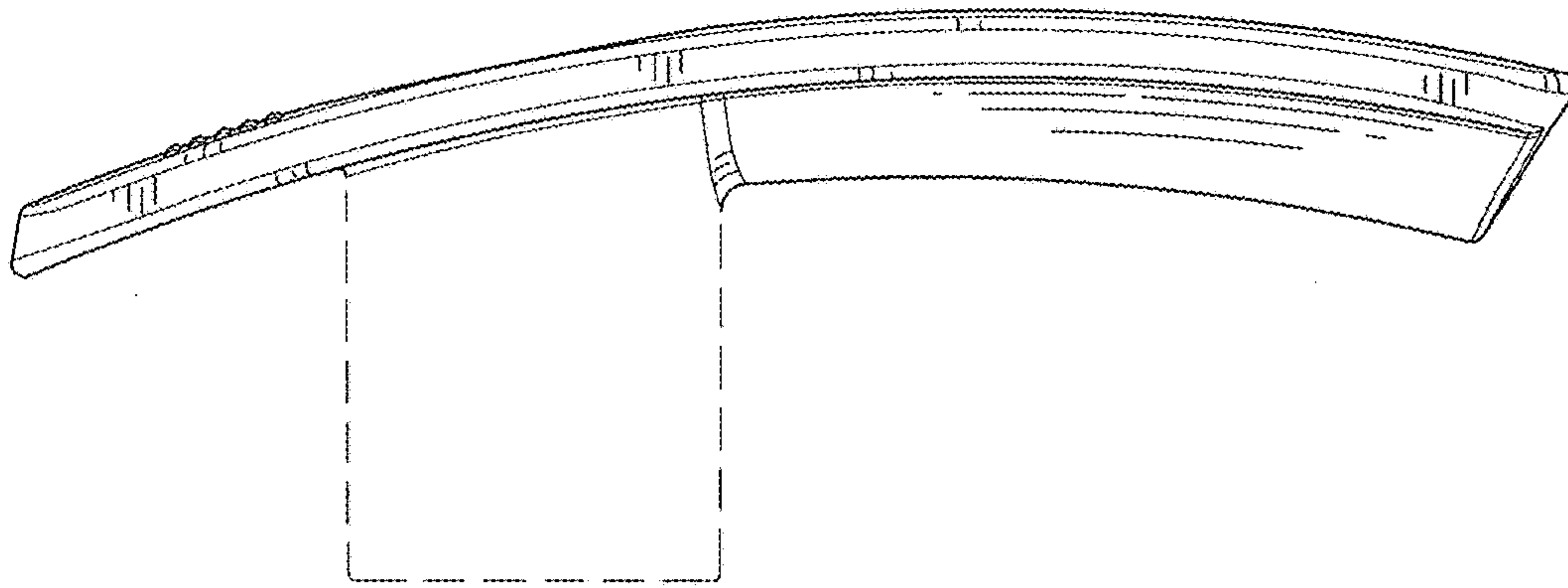


FIG.4

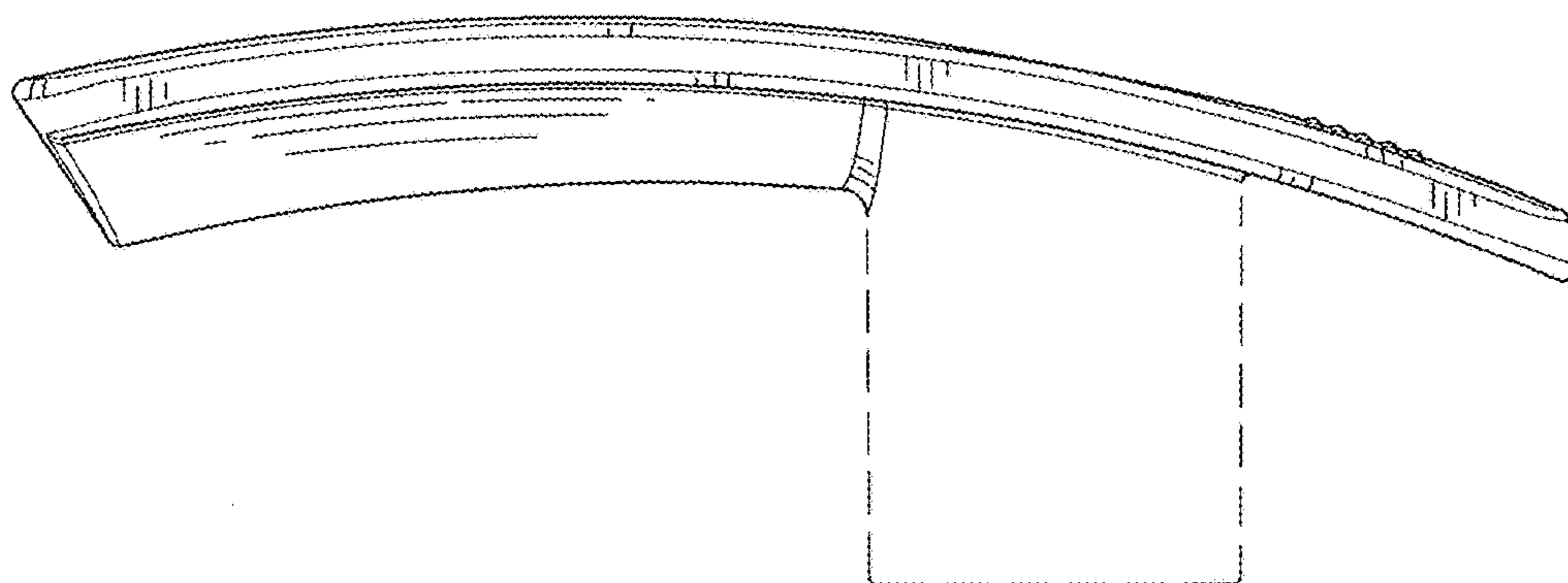


FIG.5

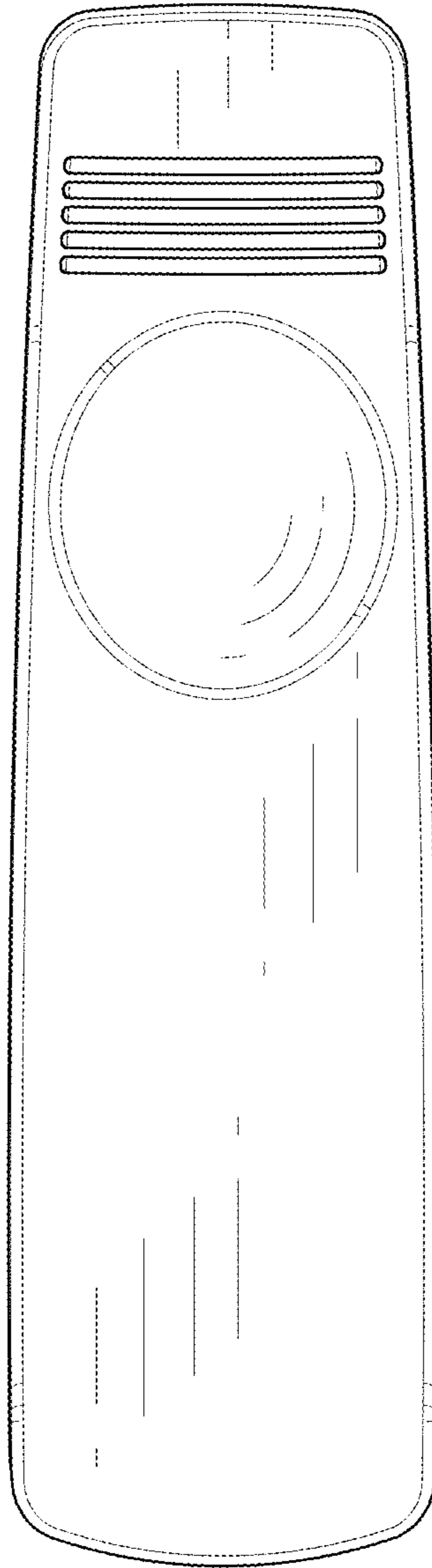


FIG.6

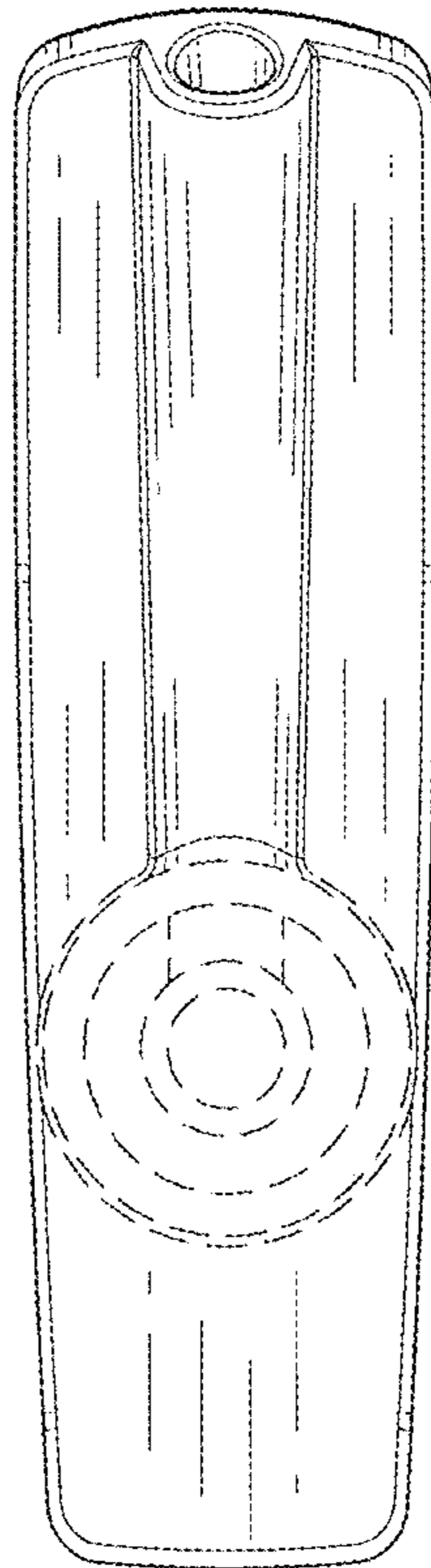


FIG.7