



US00D794450S

(12) **United States Design Patent**
Moreaux et al.

(10) **Patent No.:** **US D794,450 S**

(45) **Date of Patent:** **** Aug. 15, 2017**

(54) **DISPENSER**

(71) Applicant: **APTAR FRANCE SAS**, Le Neubourg (FR)

(72) Inventors: **Francis Moreaux**, Sotteville (FR);
Sandra Martins-Reis, Meudon (FR)

(73) Assignee: **APTAR FRANCE SAS**, Le Neubourg (FR)

(**) Term: **14 Years**

(21) Appl. No.: **29/509,489**

(22) Filed: **Nov. 18, 2014**

(30) **Foreign Application Priority Data**

Jun. 19, 2014 (EM) 002485771-0001

(51) **LOC (10) Cl.** **09-07**

(52) **U.S. Cl.**
USPC **D9/448**; D9/434; D9/435; D9/447

(58) **Field of Classification Search**
USPC D3/201, 202, 203.1, 203.2; D6/512, 515, D6/541-545; D7/300, 313, 321, 382.1, D7/396.2, 398, 500, 507, 509, 510, 511, D7/900; D9/417, 434, 435, 440, 447, D9/448, 449, 454, 680, 685, 686, 688, D9/689, 691, 692, 695; D19/70, 163; D24/127, 199; D28/4, 7, 76, 78, 82, 91, D28/91.1; 215/200, 235, 236, 252, 259, 215/329, 355, 364; 220/200, 254.2, 220/254.4, 254.7, 320
CPC B65D 41/00; B65D 43/00; B65D 43/02; B65D 43/265; B65D 43/267; B65D 47/00; B65D 83/40; B65D 83/205
See application file for complete search history.

(56) **References Cited**

U.S. PATENT DOCUMENTS

D314,688 S * 2/1991 Guillerm D9/448
5,669,530 A * 9/1997 Cichon B05B 11/0013
222/153.09

D407,313 S * 3/1999 Wadsworth D9/445
D455,960 S * 4/2002 Dobbs D9/448
D489,613 S * 5/2004 Campbell D9/447
D523,748 S * 6/2006 Witkowski D9/448
D532,300 S * 11/2006 Moretti D9/448
D541,654 S * 5/2007 Pietrowski D9/448
D551,076 S * 9/2007 Bloc D9/448
D551,077 S * 9/2007 Bloc D9/448
7,757,902 B2 * 7/2010 Bevans B05B 11/3049
215/274
8,631,976 B2 * 1/2014 Moretti B05B 11/3008
222/321.2
8,672,192 B2 * 3/2014 Wang B05B 11/3023
222/321.2

(Continued)

FOREIGN PATENT DOCUMENTS

BG 5655-0001 * 5/2005

Primary Examiner — Thomas Johannes

Assistant Examiner — Catherine Posthauer

(74) *Attorney, Agent, or Firm* — Sughrue Mion, PLLC

(57) **CLAIM**

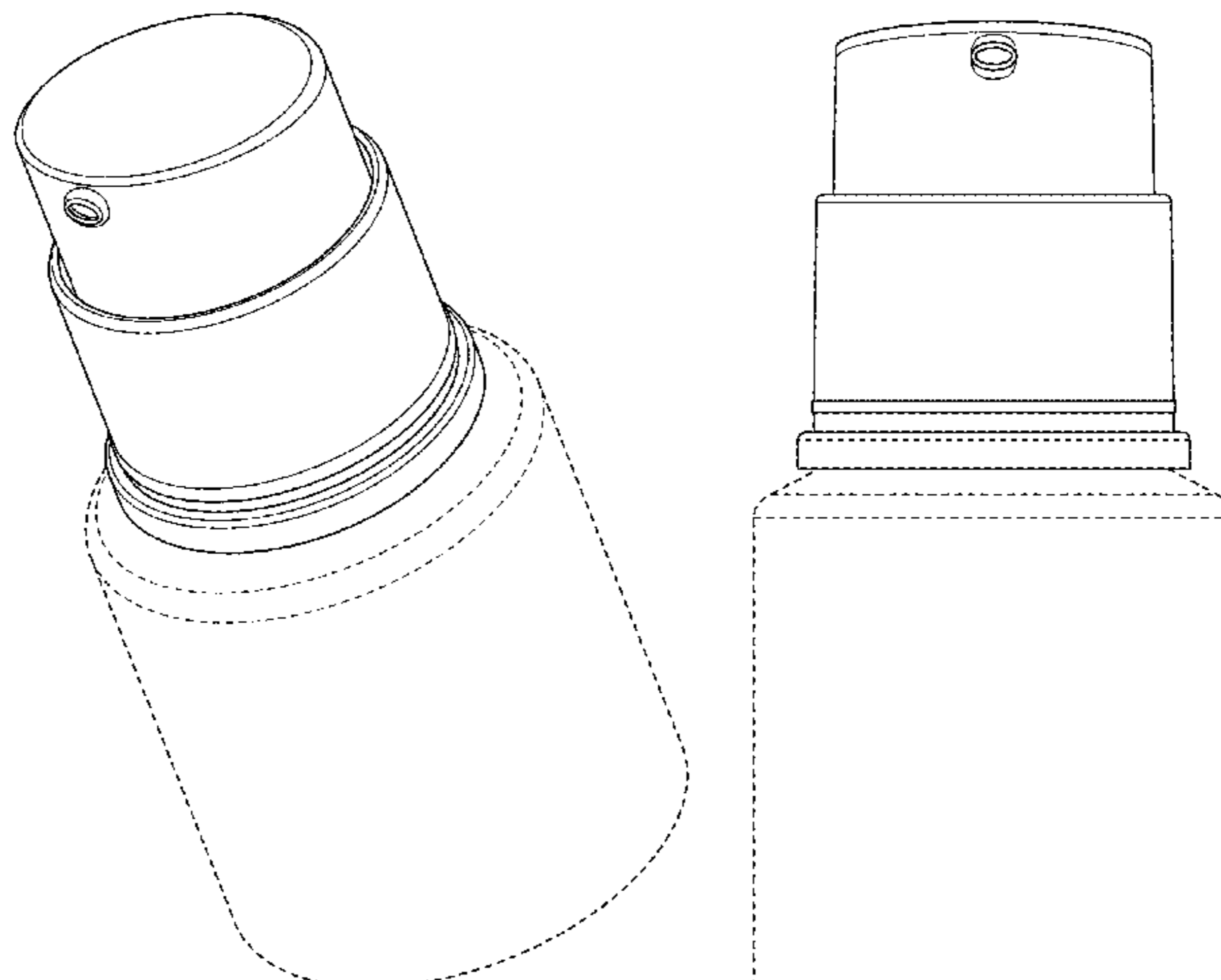
The ornamental design for a dispenser, as shown and described.

DESCRIPTION

FIG. 1 is a perspective view thereof;
FIG. 2 is a front view thereof;
FIG. 3 is a rear view thereof;
FIG. 4 is a left side view thereof;
FIG. 5 is a right side view thereof;
FIG. 6 is a top view thereof; and,
FIG. 7 is a bottom view thereof.

The broken lines are used to show portions of the dispenser that are not being claimed, and thus form no part of the claimed design.

1 Claim, 7 Drawing Sheets



(56)

References Cited

U.S. PATENT DOCUMENTS

D709,761 S * 7/2014 Sanders D9/445
D754,000 S * 4/2016 Wang D9/434
D754,540 S * 4/2016 Wang D9/434
2005/0023300 A1* 2/2005 Schultz A61F 9/0008
222/383.1
2006/0186139 A1* 8/2006 Laidler B05B 11/0027
222/207
2006/0243750 A1* 11/2006 Pietrowski B05B 11/0078
222/321.7
2007/0158365 A1* 7/2007 Kim B05B 11/007
222/207
2007/0290002 A1* 12/2007 Schmitz B05B 15/066
222/321.7
2008/0093389 A1* 4/2008 Vasseur B05B 11/0072
222/321.9
2009/0065531 A1* 3/2009 Decottignies B65D 83/0033
222/207
2012/0091229 A1* 4/2012 Laidler B05B 7/0037
239/330
2014/0332533 A1* 11/2014 Santarelli B65D 51/24
220/254.9

* cited by examiner

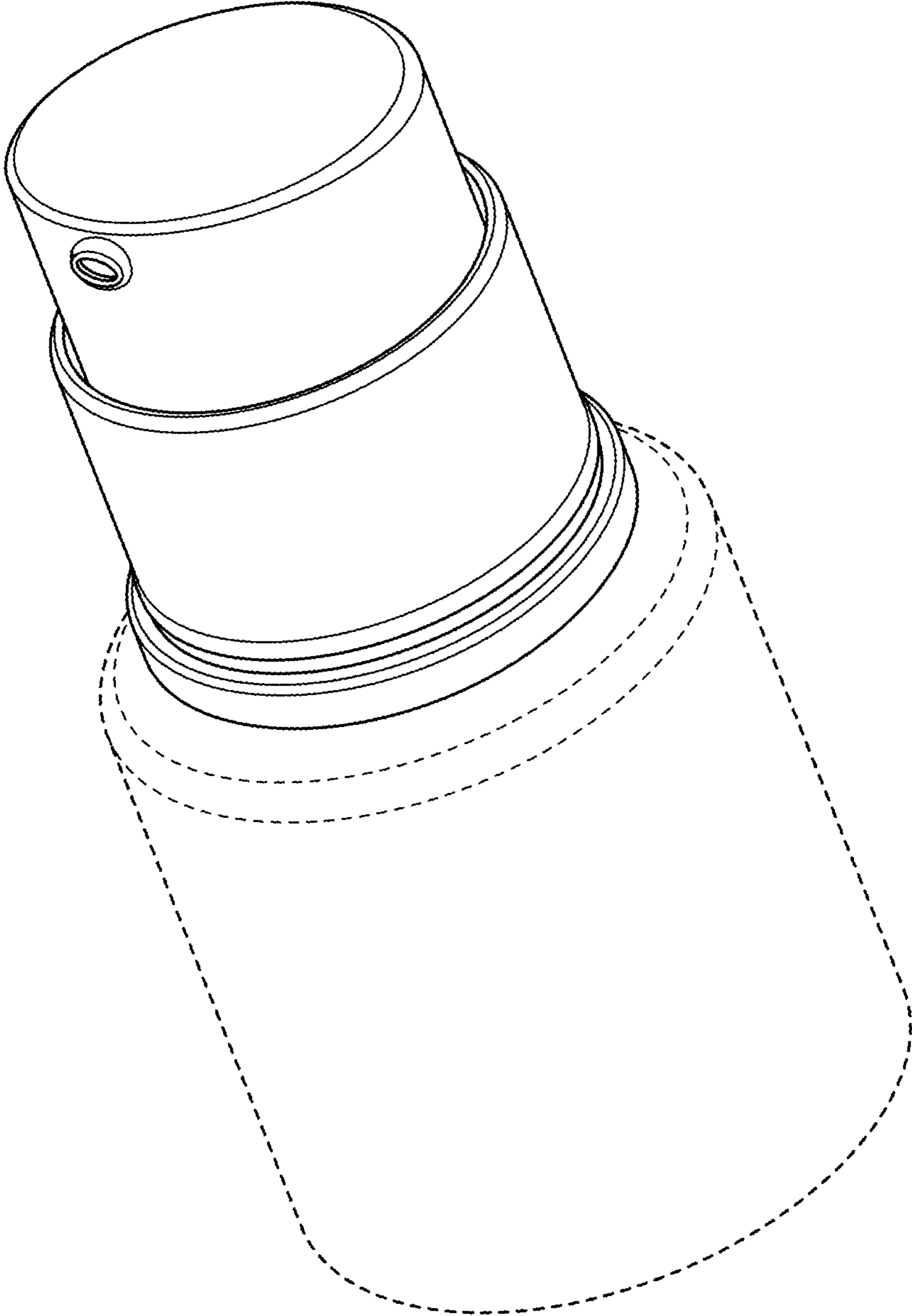


FIG. 1

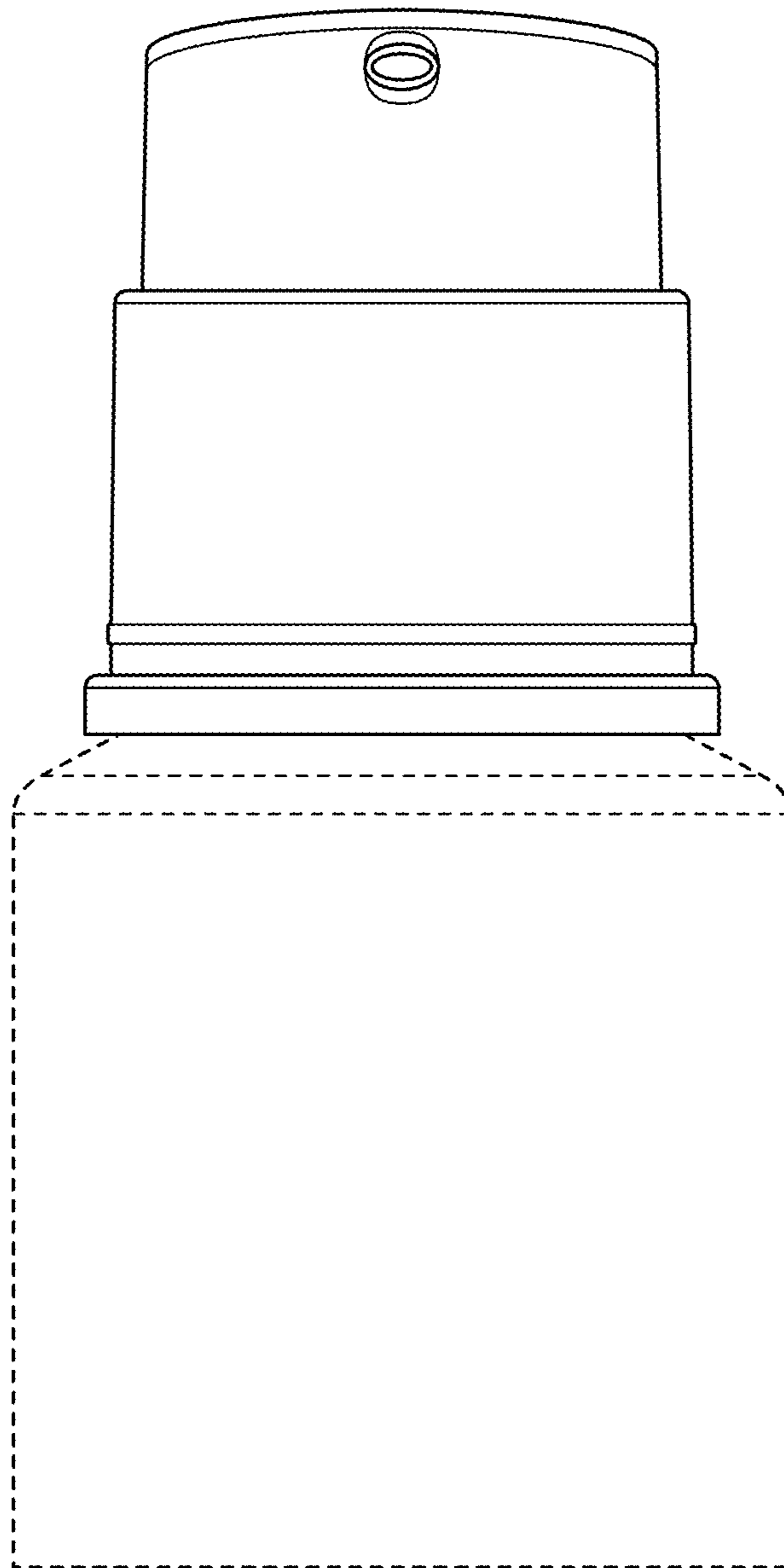


FIG. 2

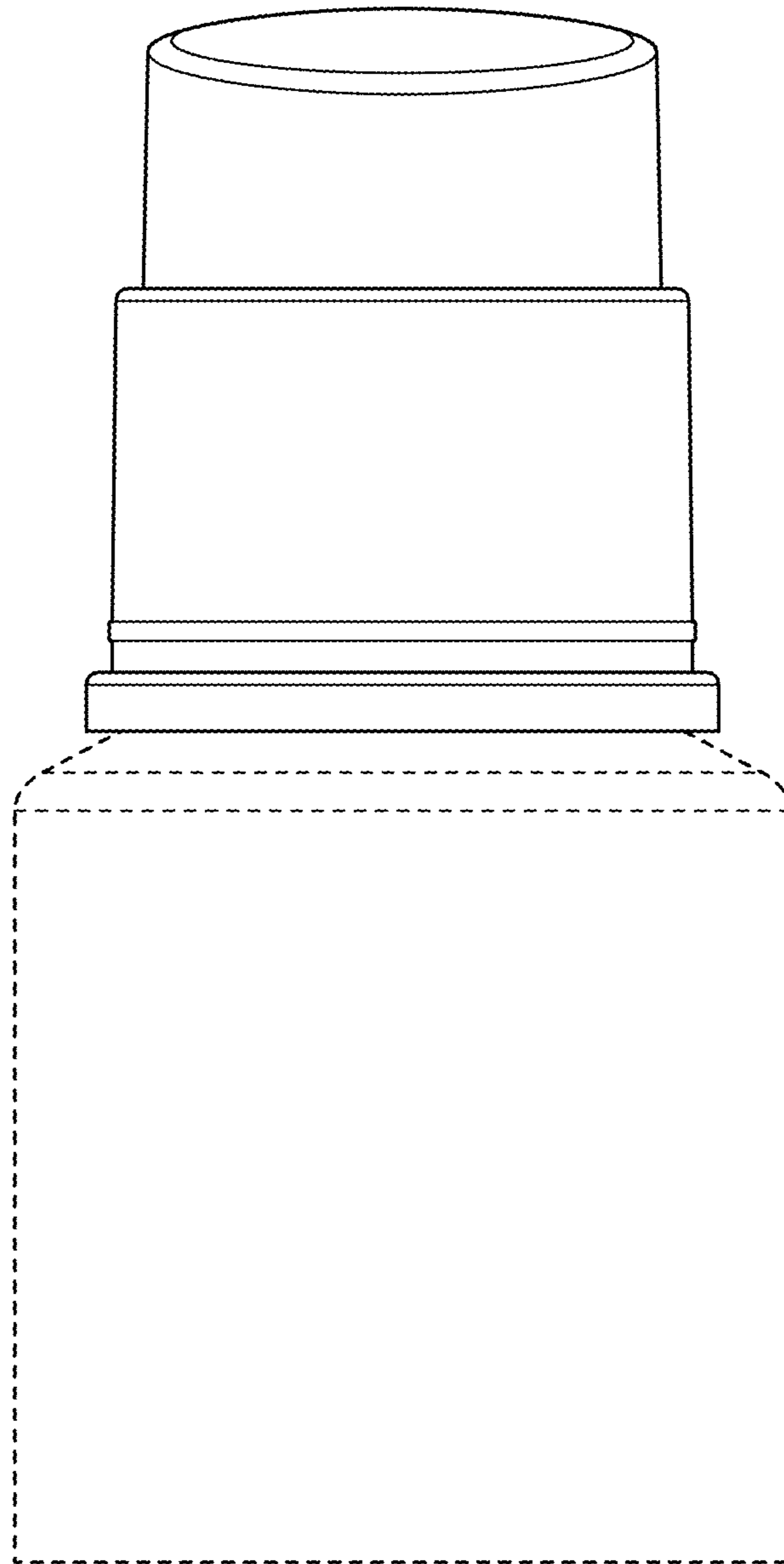


FIG. 3

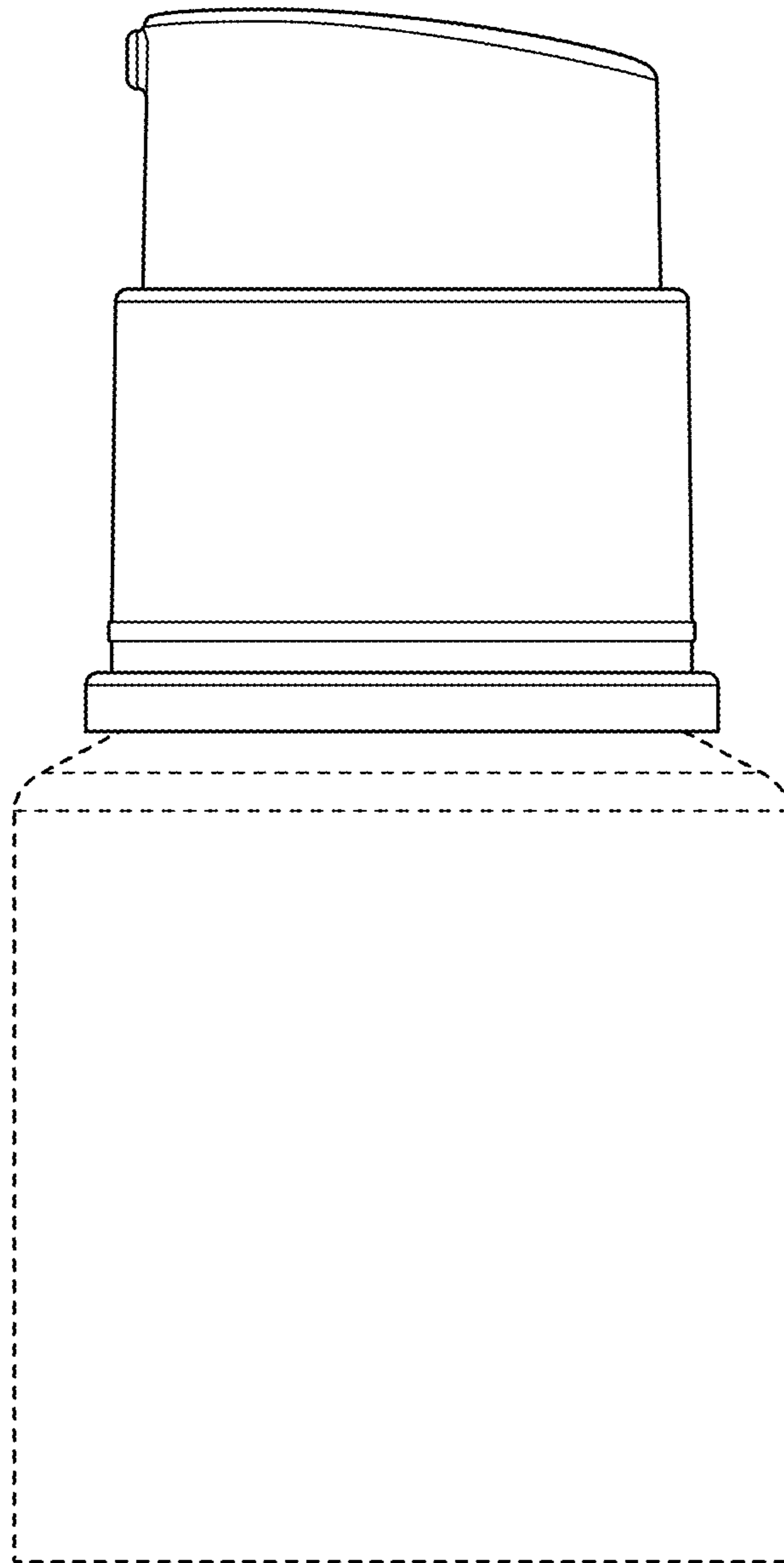


FIG. 4

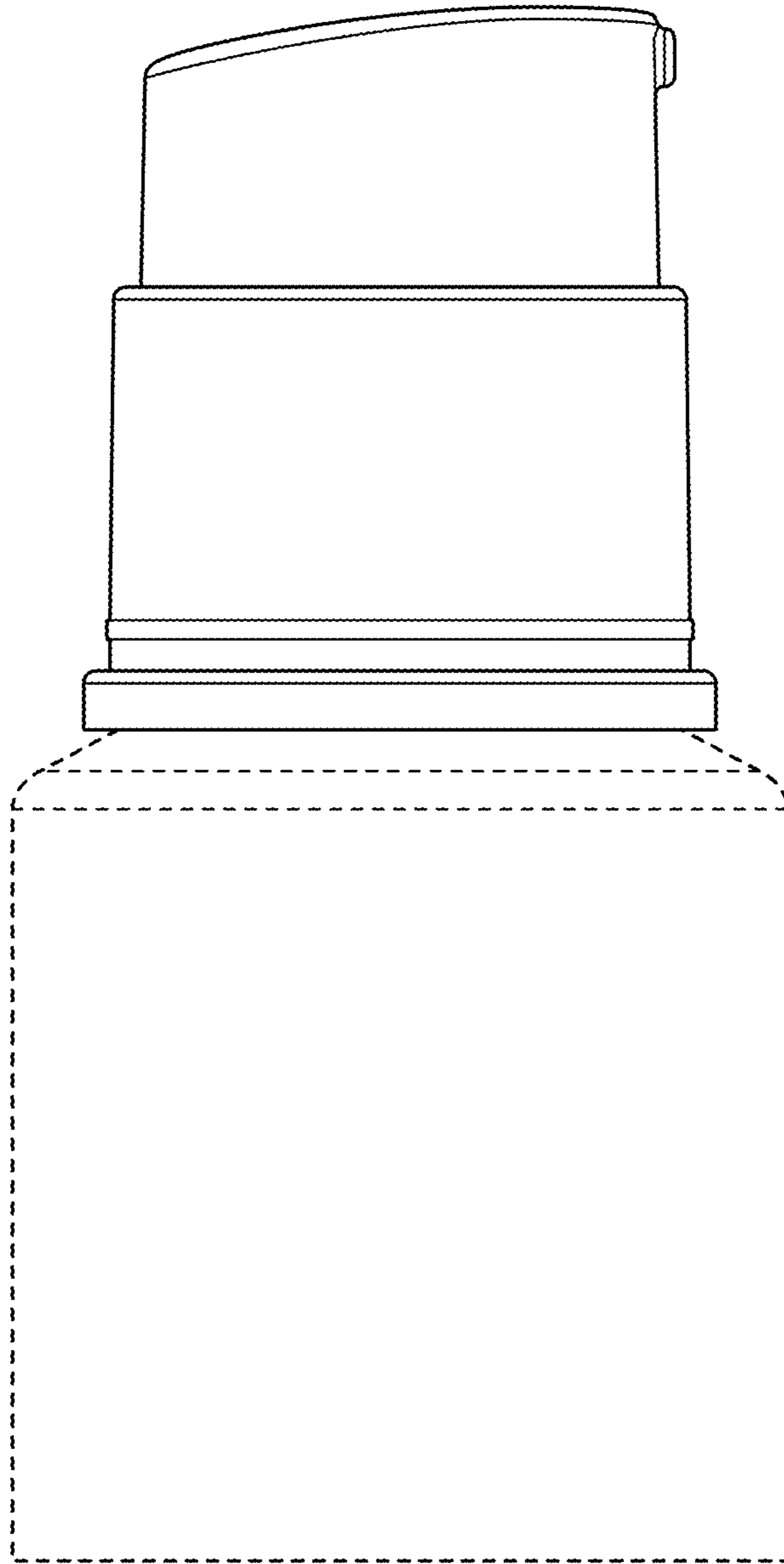


FIG. 5

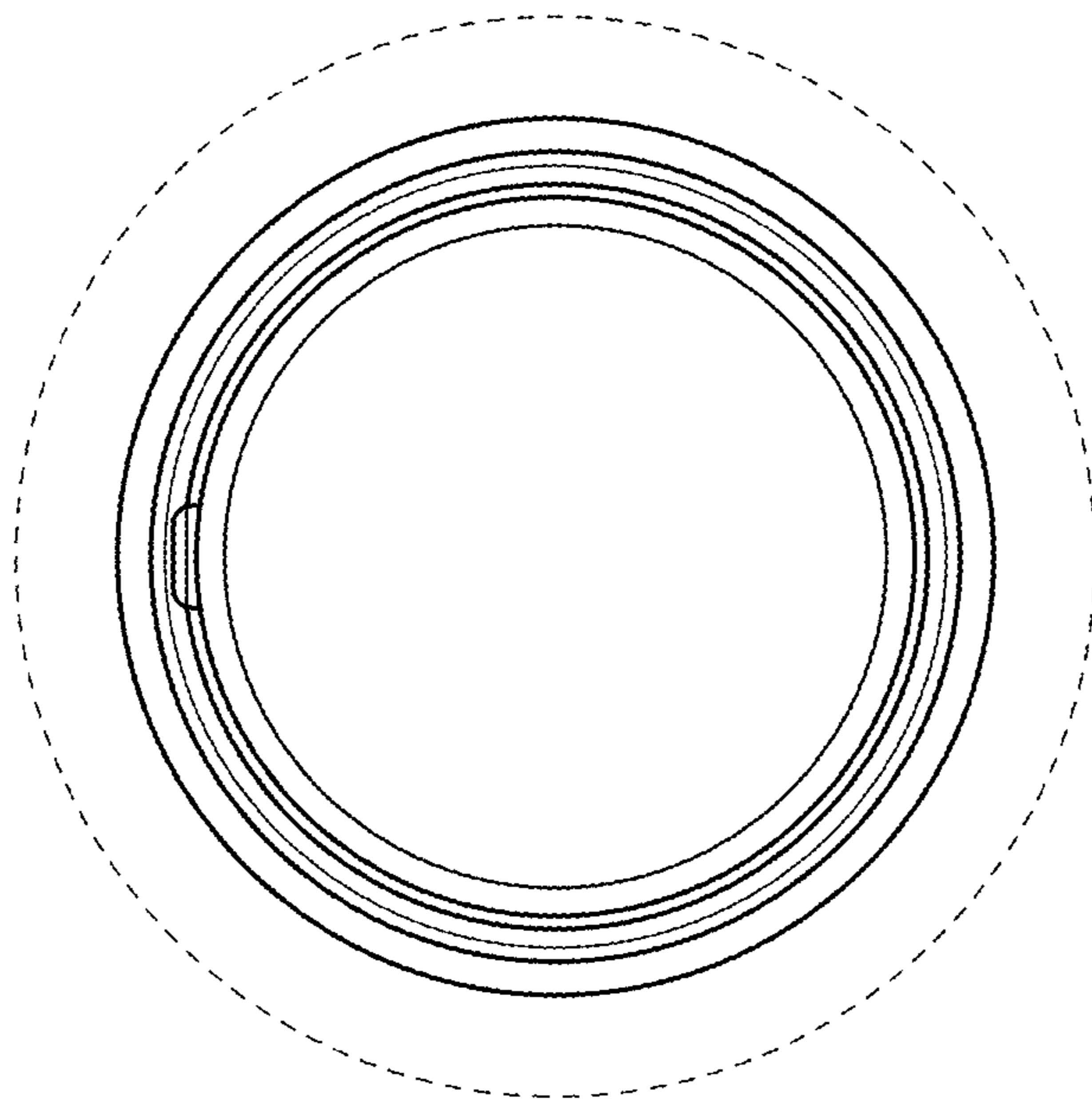


FIG. 6

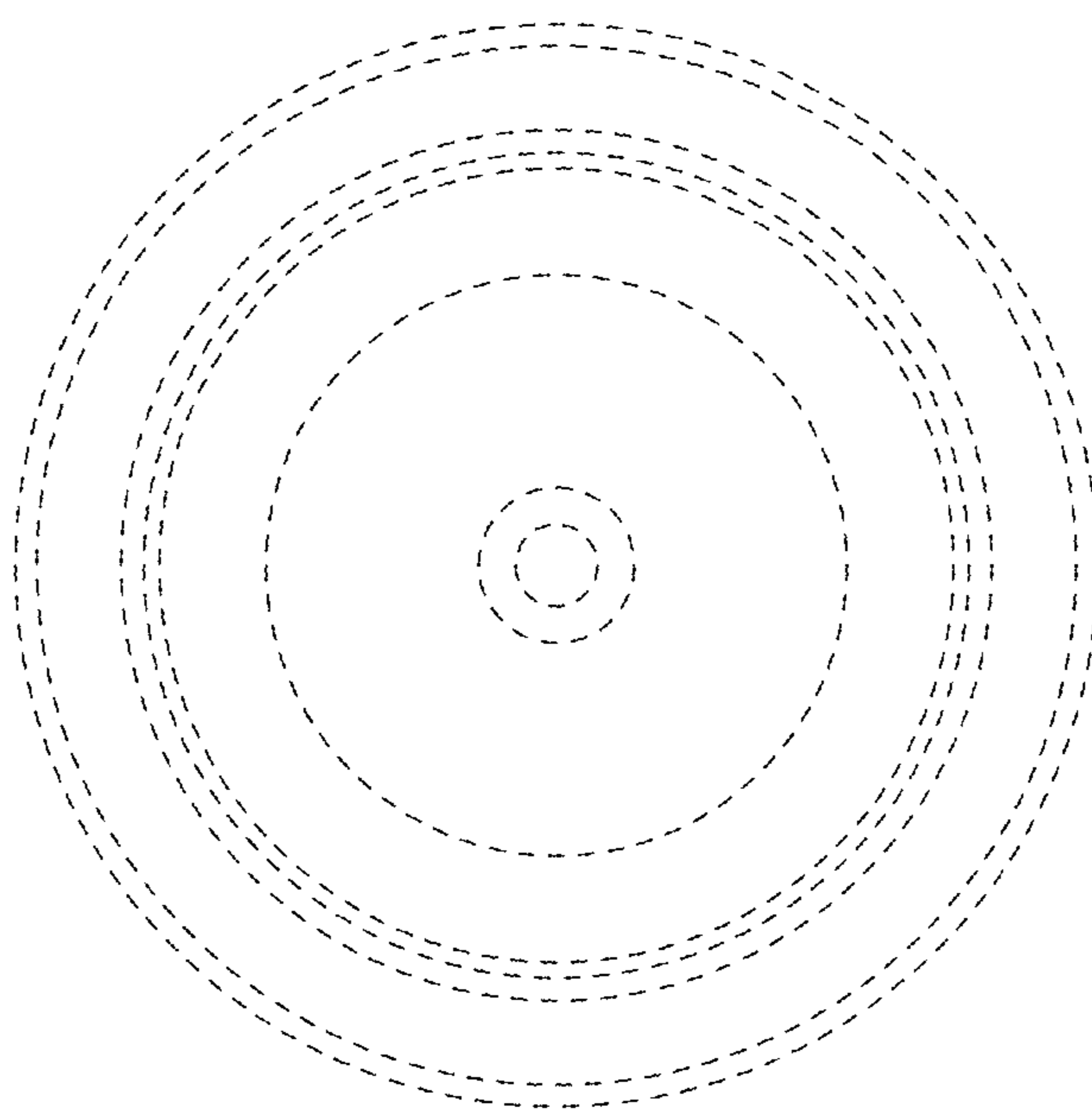


FIG. 7