



US00D794449S

(12) **United States Design Patent**
Polt

(10) **Patent No.:** **US D794,449 S**

(45) **Date of Patent:** **** Aug. 15, 2017**

(54) **LID WITH IMMERSIBLE NOSE
DEPRESSION**

(71) Applicant: **B. Robert Polt**, Redmond, WA (US)

(72) Inventor: **B. Robert Polt**, Redmond, WA (US)

(73) Assignee: **RUUMI CUP**, Bellevue, WA (US)

(**) Term: **14 Years**

(21) Appl. No.: **29/491,462**

(22) Filed: **May 21, 2014**

(51) **LOC (10) Cl.** **09-07**

(52) **U.S. Cl.**

USPC **D9/447**; D9/434; D9/435

(58) **Field of Classification Search**

USPC D3/202, 203.1, 203.2, 318, 273, 275,
D3/294; D24/121, 127, 199, 224;
D7/300, 300.1, 316, 317, 387, 391, 392,
D7/392.1, 393, 396.2, 509, 510, 511, 531,
D7/538, 541, 549, 629, 703, 900;
D9/434, 435, 438, 439, 440, 443, 446,
D9/447, 448, 449, 450, 452, 453, 454,
D9/502, 503, 504, 529; D19/70, 71, 93,
D19/115, 162, 163, 165; 206/216, 219,
206/541, 222, 221, 220; 215/306, 305,
215/228, 200; 220/215.5, 200; 222/81,
222/83, 556, 533, 530, 519, 205, 192,
222/158, 153.01

CPC B65D 50/041; B65D 23/00; B65D 1/00;
B65D 1/02; B65D 1/0223; B65D
2501/00; B65D 2501/0009; B65D 83/06;
B65D 43/00; B65D 43/02

See application file for complete search history.

(56) **References Cited**

U.S. PATENT DOCUMENTS

D533,778 S * 12/2006 Hollis D9/447
D540,674 S * 4/2007 Hollis D9/435

D541,153 S * 4/2007 Hollis D9/435
D541,650 S * 5/2007 Hollis D9/435
D544,793 S * 6/2007 Hollis D9/435
D556,573 S * 12/2007 Hollis D9/435
D556,574 S * 12/2007 Hollis D9/435
D570,685 S * 6/2008 Koennecke D9/447
D570,686 S * 6/2008 Hollis D9/447
7,789,260 B2 * 9/2010 Hollis B65D 43/0212
220/254.3
8,322,562 B2 * 12/2012 Dybala B65D 47/2006
220/703
D675,524 S * 2/2013 Bickert D7/392.1
D696,941 S * 1/2014 Kim D9/447
D696,942 S * 1/2014 Kim D9/447
D696,943 S * 1/2014 Kim D9/447
D704,055 S * 5/2014 Fleming D9/447

(Continued)

FOREIGN PATENT DOCUMENTS

IE 20215-0001 * 2/2003

Primary Examiner — Thomas Johannes

Assistant Examiner — Catherine Posthauer

(74) *Attorney, Agent, or Firm* — McCarter & English,
LLP

(57) **CLAIM**

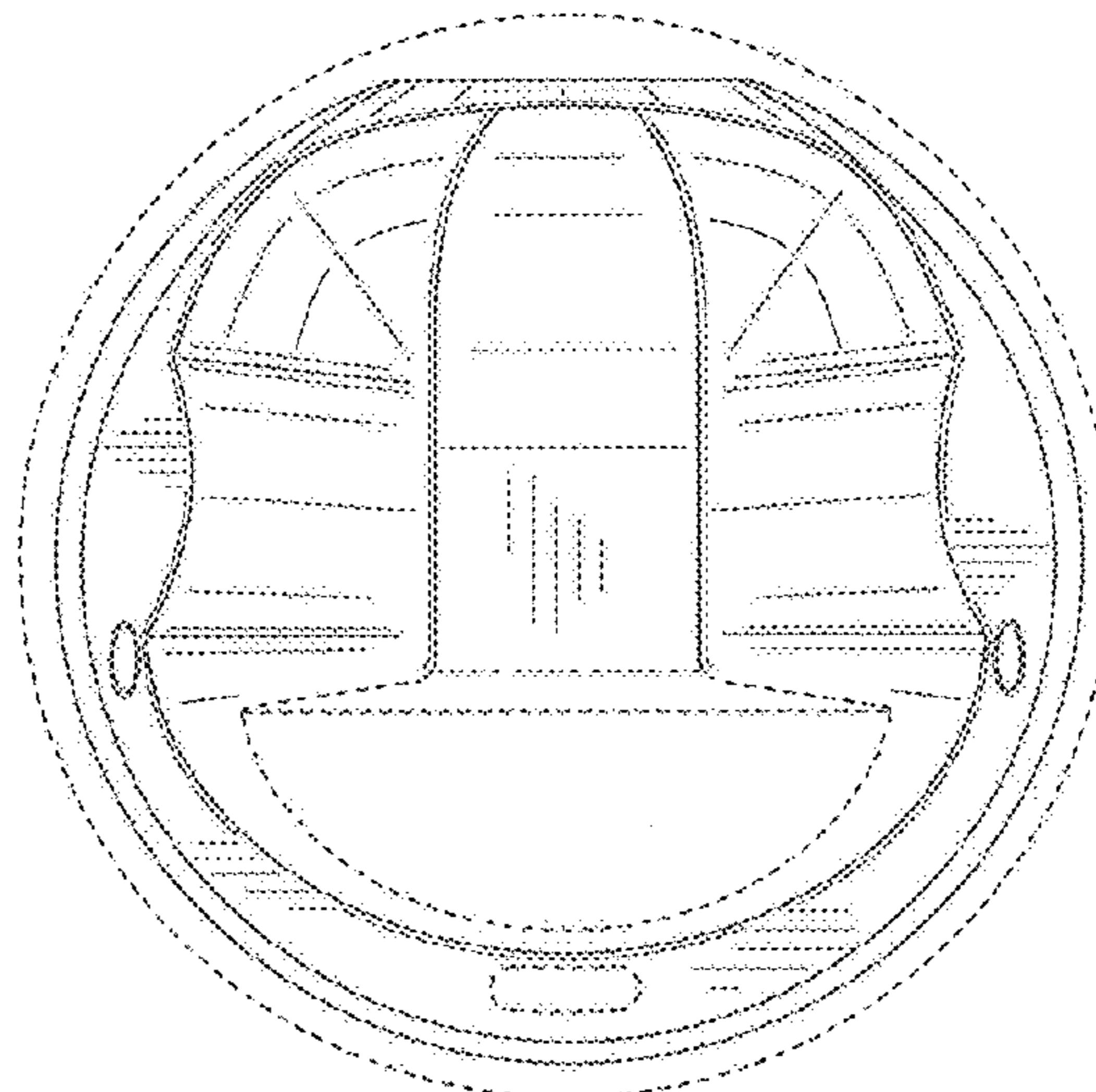
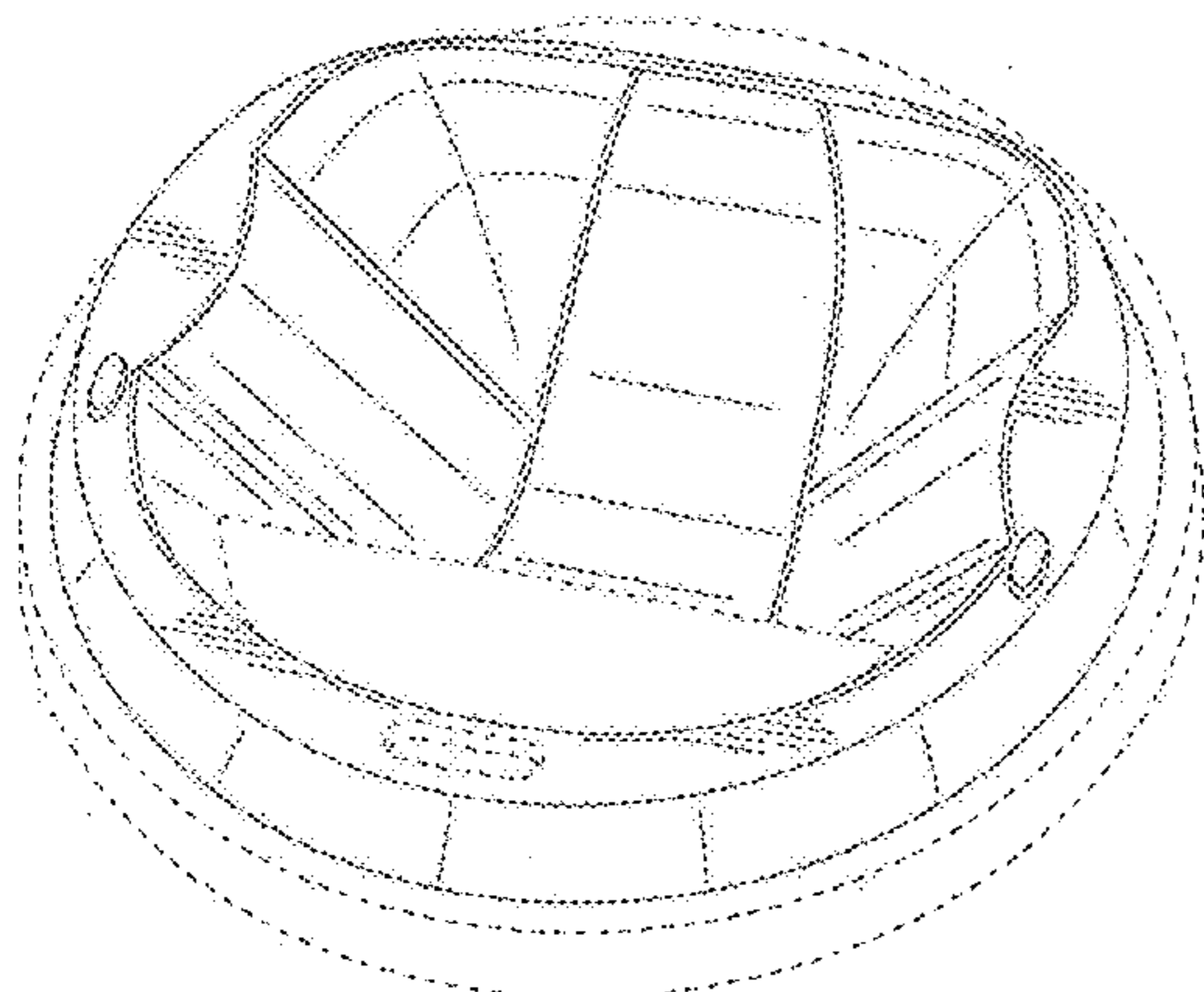
The ornamental design for a lid with immersible nose depression, as shown and described.

DESCRIPTION

FIG. 1 is a perspective view of a lid with immersible nose depression according to my invention;
FIG. 2 is a top view thereof;
FIG. 3 is a front view thereof;
FIG. 4 is a right side view thereof, the left side view being a mirror image thereof;
FIG. 5 is a rear view thereof; and,
FIG. 6 is a bottom view thereof.

The broken lines are shown for the purpose of illustrating parts of the article that form no part of the claimed design.

1 Claim, 4 Drawing Sheets



(56)

References Cited

U.S. PATENT DOCUMENTS

D704,057 S * 5/2014 Bar-Tal D9/449
D705,058 S * 5/2014 Kim D9/447
D709,366 S * 7/2014 Fleming D9/435
D710,698 S * 8/2014 Giraud D7/396.2
8,851,325 B1 * 10/2014 Chiang A47G 19/2272
220/254.3
D722,498 S * 2/2015 Fleming D9/447
D734,152 S * 7/2015 Hager D9/447
D736,623 S * 8/2015 Brannock D9/447
D737,142 S * 8/2015 Brannock D9/447
D739,729 S * 9/2015 Brannock D9/447
D752,436 S * 3/2016 Crudgington D9/434
2003/0089714 A1 * 5/2003 Dart B65D 43/0212
220/254.3
2006/0255037 A1 * 11/2006 Hollis B65D 43/0212
220/254.3
2006/0255038 A1 * 11/2006 Hollis B65D 43/0212
220/254.3
2007/0095832 A1 * 5/2007 Hollis B65D 43/0212
220/254.5

2008/0054005 A1 * 3/2008 Cai B65D 43/0212
220/711
2009/0283535 A1 * 11/2009 Mesalic B65D 43/0212
220/709
2011/0139800 A1 * 6/2011 Urban B65D 43/0212
220/713
2011/0180560 A1 * 7/2011 Hung B65D 43/0218
220/780
2011/0290817 A1 * 12/2011 Weiss B65D 21/0222
220/780
2014/0042177 A1 * 2/2014 Fleming B65D 43/02
220/713
2014/0299614 A1 * 10/2014 Mithal B65D 43/0212
220/713
2014/0319138 A1 * 10/2014 Polt B65D 43/065
220/254.3
2015/0014322 A1 * 1/2015 Kim B65D 43/0212
220/373
2015/0191282 A1 * 7/2015 Crudgington B29D 99/0096
220/254.7
2015/0201777 A1 * 7/2015 Kim A47G 19/2272
220/713

* cited by examiner

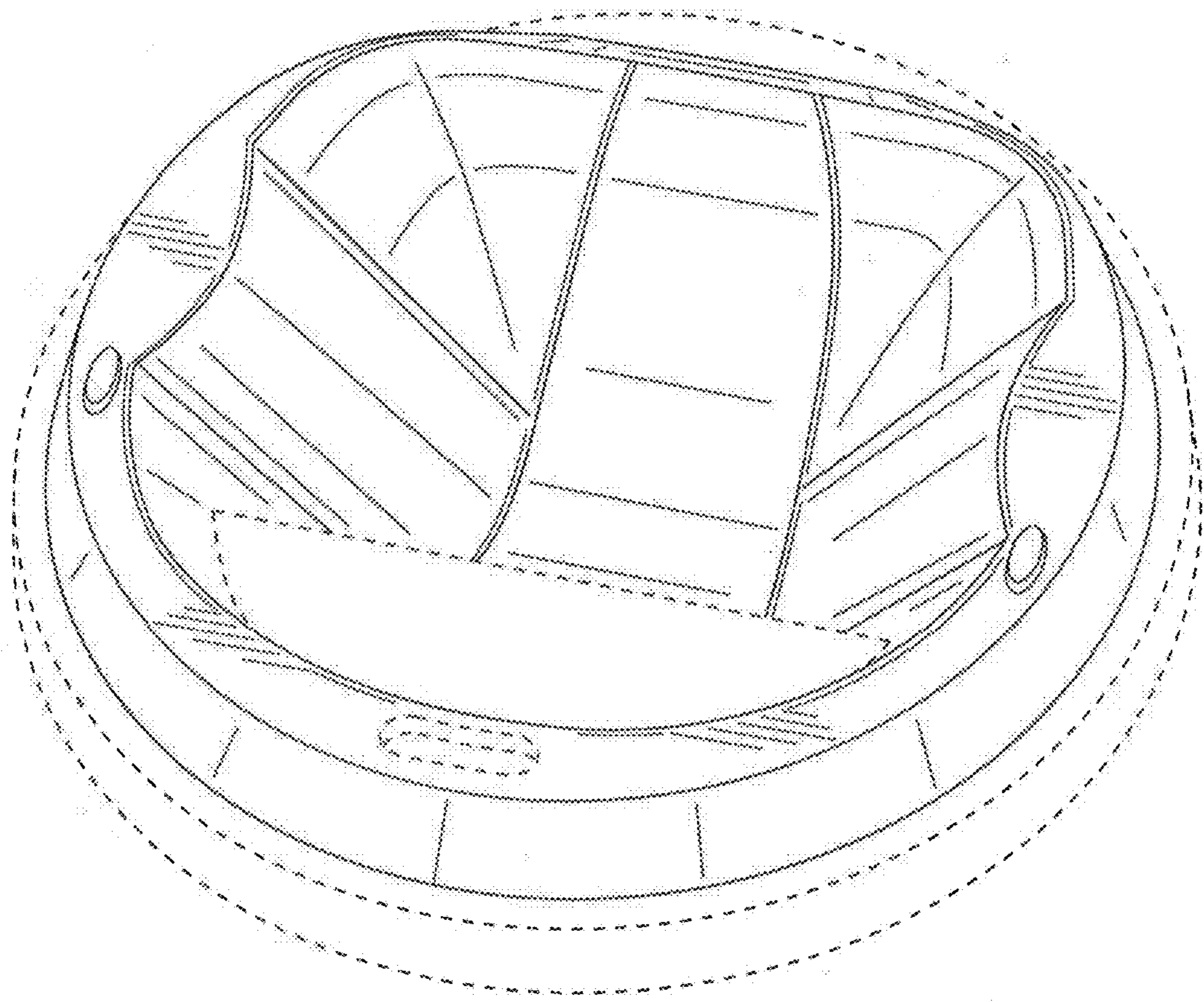


FIG. 1

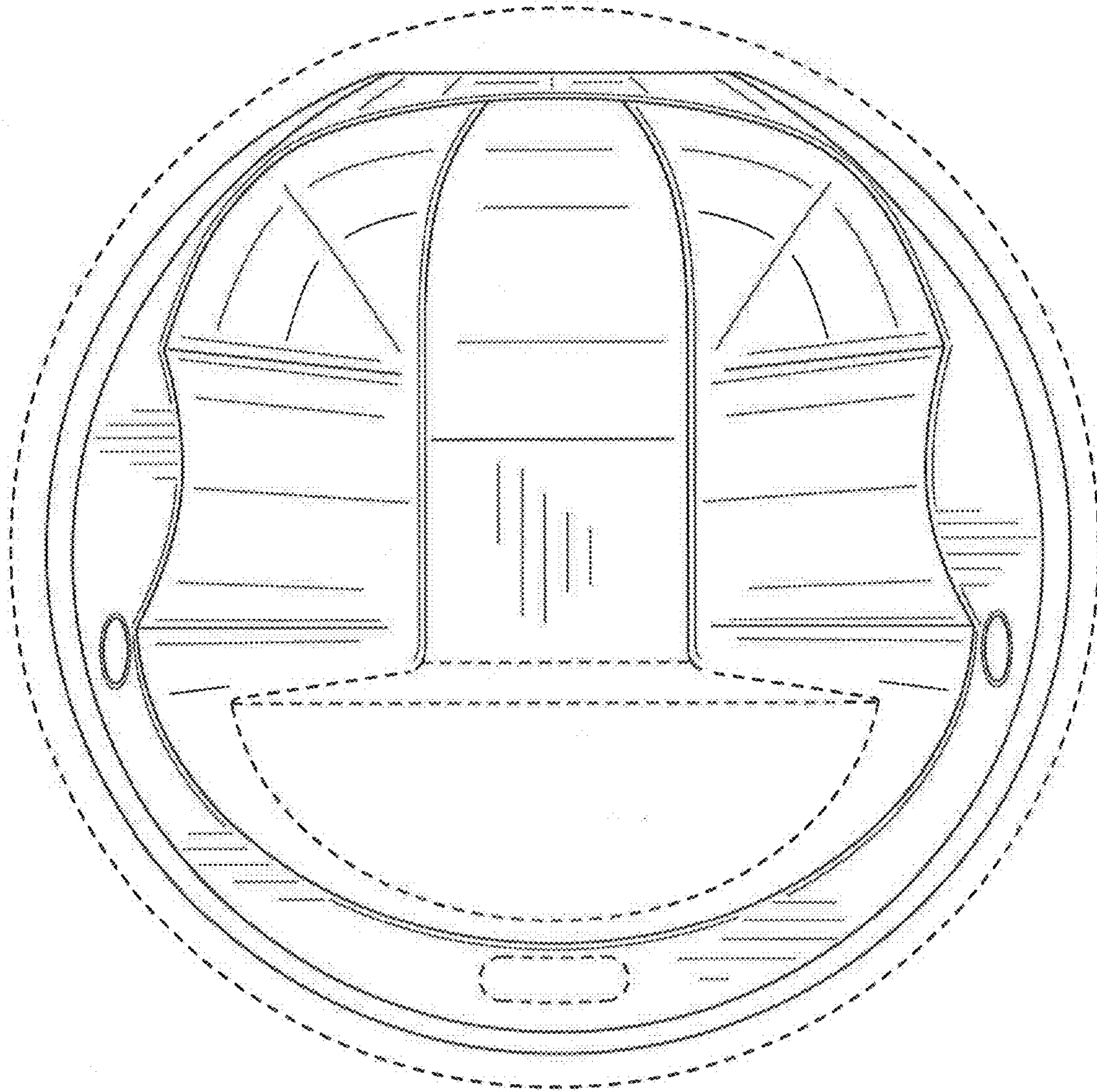


FIG. 2

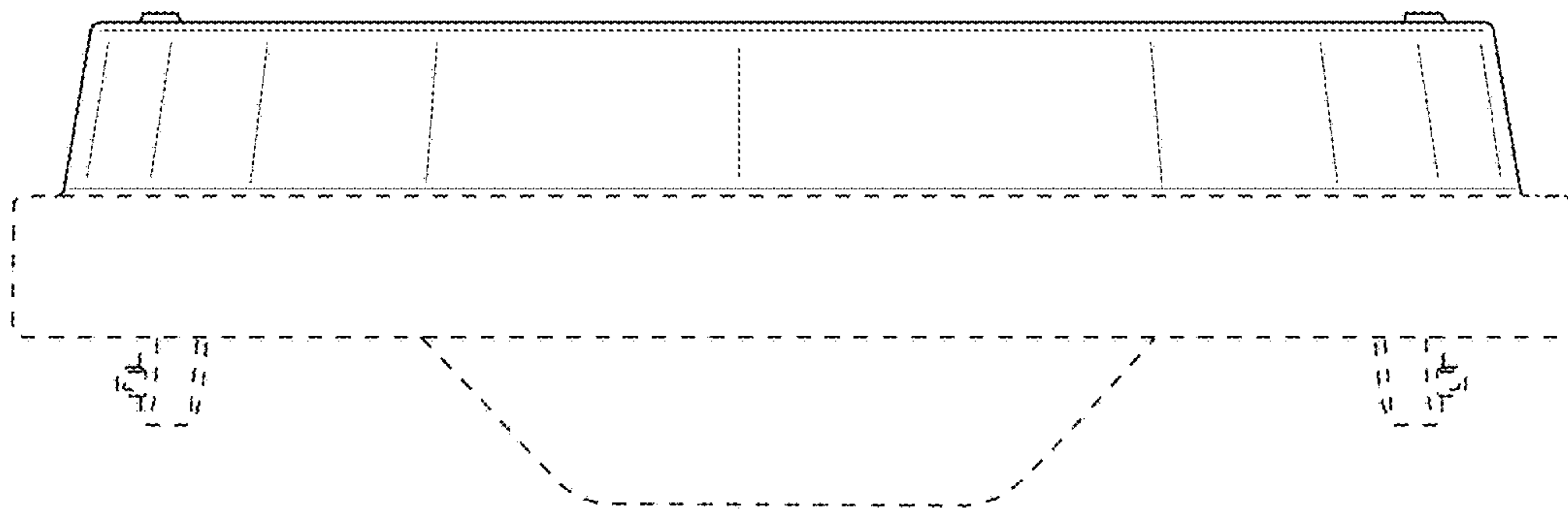


FIG. 3

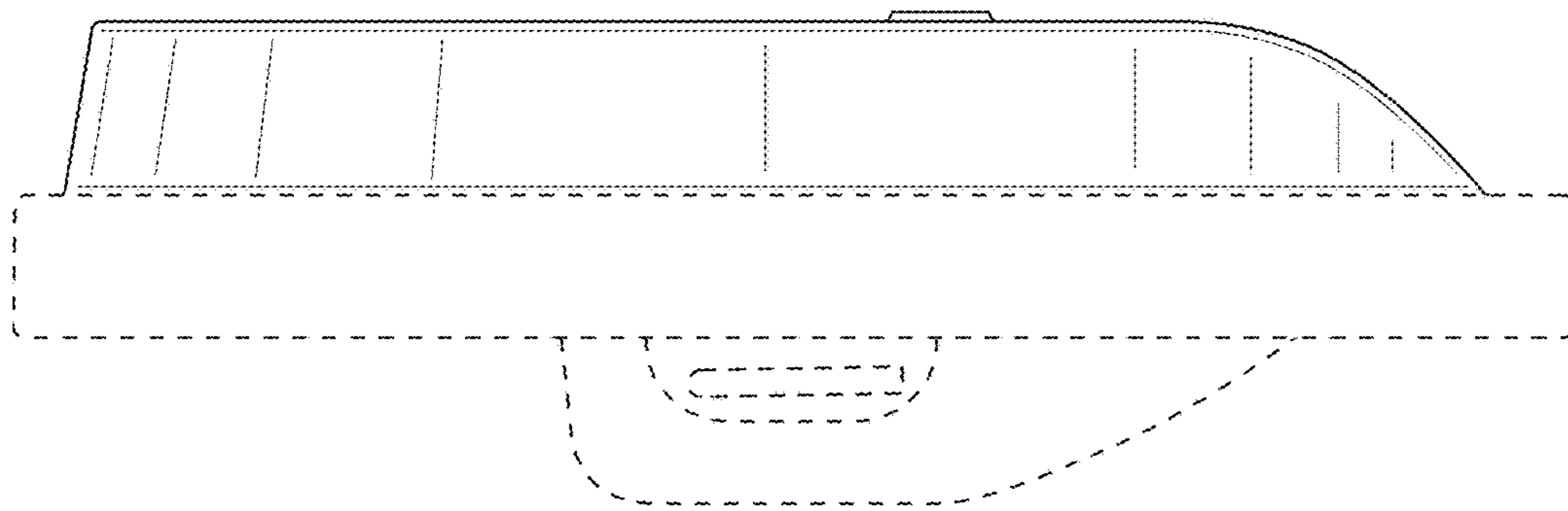


FIG. 4

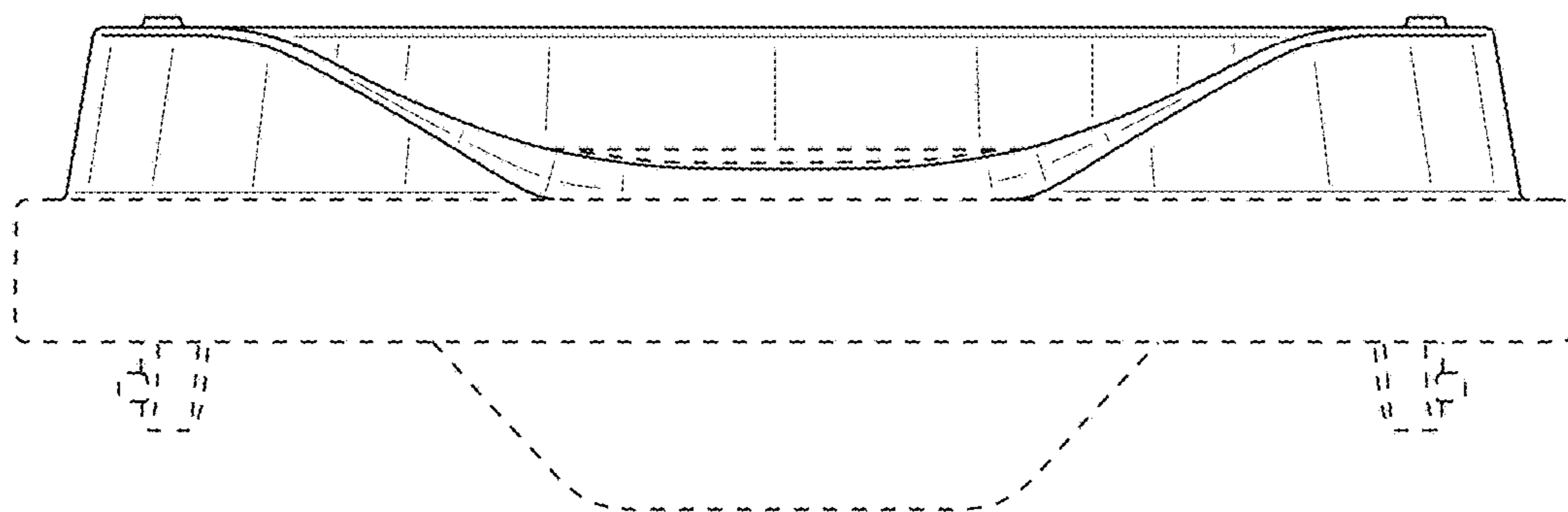


FIG. 5

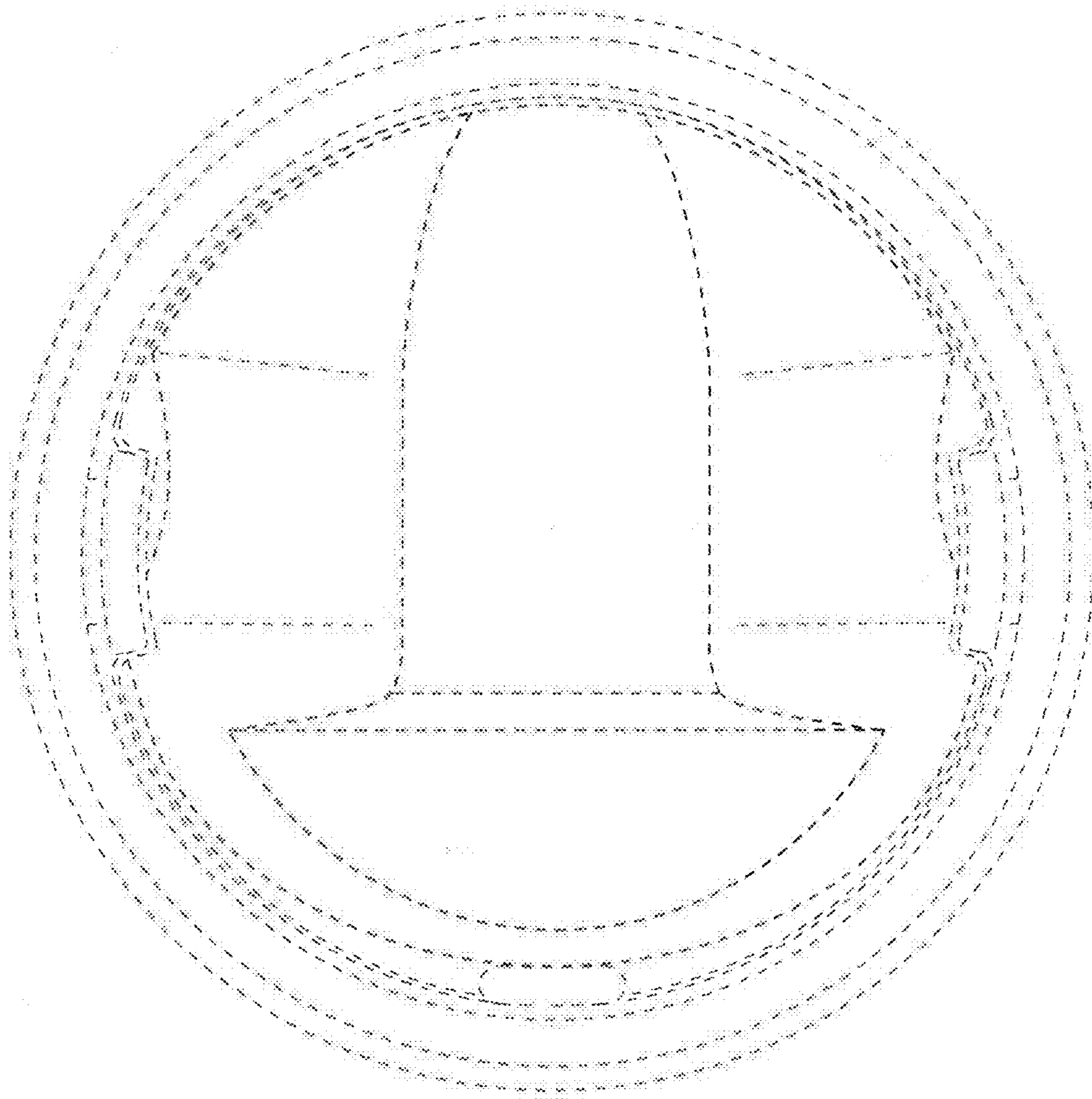


FIG. 6