

US00D794448S

(12) **United States Design Patent** (10) **Patent No.:** **US D794,448 S**  
**Mataya** (45) **Date of Patent:** **\*\* Aug. 15, 2017**

(54) **MEDICATION VIAL CAP WITH ADJUSTABLE INDICATORS**

D708,946 S \* 7/2014 Hutchison ..... D9/447  
D772,065 S \* 11/2016 Mataya ..... D9/436  
2006/0180566 A1\* 8/2006 Mataya ..... A61J 7/04  
215/230

(71) Applicant: **Marc J. Mataya**, Charlotte, NC (US)

(72) Inventor: **Marc J. Mataya**, Charlotte, NC (US)

(\*\*) Term: **15 Years**

(21) Appl. No.: **29/545,210**

(22) Filed: **Nov. 10, 2015**

(51) **LOC (10) Cl.** ..... **09-07**

(52) **U.S. Cl.**  
USPC ..... **D9/436**

(58) **Field of Classification Search**  
USPC ..... D3/318; D7/396.2, 398; D9/434, 435,  
D9/436, 438, 440, 443, 444, 445, 447,  
D9/449, 452, 453, 454, 499  
CPC ..... B65D 41/34; B65D 41/3438; B65D  
41/0471; B65D 47/122; B65D 51/28  
See application file for complete search history.

(56) **References Cited**

U.S. PATENT DOCUMENTS

D470,051 S \* 2/2003 Bloom ..... D9/435  
D490,707 S \* 6/2004 Mataya ..... D24/224  
D531,900 S \* 11/2006 Mavin ..... D9/447  
D591,152 S \* 4/2009 Hatalla ..... D9/447  
7,661,384 B2 \* 2/2010 Mataya ..... A61J 7/04  
116/307  
D616,746 S \* 6/2010 Stull ..... D9/452  
D634,024 S \* 3/2011 Karpiloff ..... D24/224  
D662,216 S \* 6/2012 Karpiloff ..... D24/224  
D690,433 S \* 9/2013 Karpiloff ..... D24/224

OTHER PUBLICATIONS

Leslie Loves Veggies. RX Timer Cap—Never Miss Another Dose of Medication. Nov. 13, 2012 [earliest online date], [site visited Dec. 2, 2016]. Available from Internet, <URL:http://www.leslielovesveggies.net/2012/11/rx-timer-cap.html>.\*

\* cited by examiner

*Primary Examiner* — Robert M Spear  
*Assistant Examiner* — Darcey E Heflin  
(74) *Attorney, Agent, or Firm* — Ralph H. Dougherty

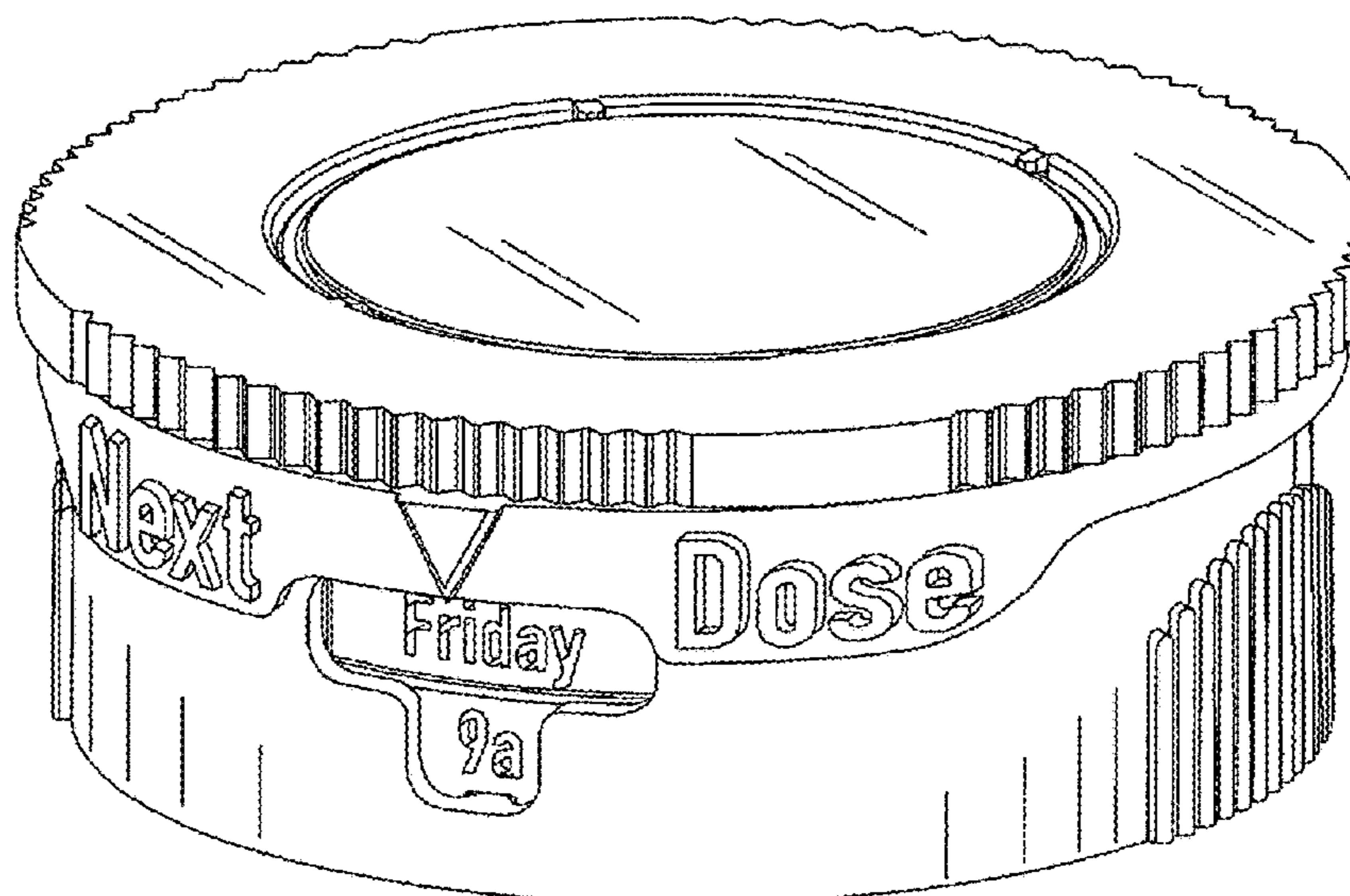
(57) **CLAIM**

The ornamental design for a medication vial cap with adjustable indicators, as shown and described.

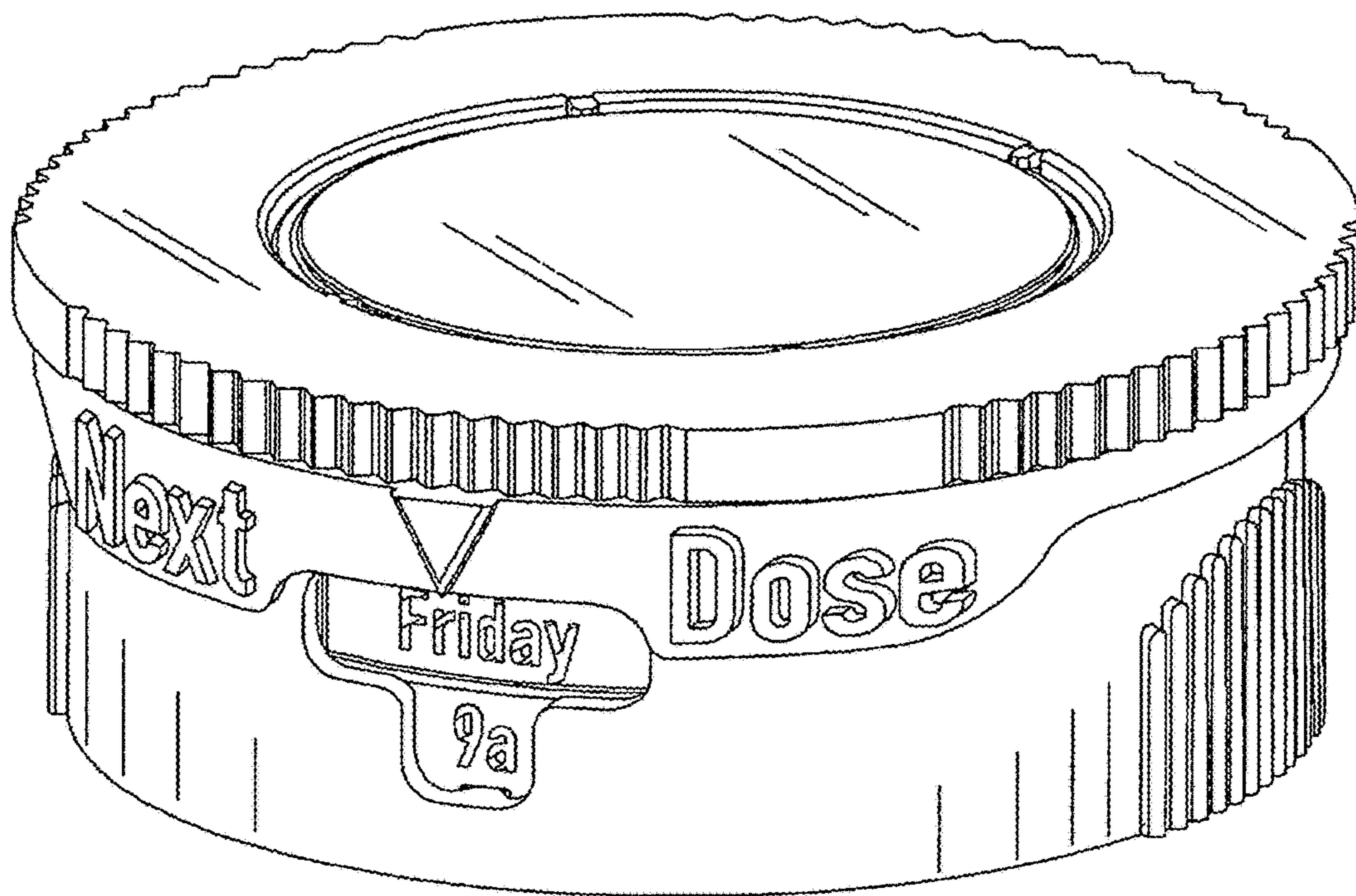
**DESCRIPTION**

FIG. 1 is a perspective view of a medication vial cap with adjustable indicators, showing the new design; FIG. 2 is a top view of the medication vial cap of FIG. 1; FIG. 3 is a bottom view thereof; FIG. 4 is a front view thereof; FIG. 5 is a rear view thereof; FIG. 6 is a left side view thereof; and, FIG. 7 is a right side view thereof. In FIG. 3, the broken lines immediately adjacent shaded surfaces represent boundaries of the claim and form no part thereof; all other broken lines showing portions of a medication vial cap depict environment and form no part of the claim.

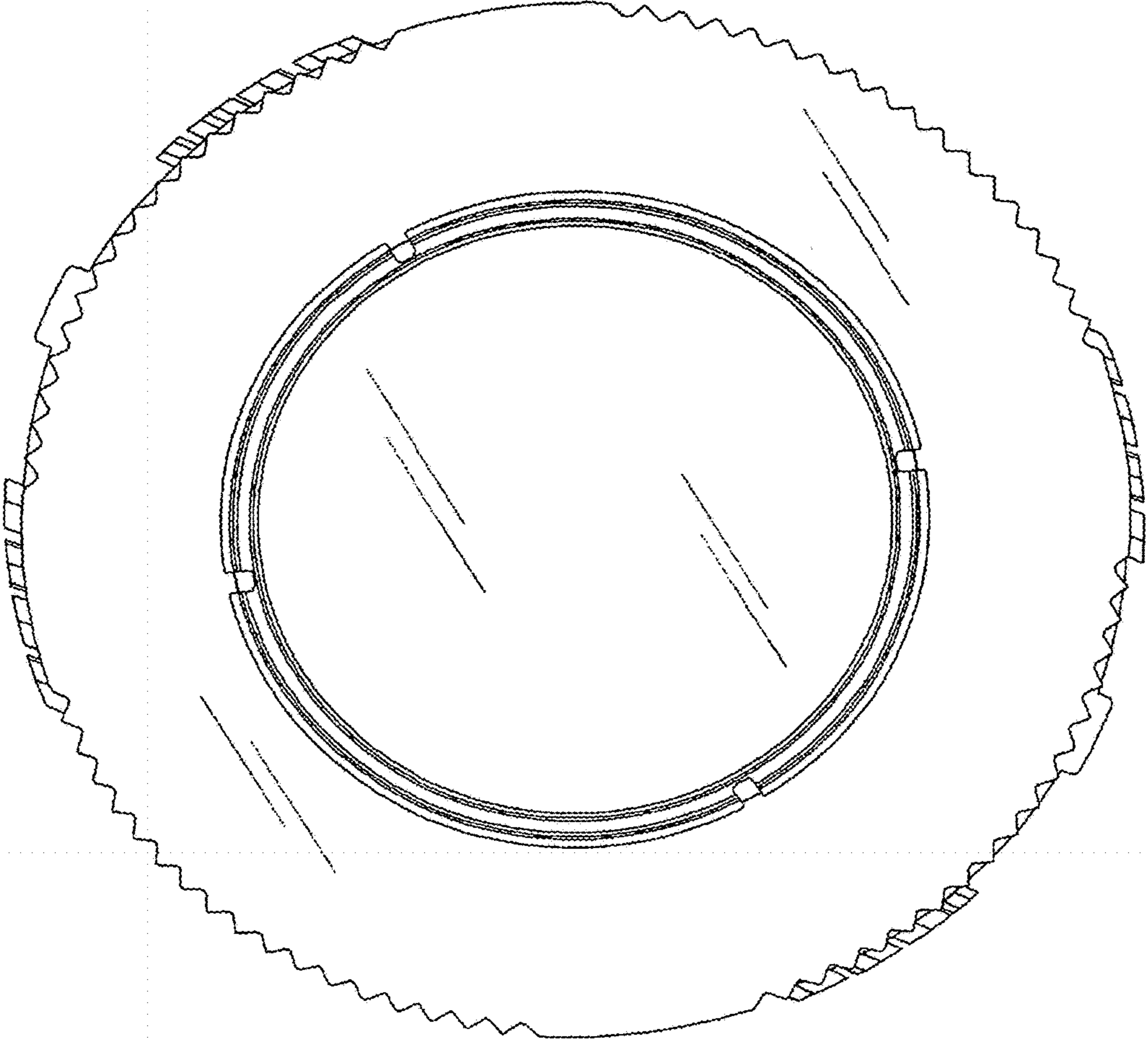
**1 Claim, 5 Drawing Sheets**



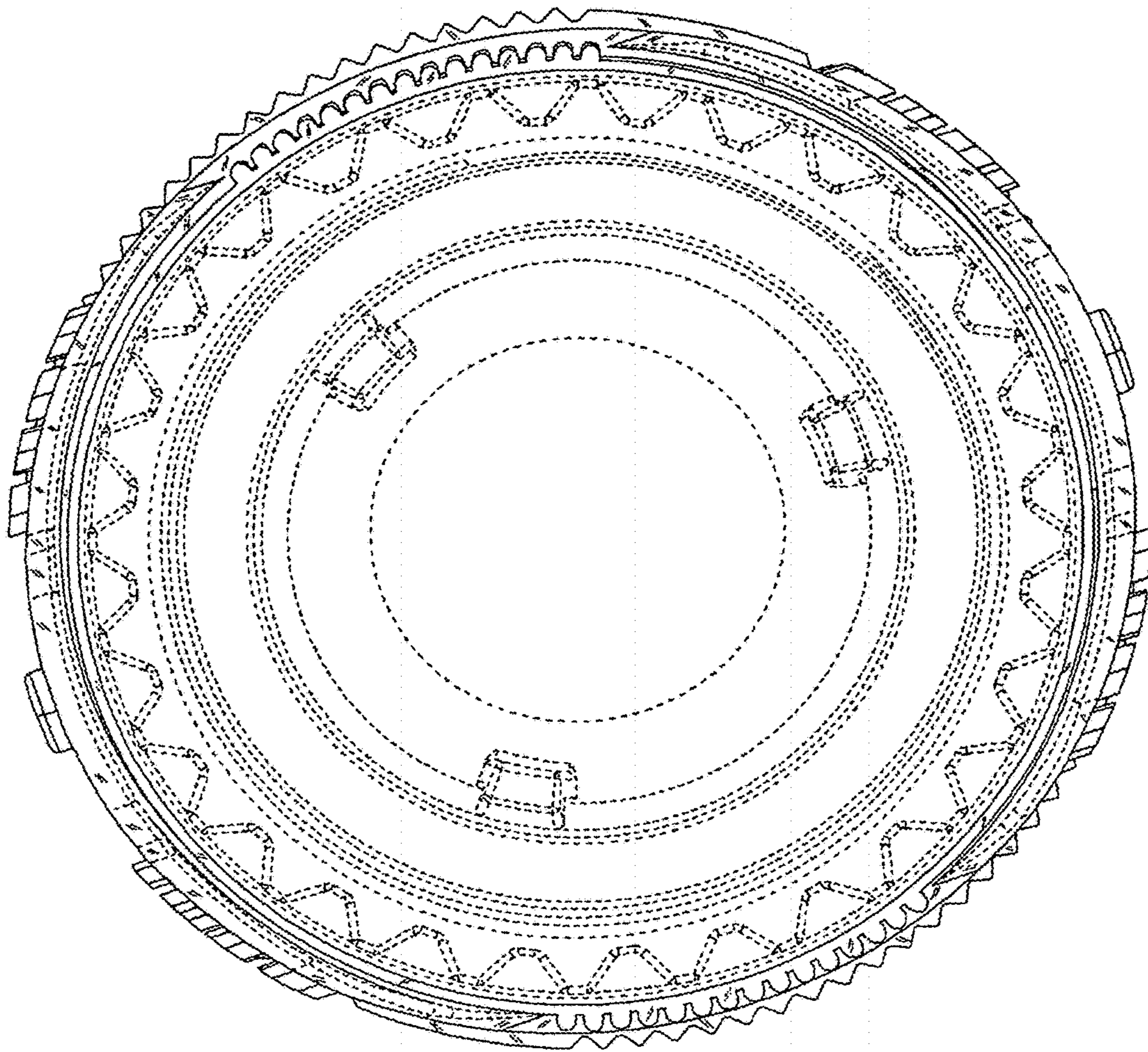
*Fig. 1*



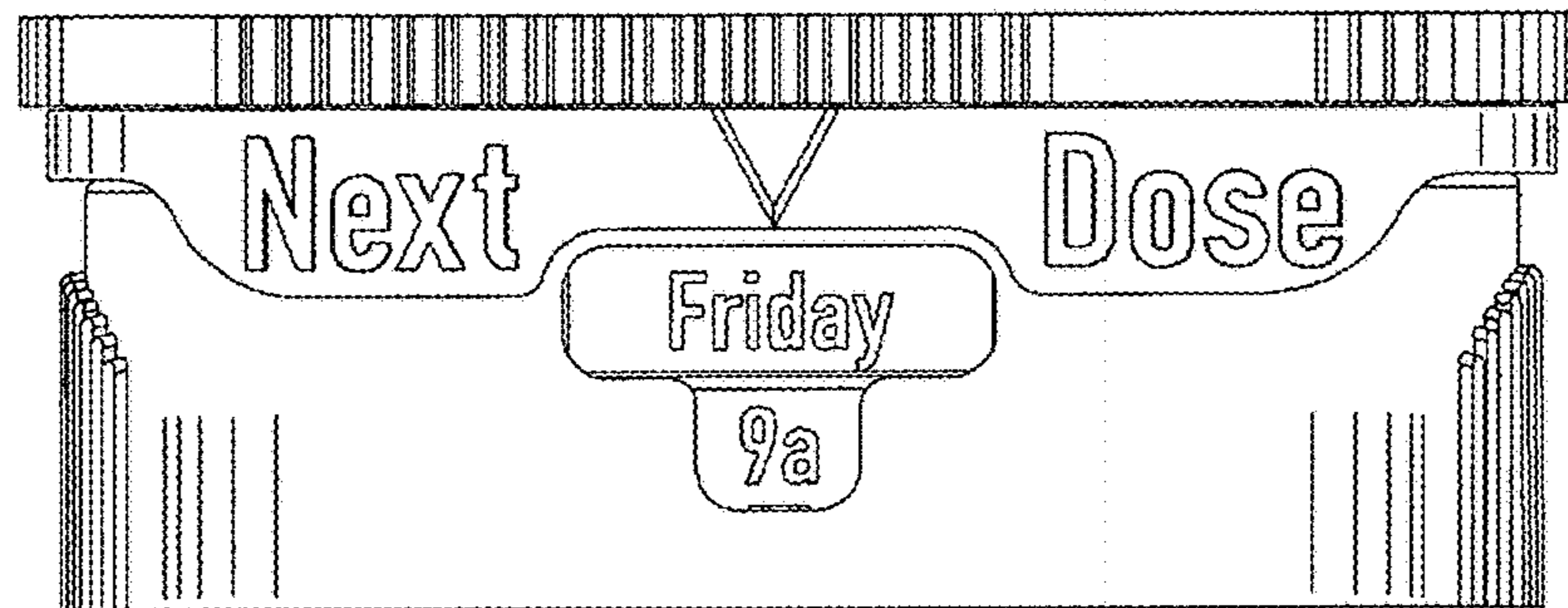
*Fig. 2*



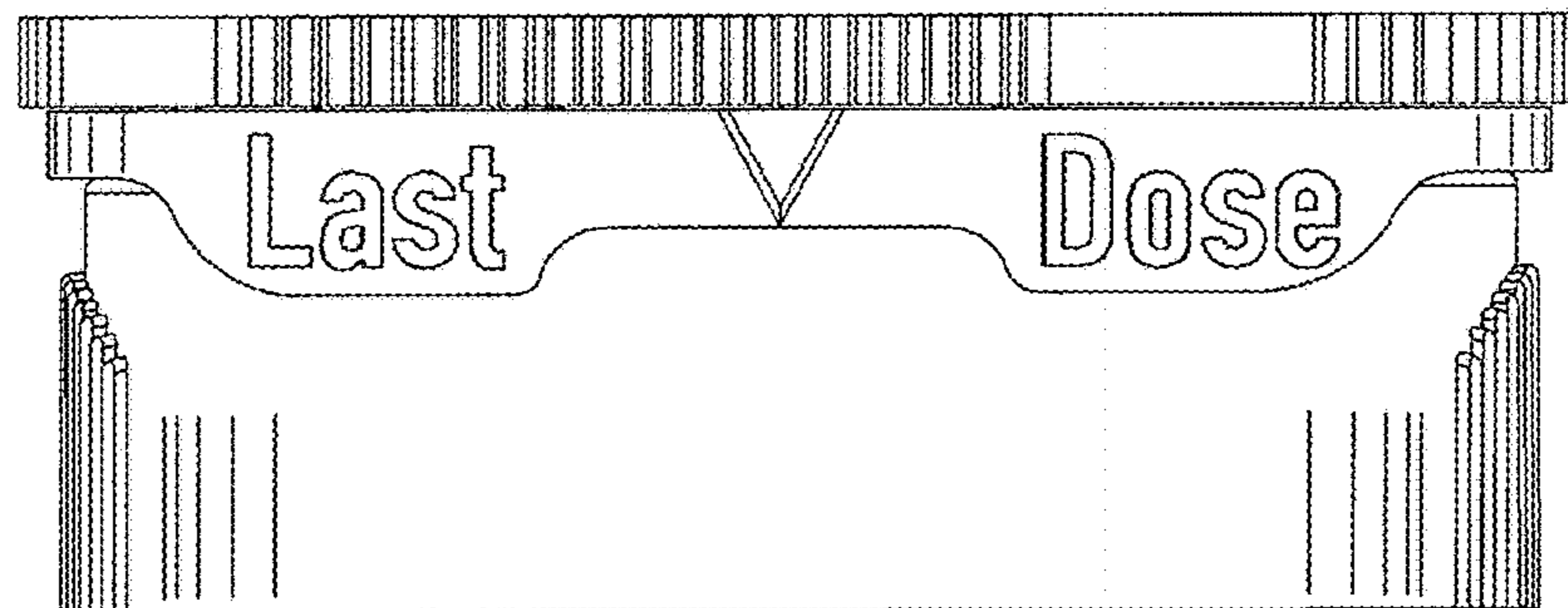
*Fig. 3*



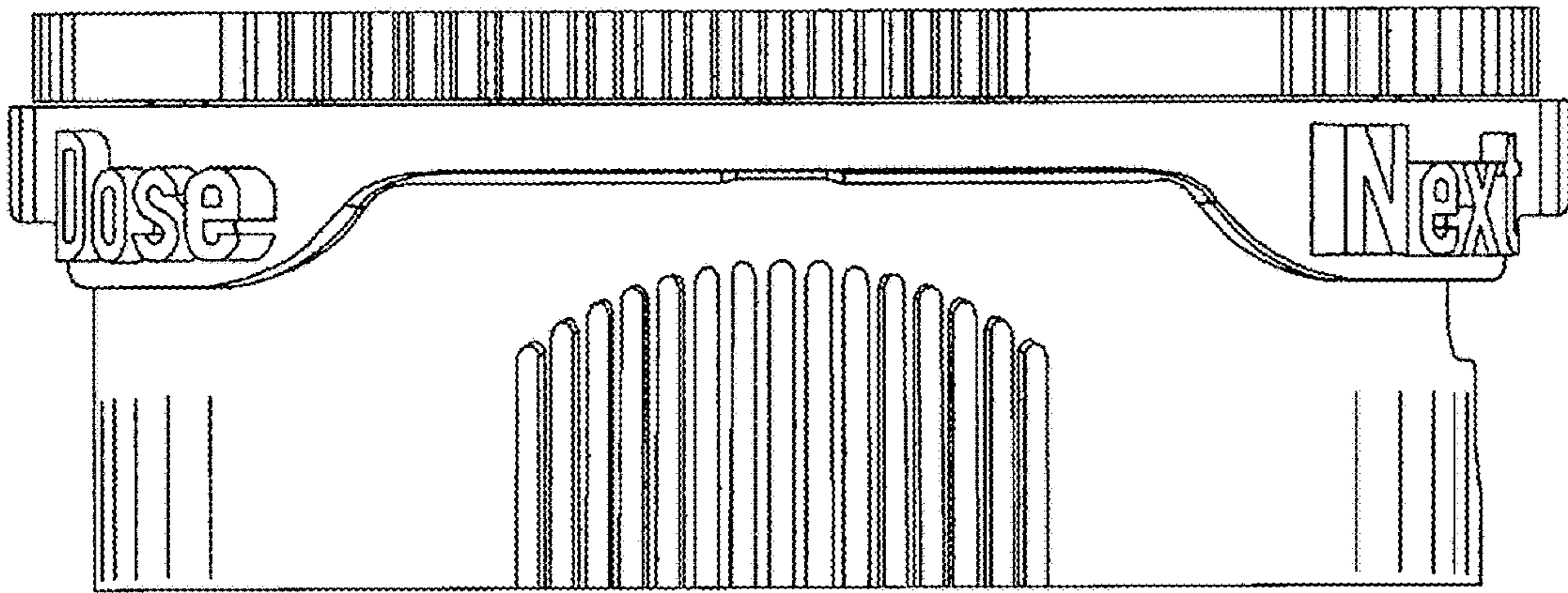
*Fig. 4*



*Fig. 5*



*Fig. 6*



*Fig. 7*

