

US00D794446S

(12) **United States Design Patent** (10) **Patent No.:** **US D794,446 S**
Greenberg et al. (45) **Date of Patent:** **** Aug. 15, 2017**

(54) **BOX**
 (71) Applicant: **ROYALIFE LTD.**, Herzliya (IL)
 (72) Inventors: **Hanan Greenberg**, Herzlia (IL);
Mordechai Baron, Petah Tikva (IL)
 (73) Assignee: **ROYALIFE LTD.**, Herzliya (IL)
 (**) Term: **15 Years**
 (21) Appl. No.: **29/553,846**
 (22) Filed: **Feb. 4, 2016**

(30) **Foreign Application Priority Data**
 Aug. 4, 2015 (IL) 57268
 (51) **LOC (10) Cl.** **09-03**
 (52) **U.S. Cl.**
 USPC **D9/432; D9/433**
 (58) **Field of Classification Search**
 USPC D9/414-434, 442-445, 456, 457, 542,
 D9/563, 600, 614-624, 655, 657, 658,
 (Continued)

(56) **References Cited**
 U.S. PATENT DOCUMENTS
 D186,819 S * 12/1959 Schaefer D7/602
 D201,702 S * 7/1965 Howard D19/90
 (Continued)

OTHER PUBLICATIONS
 Sandusky Buddy Letter Size Wall Pocket File. [online] Published date unknown. Retrieved on Nov. 17, 2016 from <URL: http://www.northerntool.com/shop/tools/product_200621821_200621821>.*

Primary Examiner — Vy Koenig
Assistant Examiner — Omeed Agilee

(74) *Attorney, Agent, or Firm* — Pearl Cohen Zedek Latzer Baratz LLP

(57) **CLAIM**
 The ornamental design for a box, as shown and described.

DESCRIPTION

FIG. 1 is a top, front, left side perspective view of a box, showing the first embodiment of my new design in an unfolded, flat blank configuration;
 FIG. 2 is a front elevational view thereof;
 FIG. 3 is a back elevational view thereof;
 FIG. 4 is a left side elevational view thereof;
 FIG. 5 is a right side elevational view thereof;
 FIG. 6 is a top plan view thereof;
 FIG. 7 is a bottom plan view thereof;
 FIG. 8 is a top, front, left side perspective view of a box, showing the first embodiment of my new design in a folded and fully assembled configuration;
 FIG. 9 is a front elevational view thereof;
 FIG. 10 is a back elevational view thereof;
 FIG. 11 is a left side elevational view thereof;
 FIG. 12 is a right side elevational view thereof;
 FIG. 13 is a top plan view thereof;
 FIG. 14 is a bottom plan view thereof;
 FIG. 15 is a top, back, right side perspective view thereof;
 FIG. 16 is a top, front, left side perspective view of a box, showing the second embodiment of my new design in an unfolded, flat blank configuration;
 FIG. 17 is a front elevational view thereof;
 FIG. 18 is a back elevational view thereof;
 FIG. 19 is a left side elevational view thereof;
 FIG. 20 is a right side elevational view thereof;
 FIG. 21 is a top plan view thereof;
 FIG. 22 is a bottom plan view thereof;
 FIG. 23 is a top, front, left side perspective view of a box, showing the second embodiment of my new design in a folded and fully assembled configuration;
 FIG. 24 is a front elevational view thereof;
 FIG. 25 is a back elevational view thereof;
 FIG. 26 is a left side elevational view thereof;
 FIG. 27 is a right side elevational view thereof;
 FIG. 28 is a top plan view thereof;

(Continued)

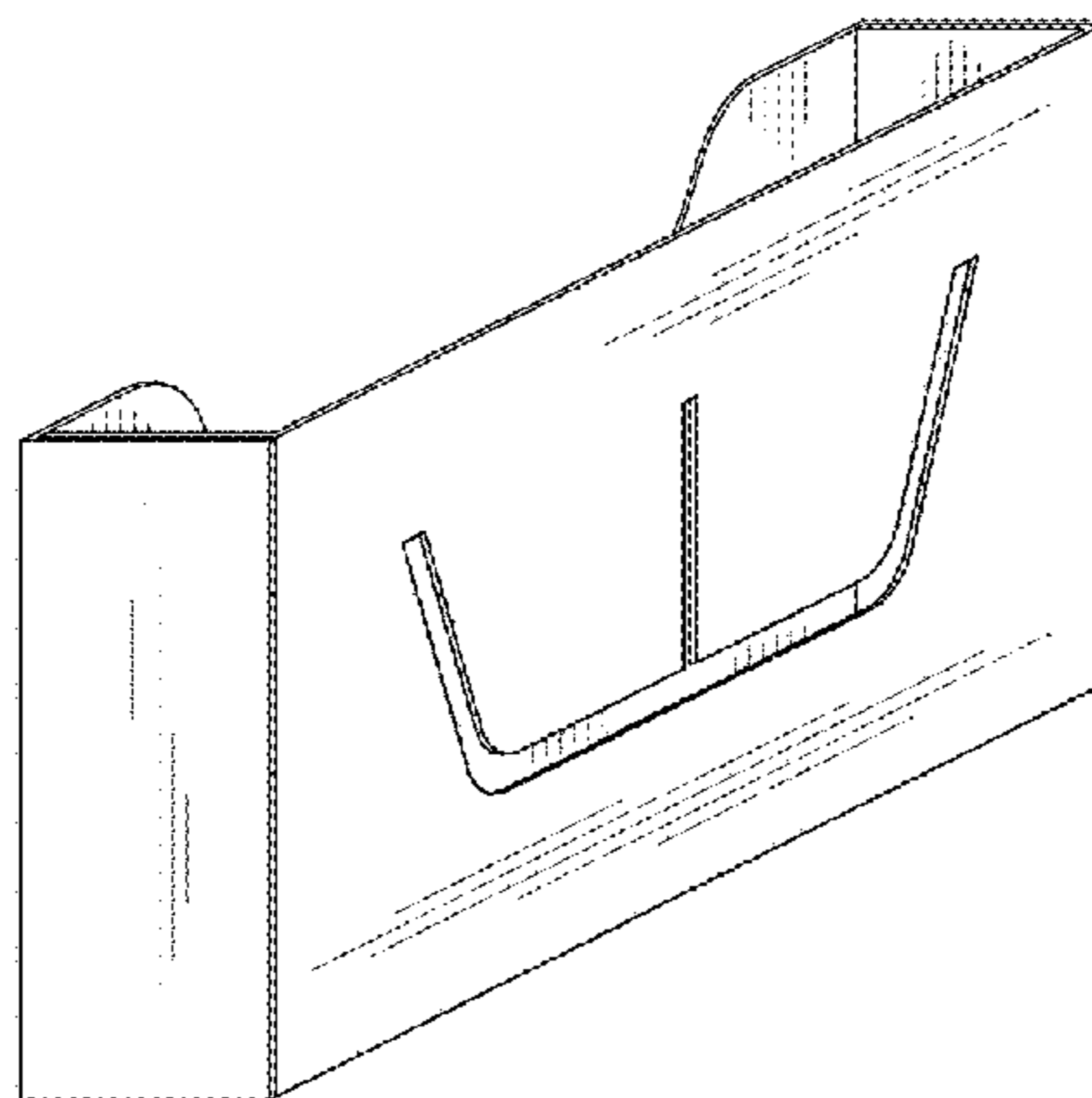
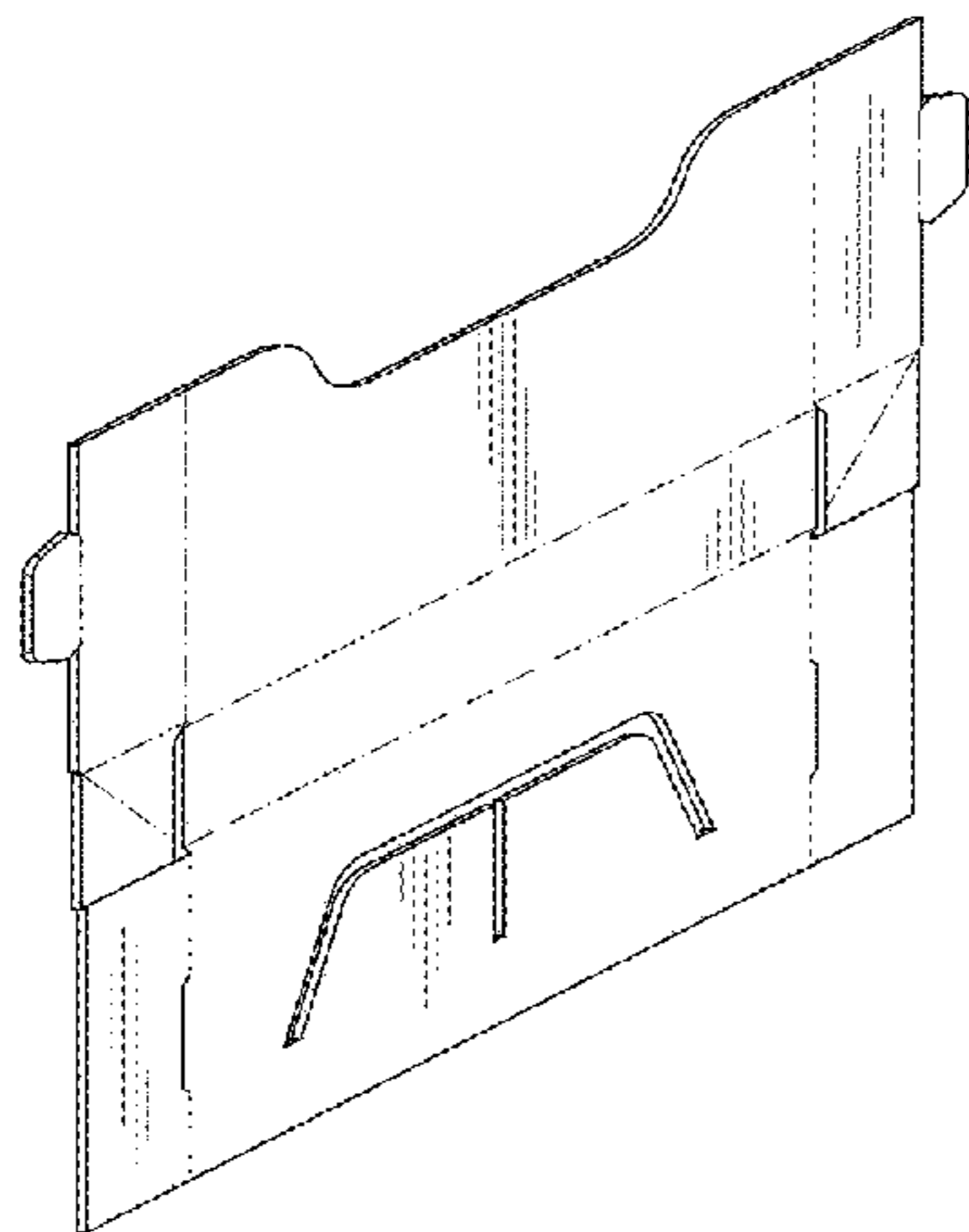


FIG. 29 is a bottom plan view thereof; and, FIG. 30 is a top, back, right side perspective view thereof. In the drawings, the dot-dash lines identify creases or fold lines of the box in its unfolded, flat blank configuration. The jagged broken lines in FIGS. 16-18 and 23-30 show symbolic breaks in the box and convey that the appearance of any portion of the box between break lines forms no part of the claimed design. Neither the dot-dash lines nor the jagged broken lines form any part of the claimed design.

1 Claim, 12 Drawing Sheets

(58) **Field of Classification Search**

USPC D9/661, 695, 697-699, 707, 708, 711, D9/759, 772-776; D3/210-313; D7/601, D7/602
 CPC B65D 5/00; B65D 5/001; B65D 5/0015; B65D 5/1209; B65D 5/0227-5/0254; B65D 5/18

See application file for complete search history.

(56)

References Cited

U.S. PATENT DOCUMENTS

3,204,854	A *	9/1965	Magee	B65D 5/18 206/268
D365,714	S *	1/1996	Masello	D6/526
D387,979	S *	12/1997	Dolan	D9/415
D393,136	S *	4/1998	Gornet	D1/122
D486,185	S *	2/2004	Sheldon	D19/86
D548,282	S *	8/2007	Chen	D19/90
D602,530	S *	10/2009	Thompson	D19/90
D645,088	S *	9/2011	Perkins	D19/90
D645,735	S *	9/2011	Clark	D9/423
D697,310	S *	1/2014	Snider	D3/306
D699,565	S *	2/2014	Mitra-Shah	D9/423
D727,143	S *	4/2015	Gomez	D14/251
D745,392	S *	12/2015	Solovov, Jr.	D9/433
2010/0224644	A1 *	9/2010	Aldridge	B65D 5/16 220/810
2011/0253572	A1 *	10/2011	Ortenzi	B65D 5/00 206/438

* cited by examiner

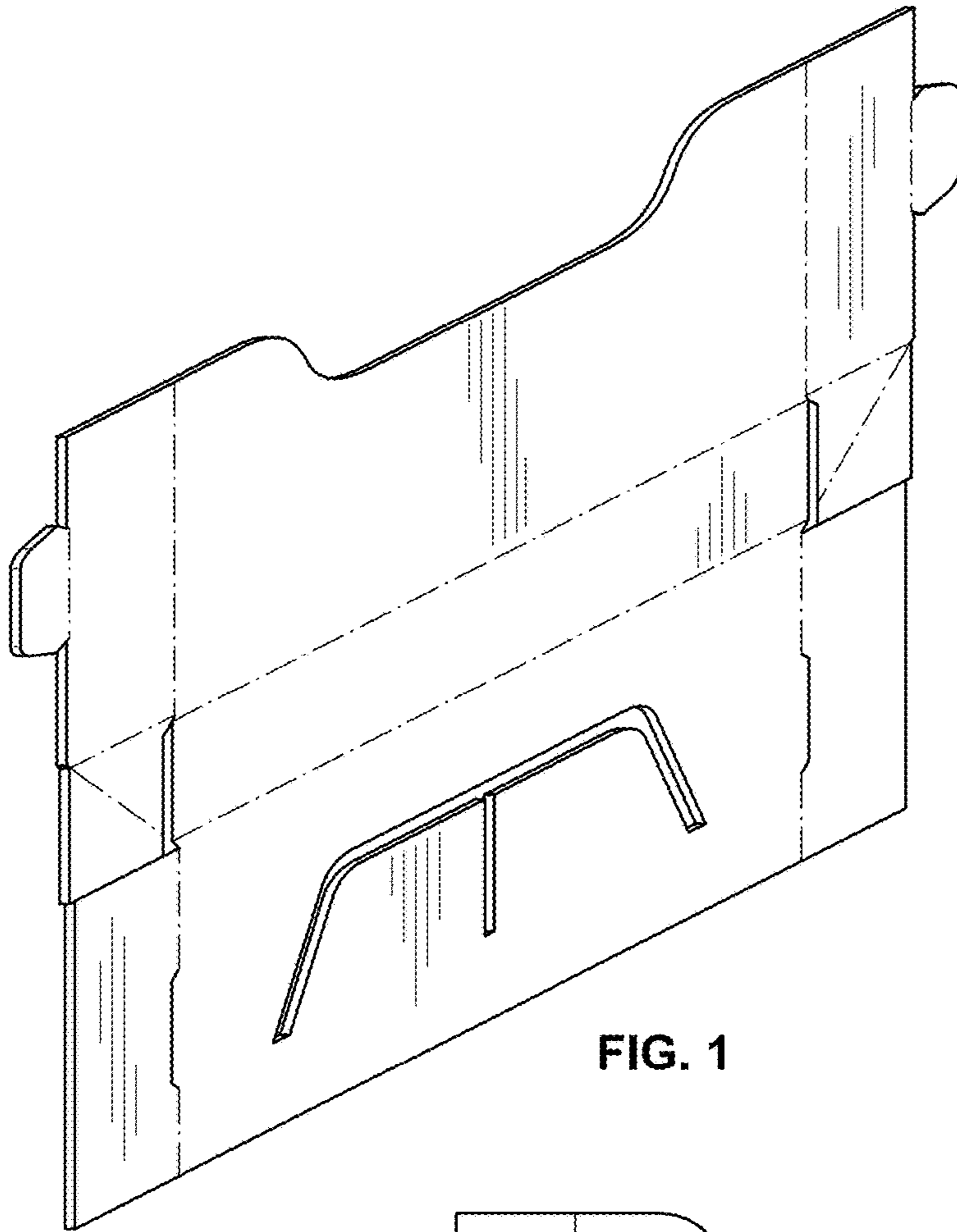


FIG. 1

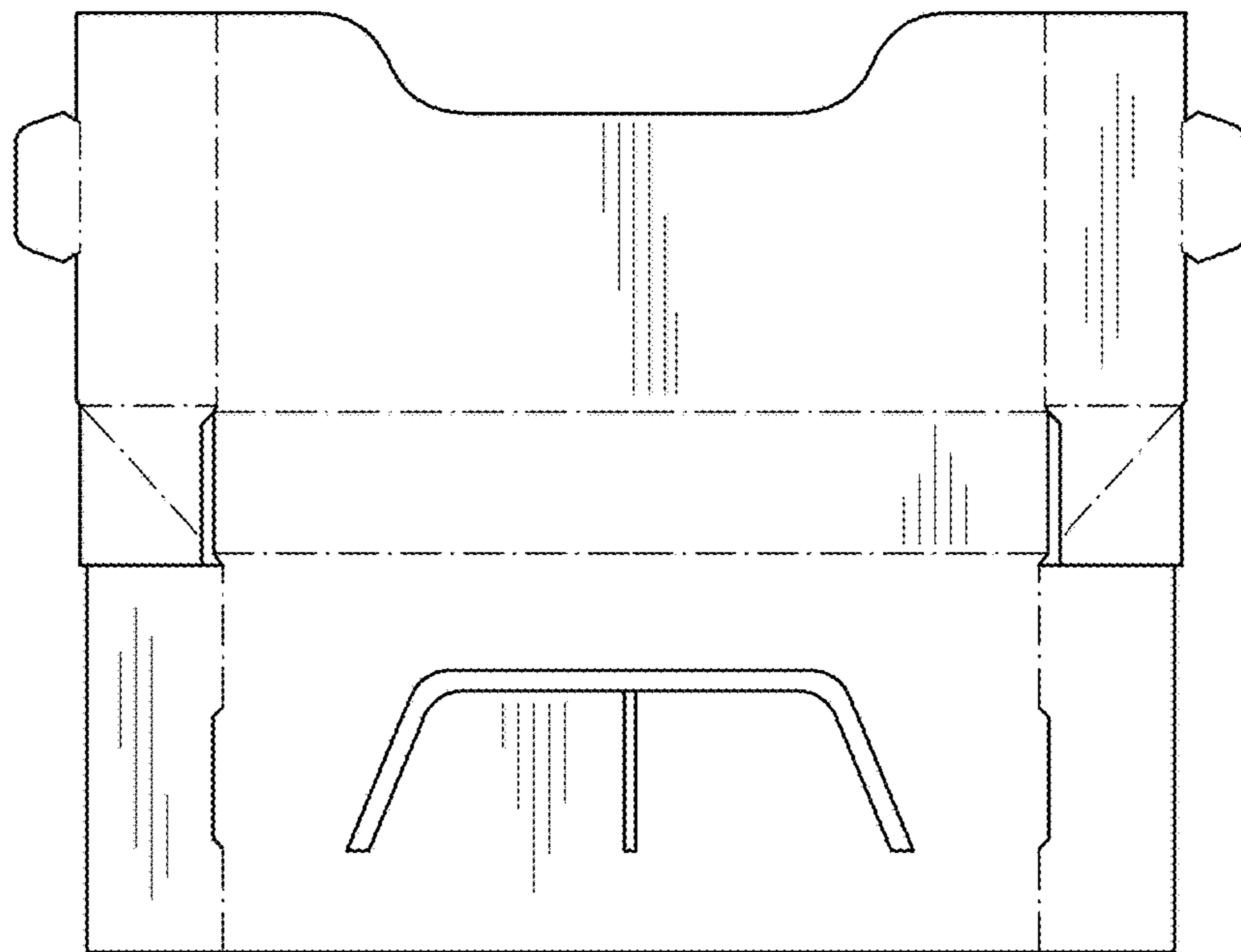


FIG. 2

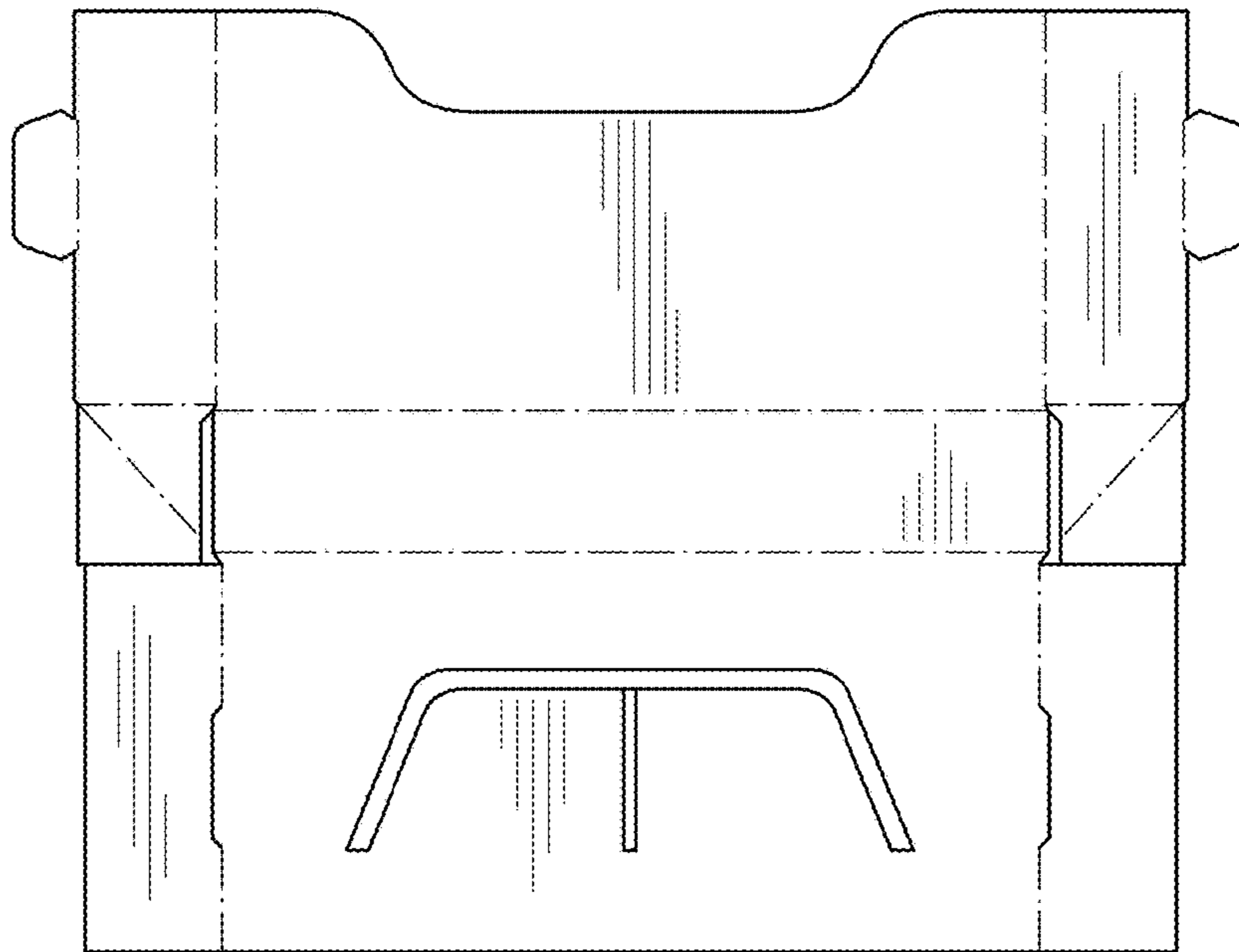


FIG. 3



FIG. 4

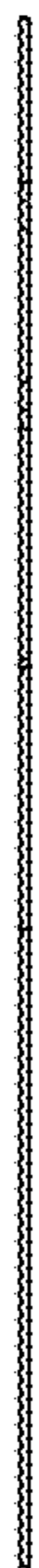


FIG. 5

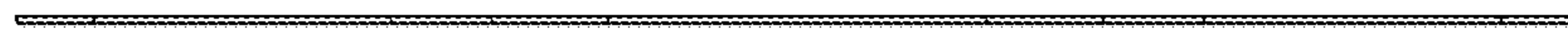


FIG. 6

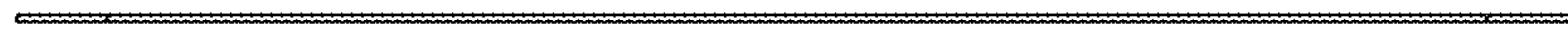


FIG. 7

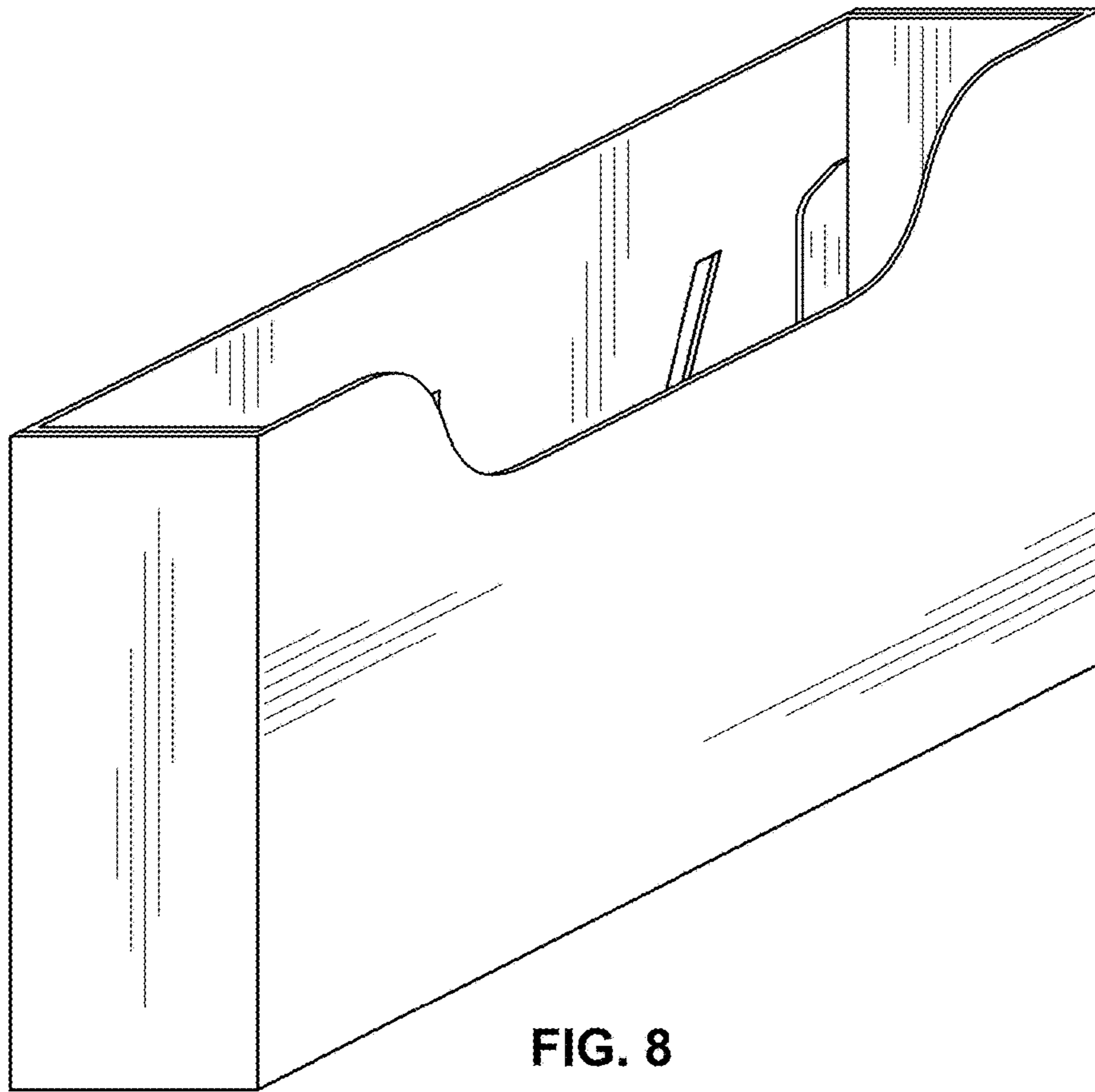


FIG. 8

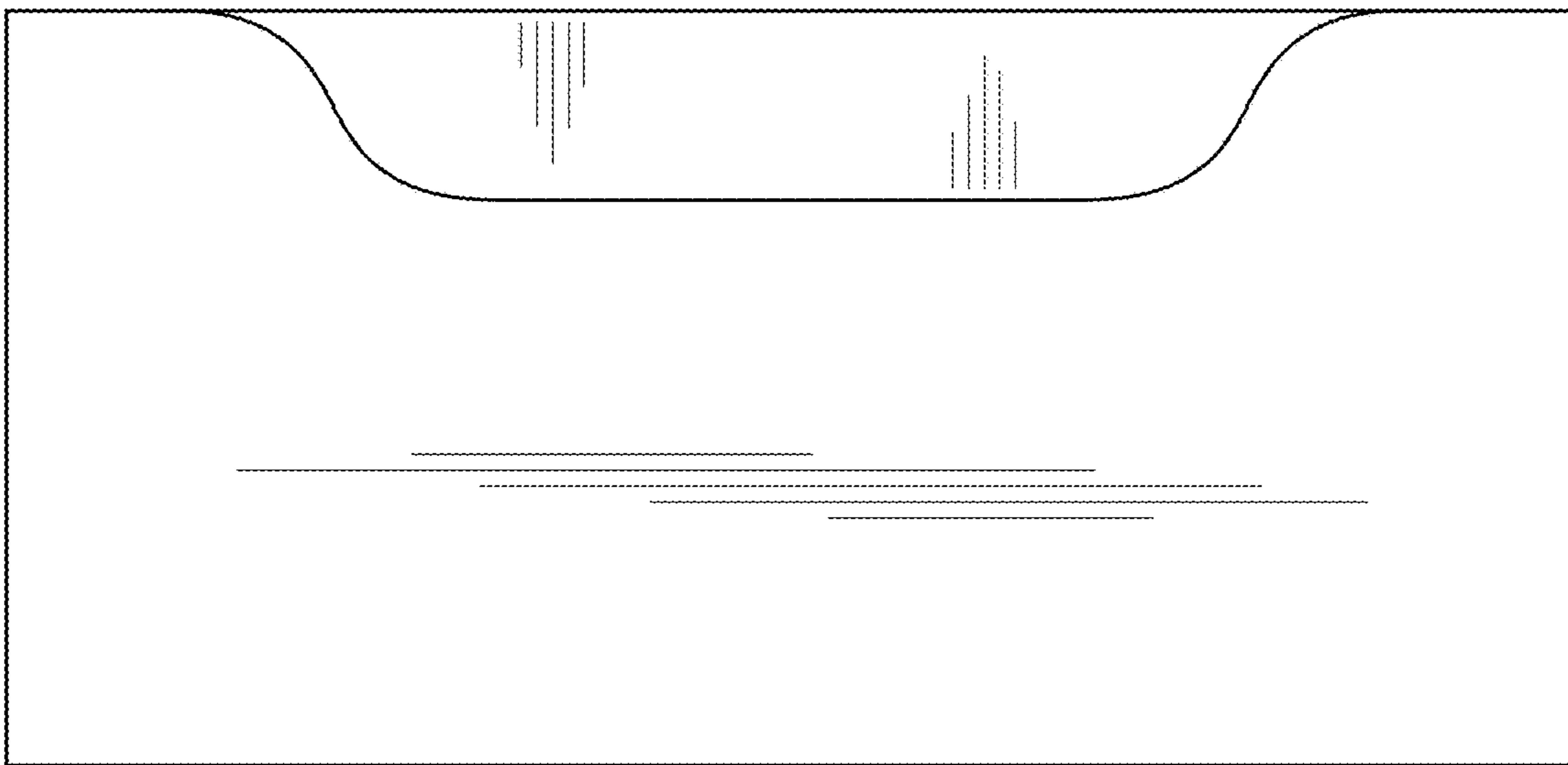


FIG. 9

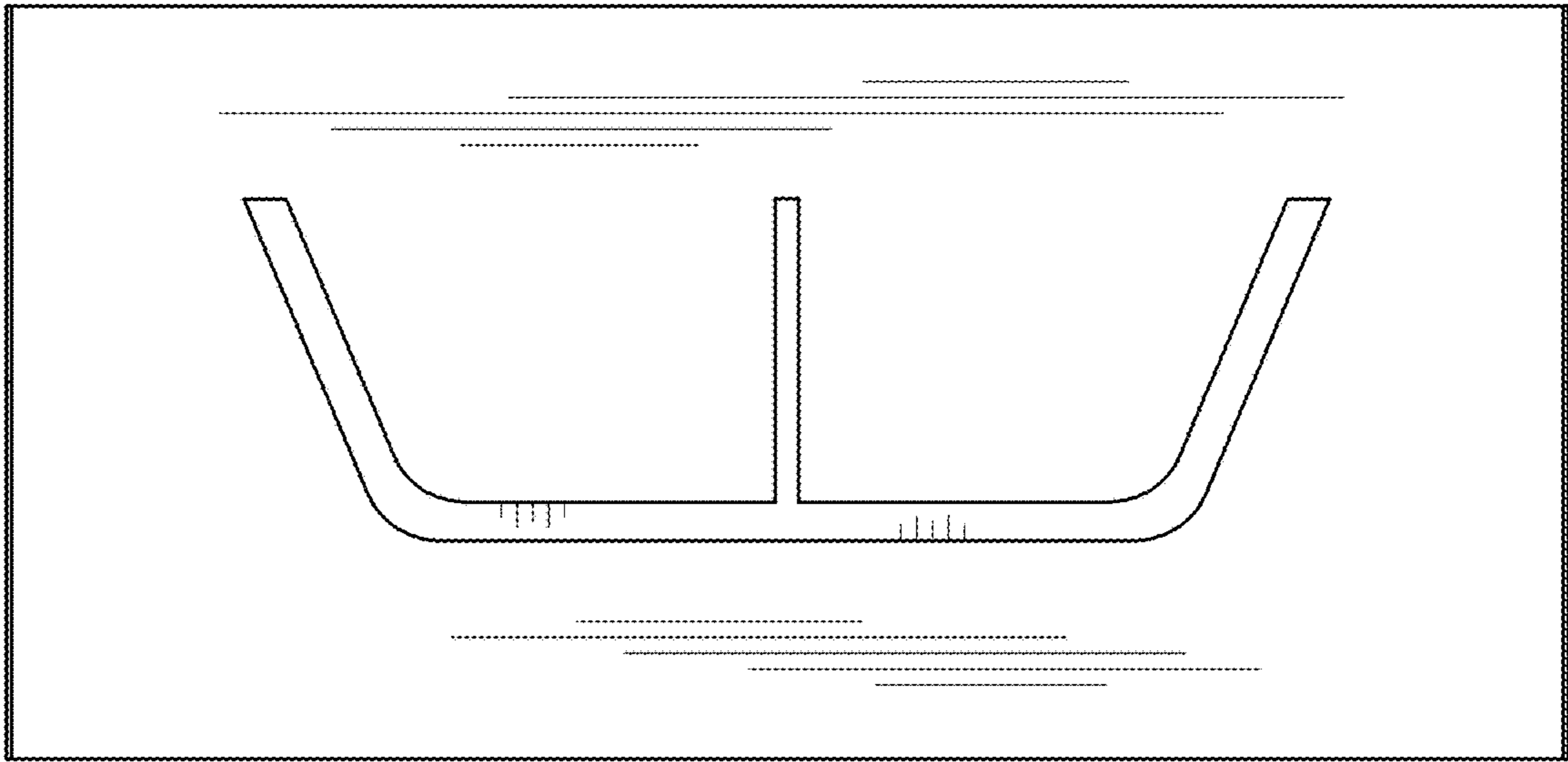


FIG. 10

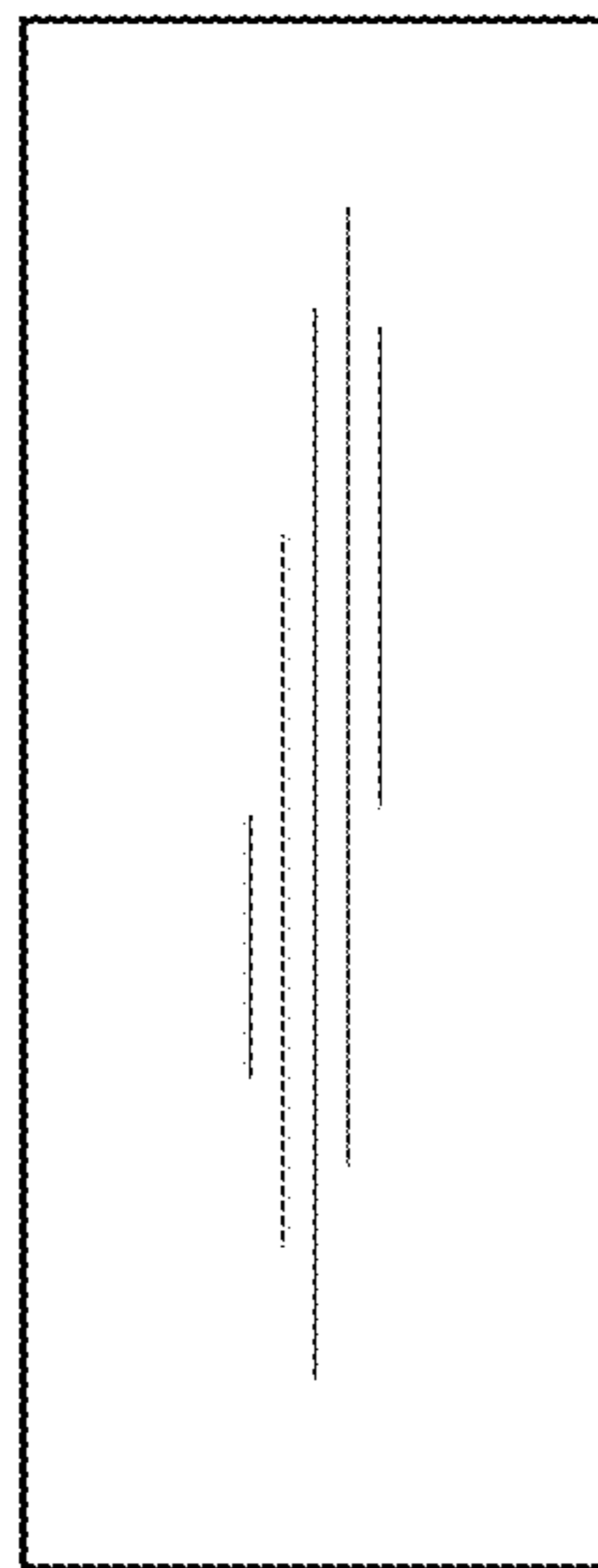


FIG. 11

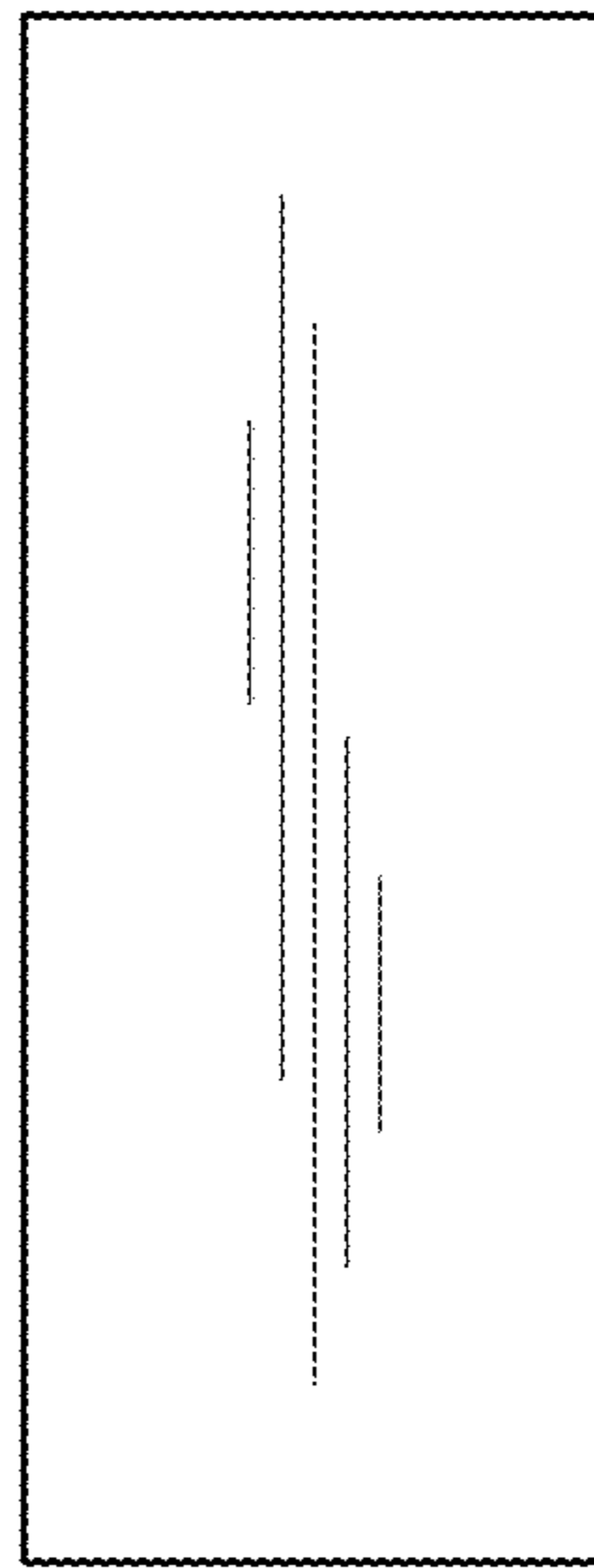


FIG. 12

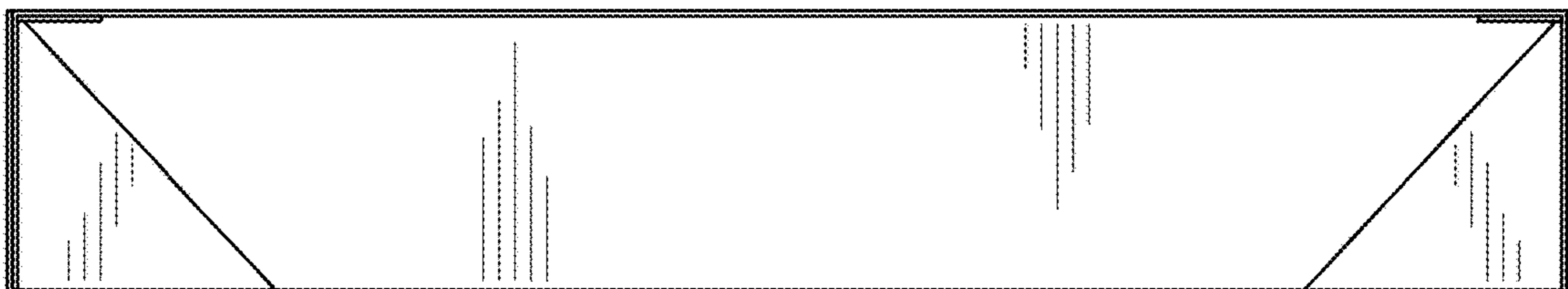


FIG. 13



FIG. 14

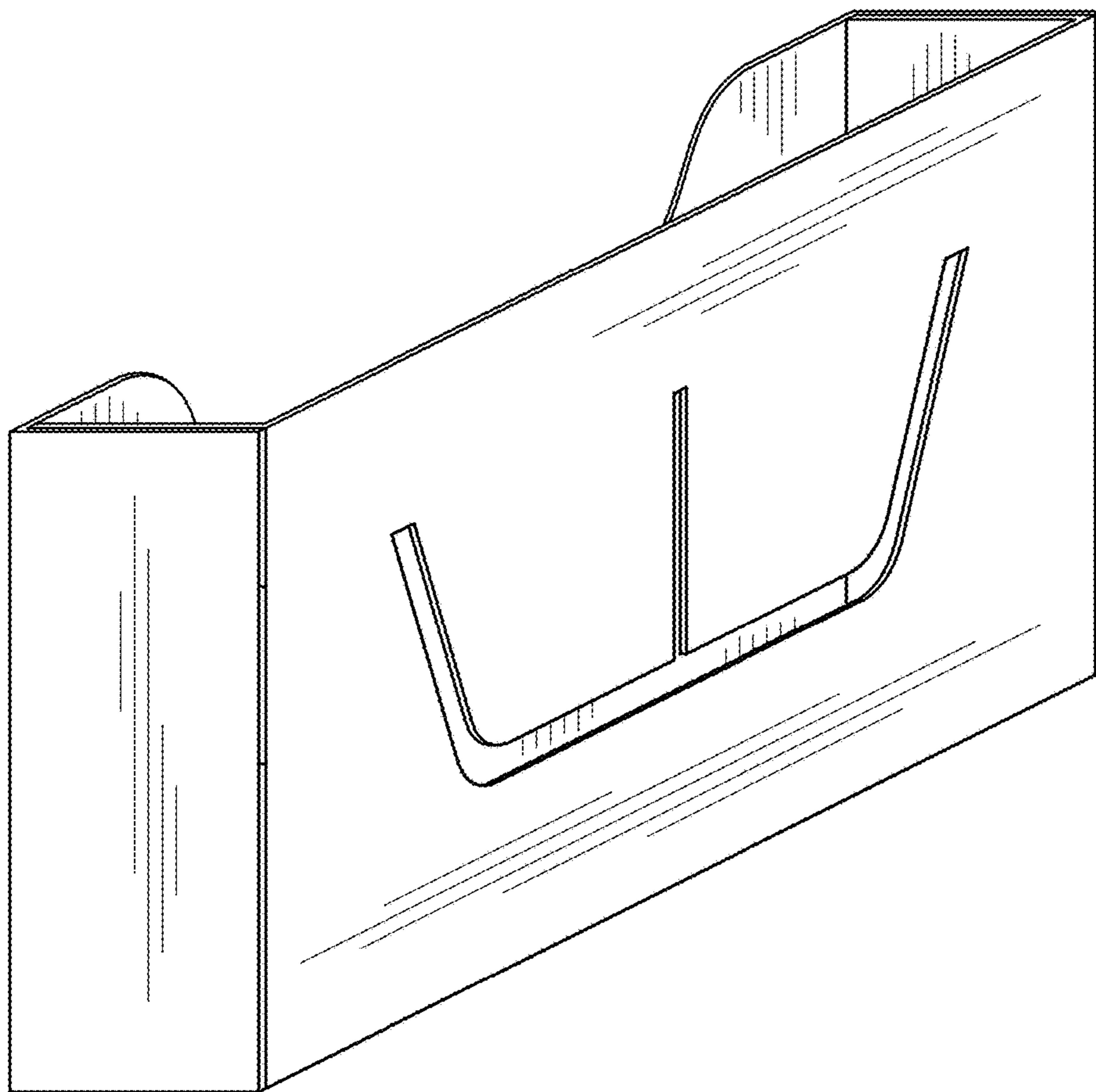


FIG. 15

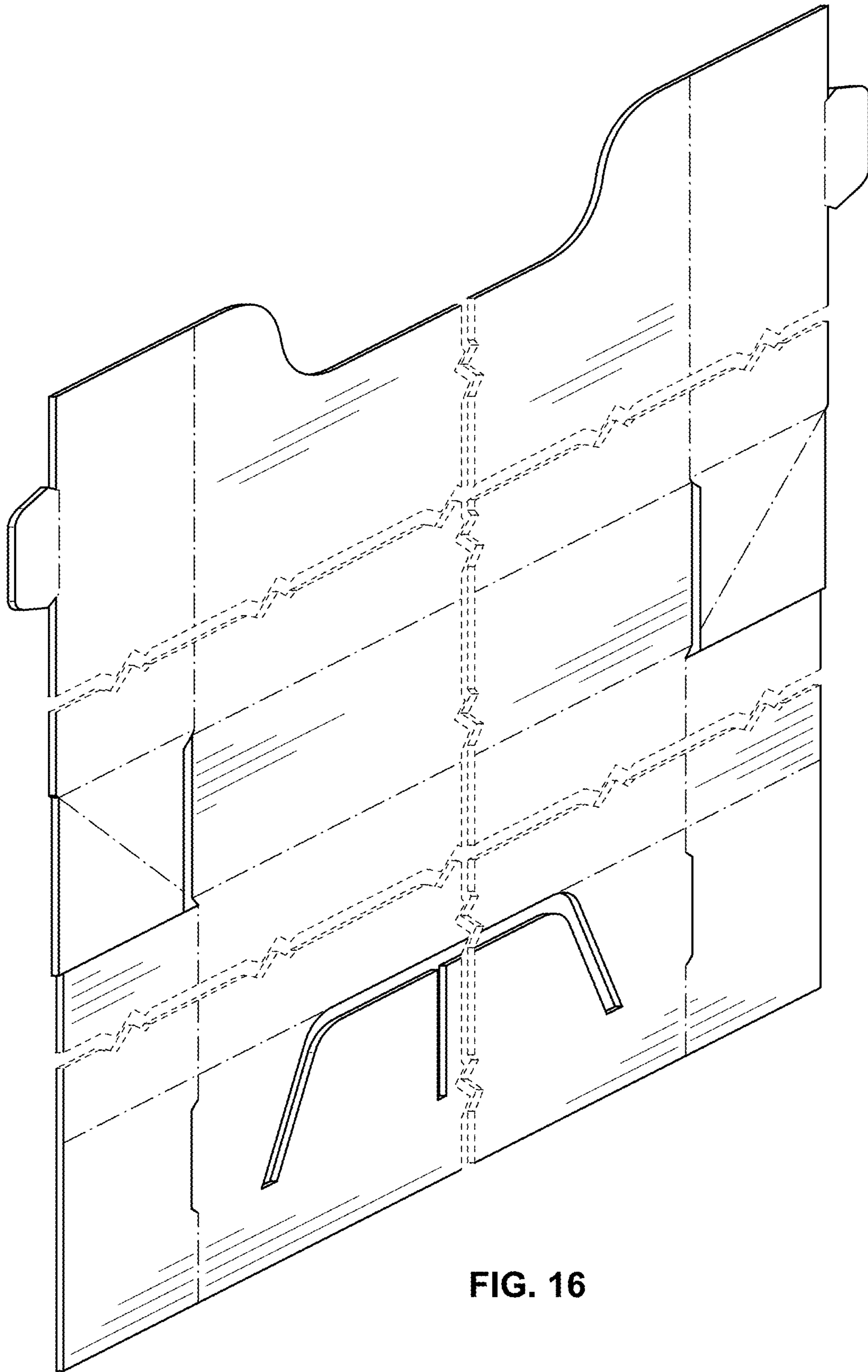


FIG. 16

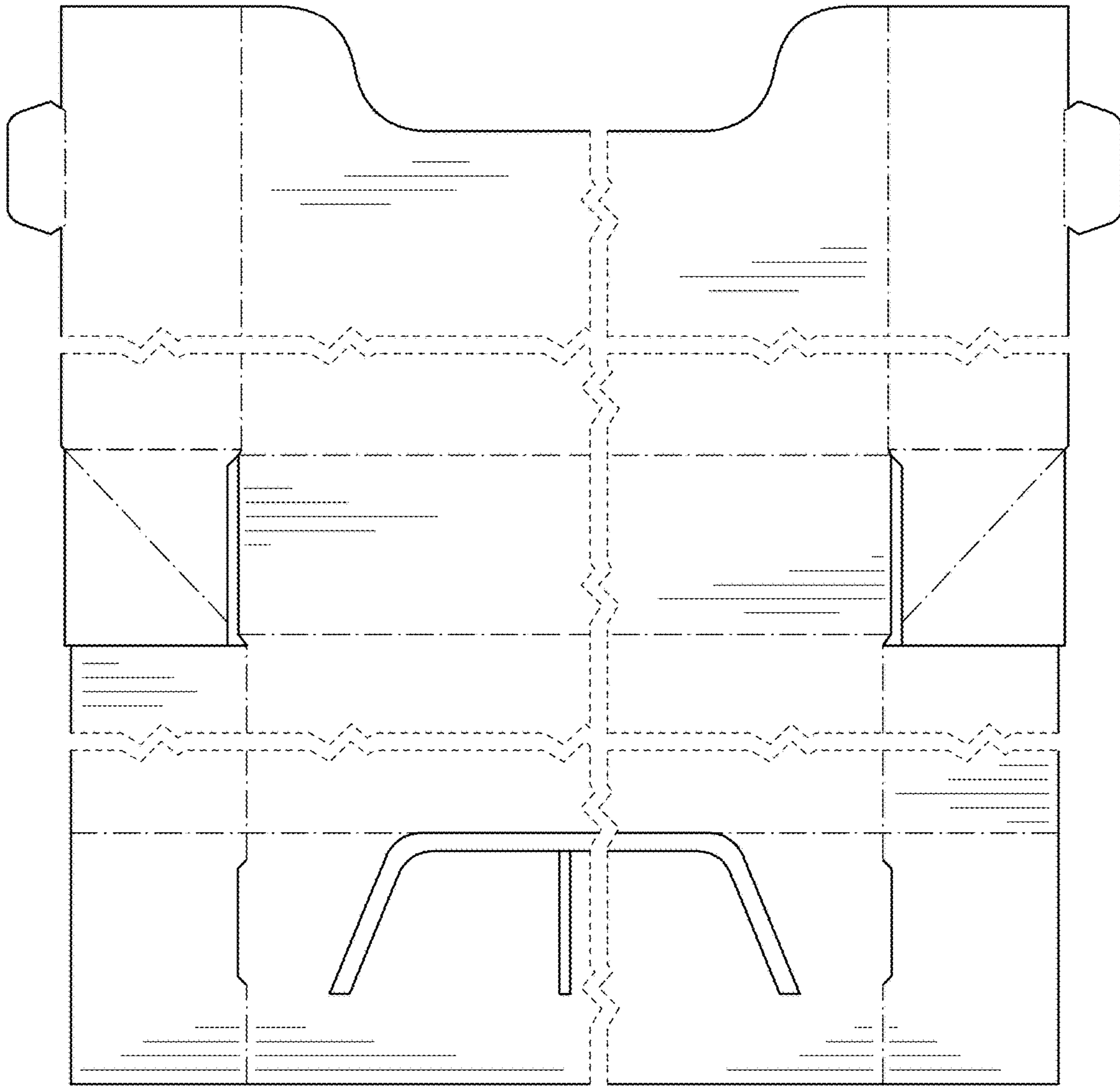


FIG. 17

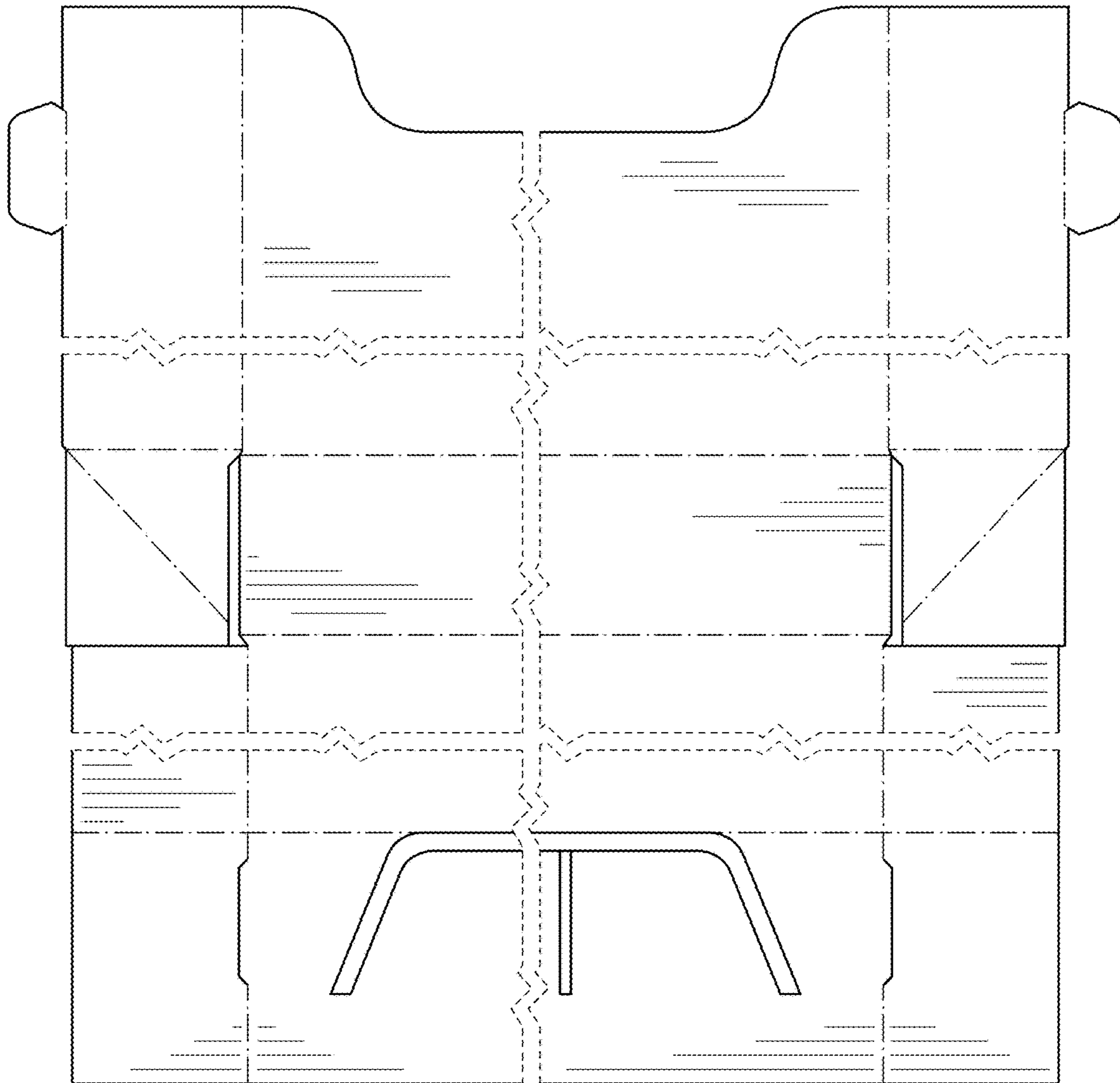


FIG. 18

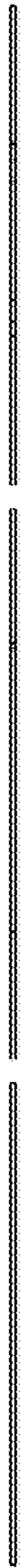


FIG. 19



FIG. 20

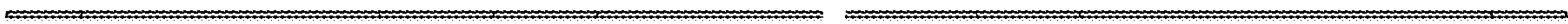


FIG. 21

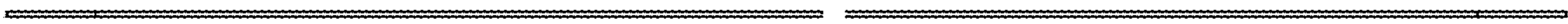


FIG. 22

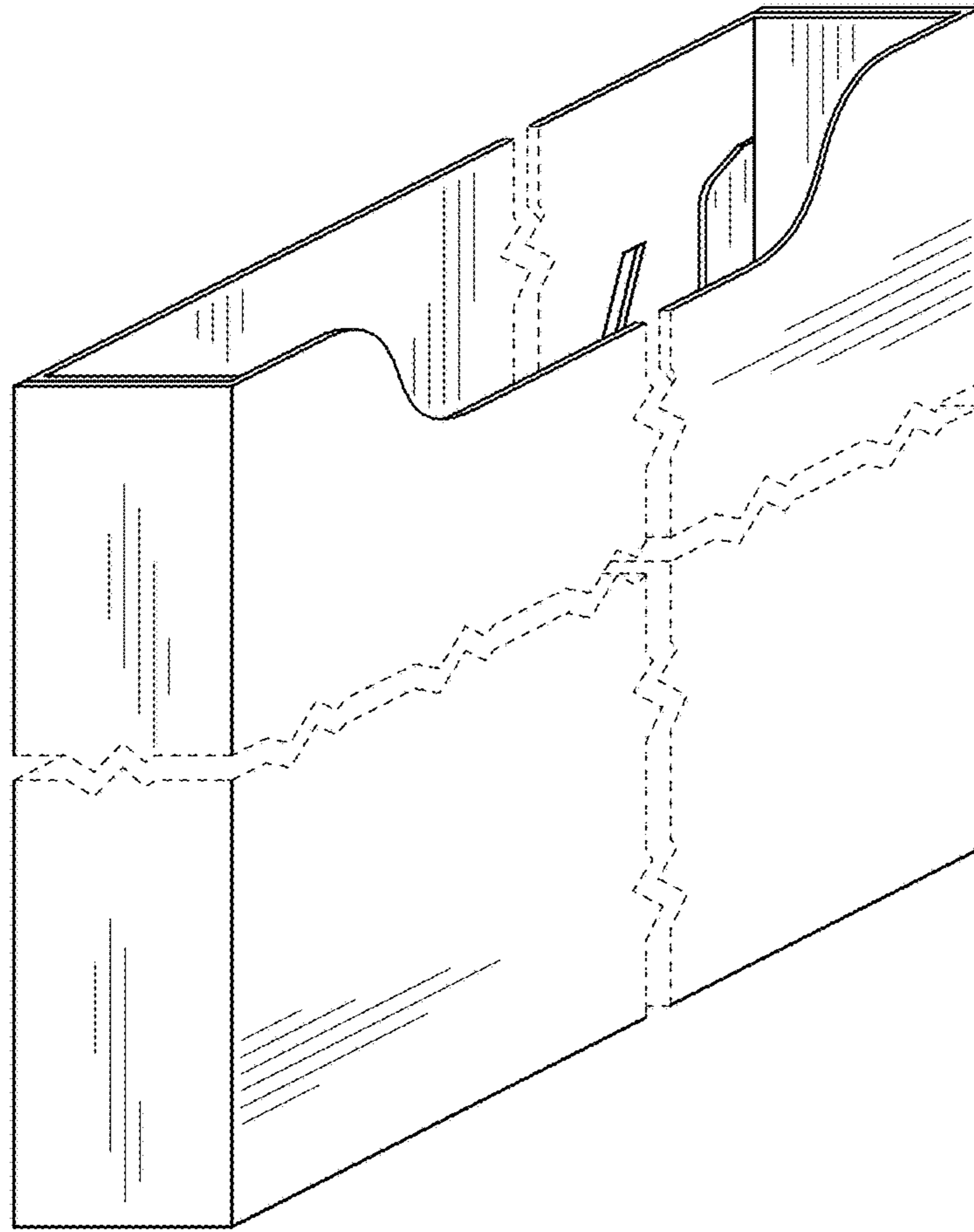


FIG. 23

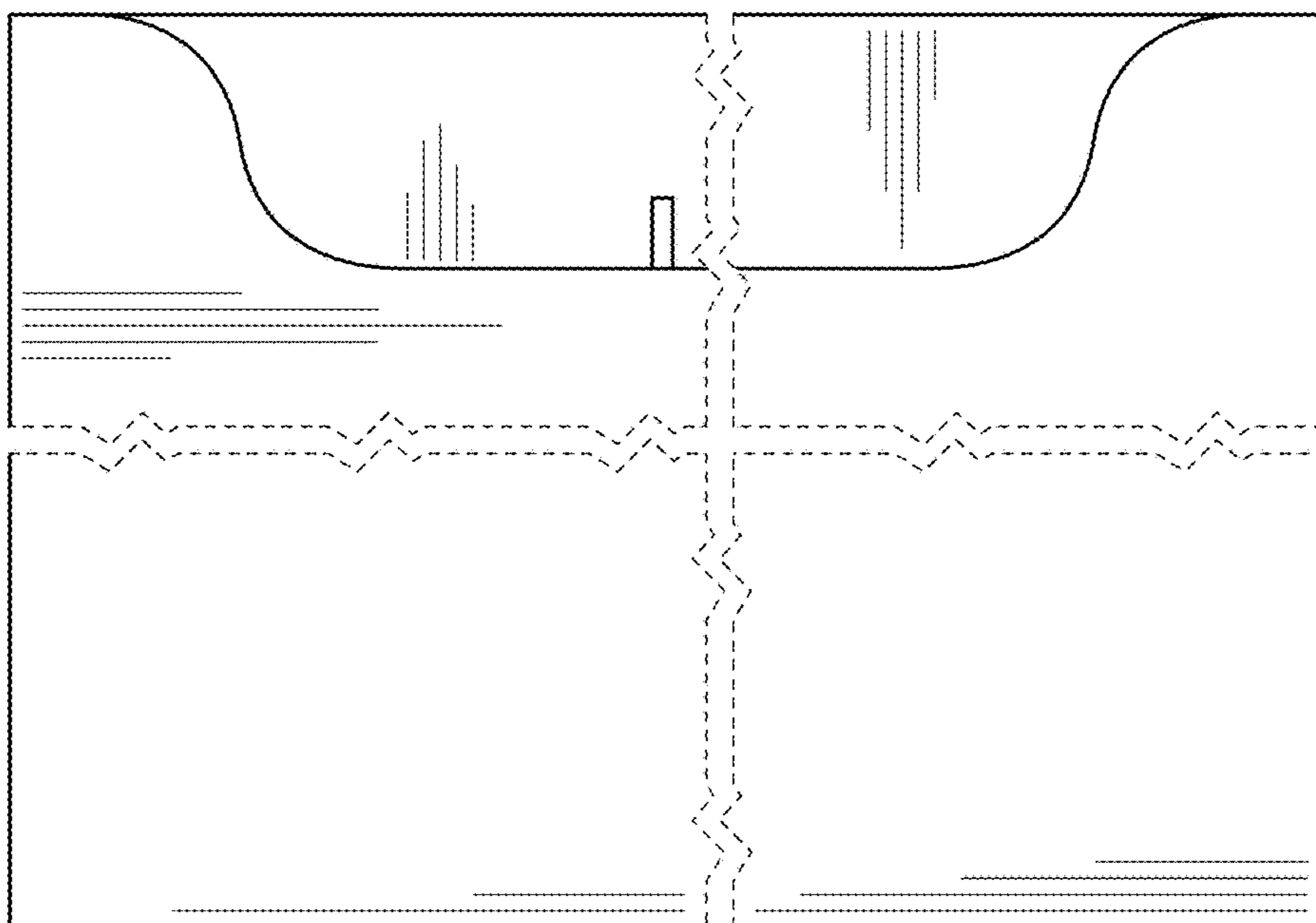


FIG. 24

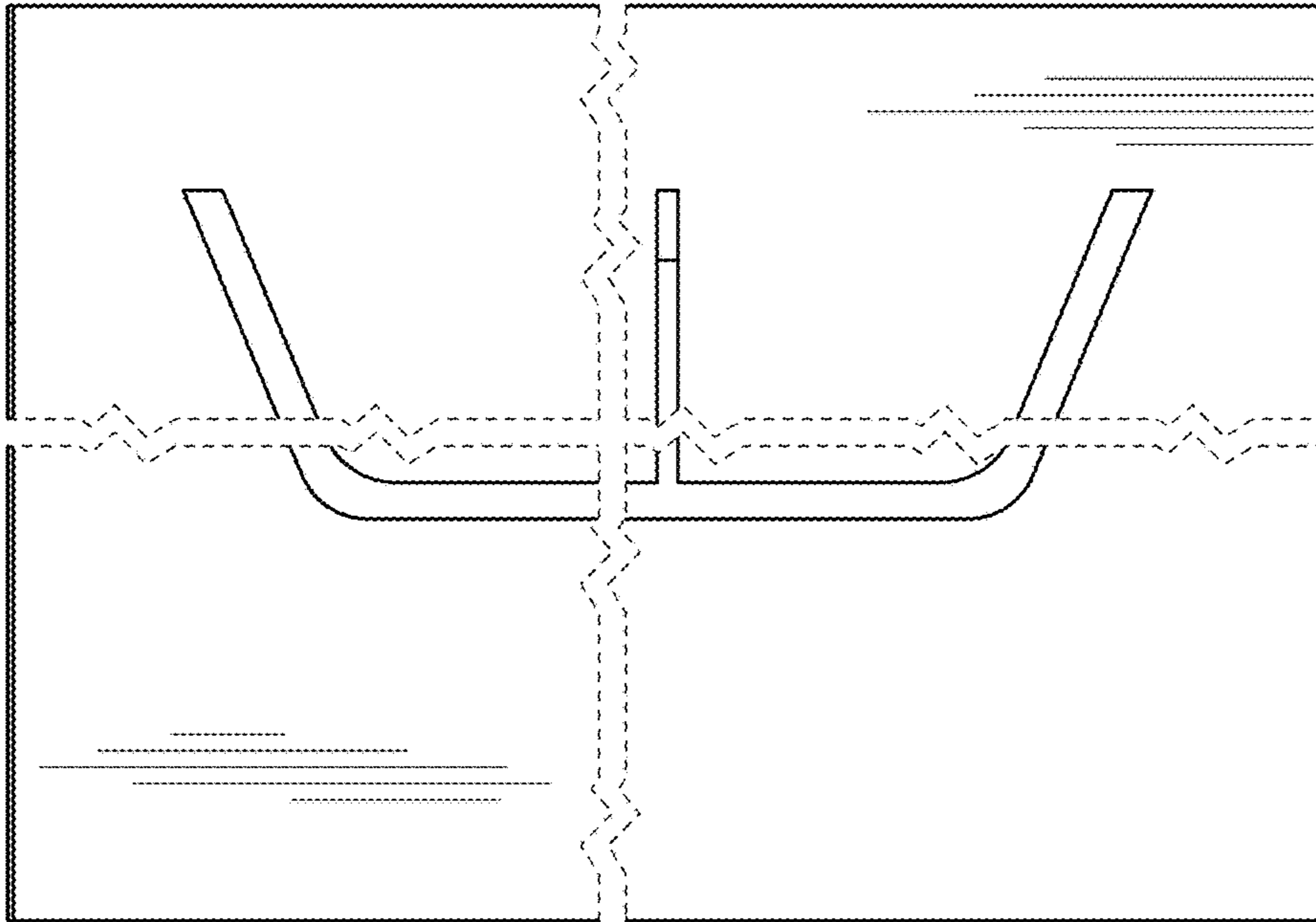


FIG. 25

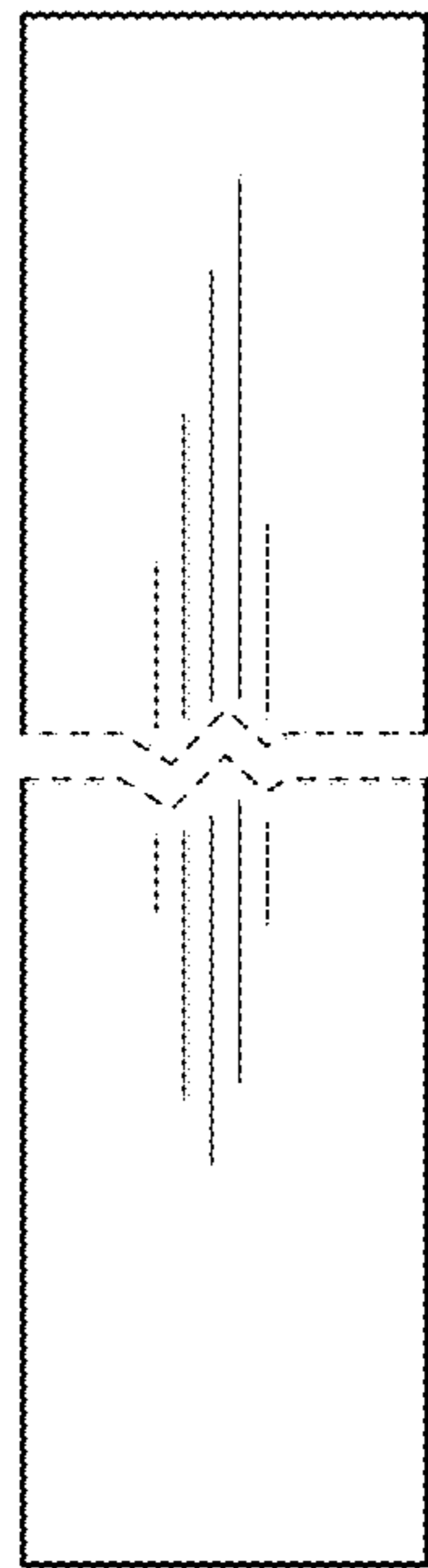


FIG. 26

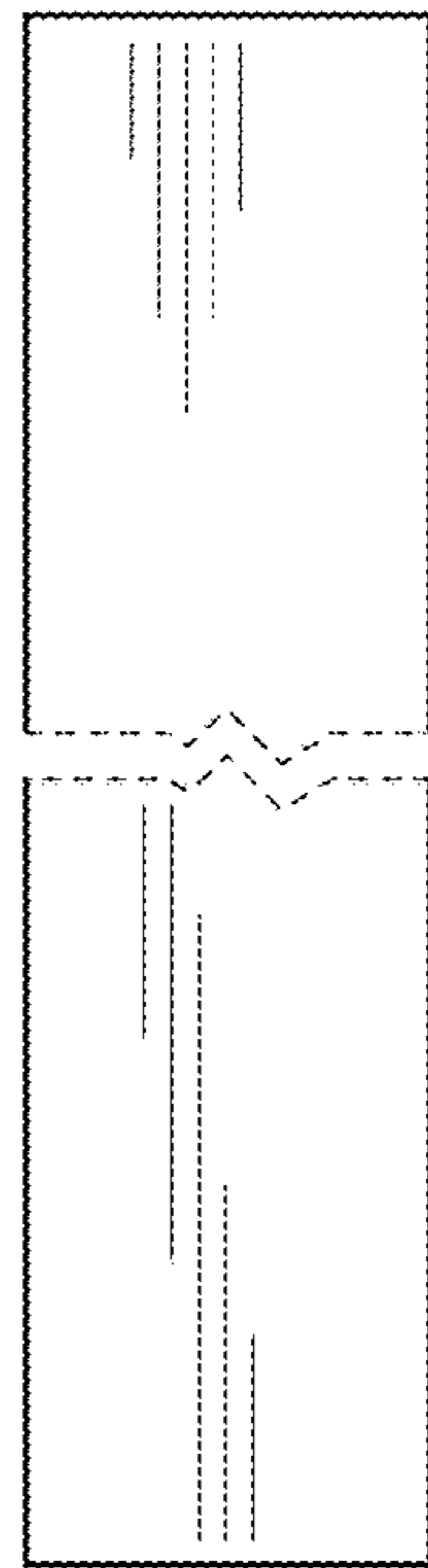


FIG. 27

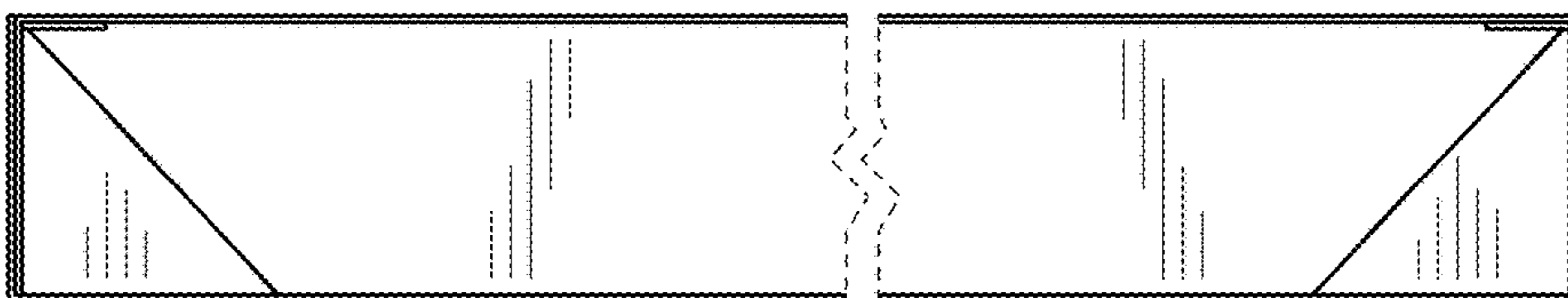


FIG. 28

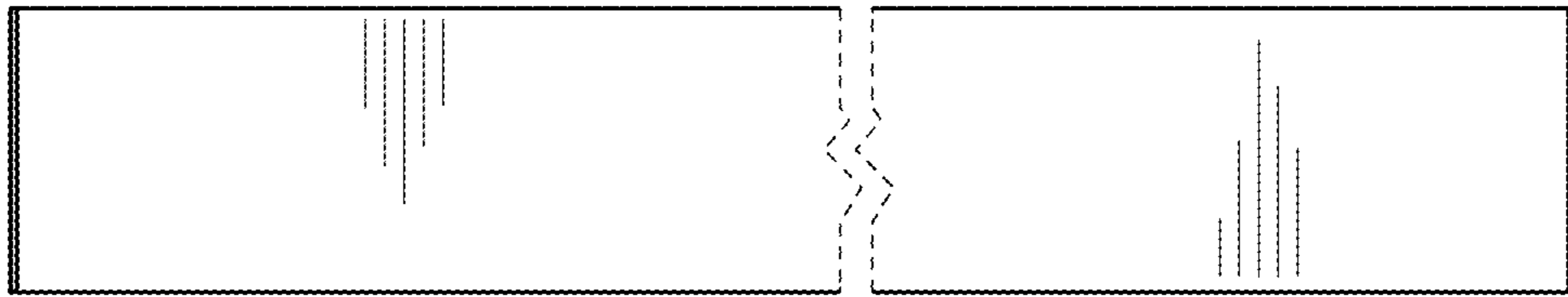


FIG. 29

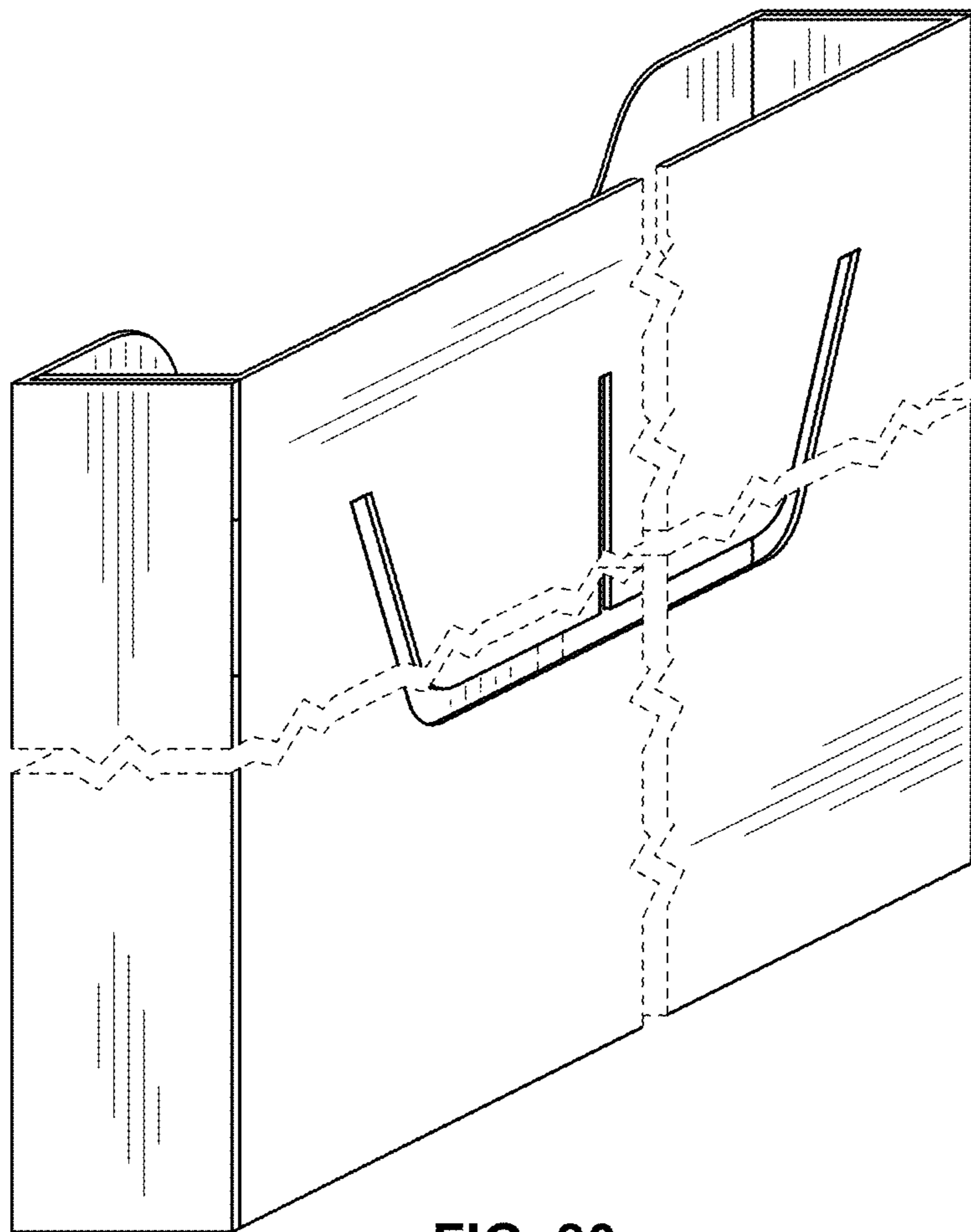


FIG. 30