



US00D794440S

(12) **United States Design Patent**  
**Papafagos et al.**

(10) **Patent No.:** **US D794,440 S**

(45) **Date of Patent:** **\*\* Aug. 15, 2017**

(54) **SINGLE HOLE SWIVEL CLAMP**

FOREIGN PATENT DOCUMENTS

(71) Applicant: **TECTRAN Mfg. Inc.**, Cheektowaga, NY (US)

FR 812252-001 \* 9/1981  
KR 300816601-0000 \* 9/2015

(72) Inventors: **James C. Papafagos**, North Java, NY (US); **Jeffrey D. McKeown**, Banner Elk, NC (US)

OTHER PUBLICATIONS

Tec-Clamp, video date Sep. 22, 2016, <https://www.youtube.com/watch?v=to-njifuRNs>, site visited May 11, 2017.\*

(73) Assignee: **Tectran Mfg. Inc.**, Cheektowaga, NY (US)

*Primary Examiner* — John Windmuller

*Assistant Examiner* — John R Yeh

(\*\*) Term: **15 Years**

(74) *Attorney, Agent, or Firm* — Verrill Dana, LLP;

David C. Robertson

(21) Appl. No.: **29/569,935**

(57) **CLAIM**

We claim the ornamental design for a single hole swivel clamp, as shown and described.

(22) Filed: **Jul. 1, 2016**

**DESCRIPTION**

(51) **LOC (10) Cl.** ..... **08-08**

(52) **U.S. Cl.**

USPC ..... **D8/396**

(58) **Field of Classification Search**

USPC ..... D8/382, 384–386, 394–396, 71–74, 499, D8/354–355; D23/361, 363, 366–369; D14/447

CPC ..... F16B 19/00; F16B 19/1081; F16B 19/08; F16B 19/008; F16B 21/075; F16L 3/127; F16L 3/13

See application file for complete search history.

FIG. 1 is a perspective view of a single hole swivel clamp depicting, in part, the new, original and ornamental design thereof.

FIG. 2 is a perspective view of the single hole swivel clamp showing the underside thereof.

FIG. 3 is a right side elevation view of the single hole swivel clamp of FIG. 1.

FIG. 4 is a left side elevation view of the single hole swivel clamp of FIG. 1.

FIG. 5 is a front elevation view of the single hole swivel clamp of FIG. 1.

FIG. 6 is a rear elevation view of the single hole swivel clamp of FIG. 1.

FIG. 7 is a top plan view of the single hole swivel clamp of FIG. 1; and,

FIG. 8 is a bottom plan view of the single hole swivel clamp of FIG. 1.

The broken lines in the drawing figures depict environmental structure or portions of the single hole swivel clamp for illustrative purposes only, and form no part of the claimed design.

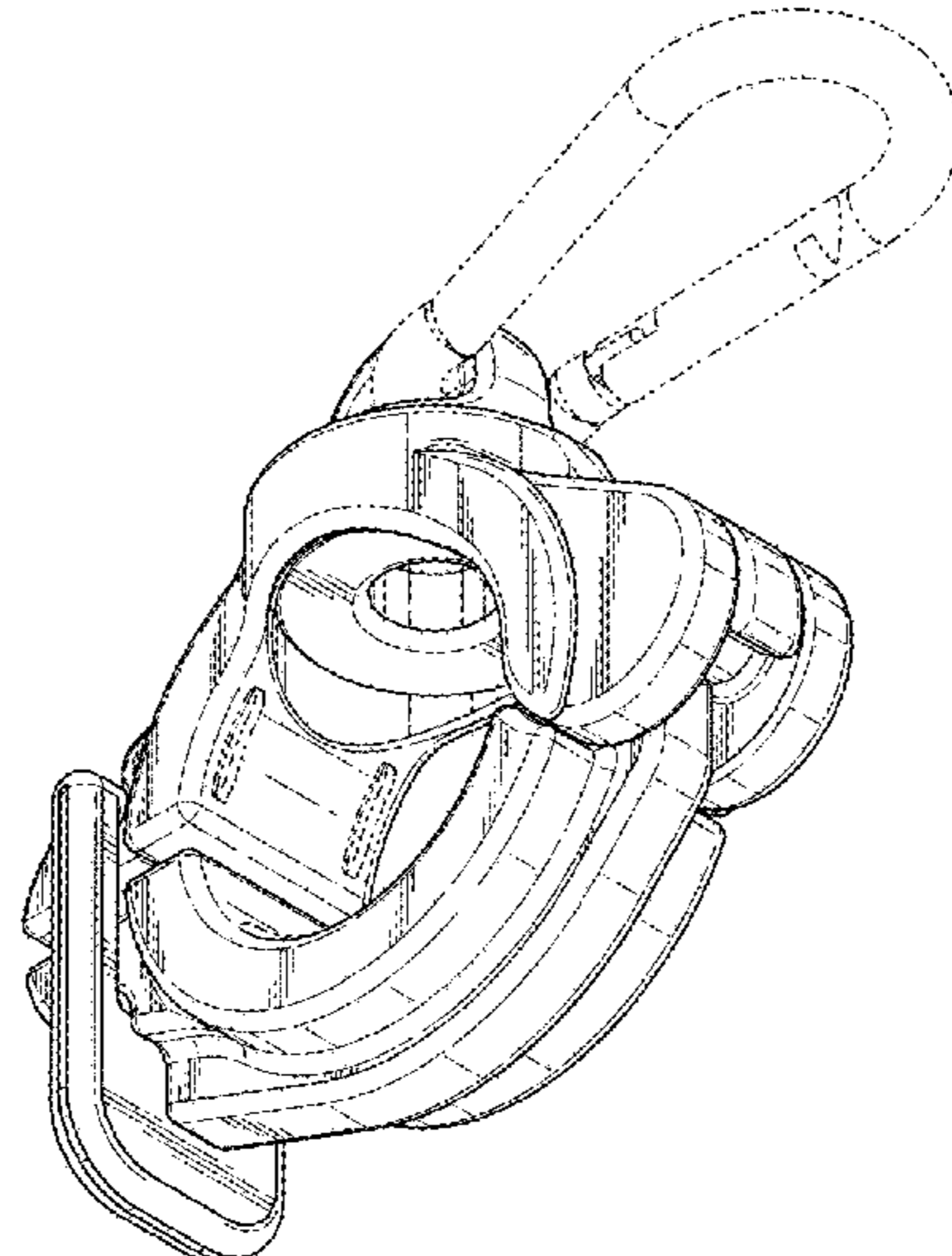
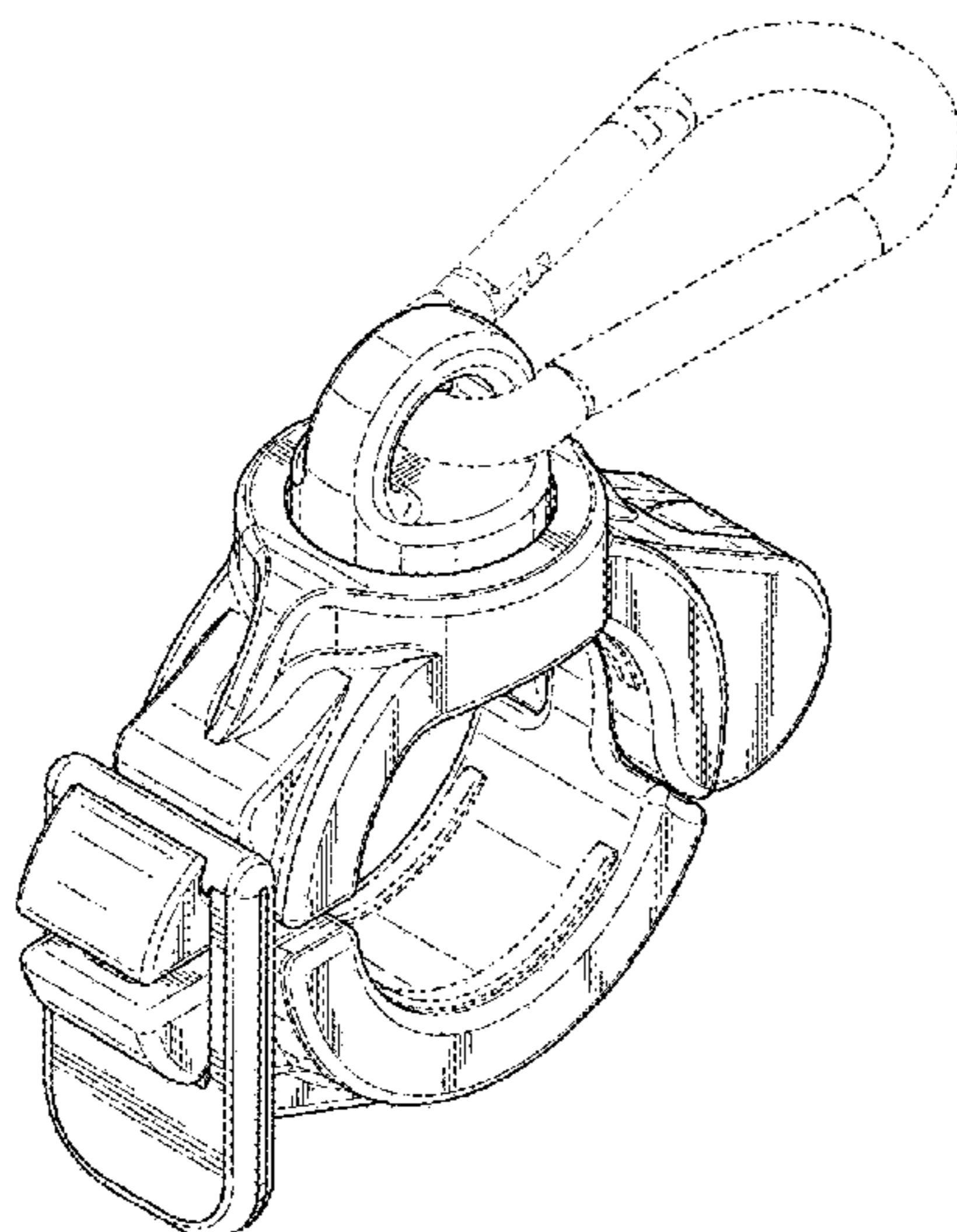
(56) **References Cited**

U.S. PATENT DOCUMENTS

|              |         |           |       |            |
|--------------|---------|-----------|-------|------------|
| D142,057 S * | 8/1945  | Baxter    | ..... | D23/265    |
| D376,974 S * | 12/1996 | Chen      | ..... | 24/274 WB  |
| D438,783 S * | 3/2001  | Elliott   | ..... | F16L 23/10 |
|              |         |           |       | D8/396     |
| D536,607 S * | 2/2007  | Bekkevold | ..... | D8/396     |
| D539,639 S * | 4/2007  | Nagle     | ..... | D8/396     |
| D540,158 S * | 4/2007  | Smith     | ..... | D8/396     |
| D562,677 S * | 2/2008  | Farber    | ..... | D8/380     |
| D577,423 S * | 9/2008  | Dole      | ..... | D23/265    |

(Continued)

**1 Claim, 6 Drawing Sheets**



(56)

**References Cited**

U.S. PATENT DOCUMENTS

|              |      |         |             |       |                        |
|--------------|------|---------|-------------|-------|------------------------|
| D598,076     | S *  | 8/2009  | Dole        | ..... | D23/262                |
| D661,981     | S *  | 6/2012  | Melino, Sr. | ..... | D8/396                 |
| D672,229     | S *  | 12/2012 | Reid        | ..... | D8/396                 |
| D700,835     | S *  | 3/2014  | Langlois    | ..... | D8/396                 |
| D708,053     | S *  | 7/2014  | Marini      | ..... | D24/127                |
| D711,730     | S *  | 8/2014  | McKiernan   | ..... | D8/396                 |
| D711,731     | S *  | 8/2014  | Sugiura     | ..... | D17/22                 |
| D721,950     | S *  | 2/2015  | Quinlan     | ..... | D8/396                 |
| D758,177     | S *  | 6/2016  | Riccione    | ..... | D8/396                 |
| 2002/0109355 | A1 * | 8/2002  | Elliott     | ..... | F16L 23/10<br>285/410  |
| 2005/0205722 | A1 * | 9/2005  | Krueger     | ..... | F16L 3/11<br>248/62    |
| 2007/0138351 | A1 * | 6/2007  | Wu          | ..... | F16L 23/06<br>248/74.2 |
| 2013/0249212 | A1 * | 9/2013  | McKiernan   | ..... | F16L 23/10<br>285/407  |

\* cited by examiner

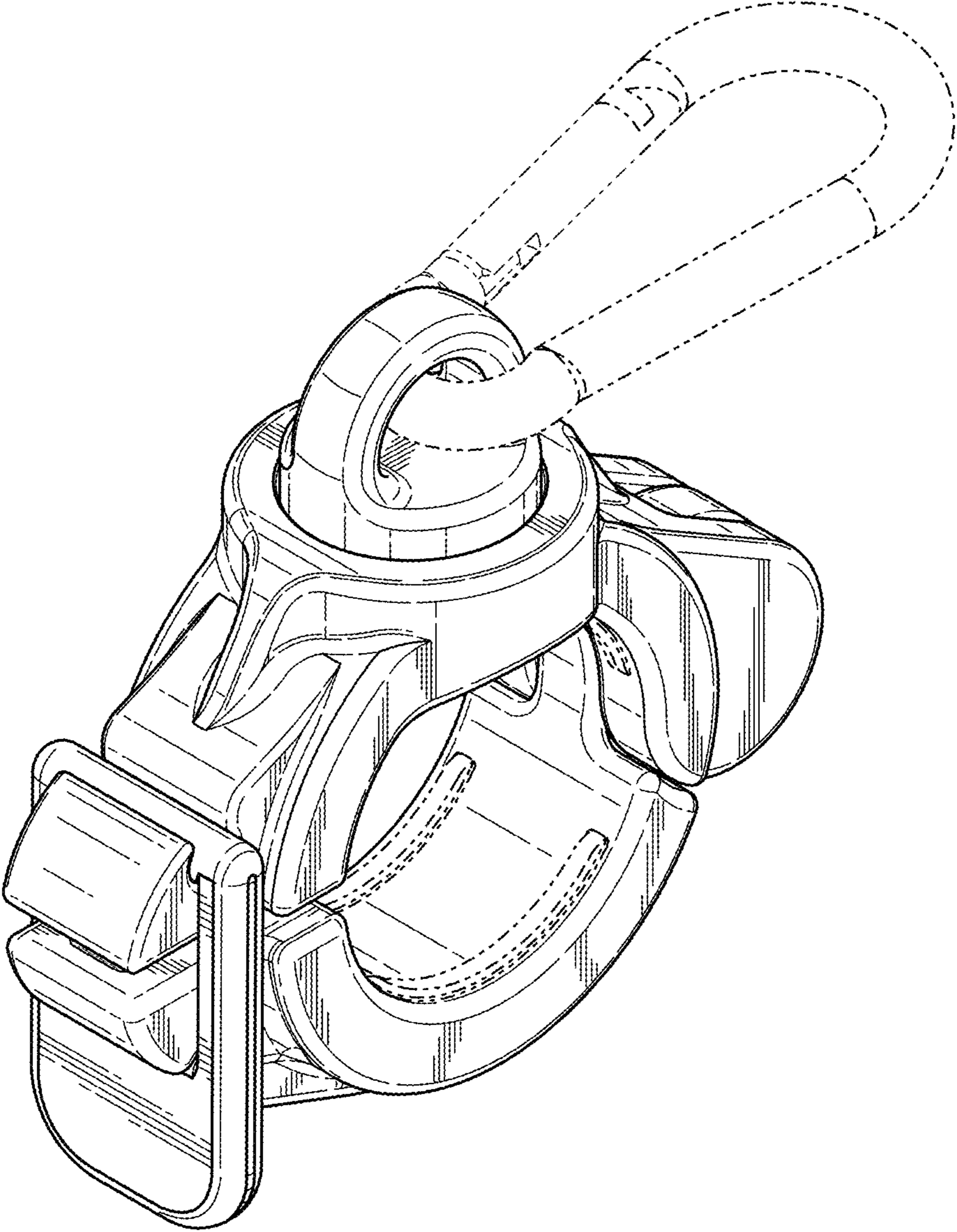


FIG. 1

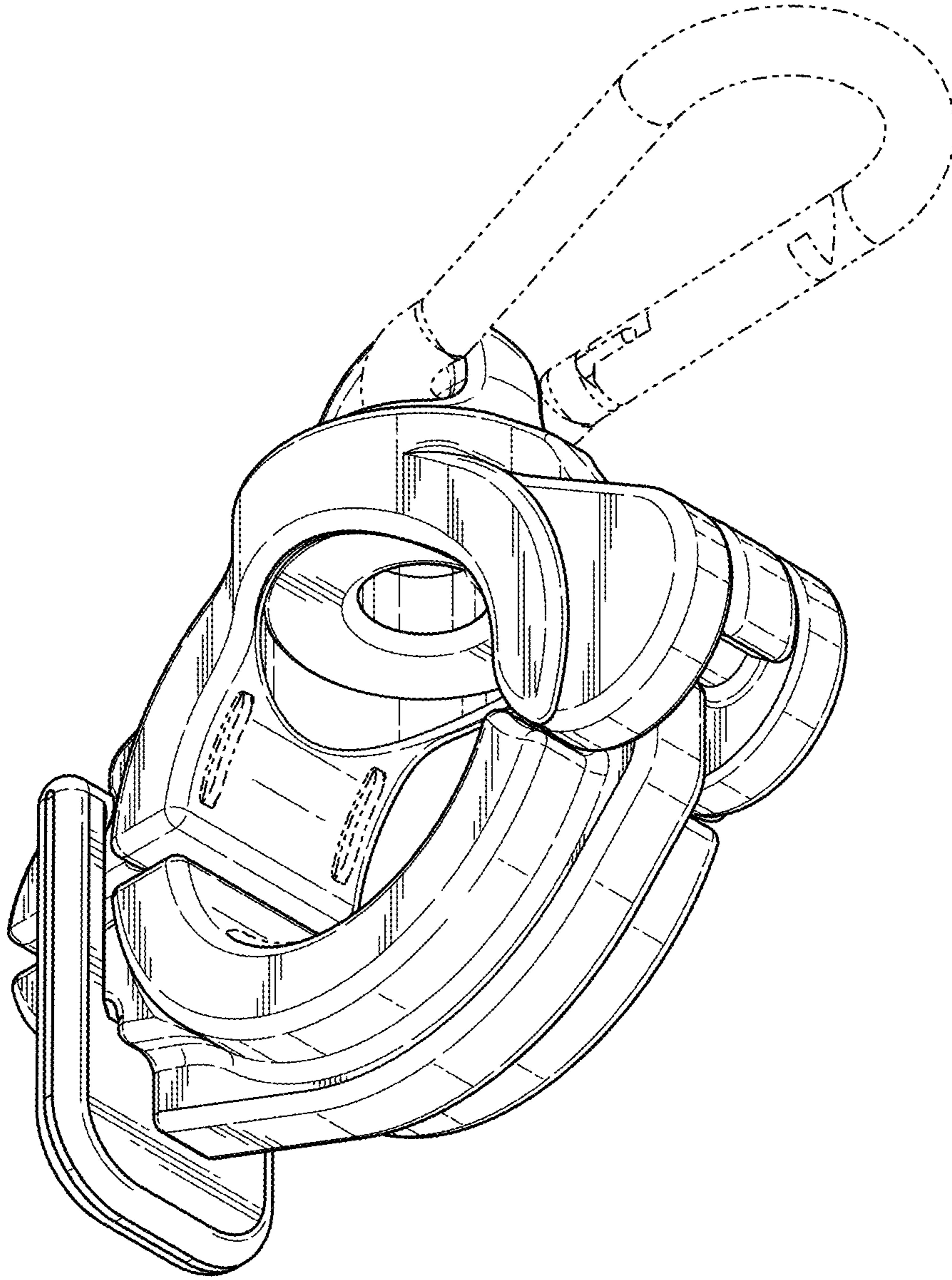


FIG. 2

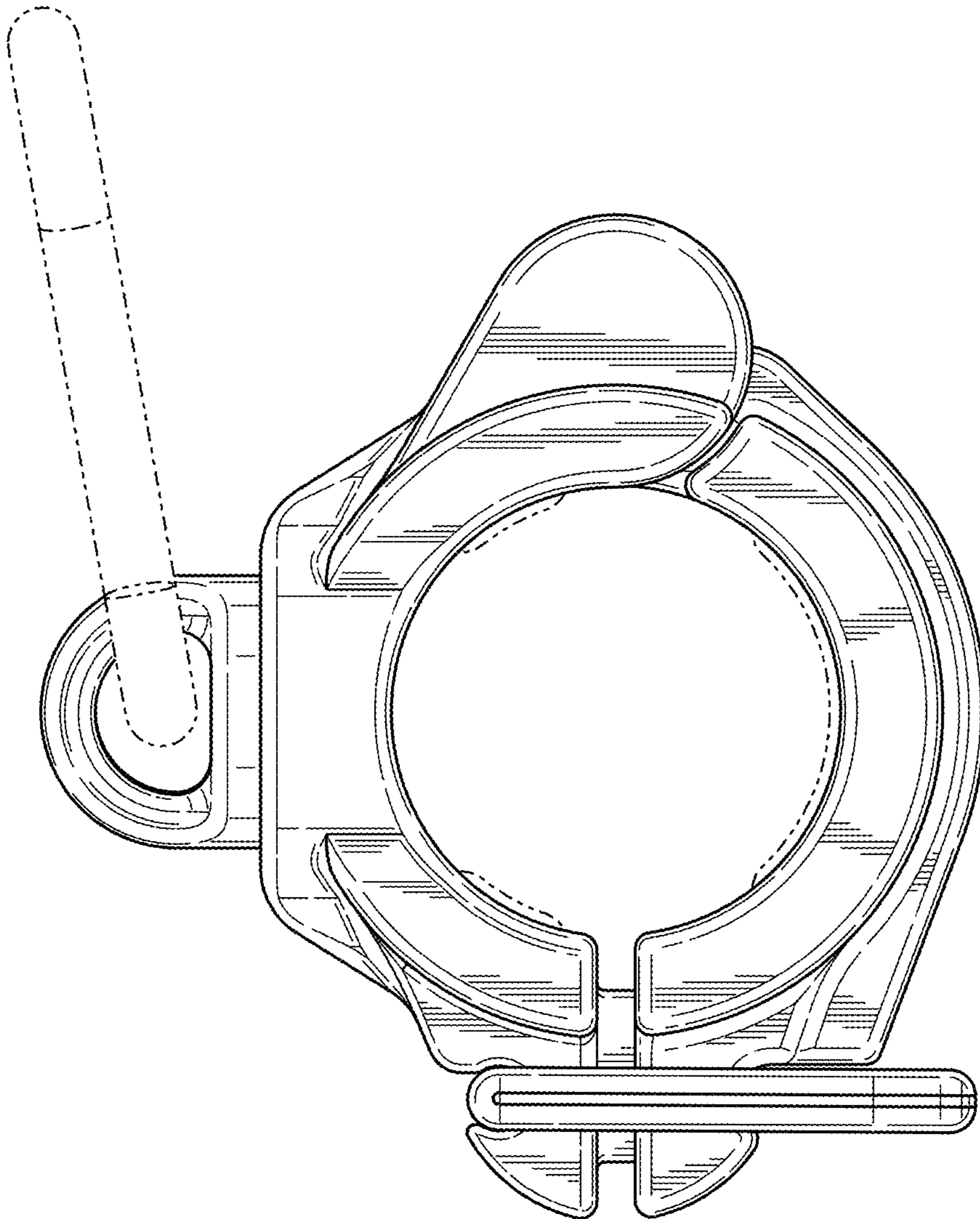


FIG. 3

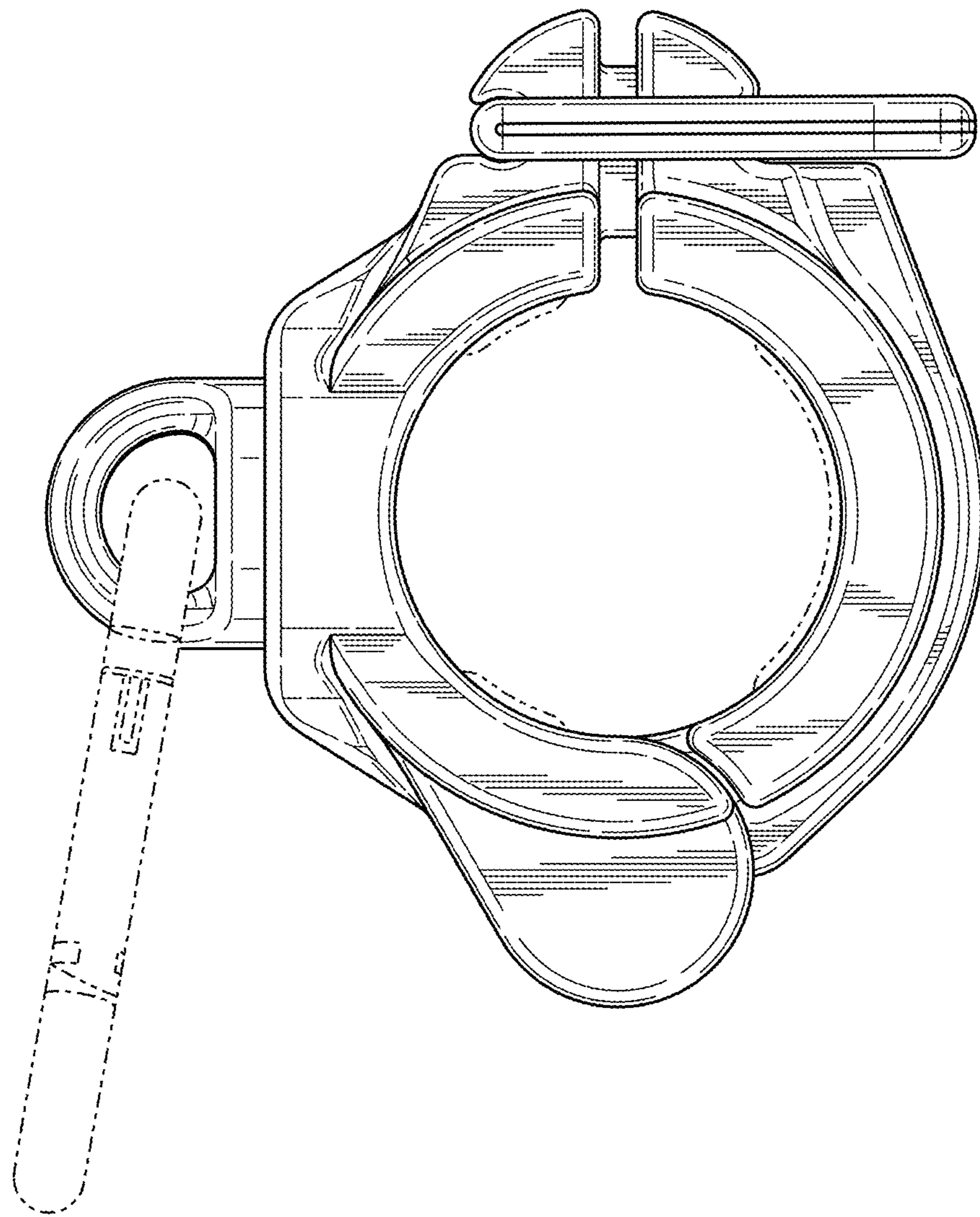


FIG. 4

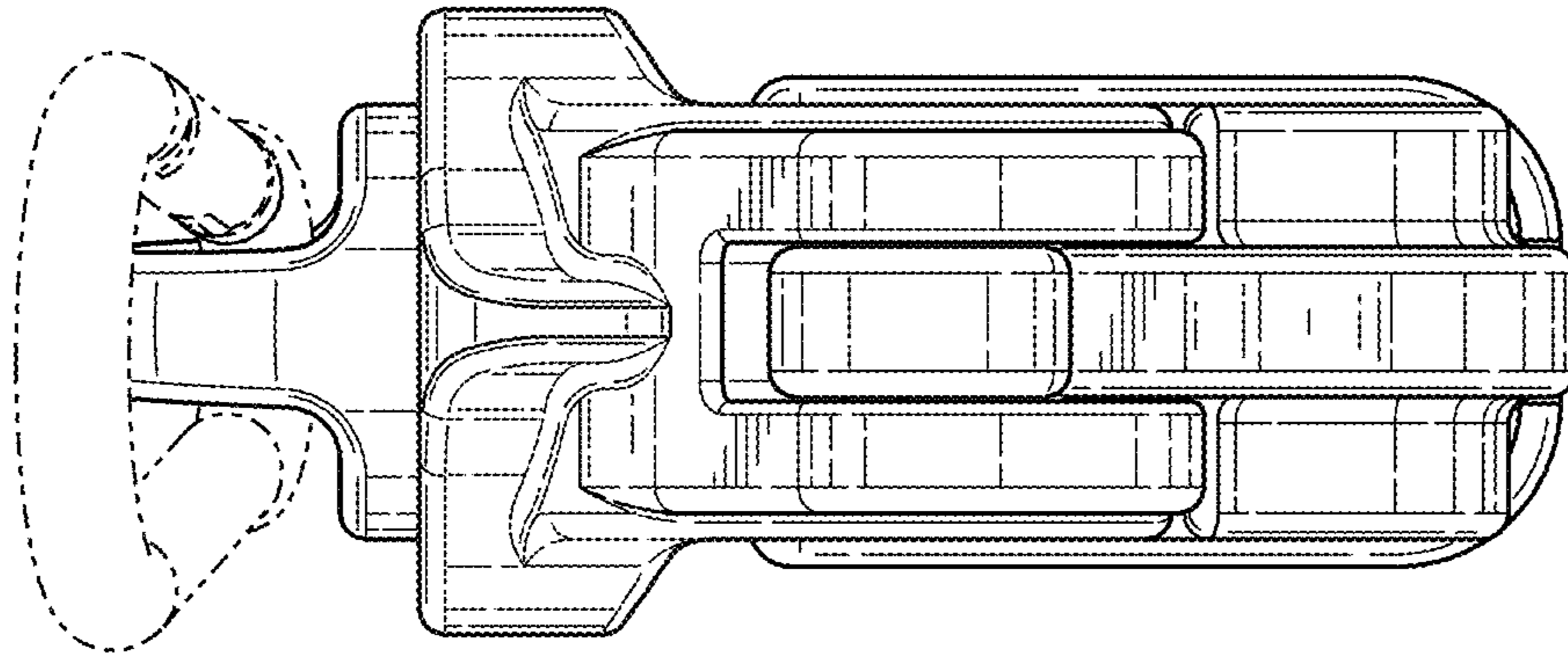


FIG. 5

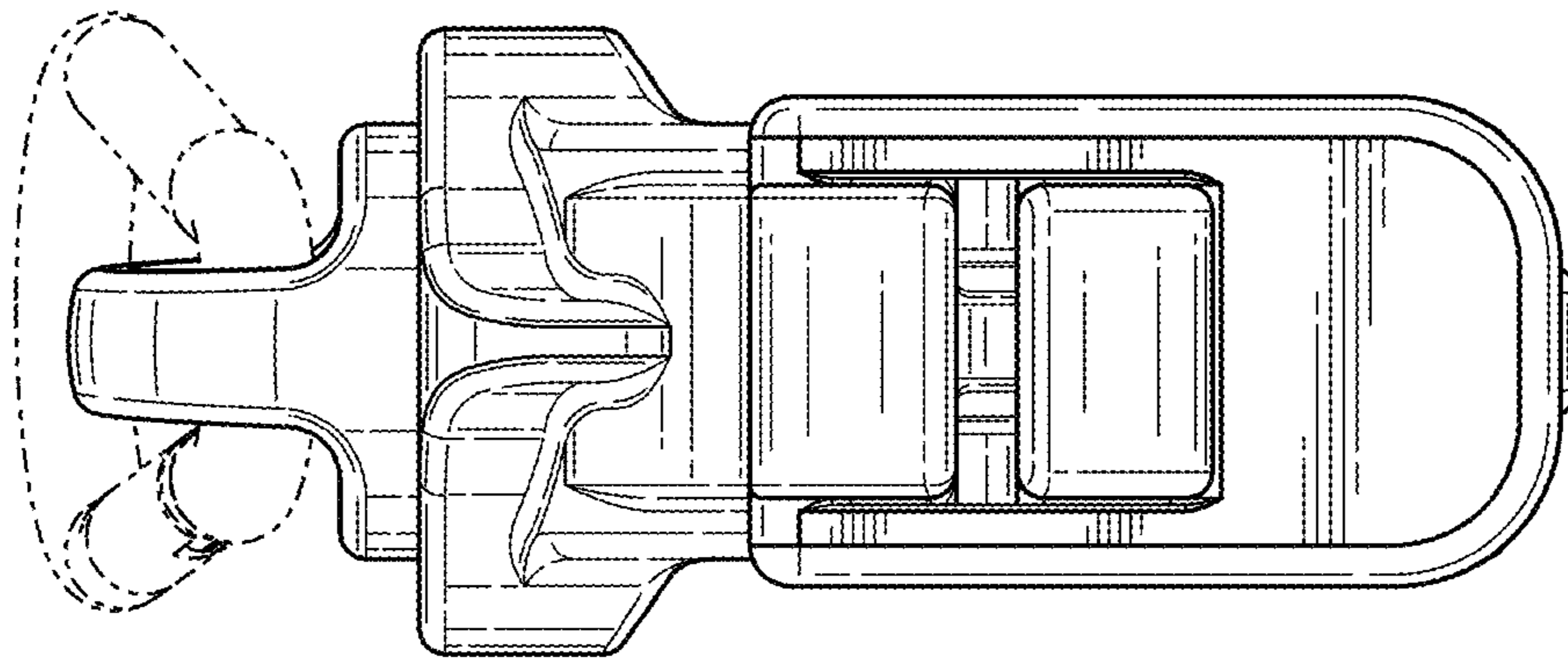


FIG. 6

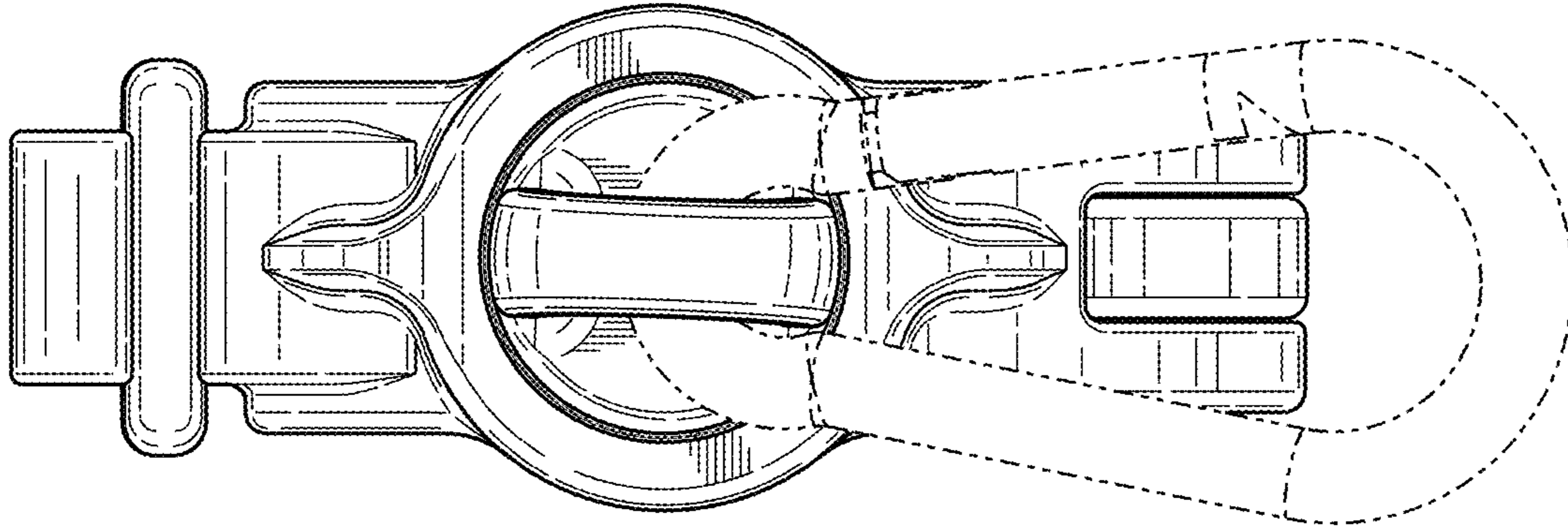


FIG. 7

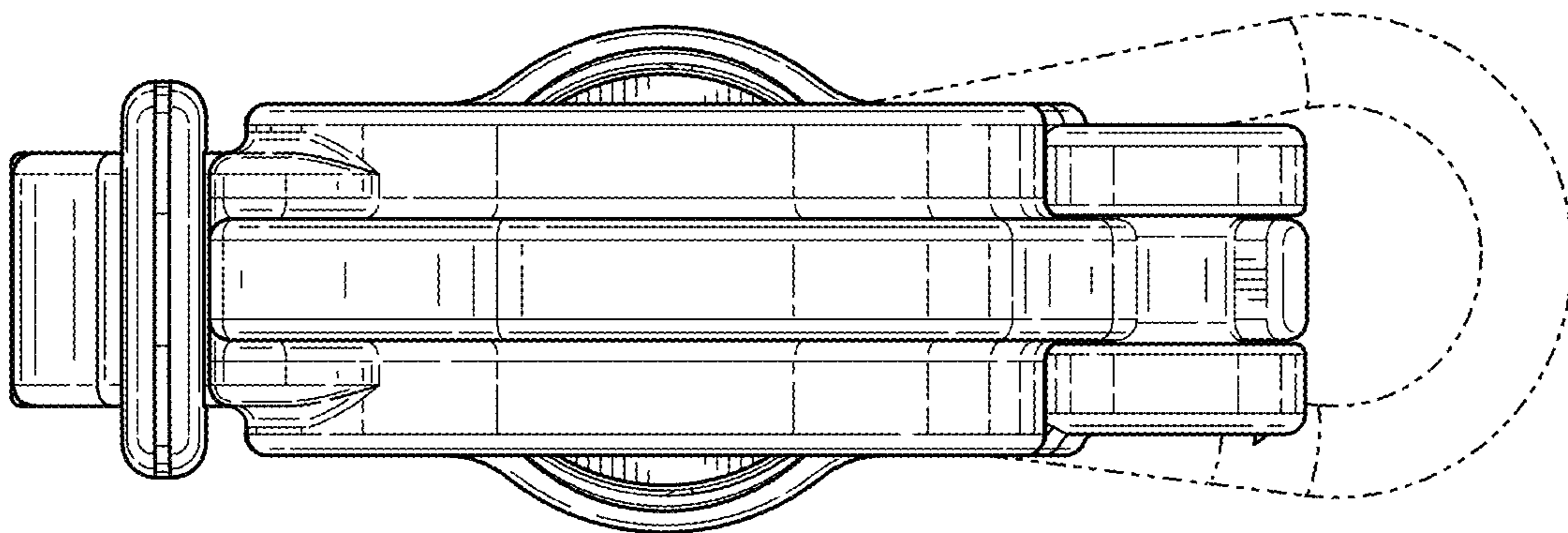


FIG. 8