

US00D794439S

(12) **United States Design Patent** (10) **Patent No.:** **US D794,439 S**  
**Papafagos et al.** (45) **Date of Patent:** **\*\* Aug. 15, 2017**

- (54) **SINGLE HOLE CLAMP**
- (71) Applicant: **TECTRAN Mfg. Inc.**, Cheektowaga, NY (US)
- (72) Inventors: **James C. Papafagos**, North Java, NY (US); **Jeffrey D. McKeown**, Banner Elk, NC (US)
- (73) Assignee: **Tectran Mfg. Inc.**, Cheektowaga, NY (US)
- (\*\*) Term: **15 Years**
- (21) Appl. No.: **29/533,331**
- (22) Filed: **Jul. 16, 2015**
- (51) **LOC (10) Cl.** ..... **08-08**
- (52) **U.S. Cl.**  
USPC ..... **D8/396**
- (58) **Field of Classification Search**  
USPC .... D8/27, 28, 29, 394, 395, 396, 71, 72, 73, D8/74, 499, 354, 355, 349; 297/215.14; 24/279, 276; 285/252, 253, 410; 29/890; D23/265; D24/127  
CPC .... F16B 2/065; F16B 2/06; F16B 2/12; F16B 2/185; F16B 2/10; F16B 1/00; F16B 2/005; F16B 2/18; F16B 2001/0035; F16B 2001/0064; F16B 2/00; F16B 2/02; F16B 2/08; F16B 2/243; F16B 5/065; F16B 7/0426; F16M 13/02; F16M 13/022; F16M 11/00; A63B 29/02; A63B 2009/004; A63B 2208/12; A63B 9/00  
See application file for complete search history.

- 4,024,604 A 5/1977 Klimek
- 4,148,113 A 4/1979 Dvorachek
- 4,244,544 A 1/1981 Kornat
- D269,851 S 7/1983 Kimura
- 4,550,891 A 11/1985 Schäty
- 4,769,876 A 9/1988 Platt
- 5,027,478 A 7/1991 Suhr
- 5,209,441 A 5/1993 Satoh

(Continued)

**OTHER PUBLICATIONS**

Tectran TEC-Clamp Product Details Sheet [online]. Tectran, 2013 [retrieved on Jul. 8, 2015]. Retrieved from the Internet: <URL: [http://www.tectran.com/catalog.asp?main=general&sub1=clamps\\_clips&sub2=&product=tec\\_clamp](http://www.tectran.com/catalog.asp?main=general&sub1=clamps_clips&sub2=&product=tec_clamp)>.

*Primary Examiner* — Cynthia Ramirez  
*Assistant Examiner* — Michael Maharajh  
(74) *Attorney, Agent, or Firm* — Verrill Dana, LLP; David C. Robertson

(57) **CLAIM**

We claim the ornamental design for a single hole clamp, as shown and described.

**DESCRIPTION**

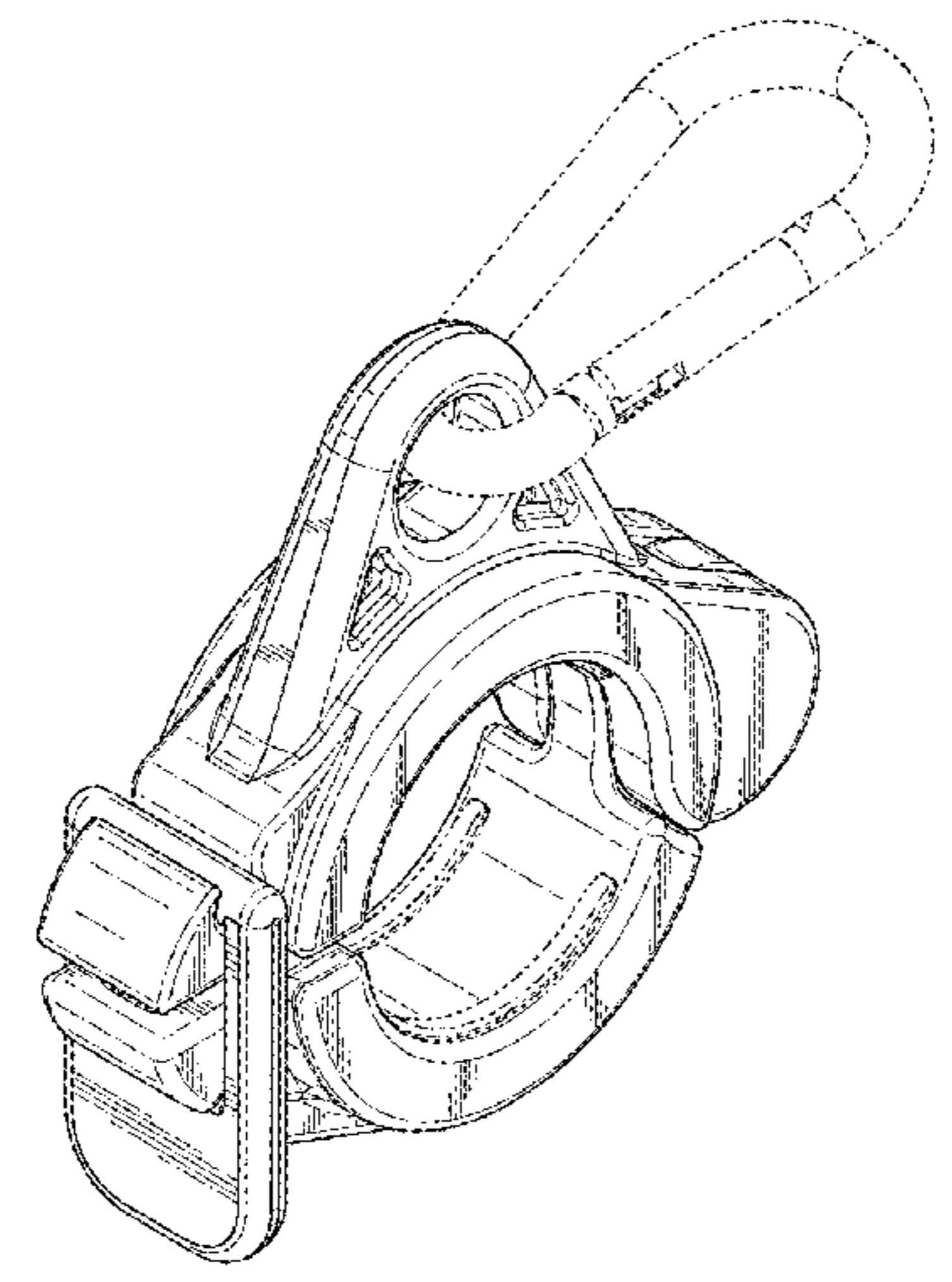
FIG. 1 is a perspective view of a single hole clamp showing our new design;  
FIG. 2 is a right side elevation view thereof;  
FIG. 3 is a left side elevation view thereof;  
FIG. 4 is a front elevation view thereof;  
FIG. 5 is a rear elevation view thereof;  
FIG. 6 is a top plan view thereof; and,  
FIG. 7 is a bottom plan view thereof.  
The evenly spaced dash-dot-dot broken lines in the drawing figures are for the purpose of illustrating environmental subject matter and form no part of the claimed design. The lines with short breaks are for the purposes of showing contours between surfaces illustrated by shade lines, the contours forming no part of the claimed design.

**1 Claim, 5 Drawing Sheets**

(56) **References Cited**

**U.S. PATENT DOCUMENTS**

- D49,673 S 9/1916 Pleister
- D190,429 S 5/1961 Hoagland
- 3,421,187 A 1/1969 Ryder
- 3,521,332 A 7/1970 Kramer
- 3,894,706 A 7/1975 Mizusawa



(56)

References Cited

U.S. PATENT DOCUMENTS

5,263,671 A 11/1993 Baum  
 D375,890 S 11/1996 Takai  
 D376,974 S \* 12/1996 Chen ..... 24/274 WB  
 5,653,411 A 8/1997 Picco  
 5,669,590 A 9/1997 Przewodek  
 5,703,330 A 12/1997 Kujawski  
 D421,318 S 2/2000 O'Brien  
 6,109,569 A 8/2000 Sakaida  
 6,405,414 B1 6/2002 Byrnes  
 6,408,492 B1 6/2002 Sparks  
 D459,977 S 7/2002 Byrnes  
 6,783,101 B2 8/2004 Knotts  
 6,915,870 B2 7/2005 Sugiyama  
 6,926,237 B2 8/2005 Shereyk  
 7,185,770 B1 3/2007 Roten  
 H2203 H 10/2007 Borchardt  
 D568,254 S 5/2008 Patchett

D577,423 S \* 9/2008 Dole ..... D23/265  
 D584,604 S \* 1/2009 Baldwin ..... D8/396  
 7,500,644 B2 3/2009 Naudet  
 D639,145 S 6/2011 Hoek  
 D639,146 S 6/2011 Hoek  
 8,177,736 B2 5/2012 Kopperschmidt  
 D676,309 S \* 2/2013 Bailey ..... D8/354  
 D676,314 S 2/2013 Cude  
 8,408,501 B2 4/2013 Noyes  
 D682,662 S \* 5/2013 Bailey ..... D8/354  
 D695,550 S 12/2013 Yiannaki  
 D708,053 S \* 7/2014 Marini ..... D24/127  
 D711,730 S \* 8/2014 McKiernan ..... D8/396  
 D722,867 S 2/2015 Papafagos  
 D761,643 S \* 7/2016 Papafagos ..... D8/396  
 D761,644 S \* 7/2016 Papafagos ..... D8/396  
 D766,059 S \* 9/2016 Moreau ..... D8/71  
 D766,711 S \* 9/2016 Babbage ..... D8/394  
 2012/0193492 A1 \* 8/2012 Ellingboe ..... A63G 31/00  
 248/219.4

\* cited by examiner

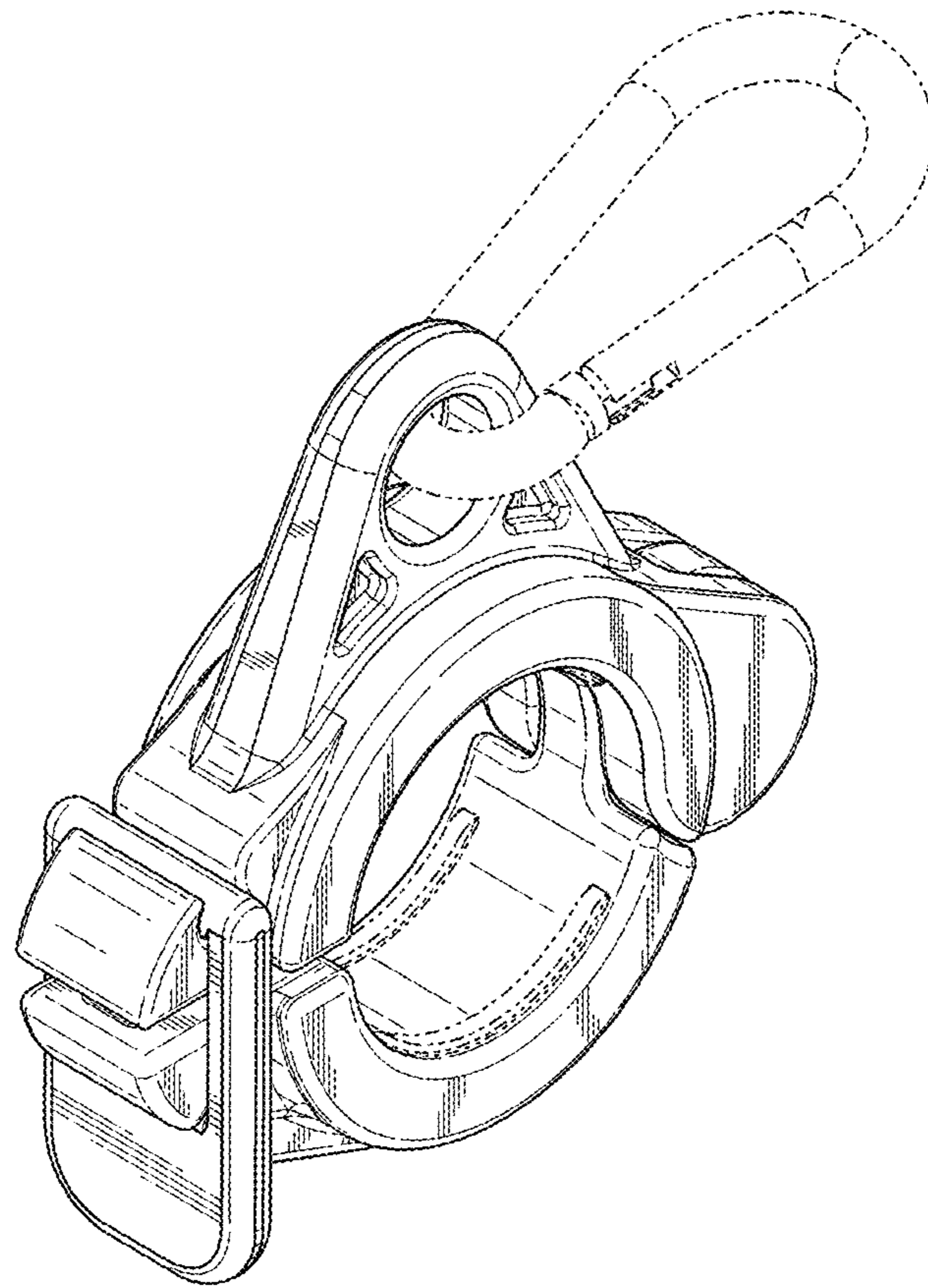


FIG. 1

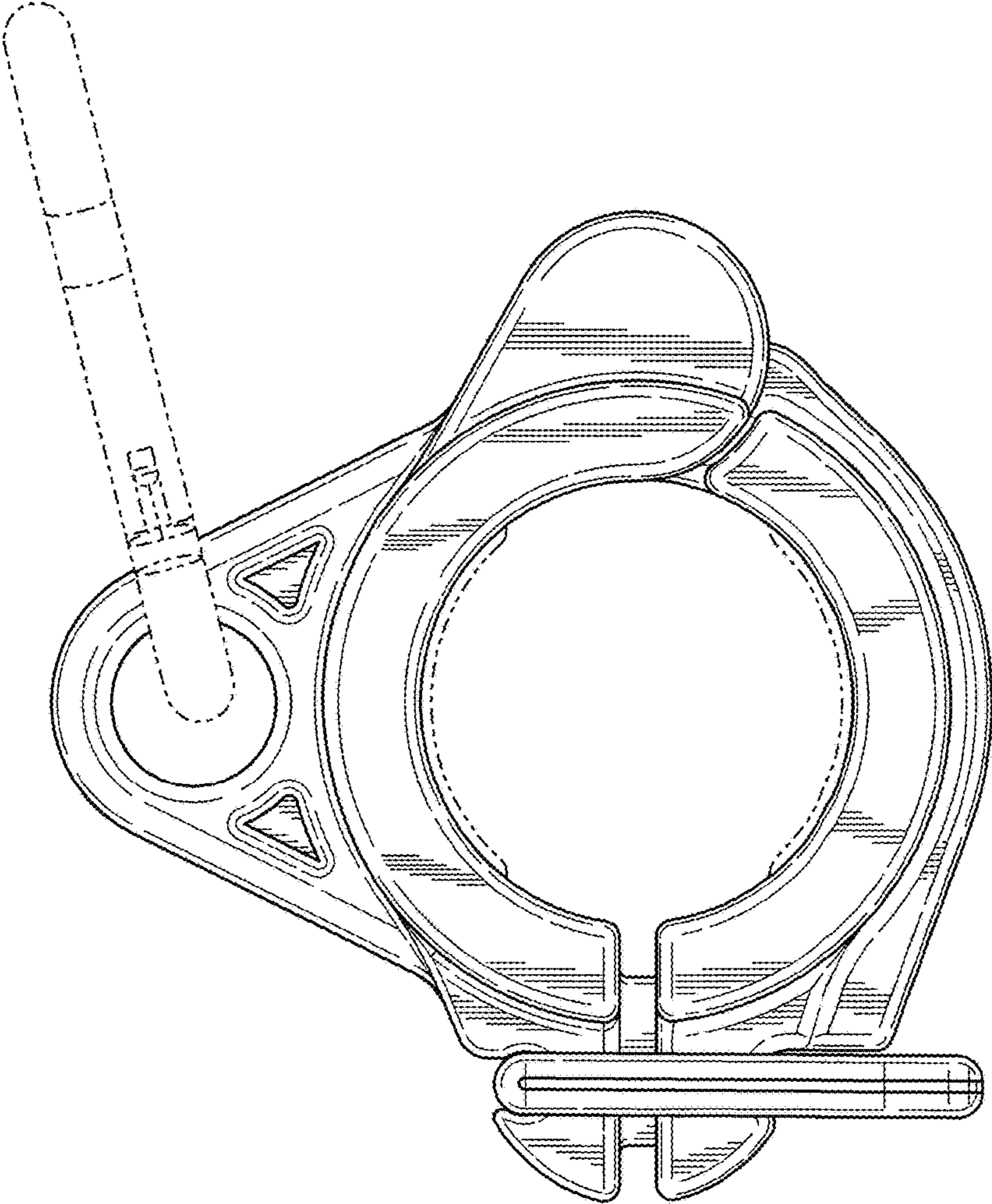


FIG. 2



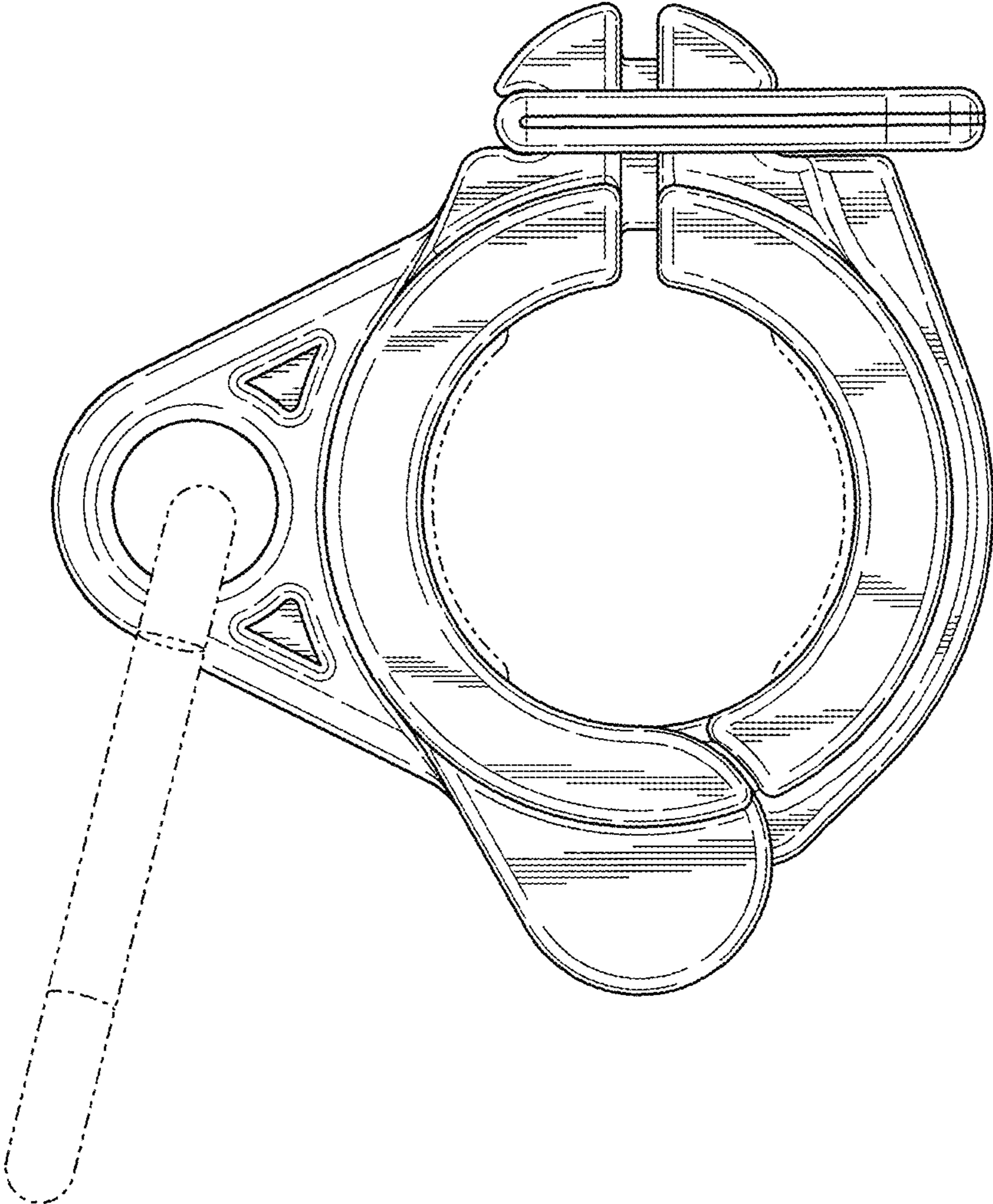


FIG. 3

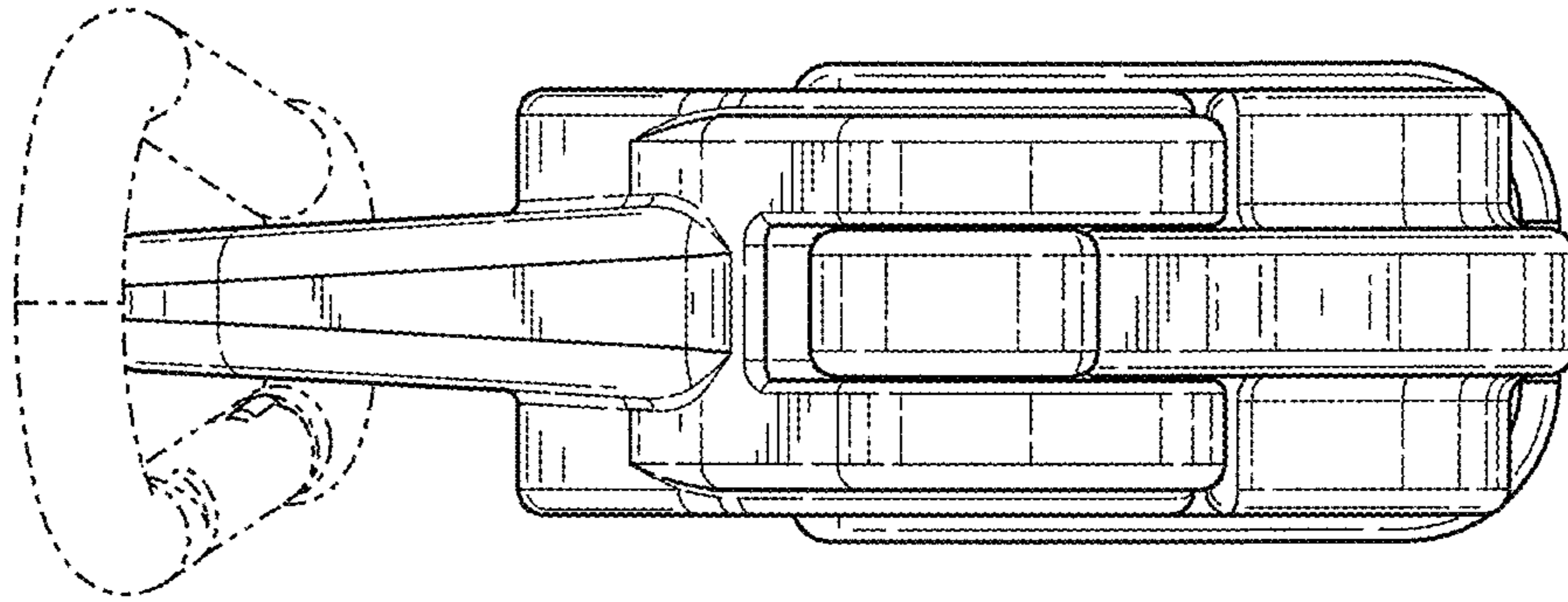


FIG. 4

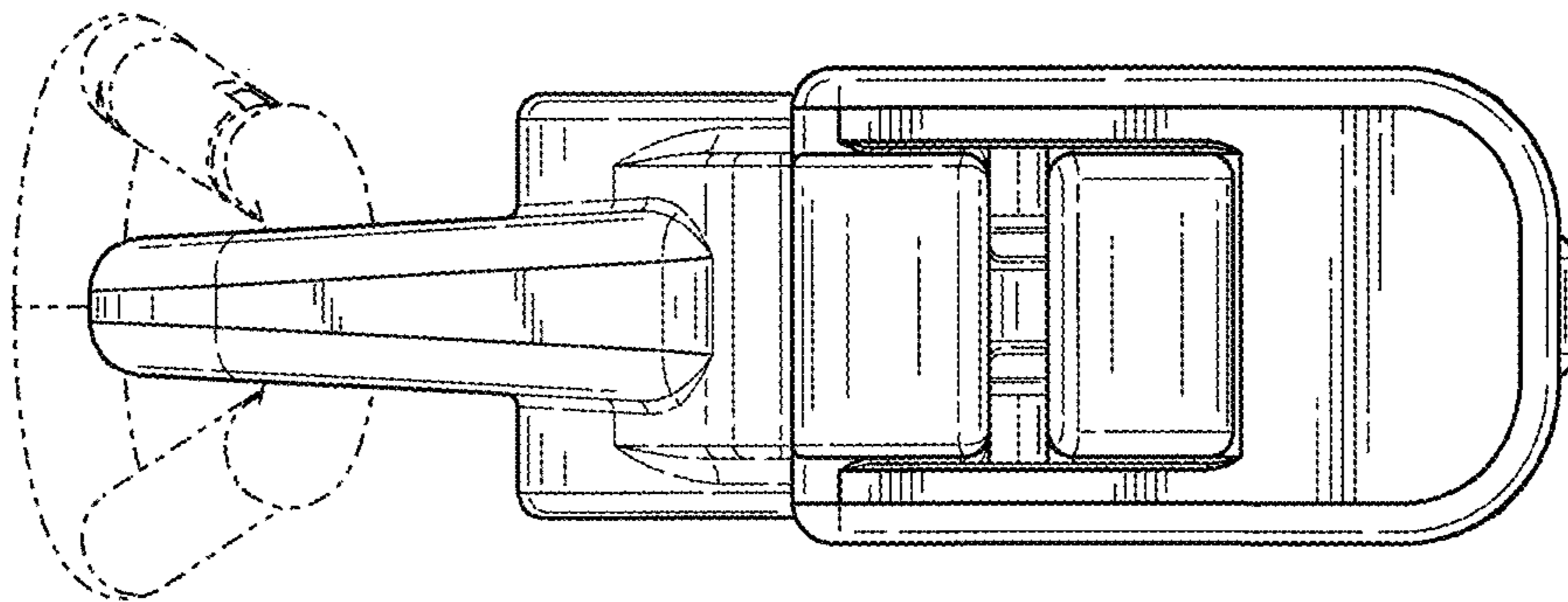


FIG. 5

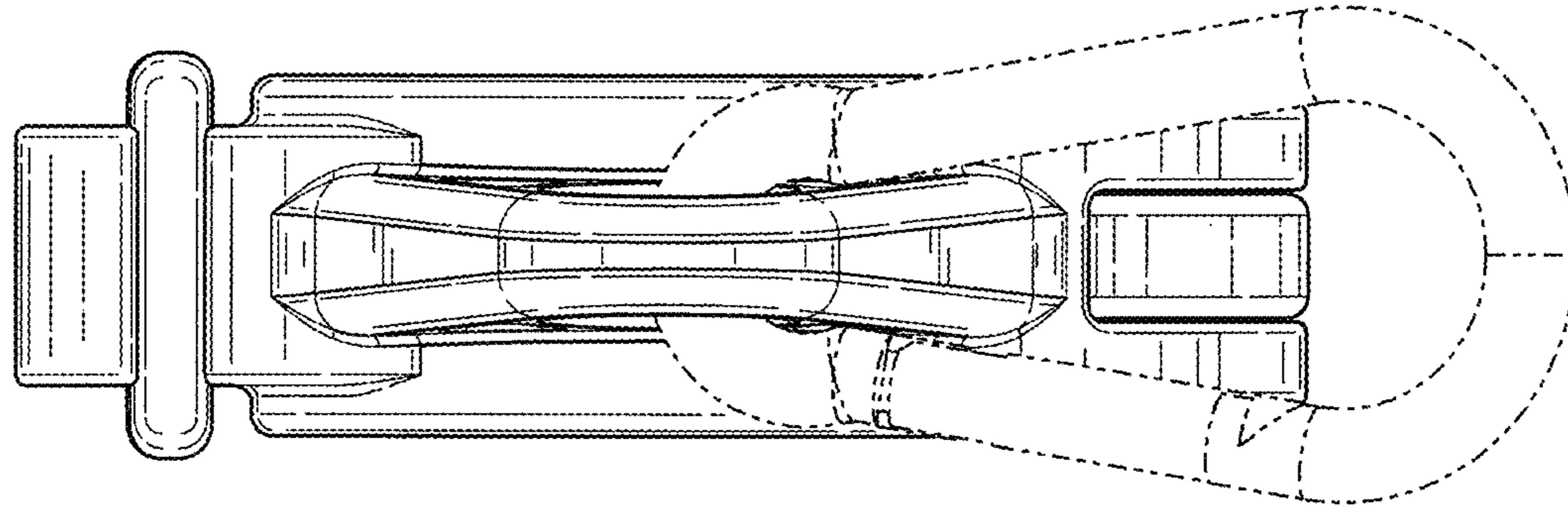


FIG. 6

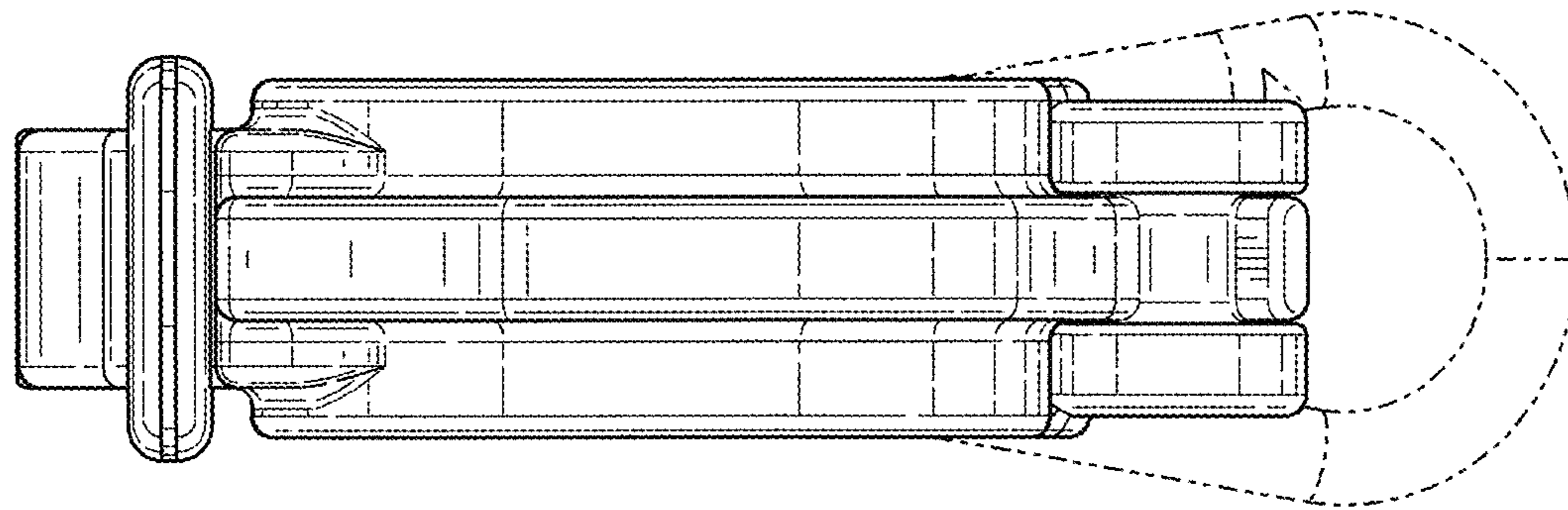


FIG. 7