

US00D794438S

(12) **United States Design Patent** (10) **Patent No.:** **US D794,438 S**  
**Davis** (45) **Date of Patent:** **\*\* Aug. 15, 2017**

- (54) **RETAINER CLIP**
- (71) Applicant: **Monica E. Davis**, Katy, TX (US)
- (72) Inventor: **Monica E. Davis**, Katy, TX (US)
- (\*\*) Term: **15 Years**
- (21) Appl. No.: **29/555,126**
- (22) Filed: **Feb. 18, 2016**

- 4,237,587 A \* 12/1980 Hsiao ..... B42F 1/08  
24/555
- D271,214 S \* 11/1983 Sato ..... D19/65
- D293,337 S \* 12/1987 Burgdorf ..... D19/34
- D301,897 S \* 6/1989 Wagner ..... D19/65
- D344,545 S \* 2/1994 Tsai ..... D19/65
- 5,326,305 A 7/1994 Fochler
- D367,306 S \* 2/1996 Fiscella ..... 473/40

(Continued)

**Related U.S. Application Data**

- (63) Continuation of application No. 14/141,930, filed on Dec. 27, 2013, now abandoned.
- (51) **LOC (10) Cl.** ..... **08-08**
- (52) **U.S. Cl.**  
USPC ..... **D8/395**
- (58) **Field of Classification Search**  
USPC ..... D30/161–162, 199; D8/394–396, 367;  
D11/24, 9, 78.1, 40; D19/65; 128/845  
CPC ..... B65D 33/16; B42F 9/001; D06F 55/00  
See application file for complete search history.

**FOREIGN PATENT DOCUMENTS**

- FR 982481-001 \* 4/1999
- WO 2011162449 A1 12/2011

**OTHER PUBLICATIONS**

Promotional paper clips | fancy paper clips, website no date, [site visited Jan. 5, 2017 8:58:48 PM], [http://www.clippa.co.uk/magnetic\\_plastic\\_spring\\_clips\\_~\\_home/](http://www.clippa.co.uk/magnetic_plastic_spring_clips_~_home/).\*

*Primary Examiner* — John Windmuller  
*Assistant Examiner* — John R Yeh  
(74) *Attorney, Agent, or Firm* — Robert C. Montgomery; Montgomery Patent and Design, LP.

**References Cited**

**U.S. PATENT DOCUMENTS**

- (56) 515,277 A \* 2/1894 Blair ..... D06F 55/00  
24/507
- 715,992 A \* 12/1902 Cox ..... D06F 55/00  
24/548
- 882,886 A \* 3/1908 Horton et al. .... D06F 55/00  
24/551
- 927,120 A \* 7/1909 Conrad ..... D06F 55/00  
24/570
- 1,257,639 A \* 2/1918 Rosenberger ..... D06F 55/00  
24/508
- 2,052,887 A \* 9/1936 Lewis ..... B42F 1/08  
24/547
- 2,561,593 A \* 7/1951 Paradis ..... D06F 55/00  
24/553
- 2,735,151 A \* 2/1956 Wachsman ..... D06F 55/00  
24/533
- 3,957,057 A 5/1976 Farino

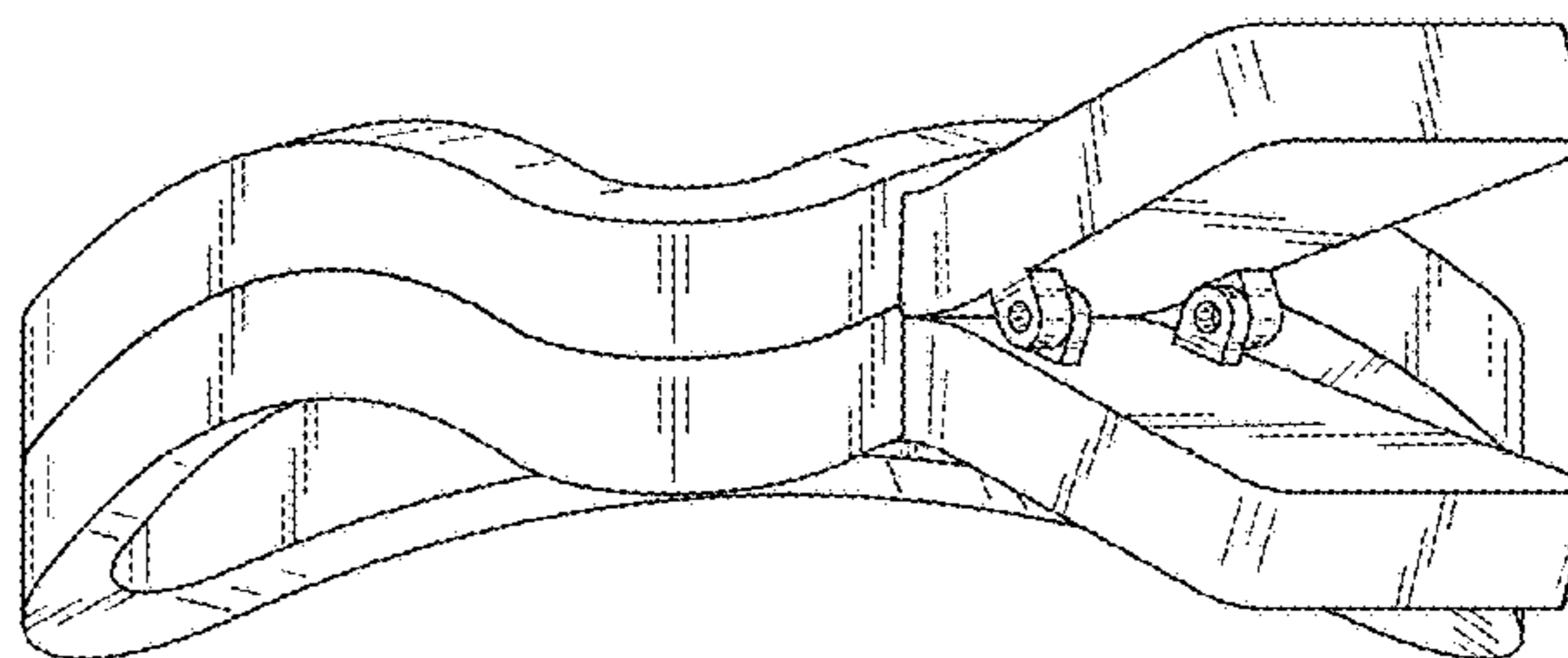
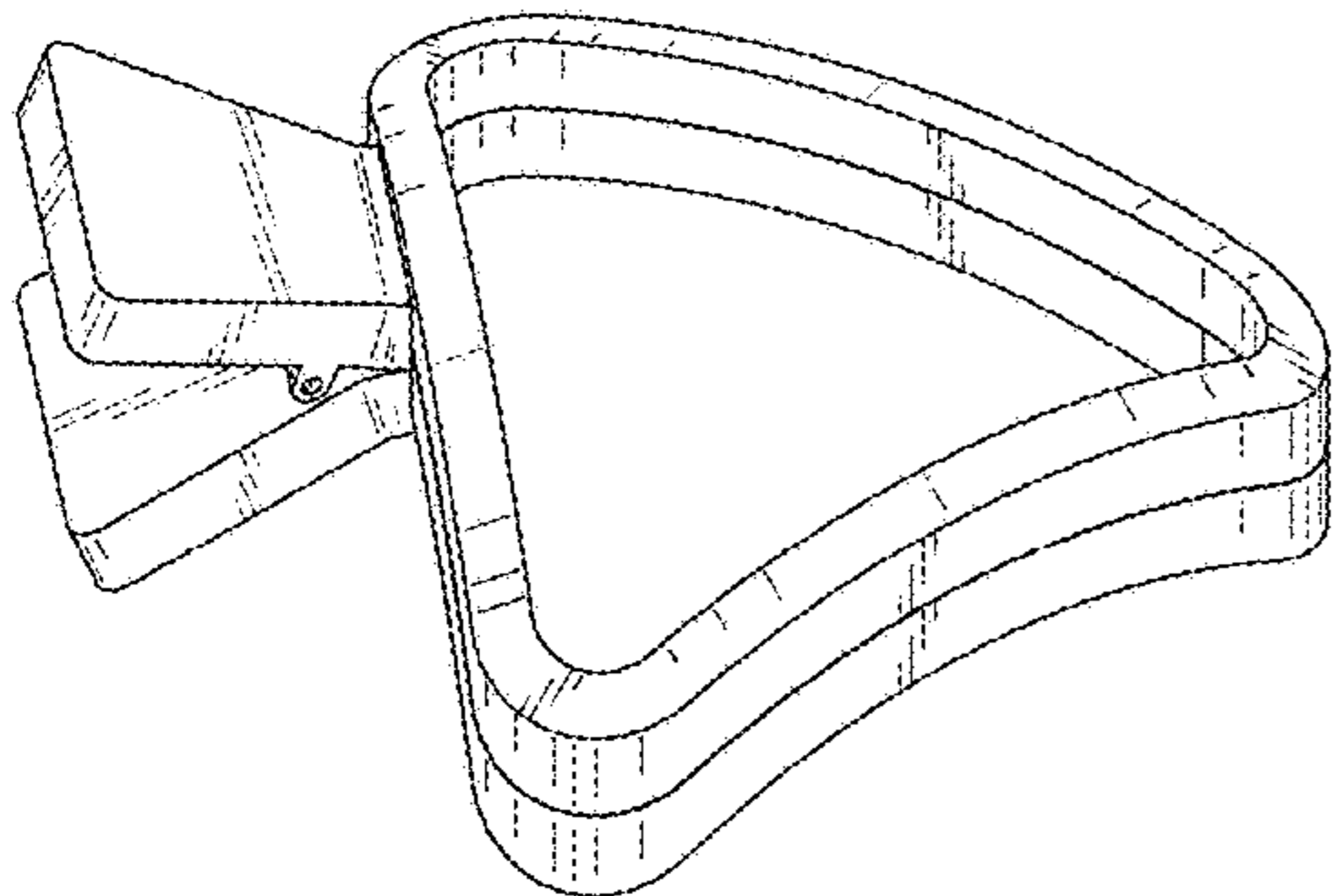
(57) **CLAIM**

The ornamental design for a retainer clip, as shown and described.

**DESCRIPTION**

FIG. 1 is a top side perspective view of a retainer clip, showing my new design;  
FIG. 2 is a front side elevation view thereof;  
FIG. 3 is a back side elevation view thereof;  
FIG. 4 is a left side elevation view thereof;  
FIG. 5 is a right side elevation view thereof;  
FIG. 6 is a top side plan view thereof; and,  
FIG. 7 is a bottom side plan view thereof.

**1 Claim, 7 Drawing Sheets**



(56)

**References Cited**

U.S. PATENT DOCUMENTS

5,947,786 A \* 9/1999 Glick ..... A63H 33/04  
446/85  
6,283,820 B1 9/2001 Huang  
6,299,505 B1 10/2001 Huang  
7,144,296 B2 12/2006 Chen et al.  
D548,061 S \* 8/2007 Hu ..... D8/370  
D551,297 S \* 9/2007 Gram ..... D19/65  
8,123,588 B2 2/2012 Tyrer  
D655,476 S 3/2012 Naughton et al.  
D667,294 S \* 9/2012 Wang ..... D8/367  
D669,345 S \* 10/2012 Taurins ..... D8/367  
8,277,276 B2 10/2012 Waitz et al.  
8,925,157 B2 \* 1/2015 O'Daniel ..... B42F 1/08  
24/67.9  
D752,958 S \* 4/2016 Giordano ..... D8/367  
2007/0050956 A1 \* 3/2007 Hu ..... F16B 45/02  
24/598.2  
2010/0065065 A1 3/2010 Johnston

\* cited by examiner

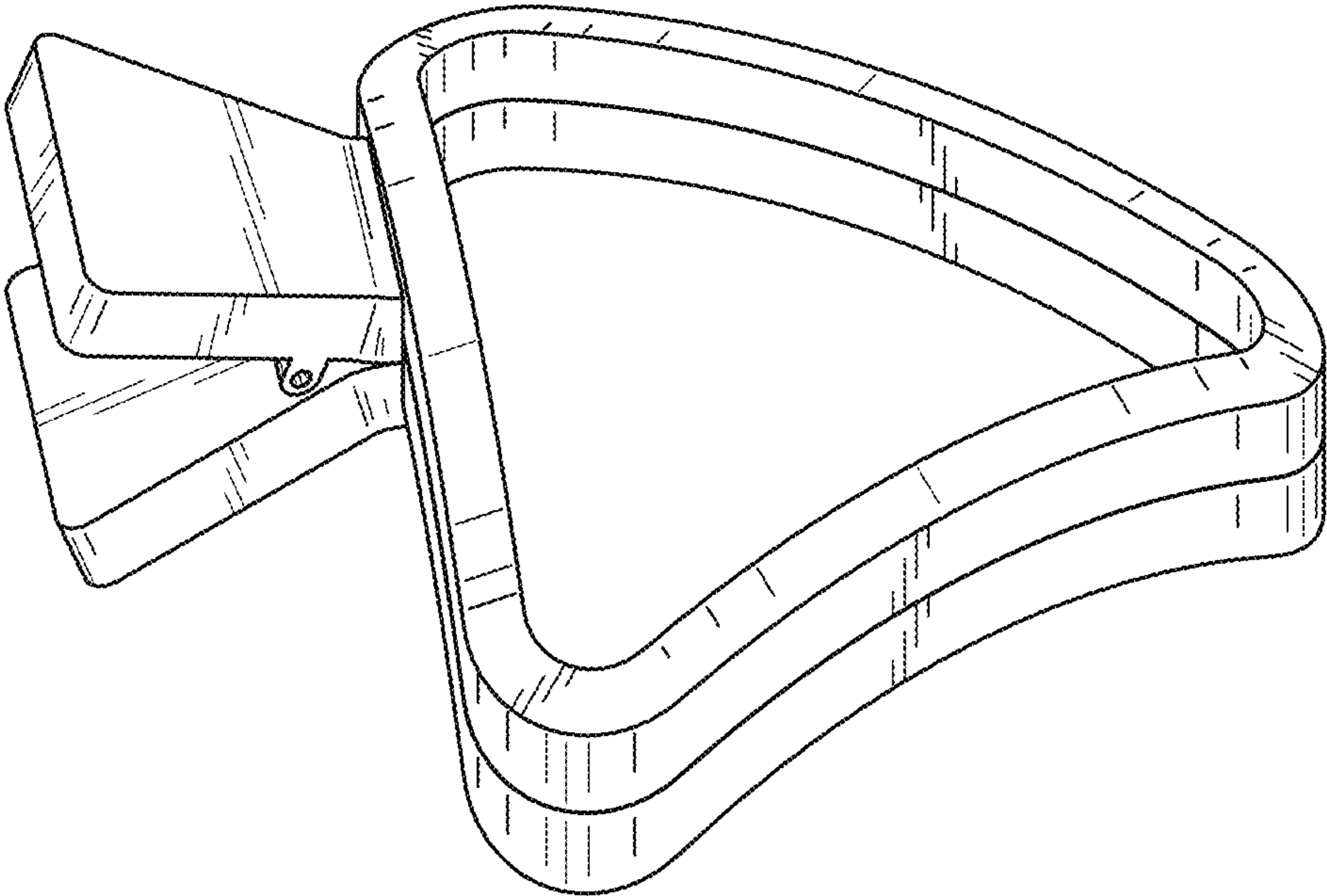


FIG. 1

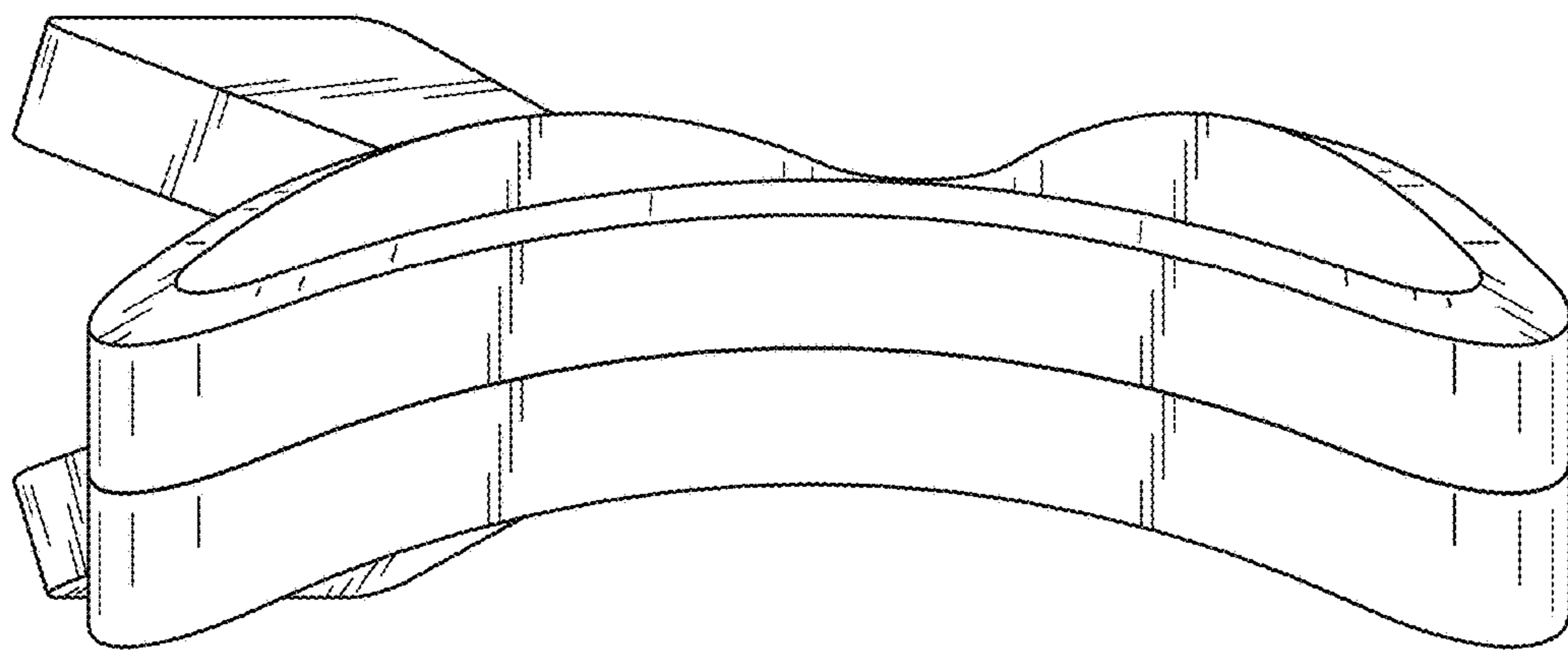


FIG. 2

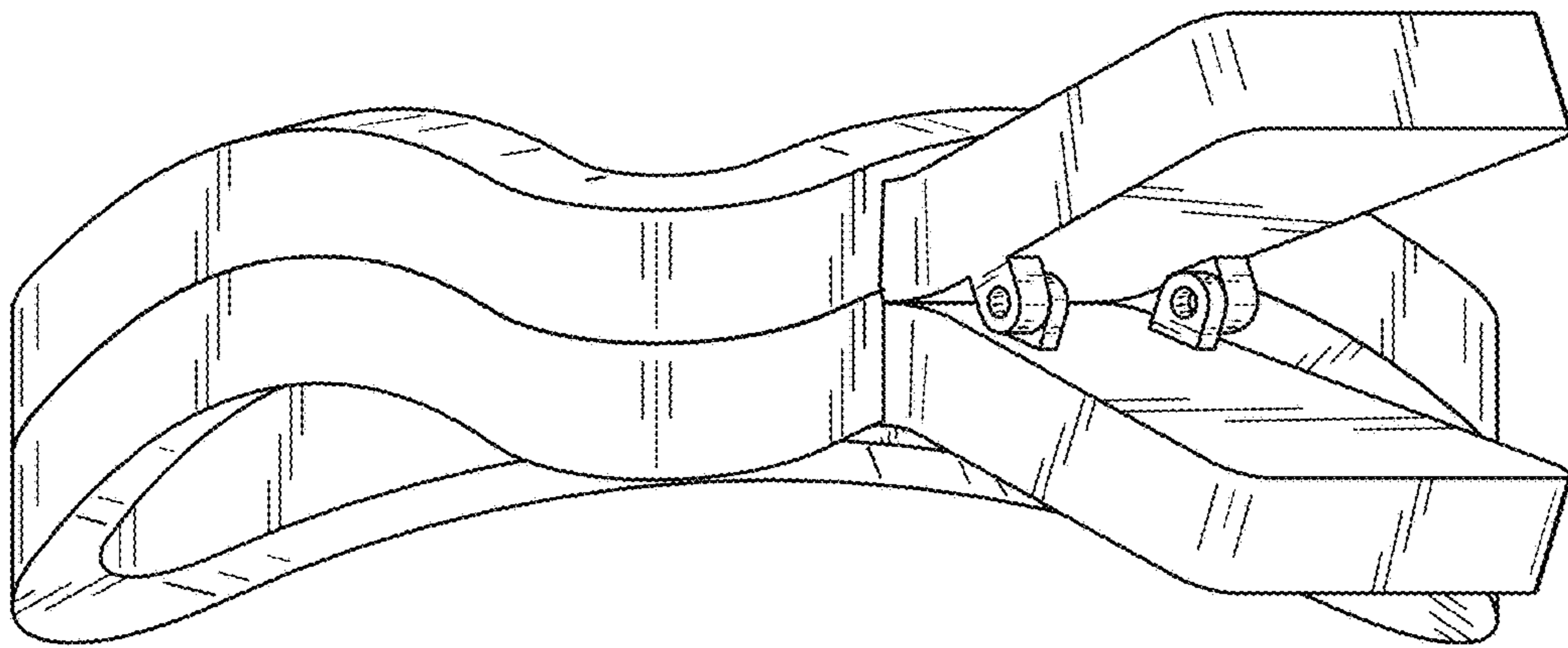


FIG. 3

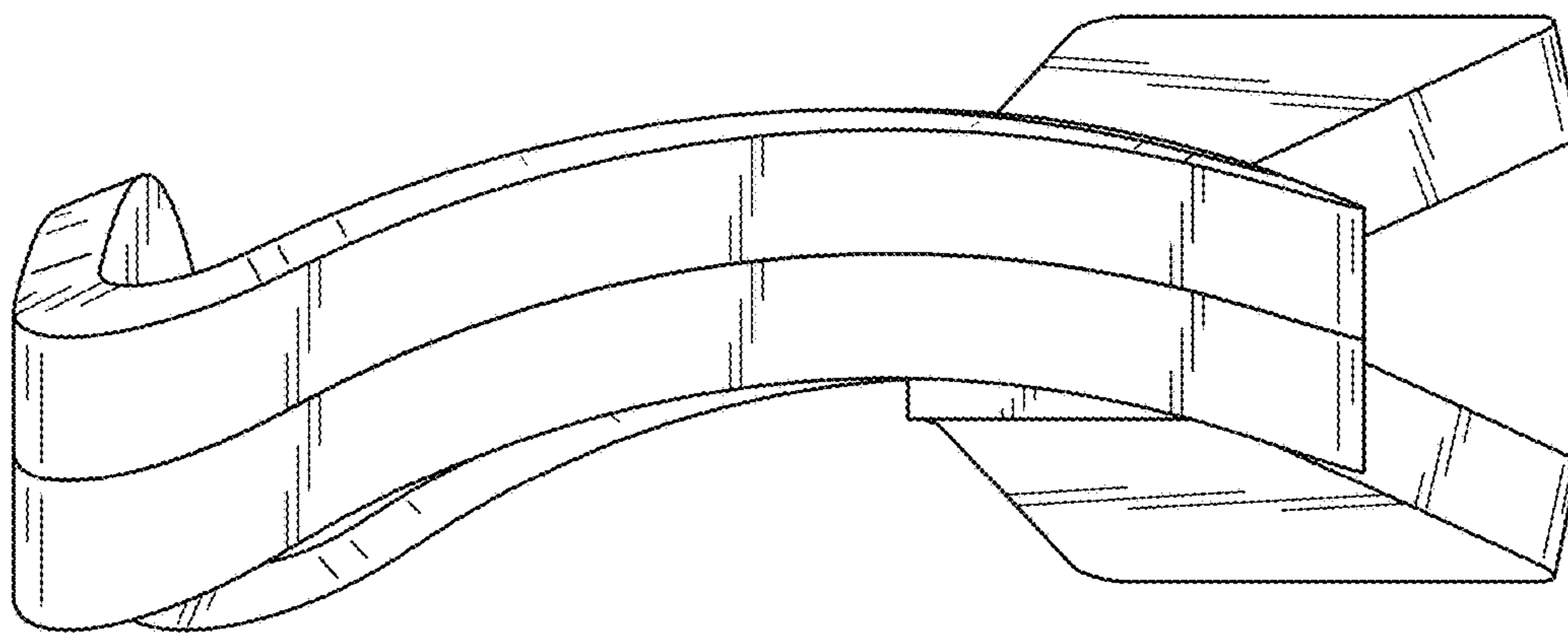


FIG. 4

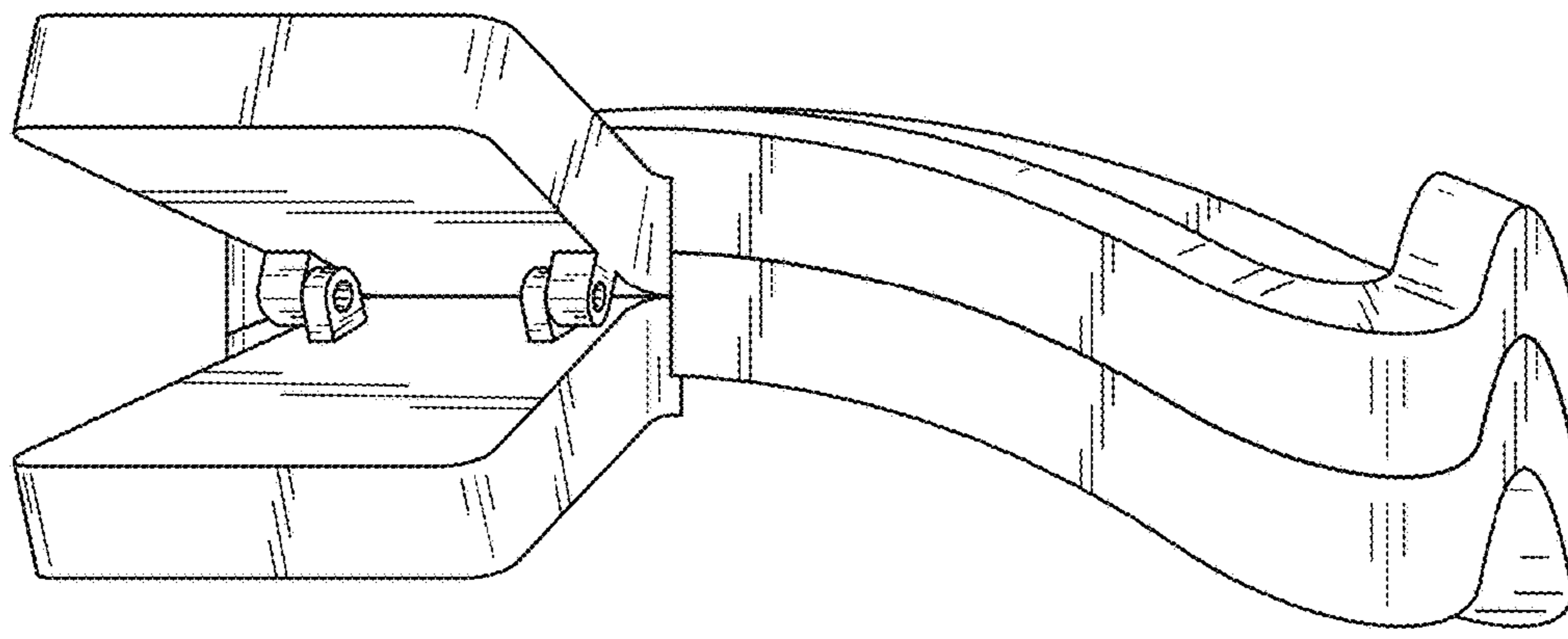


FIG. 5

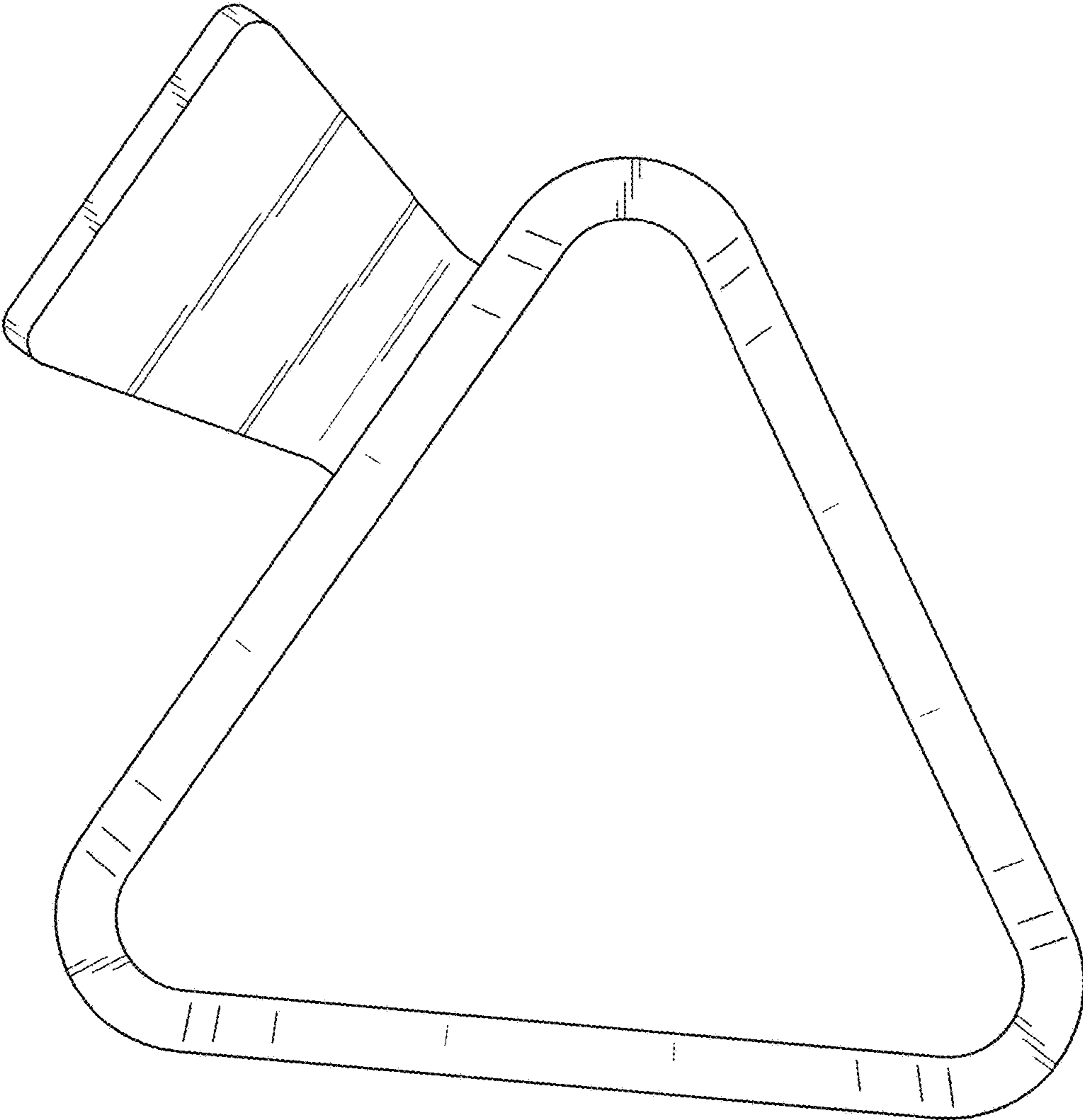


FIG. 6



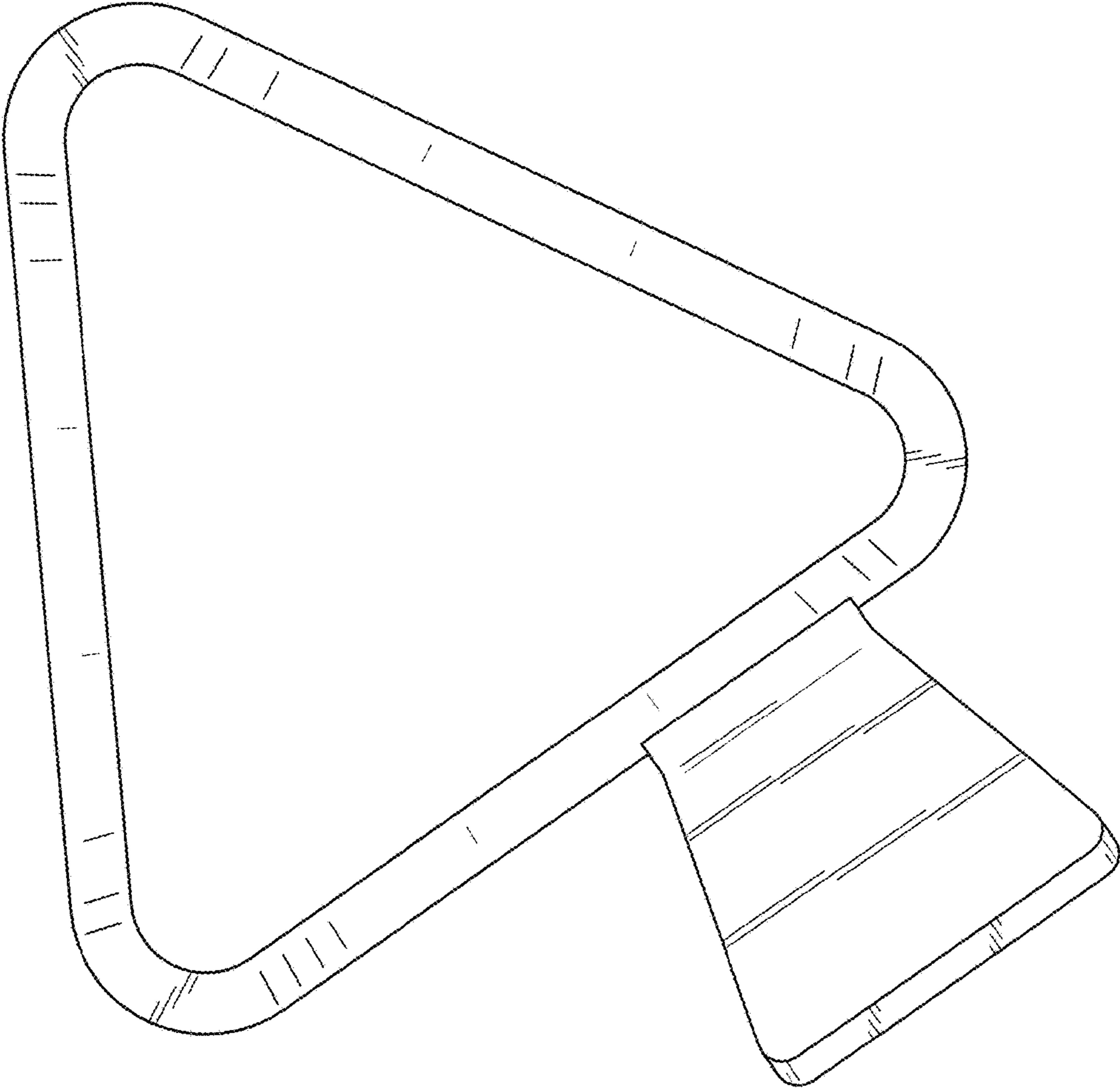


FIG. 7