



US00D794437S

(12) **United States Design Patent**
Zinser et al.

(10) **Patent No.:** **US D794,437 S**

(45) **Date of Patent:** **** Aug. 15, 2017**

(54) **TOWEL CLIP**

(71) Applicants: **Ann Christine Zinser**, Birmingham,
AL (US); **Roger W. Dubble**,
Birmingham, AL (US)

(72) Inventors: **Ann Christine Zinser**, Birmingham,
AL (US); **Roger W. Dubble**,
Birmingham, AL (US)

(**) Term: **14 Years**

(21) Appl. No.: **29/516,394**

(22) Filed: **Feb. 2, 2015**

(51) **LOC (10) Cl.** **08-08**

(52) **U.S. Cl.**
USPC **D8/395**

(58) **Field of Classification Search**
USPC D11/78.1, 215, 216; D19/65; D24/128;
D32/61; D8/354, 356, 371, 394, 395,
D8/396; 24/3.12, 570, 3.1, 499, 509,
24/459; 248/215, 227, 227.1, 300, 301,
248/316.7, 489, 49, 51, 74.2; D3/215;
81/3.55
CPC A61B 90/08; A61B 17/083; A61B
2017/2923; A61B 2017/2926; A61B
5/6838; F16B 2/10; F16B 12/32; F16B
2/24; F16B 2/241; F16B 9/023; B60N
2/5825; B60N 2/6027; B60R 16/0215;
A45F 5/02

See application file for complete search history.

(56) **References Cited**

U.S. PATENT DOCUMENTS

D514,434 S * 2/2006 Mariano D8/395
D522,850 S * 6/2006 Mandel D8/395

D525,117 S * 7/2006 Mariano D8/395
D552,978 S * 10/2007 Liao D8/395
D599,651 S * 9/2009 Riggsbee D8/395
D607,715 S * 1/2010 Chiu D8/395
D608,629 S * 1/2010 Daugherty D8/395
D665,246 S * 8/2012 Laguelle D8/395
D679,581 S * 4/2013 Liu D8/395
D751,890 S * 3/2016 Dubble D8/395
D758,839 S * 6/2016 Kaalberg D8/395
2016/0120322 A1* 5/2016 Katz A47C 7/62
29/525.08

* cited by examiner

Primary Examiner — Susan E Krakower

Assistant Examiner — Michael Maharajh

(74) *Attorney, Agent, or Firm* — Clark & Brody

(57) **CLAIM**

The ornamental design for a towel clip, as shown and described.

DESCRIPTION

FIG. 1 is a front perspective view of a towel clip showing our new design.

FIG. 2 is a top plan view thereof.

FIG. 3 is a front elevation view thereof.

FIG. 4 is a left side elevation view thereof.

FIG. 5 is a right side elevation view thereof.

FIG. 6 is a bottom view thereof; and,

FIG. 7 is a rear elevation view thereof.

The broken lines shown in the figures are for the purpose of illustrating portions of the towel clip and form no part of the claimed design.

1 Claim, 4 Drawing Sheets

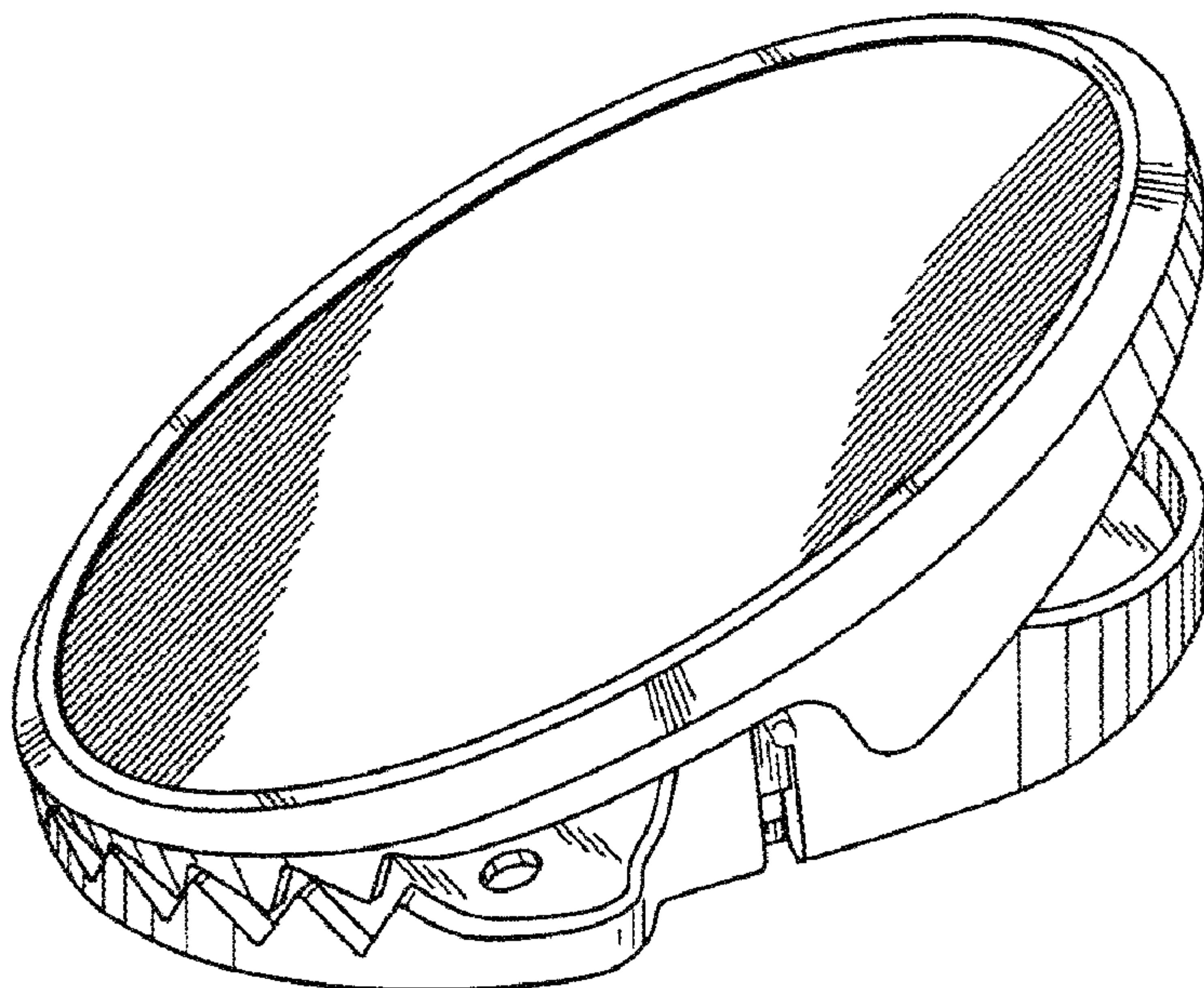


FIG. 1

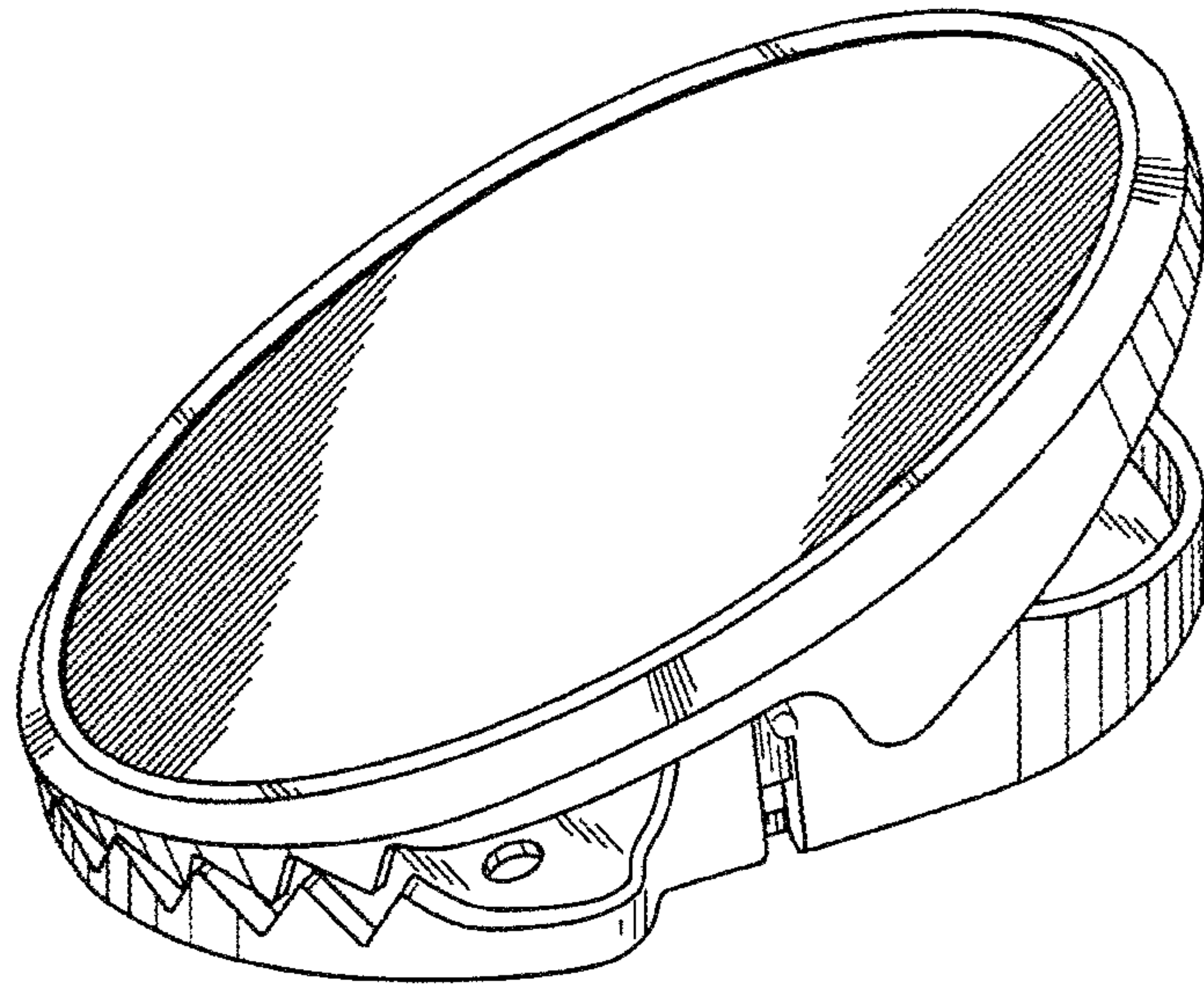


FIG. 2

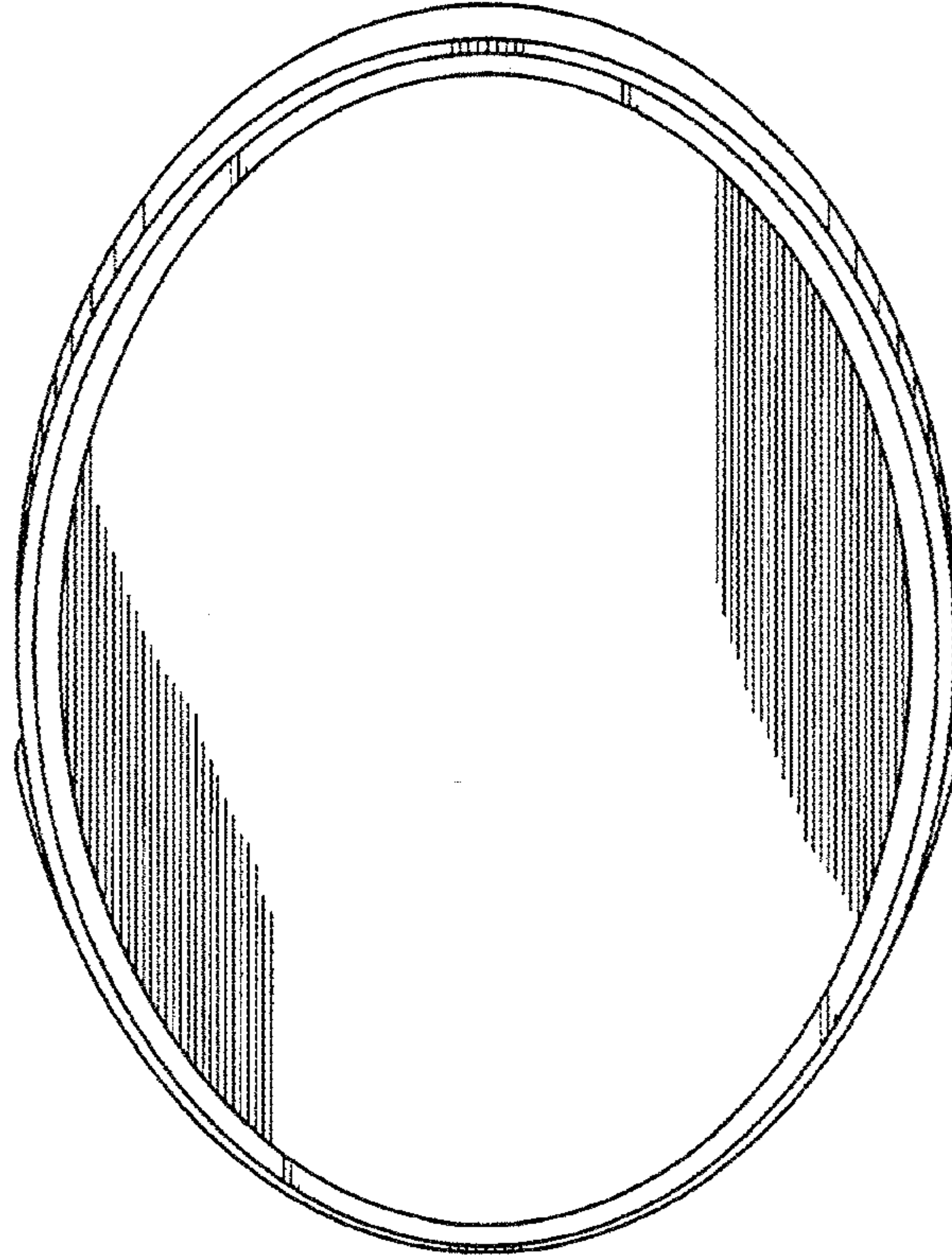


FIG. 3

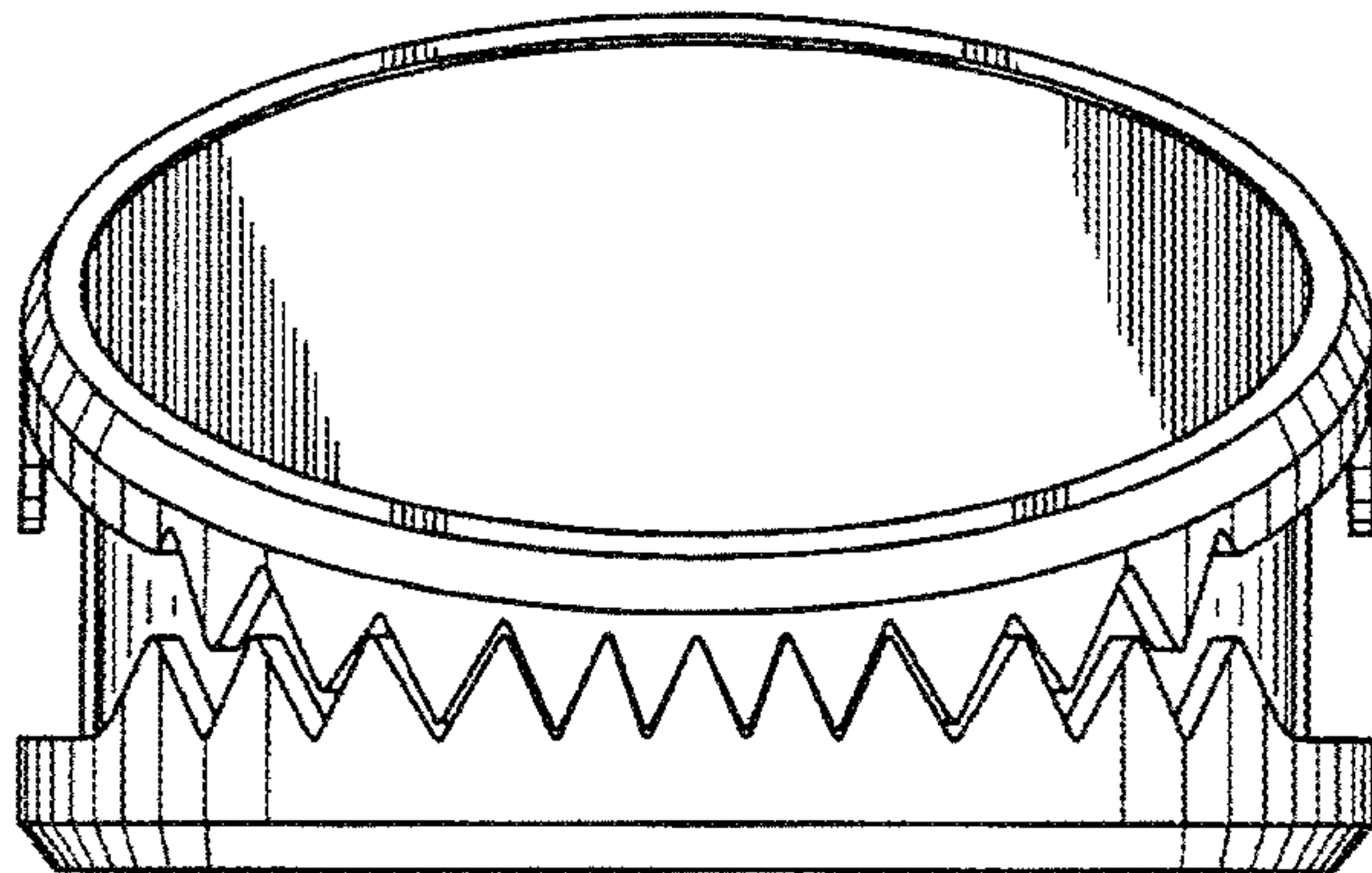


FIG. 4

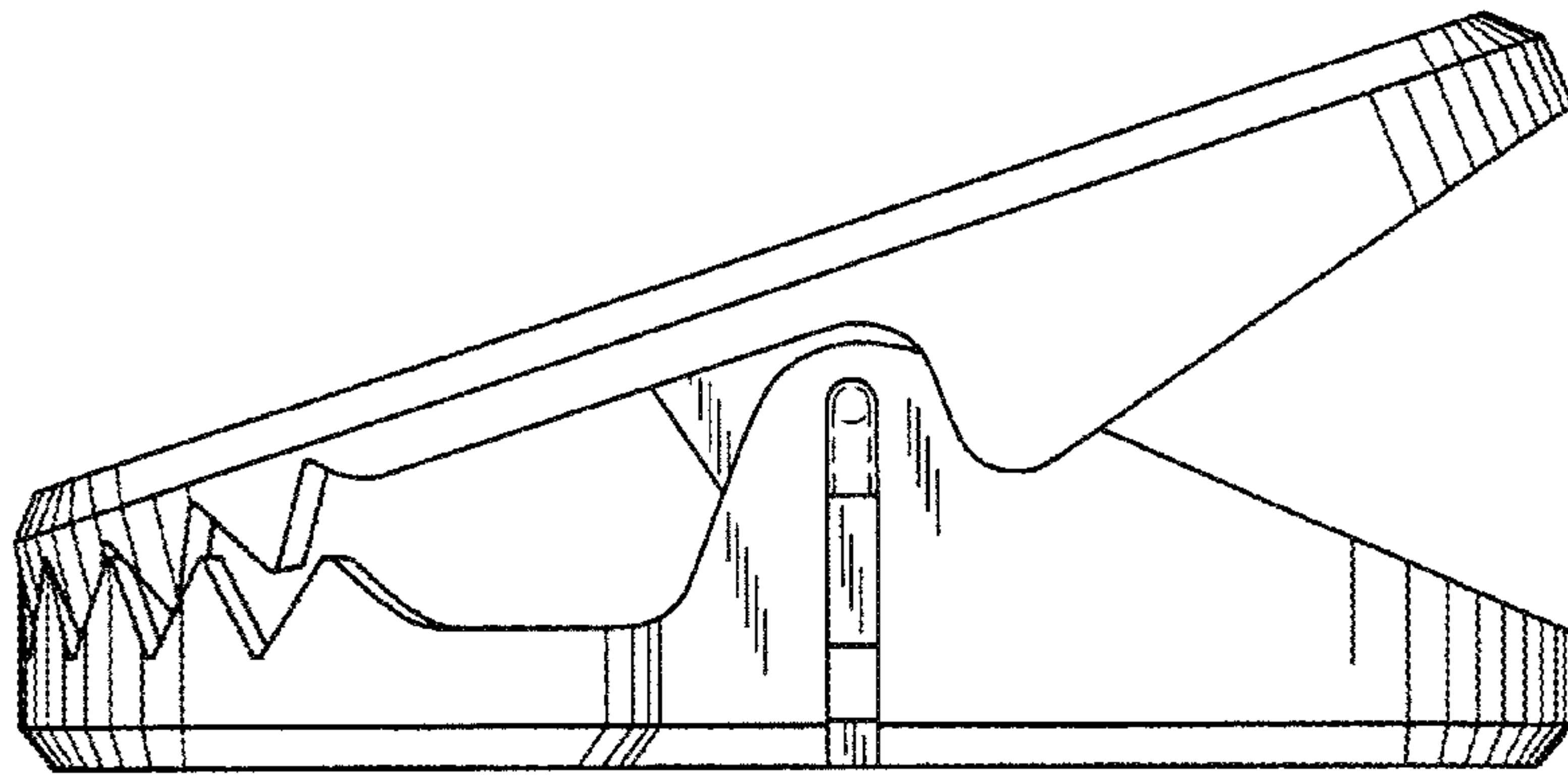


FIG. 5

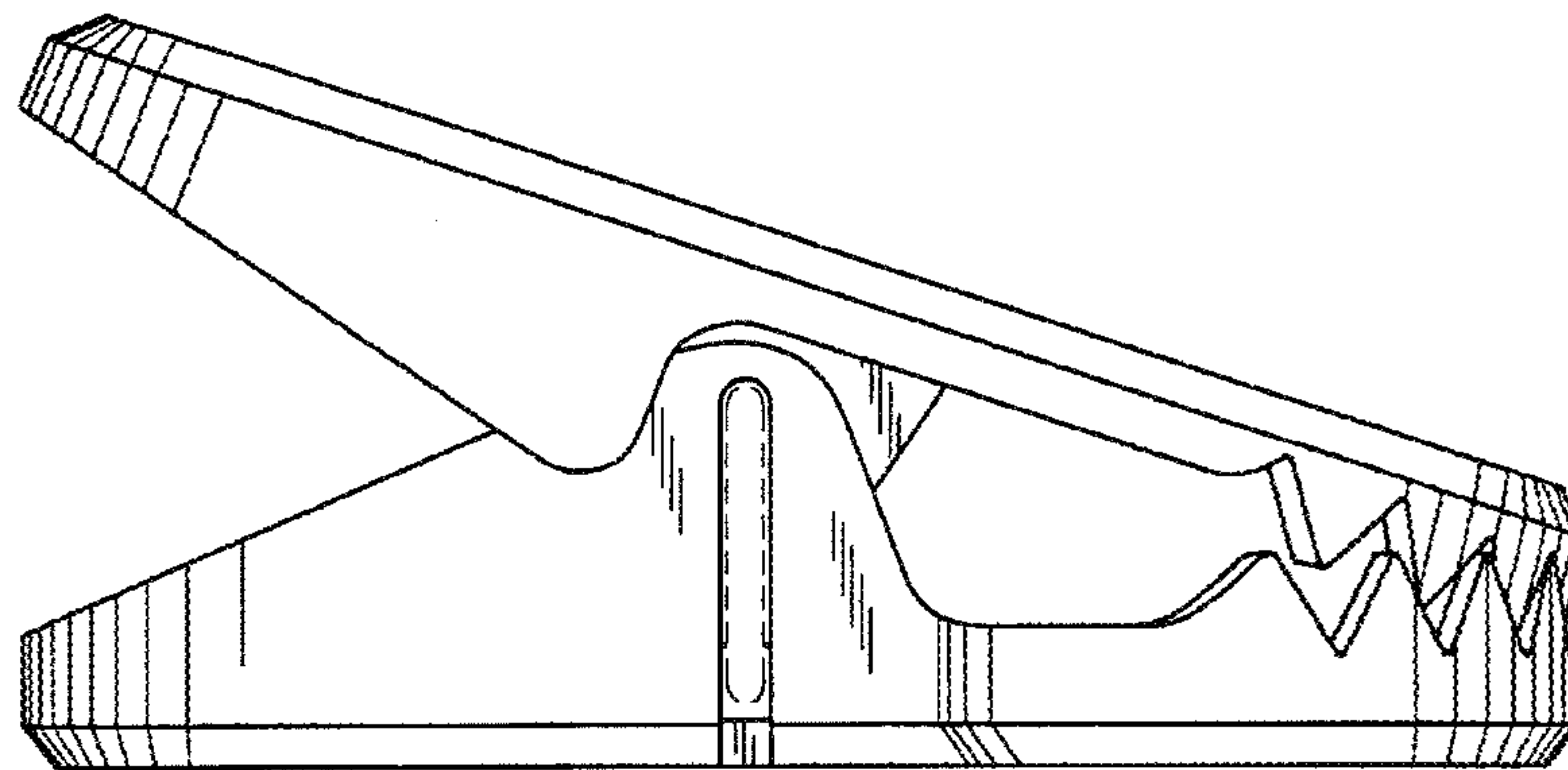


FIG. 6

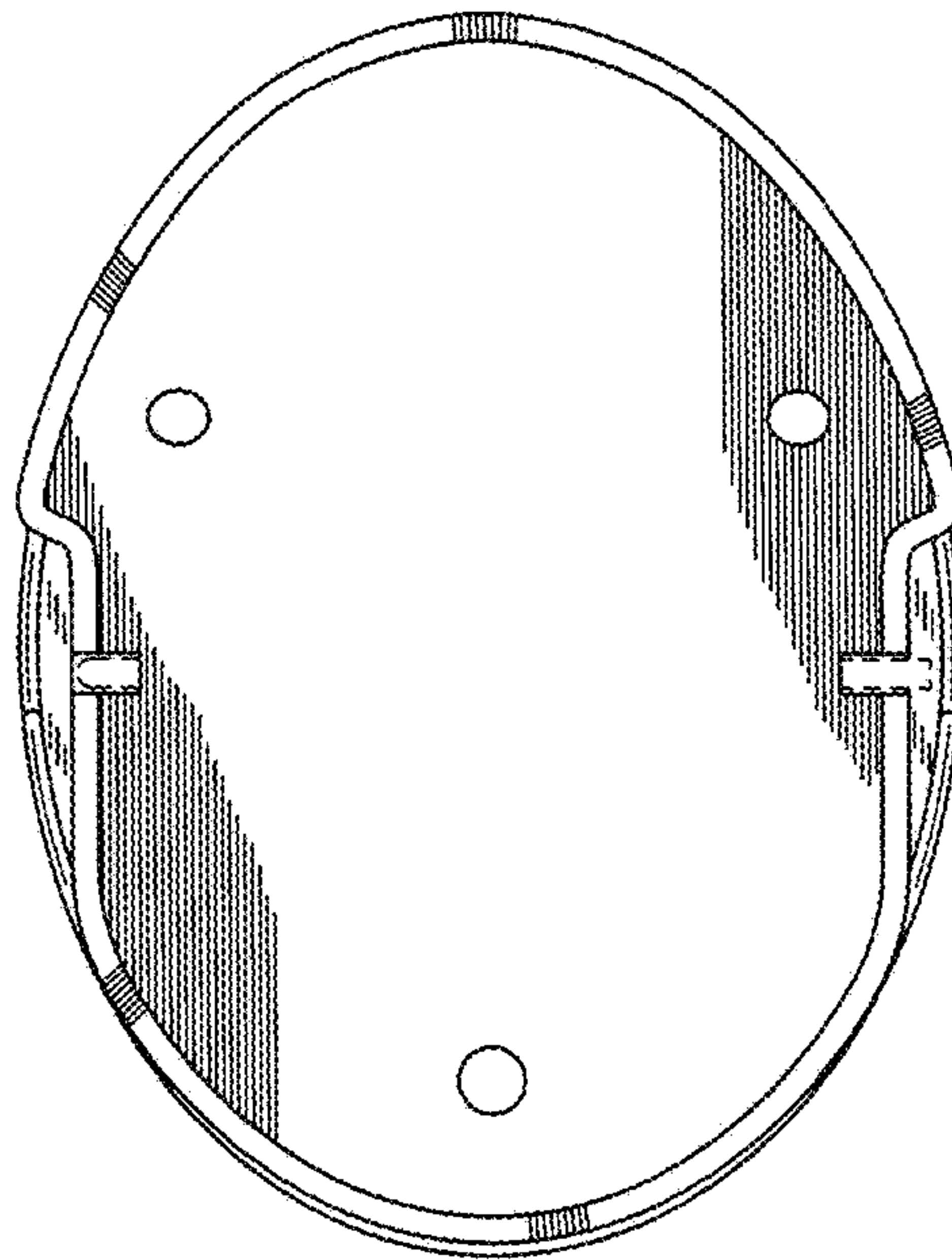


FIG. 7

