

US00D794434S

(12) **United States Design Patent** (10) **Patent No.:** **US D794,434 S**
McCoy (45) **Date of Patent:** **** Aug. 15, 2017**

(54) **DUCT SPACER**
(71) Applicant: **Underground Devices, Inc.**,
Northbrook, IL (US)
(72) Inventor: **Donald P McCoy**, Lake Forest, IL (US)
(73) Assignee: **Underground Devices, Inc.**,
Northbrook, IL (US)
(**) Term: **15 Years**
(21) Appl. No.: **29/555,347**
(22) Filed: **Feb. 20, 2016**
(51) **LOC (10) Cl.** **08-05**
(52) **U.S. Cl.**
USPC **D8/380; D8/354**
(58) **Field of Classification Search**
USPC D8/380, 354, 356, 63; 248/68.1, 73
CPC F16L 3/2235; F16L 3/23; F16L 5/00
See application file for complete search history.

4,093,076 A 6/1978 Newton
4,099,626 A 7/1978 Magnussen, Jr.
4,114,241 A 9/1978 Bisping
4,183,484 A 1/1980 Mathews
4,244,542 A 1/1981 Mathews
4,306,697 A 12/1981 Mathews
D265,052 S 6/1982 Husted
4,601,447 A 7/1986 McFarland
4,618,114 A 10/1986 McFarland
D296,074 S 6/1988 Seyfarth
5,104,072 A 4/1992 Kuo et al.
5,605,419 A 2/1997 Reinert, Sr.
5,827,441 A 10/1998 Solbjorg
5,992,802 A 11/1999 Campbell
6,053,456 A 4/2000 Dispenza
6,378,811 B1 4/2002 Potter

(Continued)

OTHER PUBLICATIONS

Carlson snap-n-stac combo spacers, Apr. 2010, 6 pages.
(Continued)

Primary Examiner — Lakiya Rogers
Assistant Examiner — Harold E Blackwell, II
(74) *Attorney, Agent, or Firm* — David W. Okey LLC

(56) **References Cited**
U.S. PATENT DOCUMENTS

1,801,451 A 4/1931 Parker
1,805,990 A 5/1931 Makowski
1,821,234 A 9/1931 Parker
2,462,399 A 2/1949 Hinchman
D165,901 S 2/1952 Bloom et al.
2,686,643 A 8/1954 Bloom et al.
2,849,027 A 8/1956 Tetyak
2,932,687 A 4/1960 Cook
2,937,833 A 5/1960 Sachs
3,310,906 A 3/1967 Glukes
3,464,661 A 9/1969 Alesi, Jr.
3,523,667 A 8/1970 Guerrero
3,531,071 A 9/1970 Kubli
3,643,005 A 2/1972 Mathews
3,765,629 A 10/1973 Voelker et al.
3,783,907 A 1/1974 Skinner
3,856,246 A 12/1974 Sinko
3,964,707 A 6/1976 Lewis

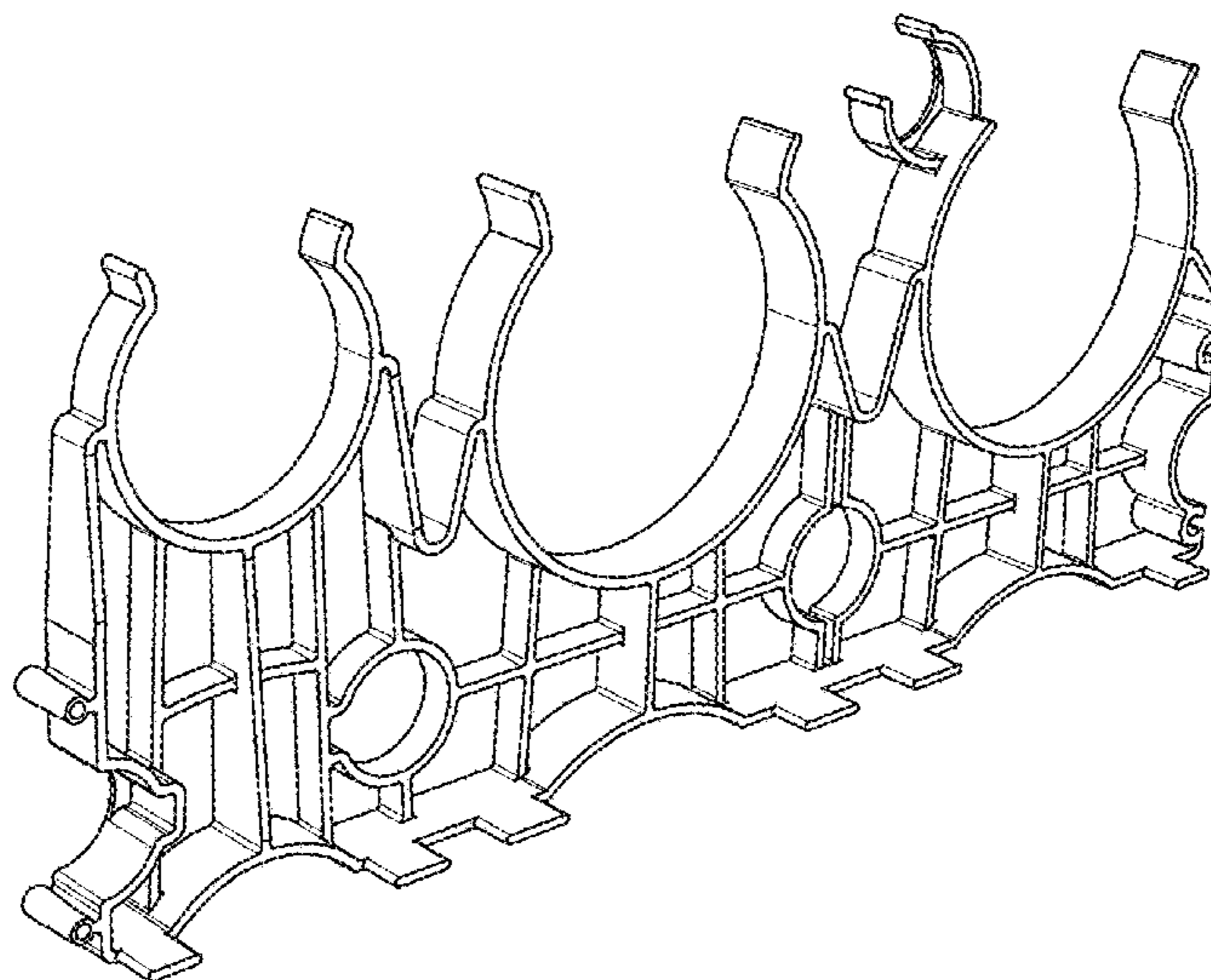
(57) **CLAIM**

The ornamental design for a duct spacer, as shown and described.

DESCRIPTION

FIG. 1 is a front perspective view of a duct spacer showing my new design;
FIG. 2 is a front elevational view thereof
FIG. 3 is a top plan view thereof;
FIG. 4 is a right side elevational view thereof;
FIG. 5 is a rear elevational view thereof;
FIG. 6 is a bottom plan view thereof; and,
FIG. 7 is a left side elevational view thereof.

1 Claim, 3 Drawing Sheets



(56)

References Cited

U.S. PATENT DOCUMENTS

7,080,864	B2	7/2006	Casteran
7,223,052	B1	5/2007	Evans
7,806,629	B2	10/2010	McCoy
7,828,251	B2	11/2010	Tollefson
7,942,371	B1	5/2011	McCoy
8,020,811	B2	9/2011	Nelson
8,074,945	B2	12/2011	Schoenau
8,294,030	B2	10/2012	Pollard, Jr.
8,342,474	B2	1/2013	Gilbreath
8,783,631	B2	7/2014	McCoy
8,876,068	B2	11/2014	McCoy
8,985,529	B2	3/2015	Masters et al.
9,038,967	B2	5/2015	Struck
2009/0224111	A1	9/2009	Gilbreath

OTHER PUBLICATIONS

Design U.S. Appl. No. 29/555,342, filed Feb. 20, 2016, Donald P. McCoy.

Design U.S. Appl. No. 29/555,343, filed Feb. 20, 2016, Donald P. McCoy.

Design U.S. Appl. No. 29/555,344, filed Feb. 20, 2016, Donald P. McCoy.

Design U.S. Appl. No. 29/555,345, filed Feb. 20, 2016, Donald P. McCoy.

Design U.S. Appl. No. 29/568,473, filed Jun. 18, 2016, Donald P. McCoy.

Design U.S. Appl. No. 29/568,474, filed Jun. 18, 2016, Donald P. McCoy.

Design U.S. Appl. No. 29/568,475, filed Jun. 18, 2016, Donald P. McCoy.

Design U.S. Appl. No. 29/568,476, filed Jun. 18, 2016, Donald P. McCoy.

Design U.S. Appl. No. 29/568,477, filed Jun. 18, 2016, Donald P. McCoy.

Design U.S. Appl. No. 29/568,479, filed Jun. 18, 2016, Donald P. McCoy.

Design U.S. Appl. No. 29/568,480, filed Jun. 18, 2016, Donald P. McCoy.

Design U.S. Appl. No. 29/568,481, filed Jun. 18, 2016, Donald P. McCoy.

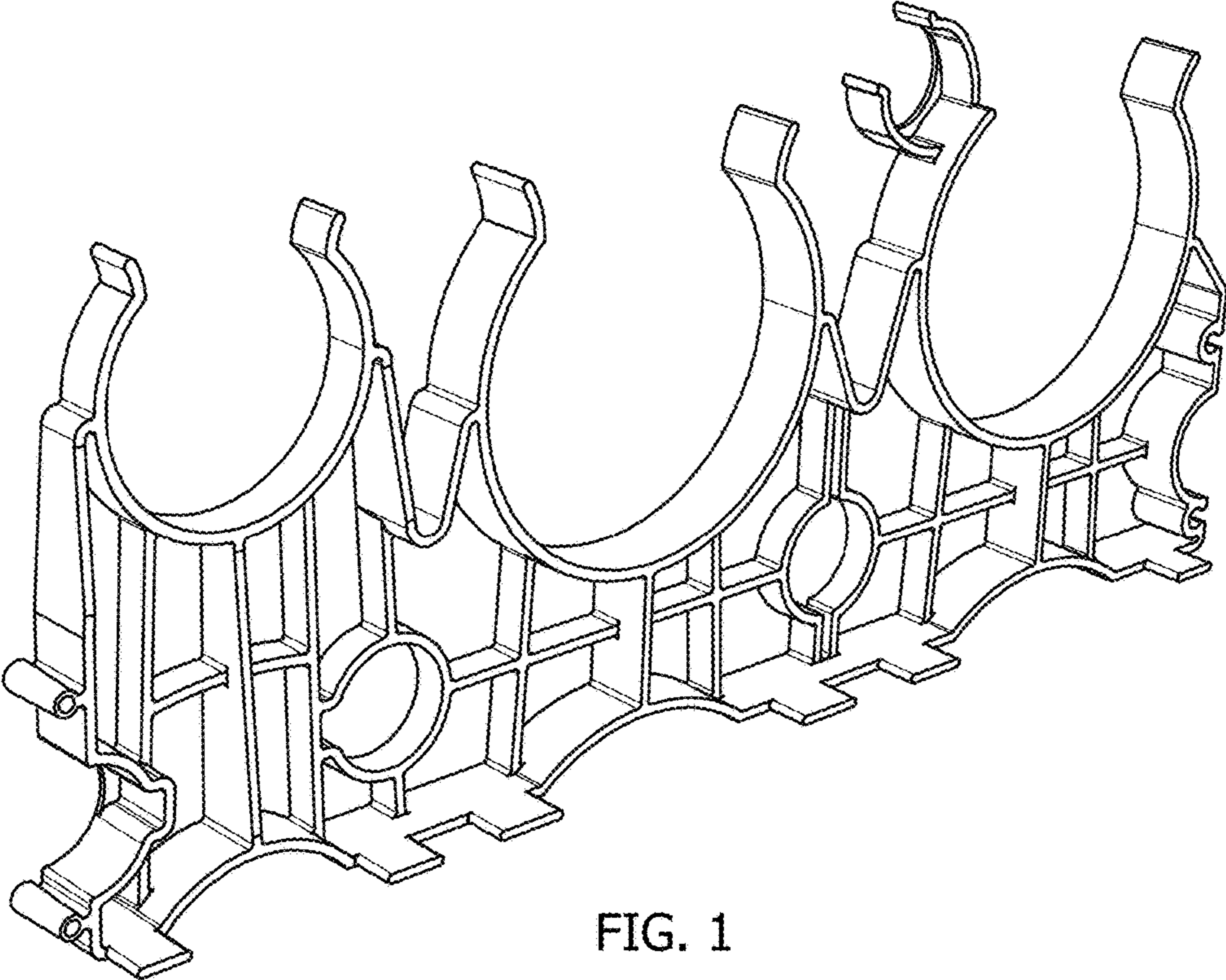


FIG. 1

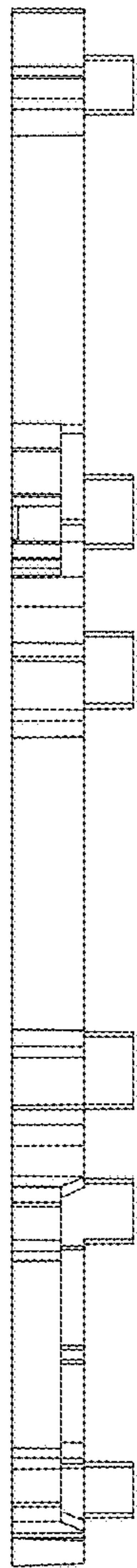


FIG. 3

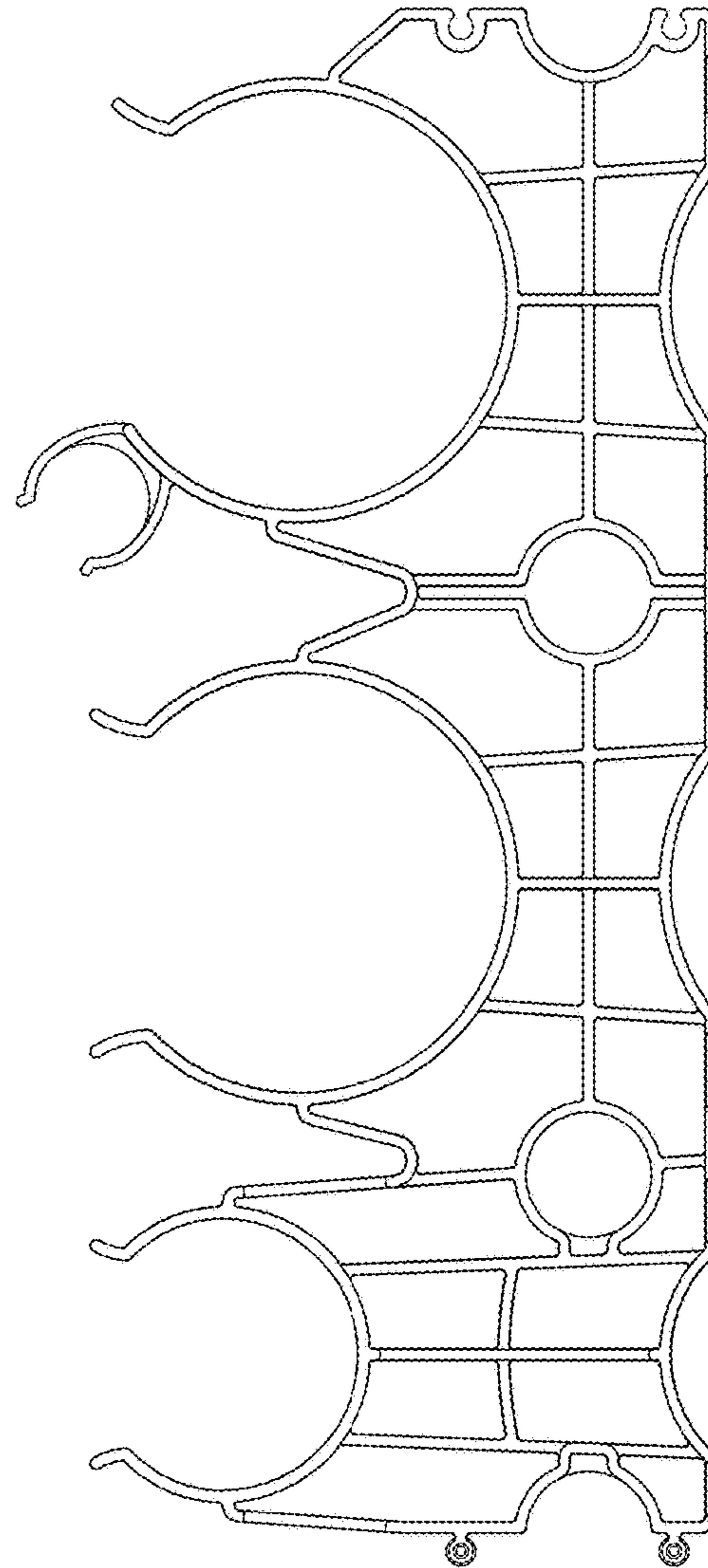


FIG. 2

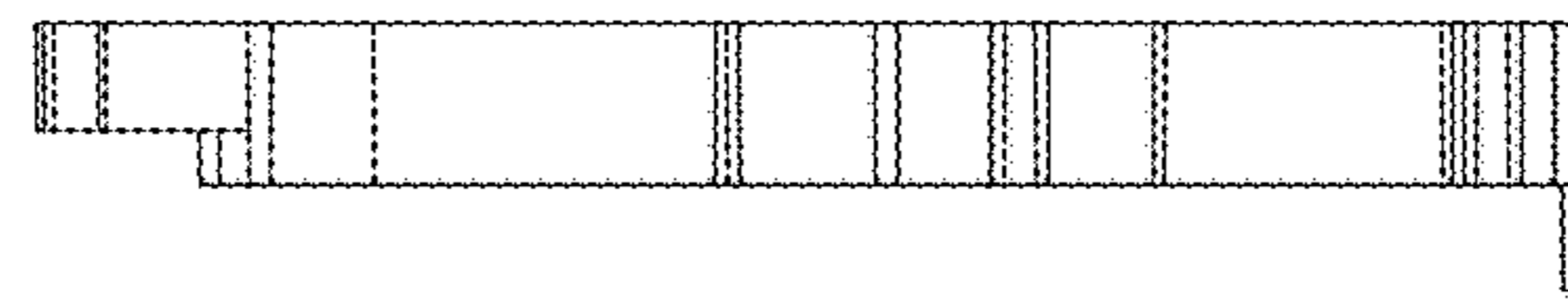


FIG. 4

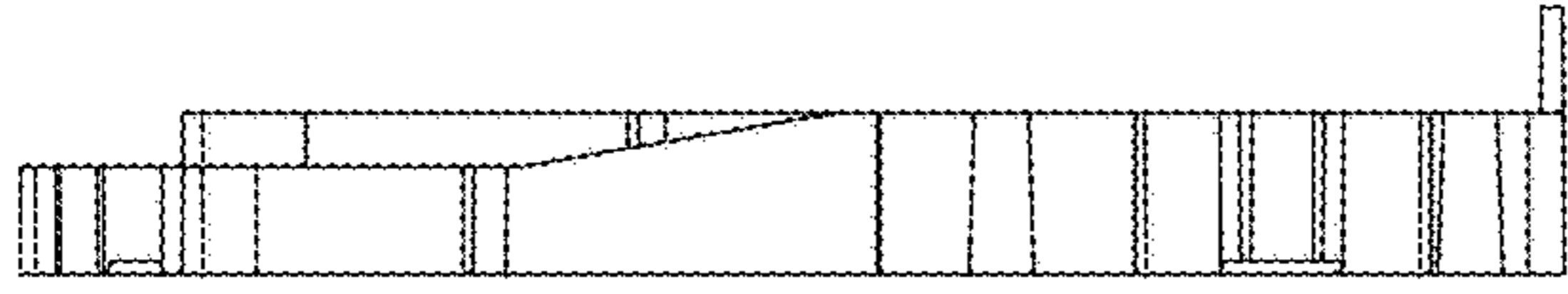


FIG. 7

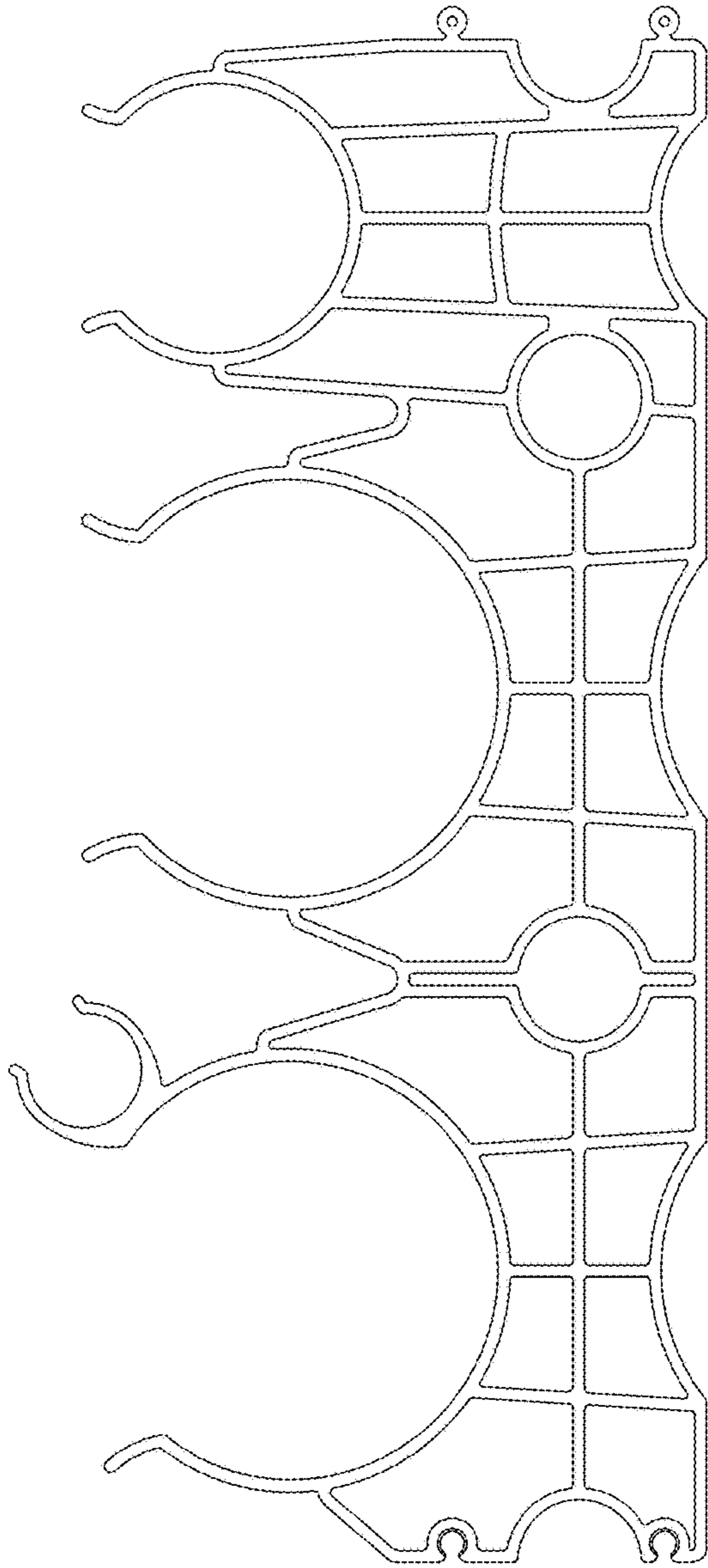


FIG. 5

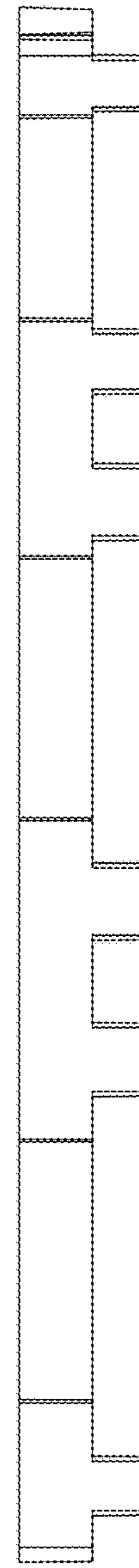


FIG. 6