



US00D794433S

(12) **United States Design Patent**
McCoy

(10) **Patent No.:** **US D794,433 S**
(45) **Date of Patent:** **** Aug. 15, 2017**

(54) **DUCT SPACER**
(71) Applicant: **Underground Devices, Inc.**,
Northbrook, IL (US)
(72) Inventor: **Donald P McCoy**, Lake Forest, IL (US)
(73) Assignee: **Underground Devices, Inc.**,
Northbrook, IL (US)
(**) Term: **15 Years**
(21) Appl. No.: **29/555,342**
(22) Filed: **Feb. 20, 2016**

4,093,076 A 6/1978 Newton
4,099,626 A 7/1978 Magnussen, Jr.
4,114,241 A 9/1978 Bisping
4,183,484 A 1/1980 Mathews
4,244,542 A 1/1981 Mathews
4,306,697 A 12/1981 Mathews
D265,052 S 6/1982 Husted
4,601,447 A 7/1986 McFarland
4,618,114 A 10/1986 McFarland
D296,074 S 6/1988 Seyfarth
5,104,072 A 4/1992 Kuo et al.
5,605,419 A 2/1997 Reinert, Sr.
5,827,441 A 10/1998 Solbjorg
5,992,802 A 11/1999 Campbell
6,053,456 A 4/2000 Dispenza
(Continued)

(51) **LOC (10) Cl.** **08-05**
(52) **U.S. Cl.**
USPC **D8/380; D8/354**
(58) **Field of Classification Search**
USPC D8/380, 354, 356, 63; 248/68.1, 73
CPC F16L 3/2235; F16L 3/23; F16L 5/00
See application file for complete search history.

(56) **References Cited**

U.S. PATENT DOCUMENTS

| | | |
|-------------|---------|----------------|
| 1,801,451 A | 4/1931 | Parker |
| 1,805,990 A | 5/1931 | Makowski |
| 1,821,234 A | 9/1931 | Parker |
| 2,462,399 A | 2/1949 | Hinchman |
| D165,901 S | 2/1952 | Bloom et al. |
| 2,686,643 A | 8/1954 | Bloom et al. |
| 2,849,027 A | 8/1956 | Tetyak |
| 2,932,687 A | 4/1960 | Cook |
| 2,937,833 A | 5/1960 | Sachs |
| 3,310,906 A | 3/1967 | Glukes |
| 3,464,661 A | 9/1969 | Alesi, Jr. |
| 3,523,667 A | 8/1970 | Guerrero |
| 3,531,071 A | 9/1970 | Kubli |
| 3,643,005 A | 2/1972 | Mathews |
| 3,765,629 A | 10/1973 | Voelker et al. |
| 3,783,907 A | 1/1974 | Skinner |
| 3,856,246 A | 12/1974 | Sinko |
| 3,964,707 A | 6/1976 | Lewis |

OTHER PUBLICATIONS

Design U.S. Appl. No. 29/555,343, filed Feb. 20, 2016, Donald P. McCoy.
(Continued)

Primary Examiner — Lakiya Rogers
Assistant Examiner — Harold E Blackwell, II
(74) *Attorney, Agent, or Firm* — David W. Okey LLC

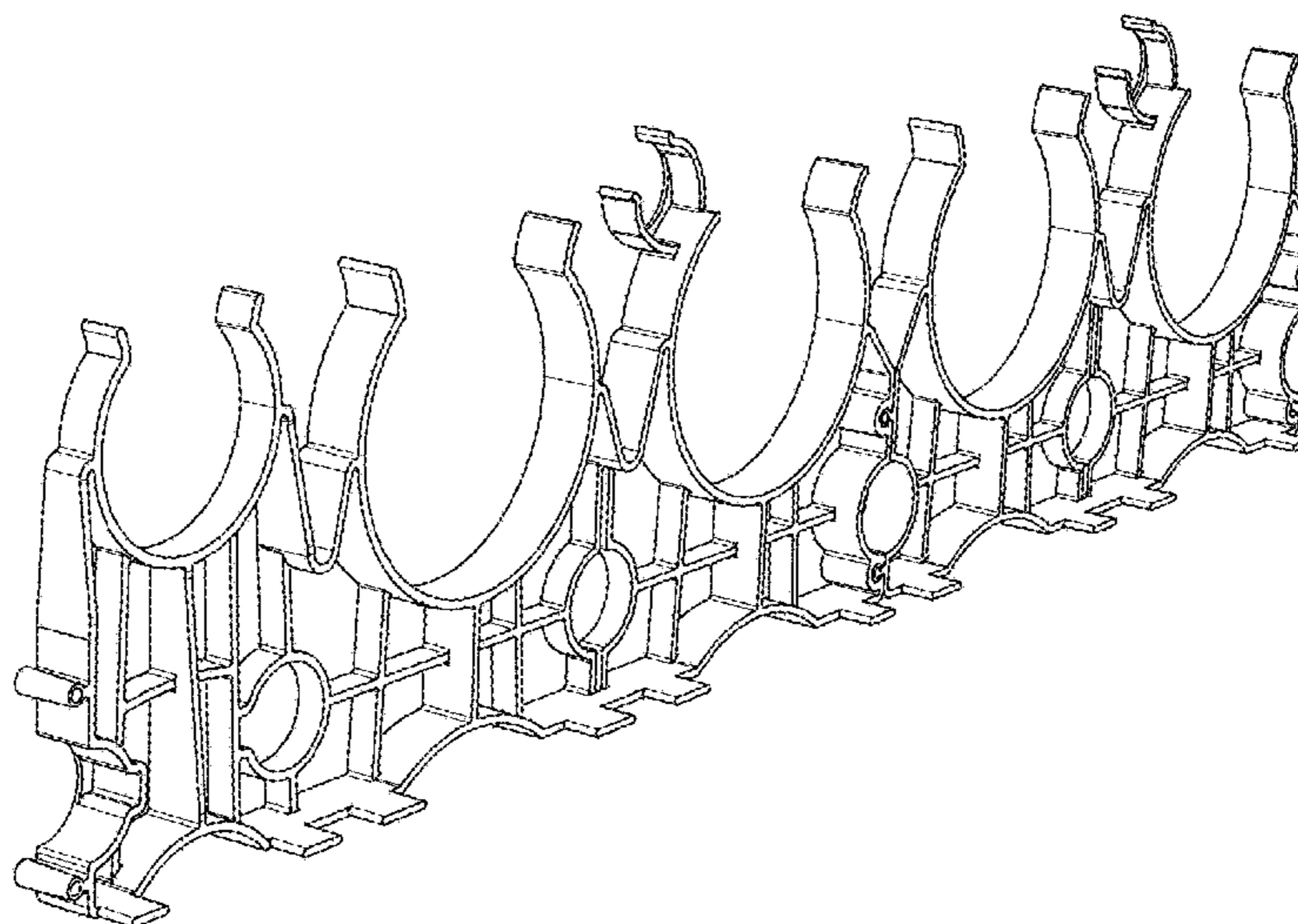
(57) **CLAIM**

The ornamental design for a duct spacer, as shown and described.

DESCRIPTION

FIG. 1 is a front perspective view of a duct spacer showing my new design;
FIG. 2 is a front elevational view thereof
FIG. 3 is a top plan view thereof;
FIG. 4 is a right side elevational view thereof;
FIG. 5 is a rear elevational view thereof;
FIG. 6 is a bottom plan view thereof; and,
FIG. 7 is a left side elevational view thereof.

1 Claim, 3 Drawing Sheets



(56)

References Cited

U.S. PATENT DOCUMENTS

| | | | |
|--------------|----|---------|----------------|
| 6,378,811 | B1 | 4/2002 | Potter |
| 7,080,864 | B2 | 7/2006 | Casteran |
| 7,223,052 | B1 | 5/2007 | Evans |
| 7,806,629 | B2 | 10/2010 | McCoy |
| 7,828,251 | B2 | 11/2010 | Tollefson |
| 7,942,371 | B1 | 5/2011 | McCoy |
| 8,020,811 | B2 | 9/2011 | Nelson |
| 8,074,945 | B2 | 12/2011 | Schoenau |
| 8,294,030 | B2 | 10/2012 | Pollard, Jr. |
| 8,342,474 | B2 | 1/2013 | Gilbreath |
| 8,783,631 | B2 | 7/2014 | McCoy |
| 8,876,068 | B2 | 11/2014 | McCoy |
| 8,985,529 | B2 | 3/2015 | Masters et al. |
| 9,038,967 | B2 | 5/2015 | Stuck |
| 2009/0224111 | A1 | 9/2009 | Gilbreath |

OTHER PUBLICATIONS

Design U.S. Appl. No. 29/555,344, filed Feb. 20, 2016, Donald P. McCoy.

Design U.S. Appl. No. 29/555,345, filed Feb. 20, 2016, Donald P. McCoy.

Design U.S. Appl. No. 29/555,347, filed Feb. 20, 2016, Donald P. McCoy.

Design U.S. Appl. No. 29/568,473, filed Jun. 18, 2016, Donald P. McCoy.

Design U.S. Appl. No. 29/568,474, filed Jun. 18, 2016, Donald P. McCoy.

Design U.S. Appl. No. 29/568,475, filed Jun. 18, 2016, Donald P. McCoy.

Design U.S. Appl. No. 29/568,476, filed Jun. 18, 2016, Donald P. McCoy.

Design U.S. Appl. No. 29/568,477, filed Jun. 18, 2016, Donald P. McCoy.

Design U.S. Appl. No. 29/568,479, filed Jun. 18, 2016, Donald P. McCoy.

Design U.S. Appl. No. 29/568,480, filed Jun. 18, 2016, Donald P. McCoy.

Design U.S. Appl. No. 29/568,481, filed Jun. 18, 2016, Donald P. McCoy.

Carlton snap-n-stac combo spacers, Apr. 2010, 6 pages.

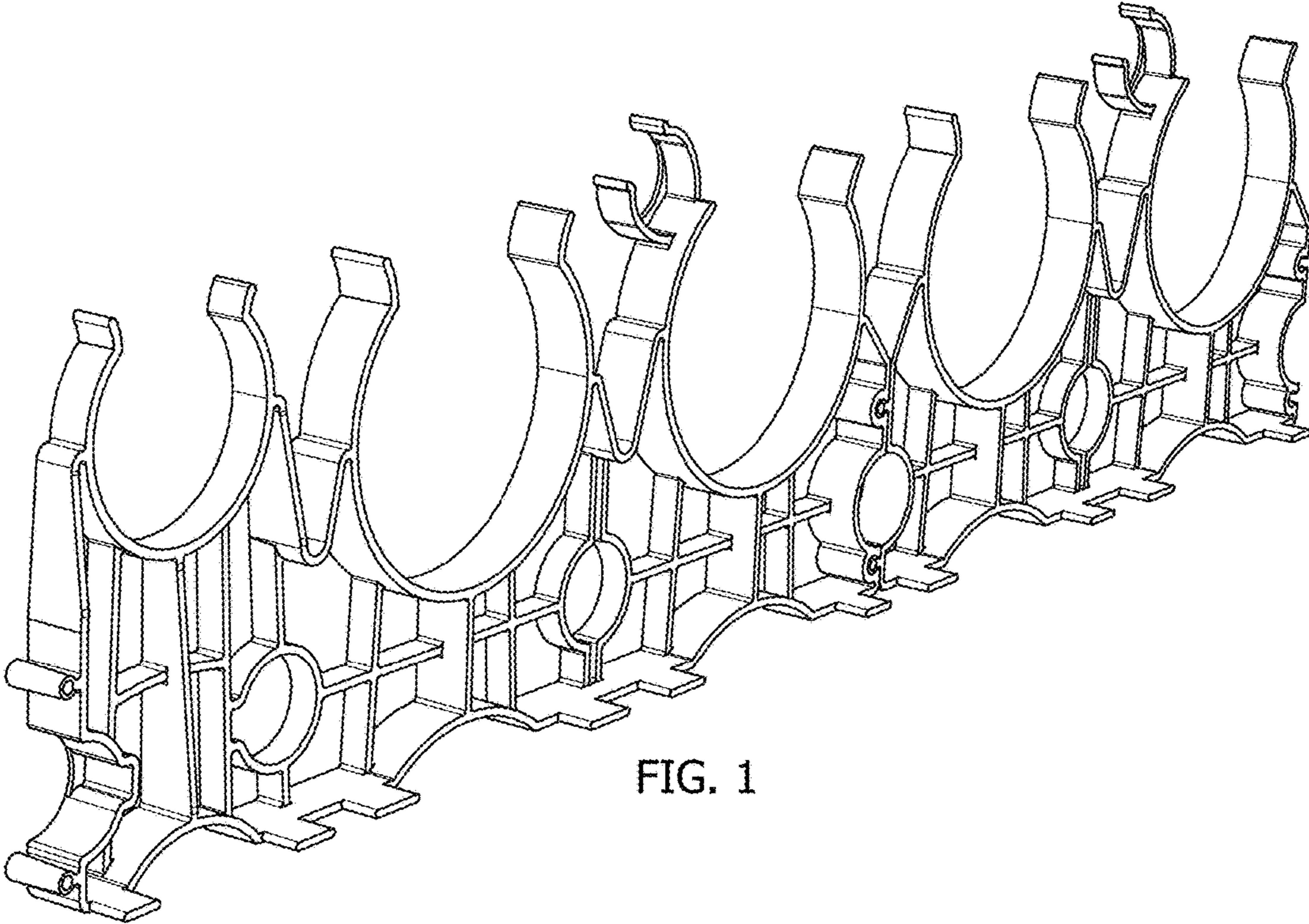


FIG. 1

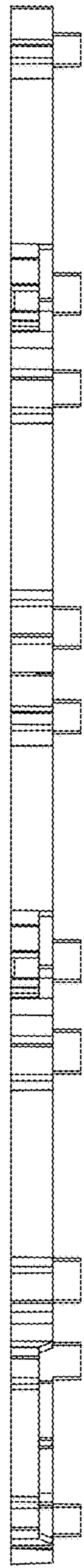


FIG. 3

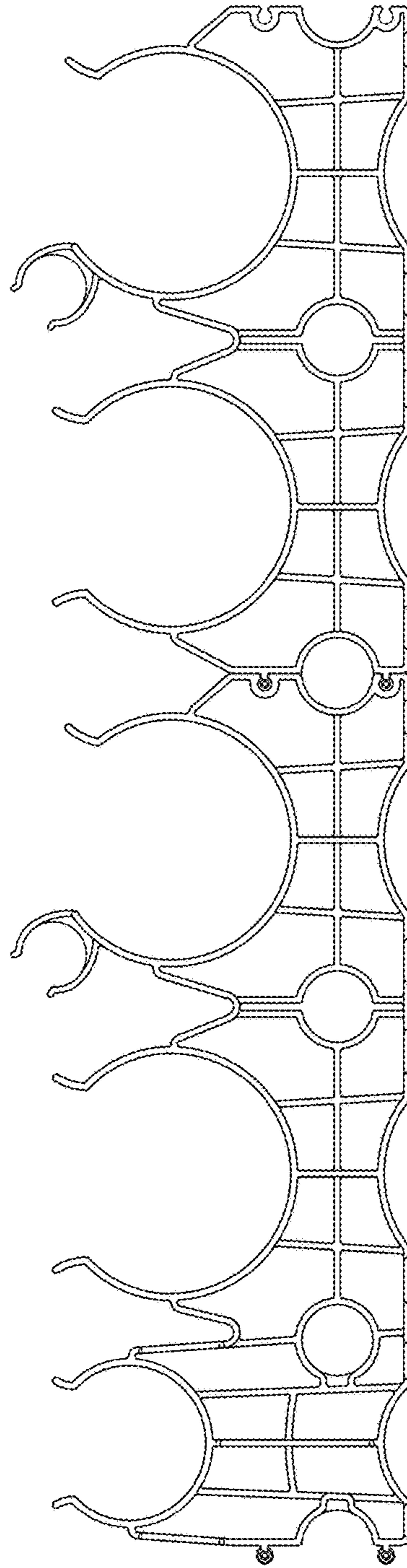


FIG. 2

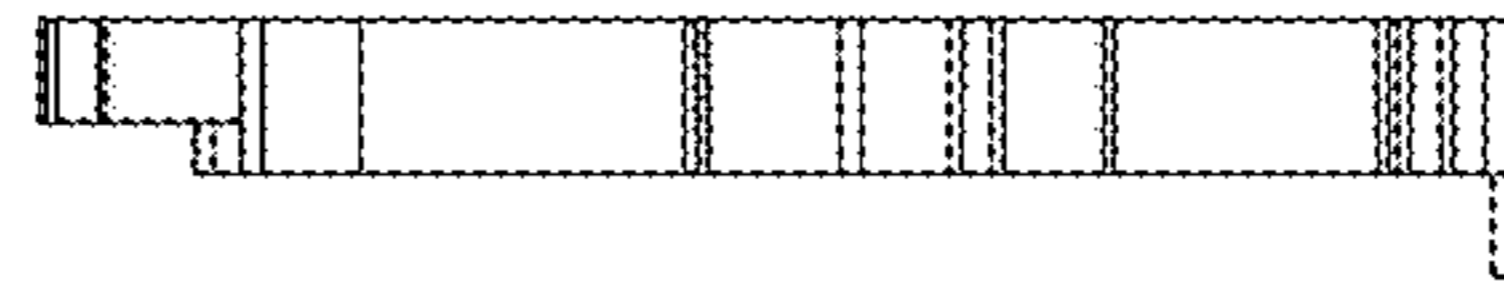


FIG. 4

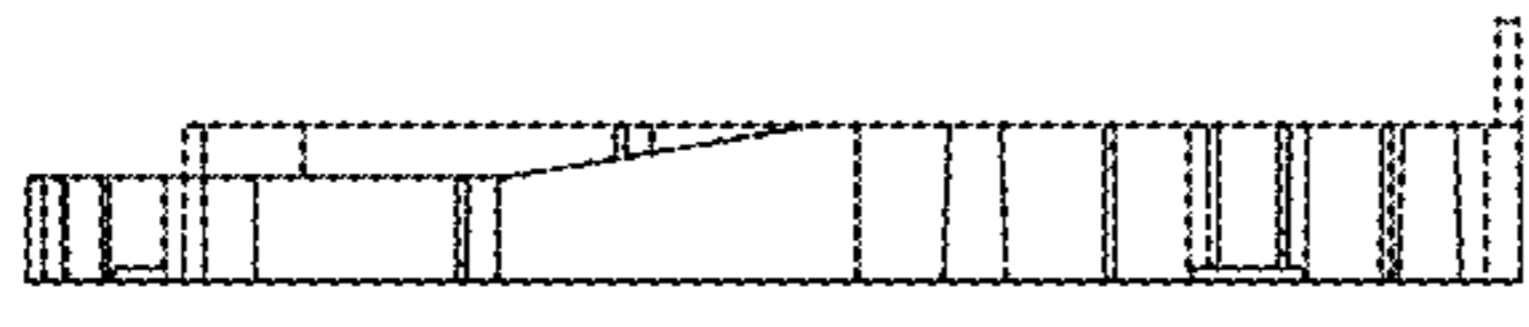


FIG. 7

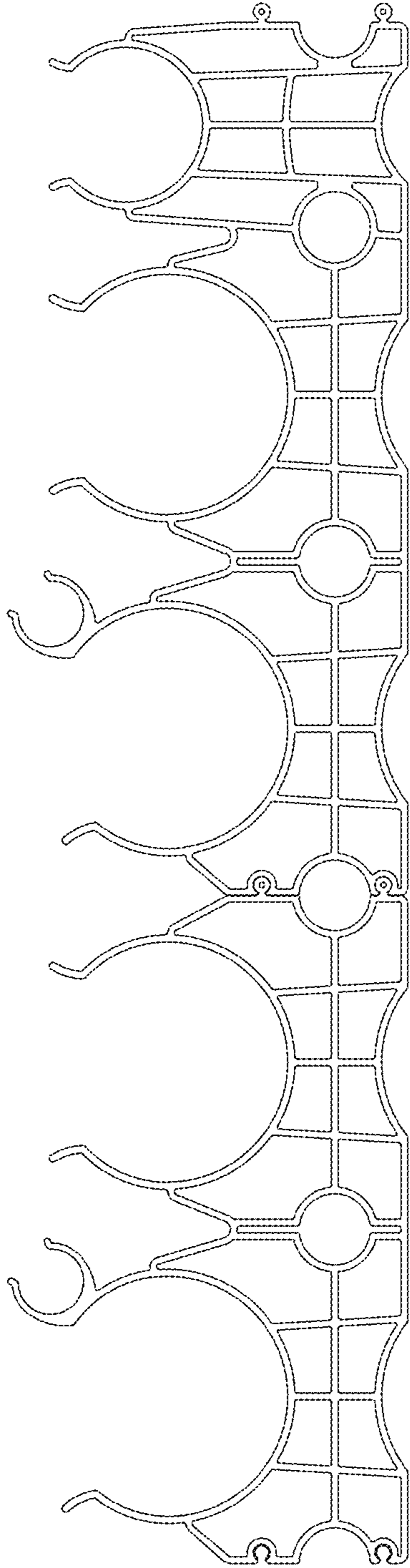


FIG. 5

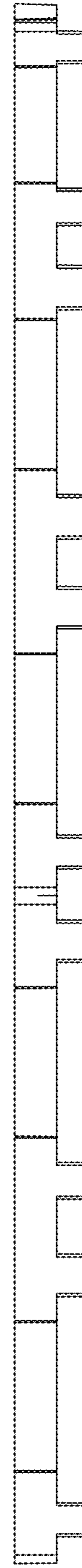


FIG. 6