



US00D794432S

(12) **United States Design Patent** (10) **Patent No.:** **US D794,432 S**
Crawley et al. (45) **Date of Patent:** **** Aug. 15, 2017**

(54) **WALL MOUNTING DEVICE**

(71) Applicant: **TENSATOR GROUP LIMITED**,
Milton Keynes (GB)

(72) Inventors: **Peter Crawley**, Newport Pagnell (GB);
Tommy Coe, Milton Keynes (GB)

(**) Term: **15 Years**

(21) Appl. No.: **35/501,072**

(22) Filed: **May 13, 2016**

(80) **Hague Agreement Data**
 Int. Filing Date: **May 13, 2016**
 Int. Reg. No.: **DM/090886**
 Int. Reg. Date: **May 13, 2016**
 Int. Reg. Pub. Date: **Jun. 10, 2016**

(51) **LOC (10) Cl.** **08-08**

(52) **U.S. Cl.**
 USPC **D8/373**

(58) **Field of Classification Search**
 USPC D8/349, 354, 373, 382; D11/182;
 D29/130
 CPC F16M 13/00; F16M 13/02; F16B 11/00;
 F16B 11/002; F16B 5/00; H05K 3/303
 See application file for complete search history.

(56) **References Cited**

U.S. PATENT DOCUMENTS

| | | | |
|-------------------|---------|---------------|-----------------------|
| 4,655,708 A * | 4/1987 | Fujita | A61C 7/285 433/10 |
| D450,233 S * | 11/2001 | Ward | D8/373 |
| D565,395 S * | 4/2008 | Moore | D8/354 |
| D612,708 S * | 3/2010 | Fattori | D8/355 |
| 2005/0181646 A1 * | 8/2005 | Bruno | H05K 3/303 439/101 |
| 2017/0088203 A1 * | 3/2017 | Penkov | F16C 17/02 |

* cited by examiner

Primary Examiner — Mary Ann Calabrese

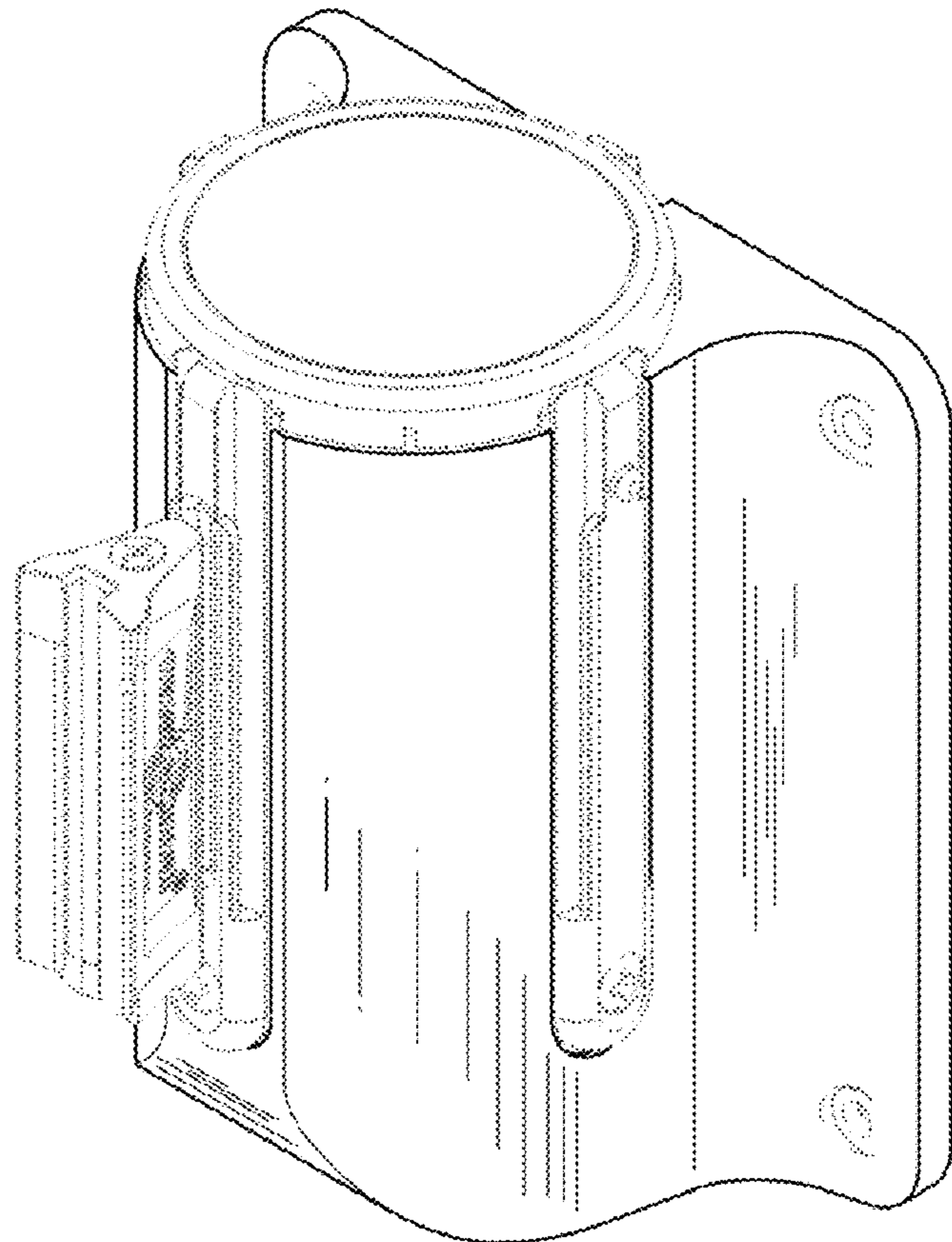
(57) **CLAIM**
 The ornamental design for a wall mounting device, as shown and described.

DESCRIPTION

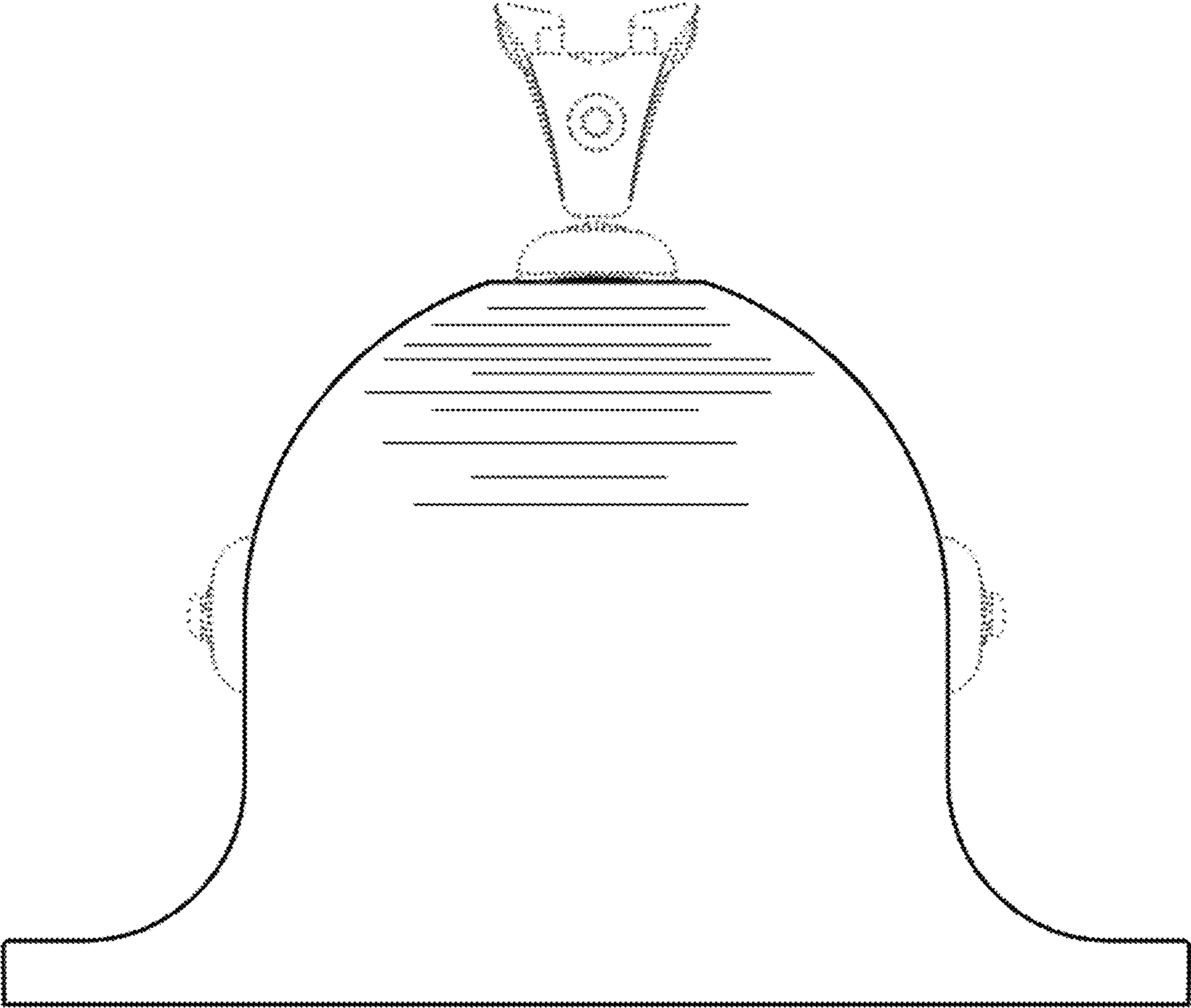
1. Wall mounting device
 1.1 : Bottom
 1.2 : Front
 1.3 : Left
 1.4 : Top
 1.5 : Right
 1.6 : Perspective

In the drawings, the broken lines show portions of the wall mounting device that form no part of the claimed design.

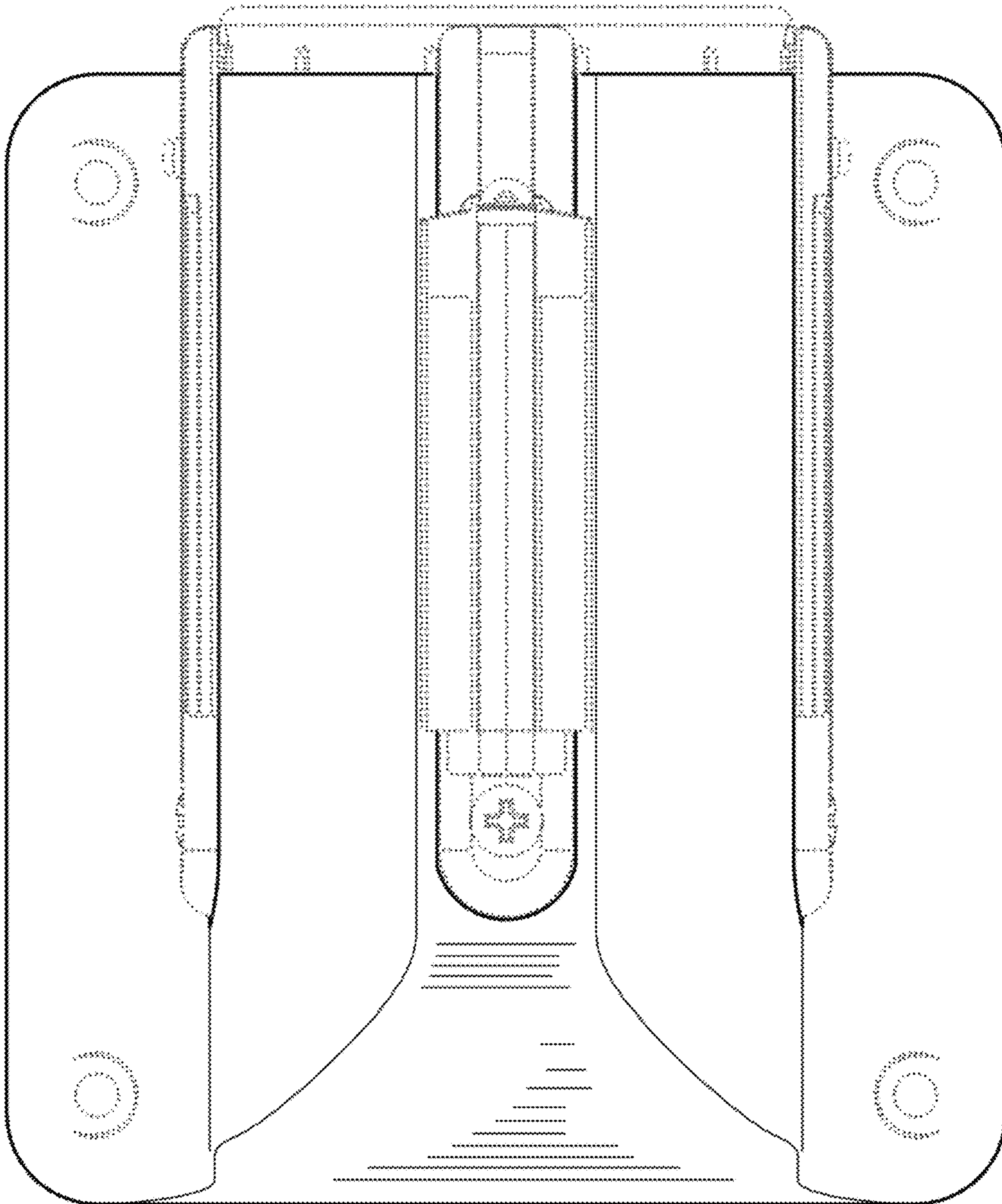
1 Claim, 6 Drawing Sheets



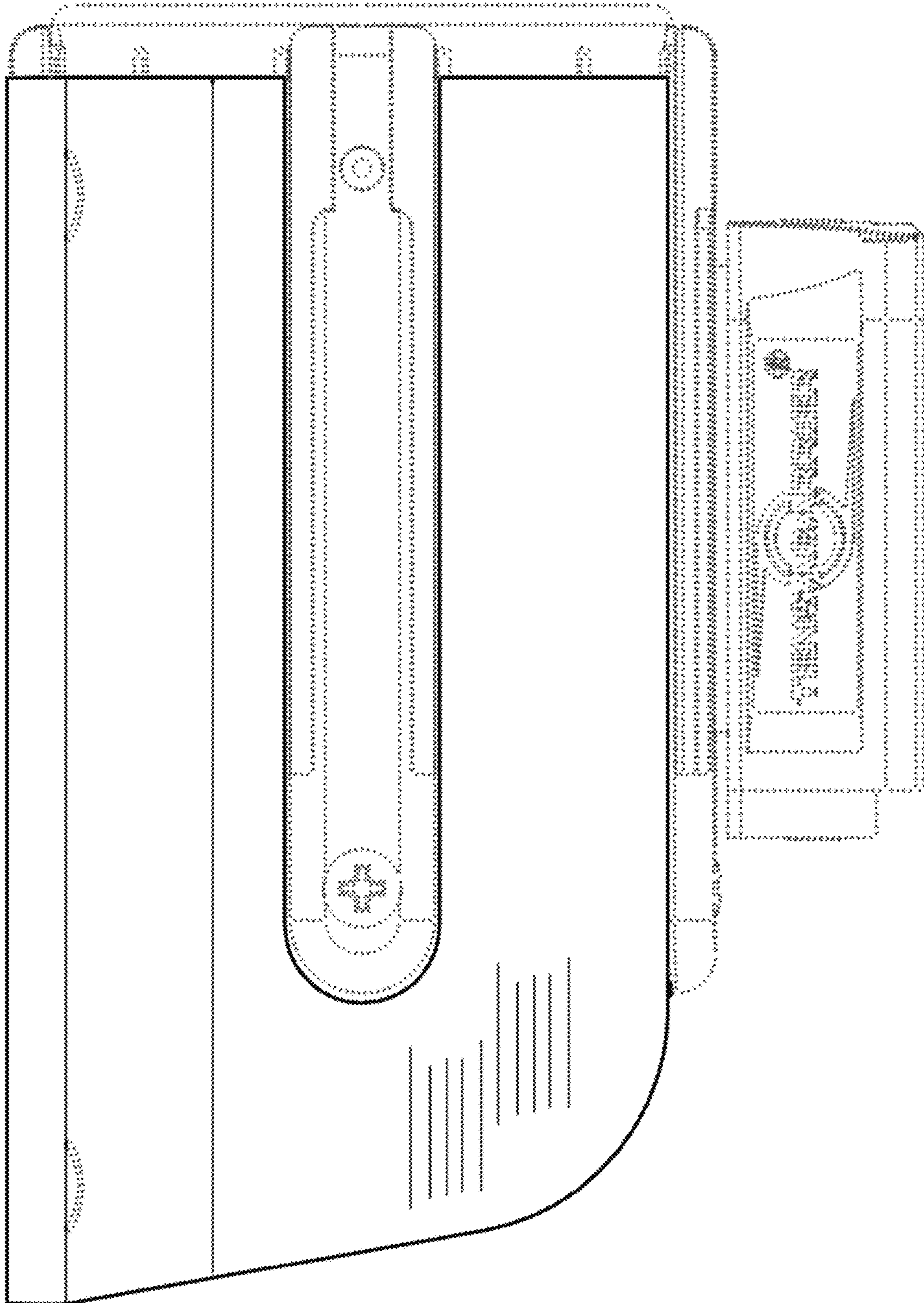
1.1



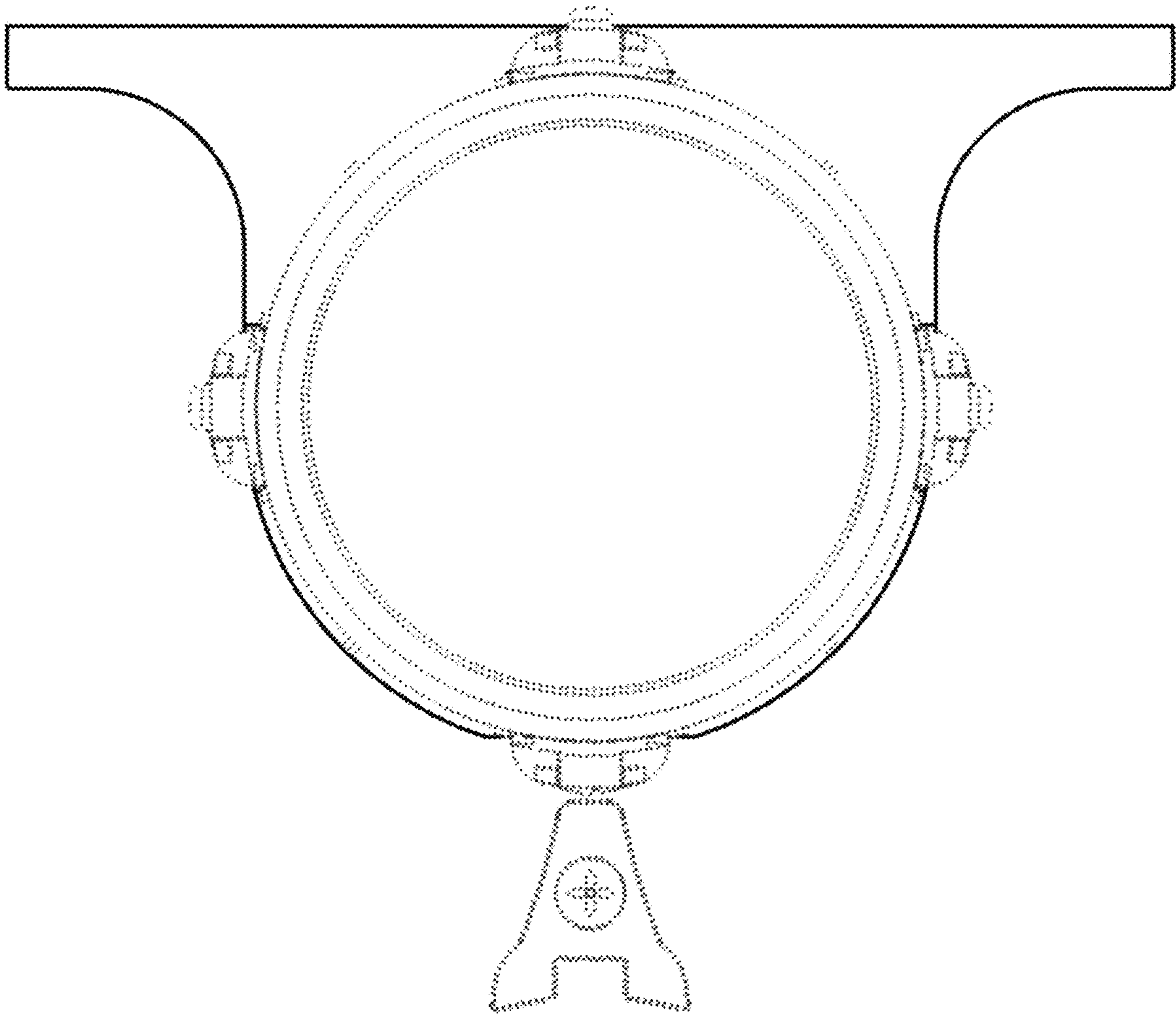
1.2



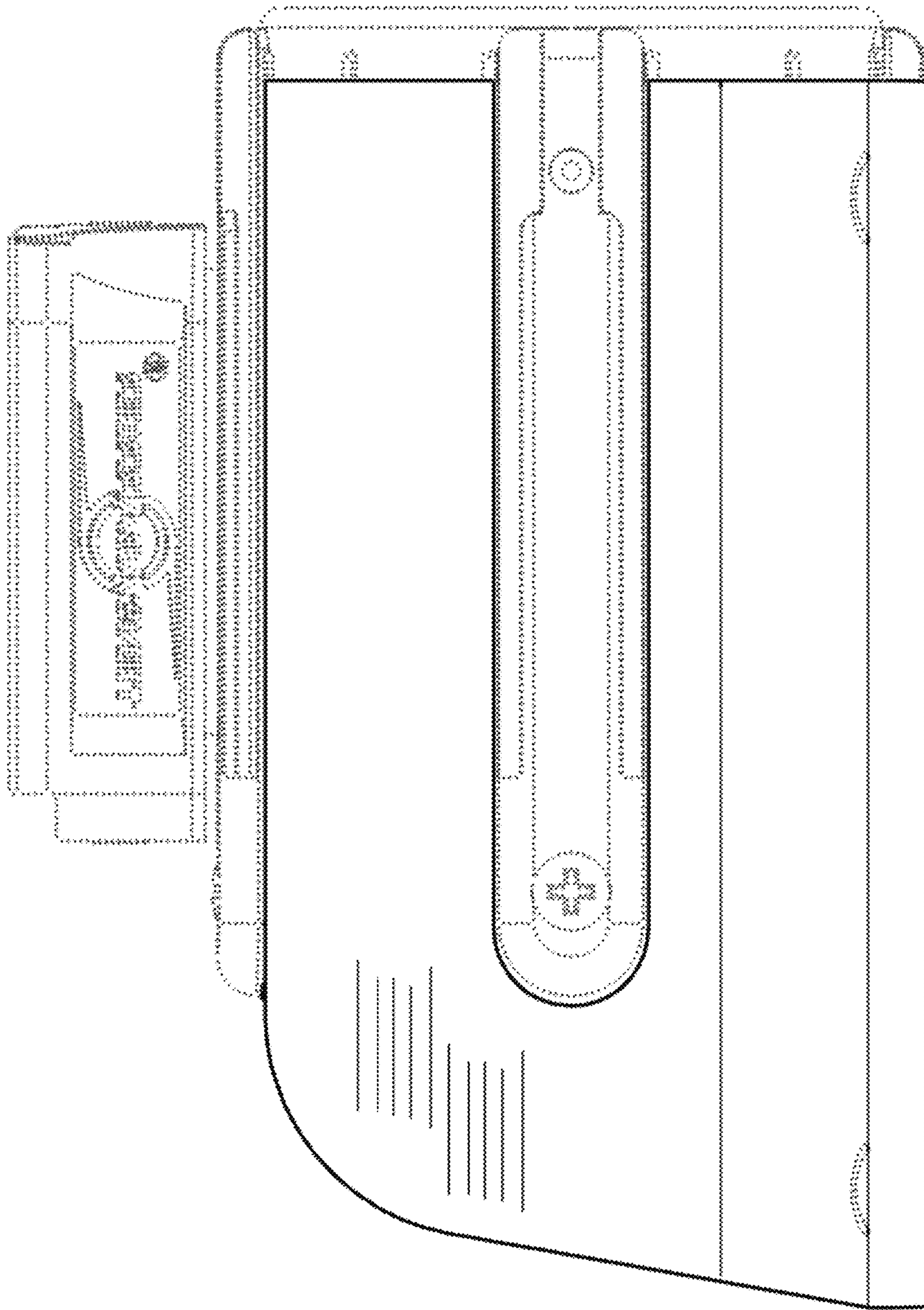
1.3



1.4



1.5



1.6

