



US00D794430S

(12) **United States Design Patent** (10) **Patent No.:** **US D794,430 S**  
**Brandenburg** (45) **Date of Patent:** **\*\* Aug. 15, 2017**

(54) **ARTICLE HANGER**  
(71) Applicant: **Loren Olepi Brandenburg**, Stafford Springs, CT (US)  
(72) Inventor: **Loren Olepi Brandenburg**, Stafford Springs, CT (US)  
(\*\*) Term: **15 Years**  
(21) Appl. No.: **29/572,663**  
(22) Filed: **Jul. 29, 2016**  
(51) **LOC (10) Cl.** ..... **08-05**  
(52) **U.S. Cl.**  
USPC ..... **D8/367**  
(58) **Field of Classification Search**  
USPC ..... D8/367, 354, 349, 394, 372; D3/228; 224/247, 197  
CPC ..... F16L 3/13; F16L 3/26; A47G 23/0225; A47G 25/06; A47G 1/16; A47F 5/0846; A47F 5/02; H02G 11/003; D06F 5/00; E04H 17/10; A45F 5/02  
See application file for complete search history.

(56) **References Cited**

**U.S. PATENT DOCUMENTS**

3,966,157 A \* 6/1976 Corral ..... A47G 1/20 248/217.3  
D393,795 S \* 4/1998 Bernstein ..... D8/373  
D601,880 S \* 10/2009 Veilleux ..... D8/367  
D614,995 S \* 5/2010 Pontaoe ..... D11/212  
D629,673 S \* 12/2010 Shaha ..... D8/367  
8,113,476 B2 \* 2/2012 Serio ..... A47G 1/20 248/206.5  
D661,570 S \* 6/2012 Fox ..... D8/356  
8,387,217 B1 \* 3/2013 Hinds ..... A63B 21/00065 24/134 R  
D682,663 S \* 5/2013 Evon ..... D8/367  
D688,936 S \* 9/2013 Chen ..... D8/354  
D699,097 S \* 2/2014 Chung ..... D8/354

D700,829 S \* 3/2014 Nanbu ..... D8/367  
D707,110 S \* 6/2014 Veilleux ..... D8/367  
D709,355 S \* 7/2014 Berger ..... D8/356  
D712,725 S \* 9/2014 Wu ..... D8/367  
D719,438 S \* 12/2014 Veilleux ..... D8/367  
D720,985 S \* 1/2015 Veilleux ..... D8/367  
D729,046 S \* 5/2015 Paik ..... D8/367  
D735,554 S \* 8/2015 Solberg ..... D8/349  
D739,221 S \* 9/2015 Sendra-Gonzalez .. F24J 2/5203 D8/349  
D745,379 S \* 12/2015 Lindsay ..... D8/373  
D747,180 S \* 1/2016 Burcar ..... D8/367  
D756,205 S \* 5/2016 New ..... D8/367  
D764,901 S \* 8/2016 Esparza ..... D8/367  
2006/0215868 A1 \* 9/2006 Okamura ..... H04R 1/105 381/381  
2010/0164432 A1 \* 7/2010 Yang ..... H02J 7/0044 320/111  
2015/0342331 A1 \* 12/2015 Tom ..... A45F 5/021 224/666  
2017/0120839 A1 \* 5/2017 Harris ..... B60R 11/00

\* cited by examiner

*Primary Examiner* — Cynthia Underwood  
(74) *Attorney, Agent, or Firm* — Matthew J Patterson

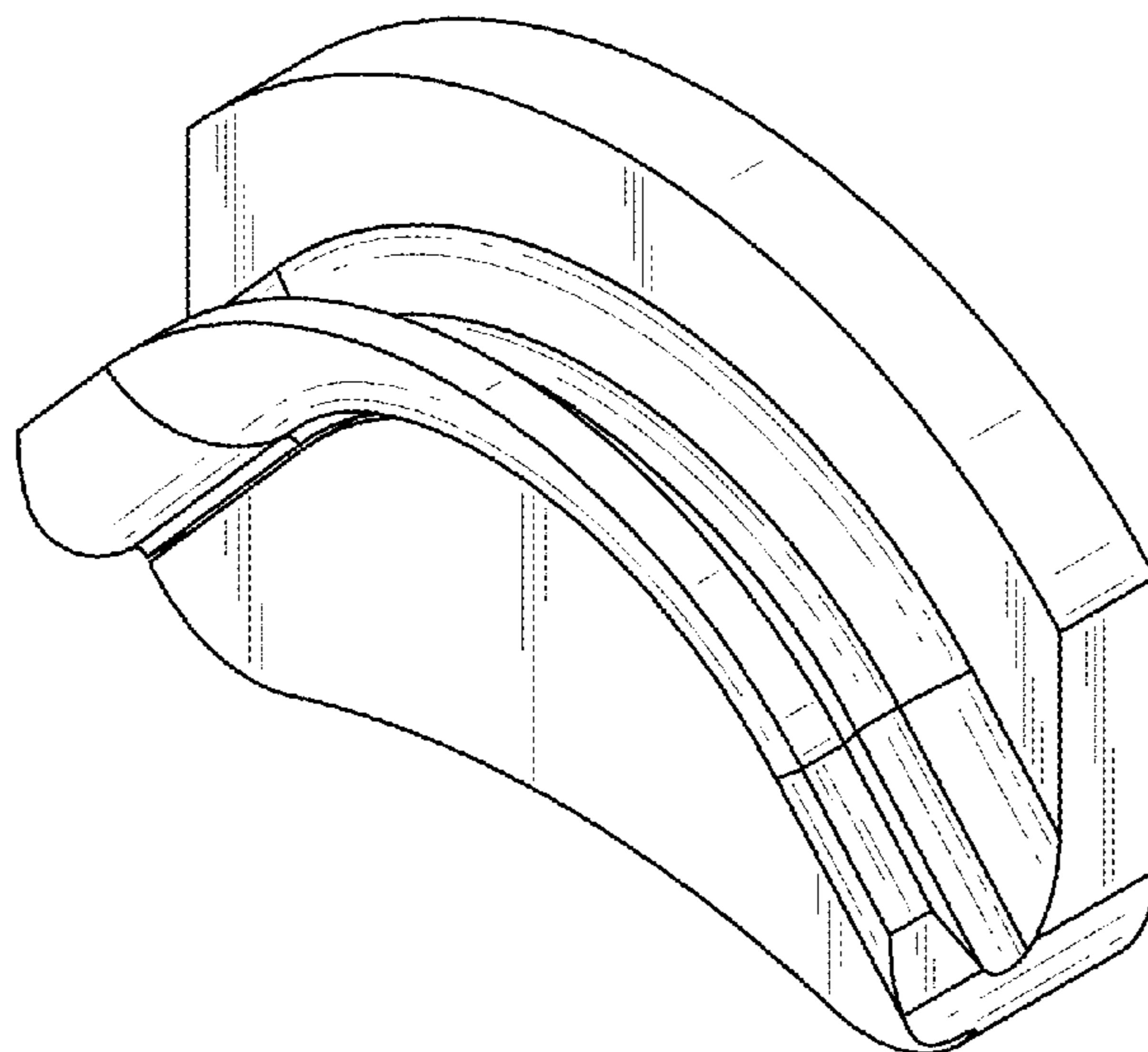
(57) **CLAIM**

The ornamental design for an article hanger, as shown and described.

**DESCRIPTION**

FIG. 1 is a front right side perspective view of the article hanger of the present invention;  
FIG. 2 is a front view thereof;  
FIG. 3 is a rear view thereof;  
FIG. 4 is a bottom view thereof;  
FIG. 5 is a top view thereof; and,  
FIG. 6 is a left side view thereof.  
The broken lines represent portions of the structure that forms no part of the claim.

**1 Claim, 2 Drawing Sheets**



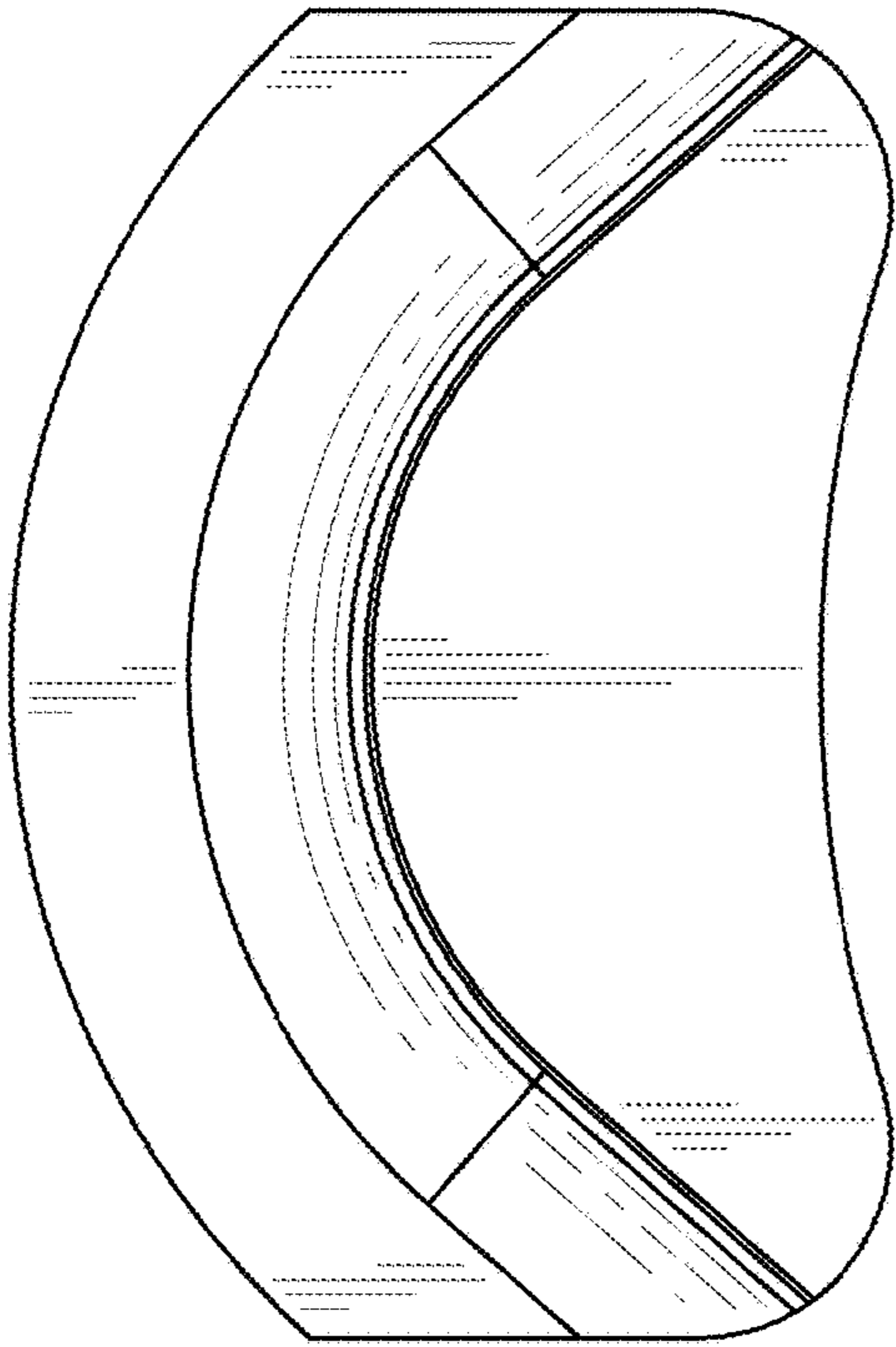


FIG. 2

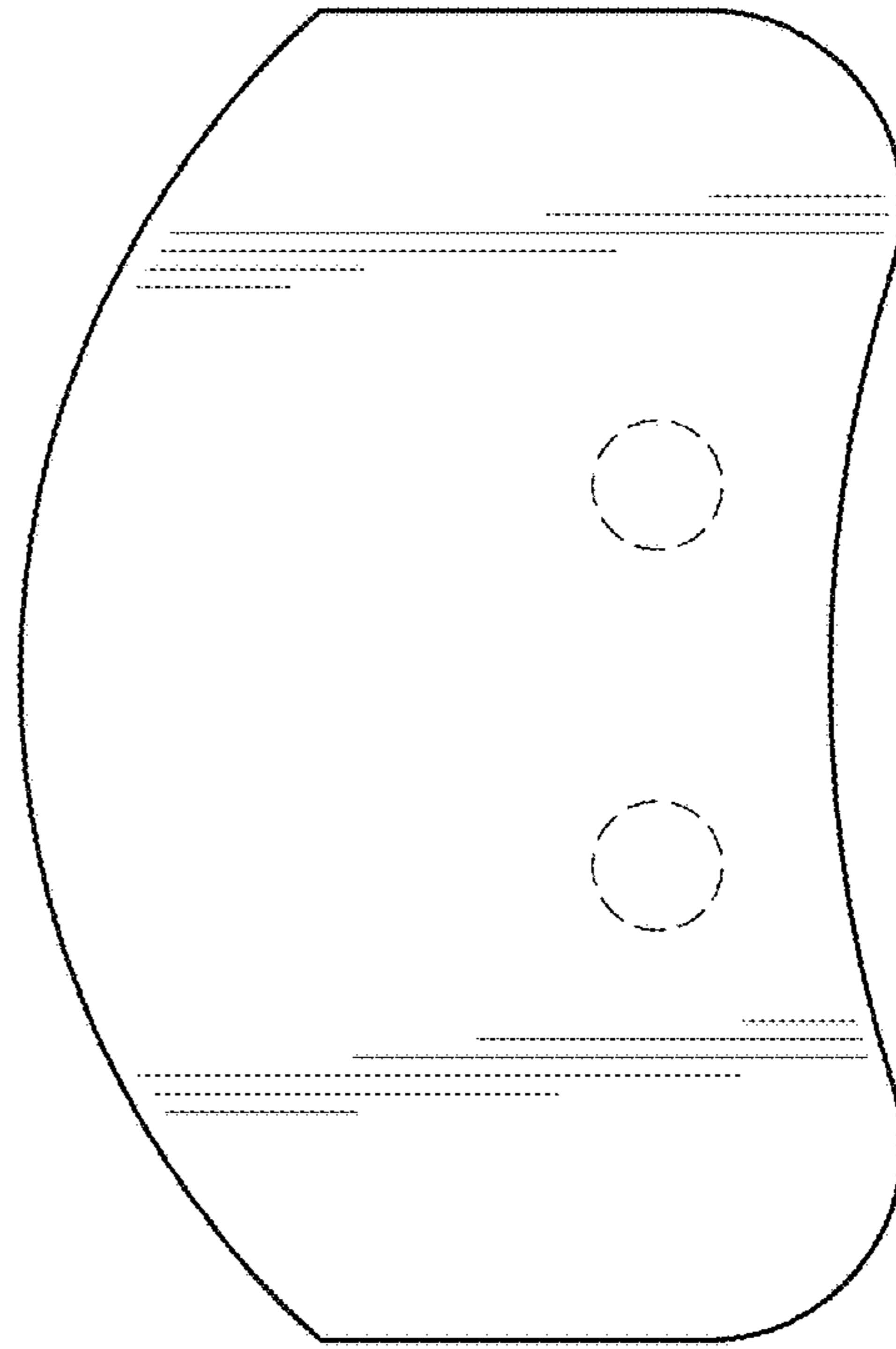


FIG. 3

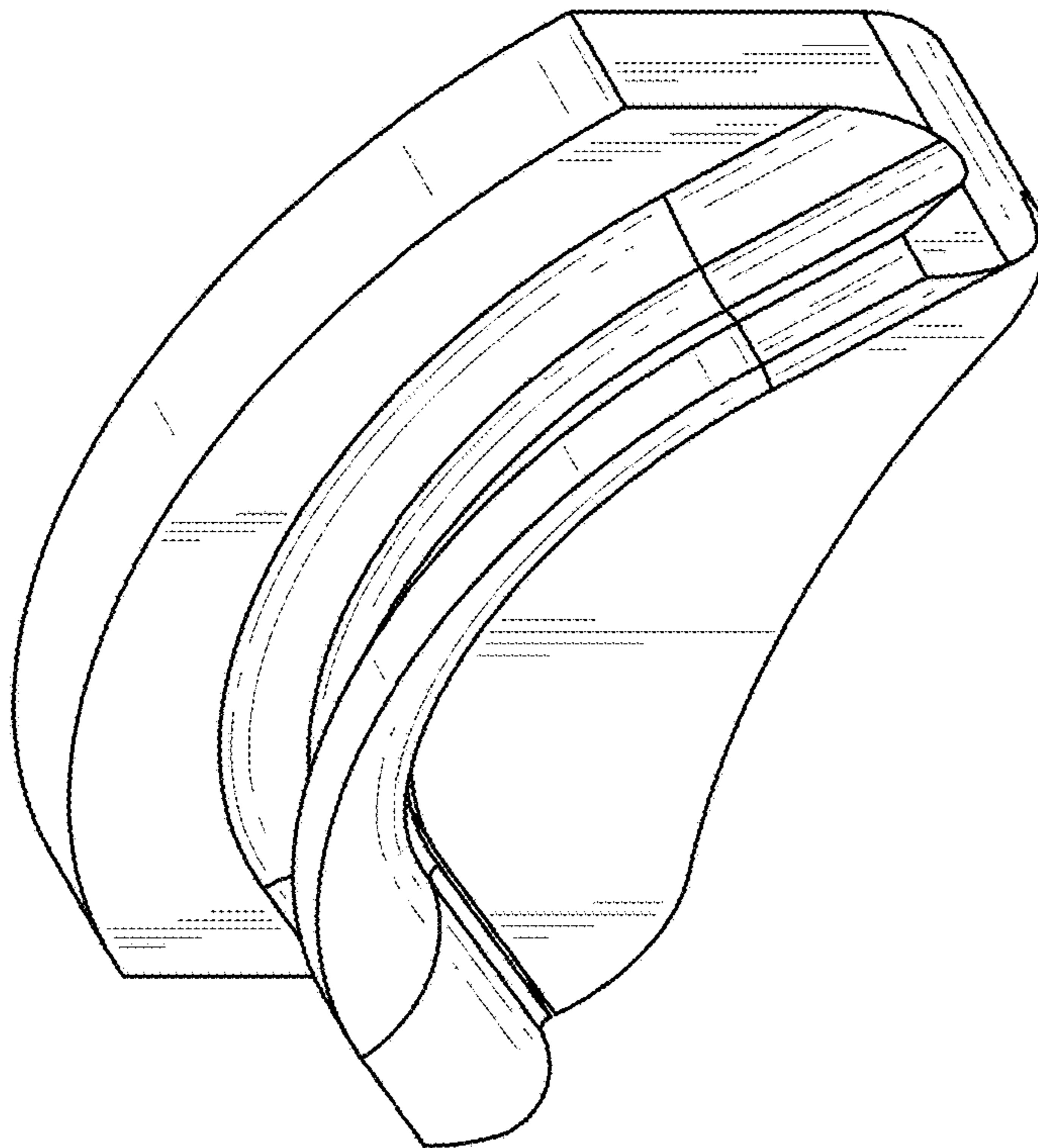
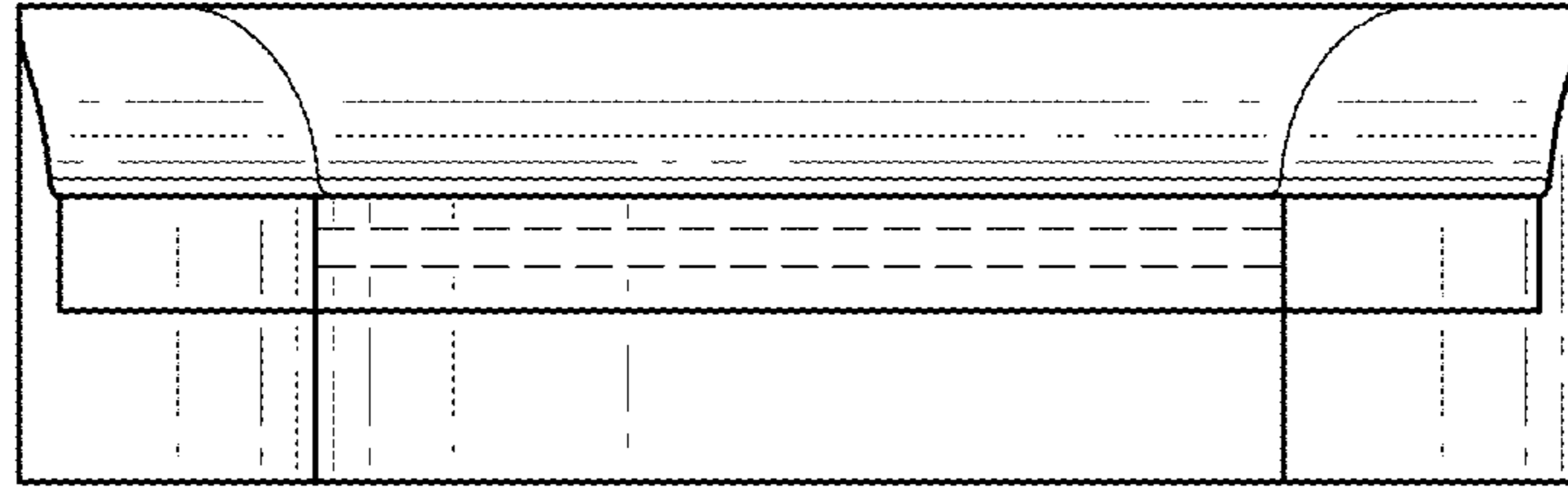
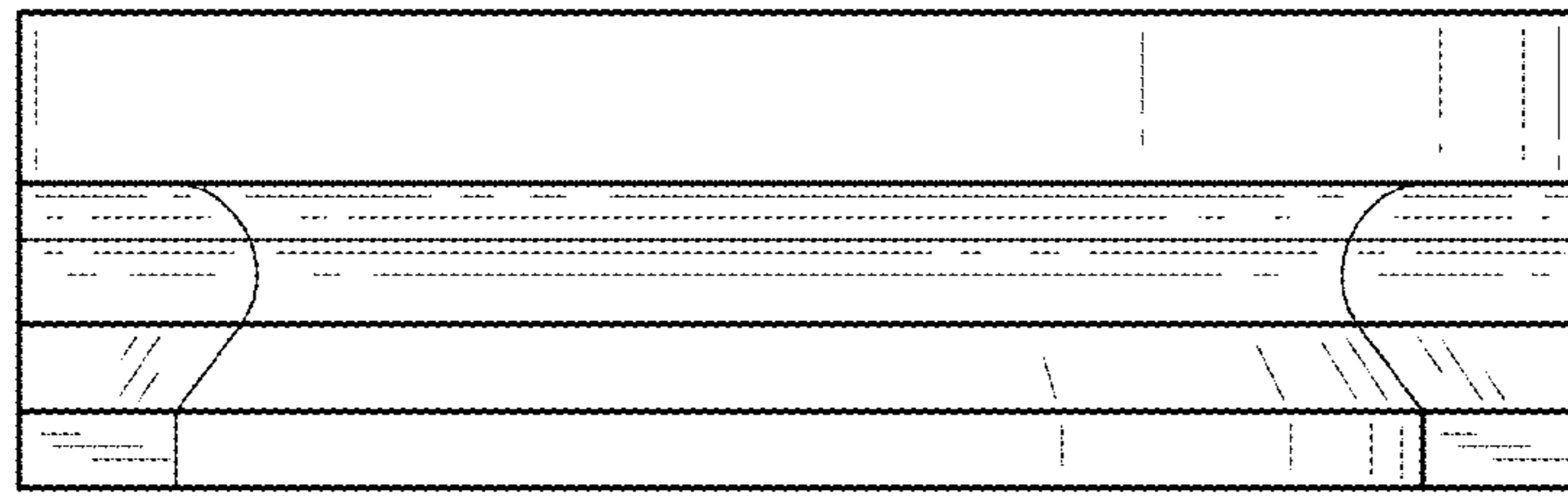


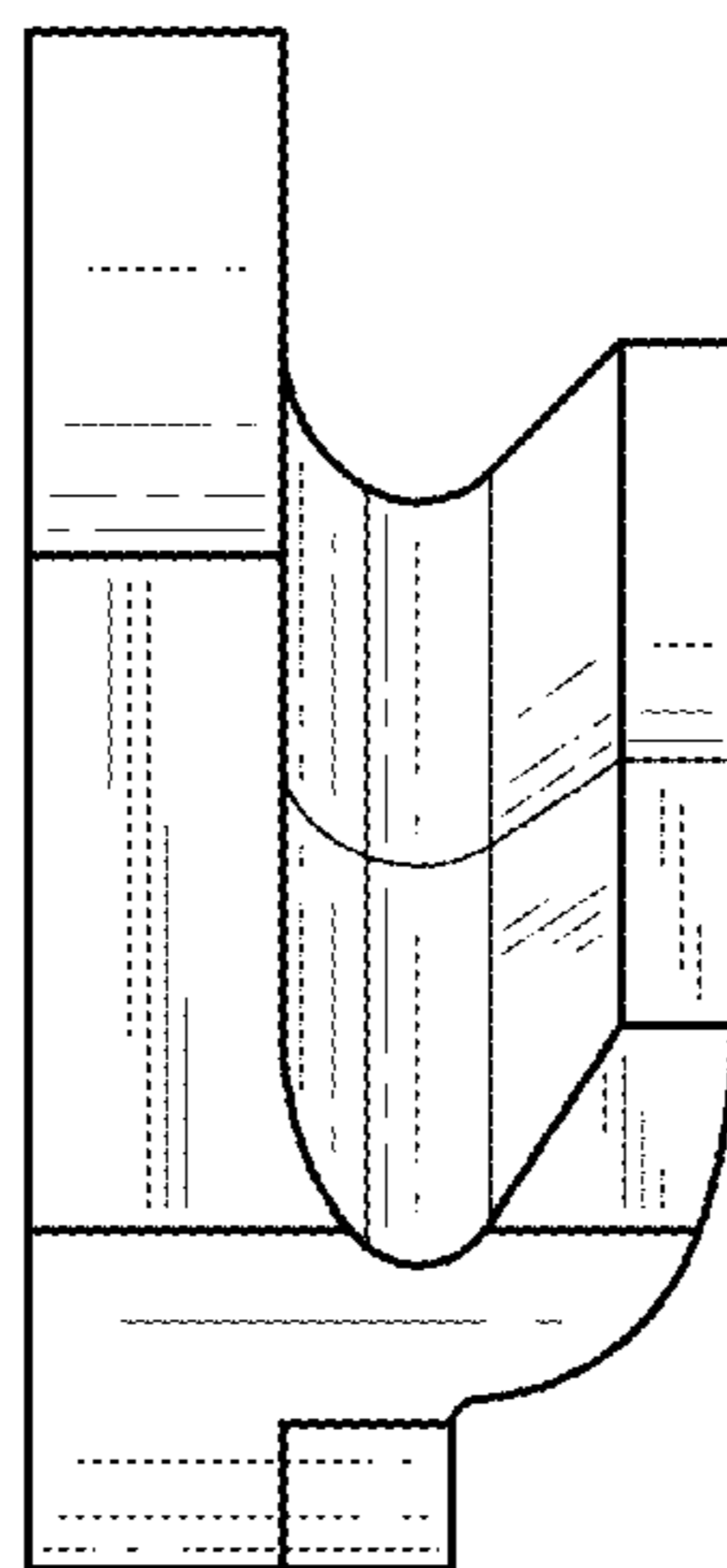
FIG. 1



*FIG. 4*



*FIG. 5*



*FIG. 6*