



US00D794429S

(12) **United States Design Patent**  
**Wang et al.**

(10) **Patent No.:** **US D794,429 S**  
(45) **Date of Patent:** **\*\* Aug. 15, 2017**

(54) **HOSE REEL**

(56) **References Cited**

(71) Applicant: **INTRADIN (SHANGHAI)**  
**MACHINERY CO., LTD.**, Shanghai  
(CN)

U.S. PATENT DOCUMENTS

(72) Inventors: **Gaofeng Wang**, Shanghai (CN);  
**Kuanjin Liu**, Shanghai (CN); **Biao**  
**Zhang**, Shanghai (CN); **Ping Li**,  
Shanghai (CN); **Xuan Guo**, Shanghai  
(CN)

D271,078 S	*	10/1983	Houghton	.....	D8/358
D271,080 S	*	10/1983	Houghton	.....	D8/358
D274,884 S	*	7/1984	Freitag	.....	D8/359
D338,610 S	*	8/1993	Johansson	.....	D8/358
D377,447 S	*	1/1997	Blye	.....	D8/358
D449,974 S	*	11/2001	Stekelenburg	.....	D8/358
D491,444 S	*	6/2004	Nicholls	.....	D8/358

\* cited by examiner

(\*\*) Term: **15 Years**

*Primary Examiner* — Robert M Spear

(21) Appl. No.: **29/544,352**

*Assistant Examiner* — Eliza Bennett-Hattan

(22) Filed: **Nov. 3, 2015**

(74) *Attorney, Agent, or Firm* — Wayne & Ken, LLC;  
Tony C. Hom

(51) **LOC (10) Cl.** ..... **08-05**

(52) **U.S. Cl.**  
USPC ..... **D8/359**

(57) **CLAIM**

(58) **Field of Classification Search**

The ornamental design for hose reel, as shown and described.

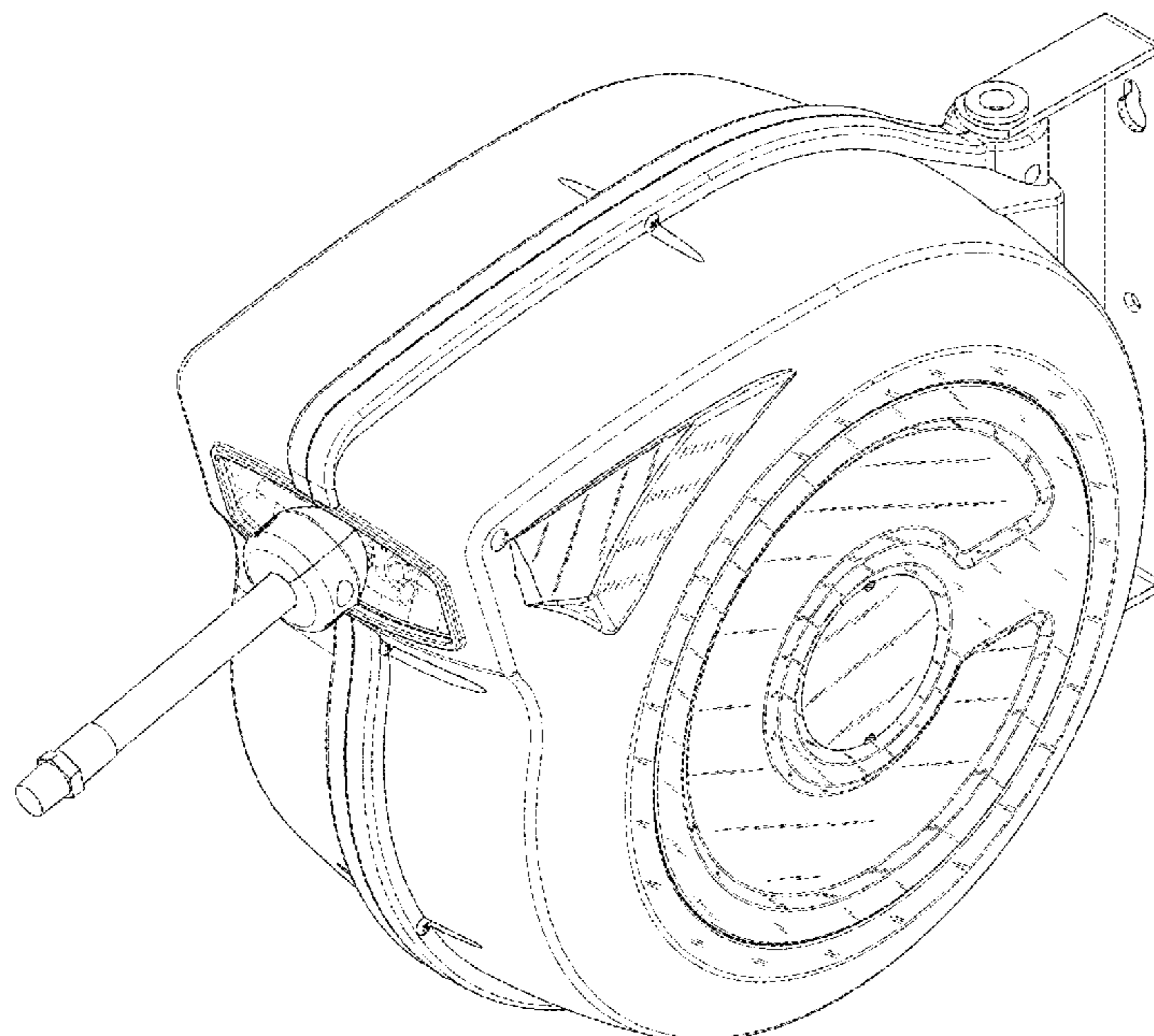
USPC ..... D8/374, 382, 354, 377, 358, 356, 359;  
D10/72, 61, 62; D12/19, 501, 204;  
D24/138; D3/318, 279, 271.12, 24;  
D15/67; D14/484; D34/27, 14, 19, 24,  
D34/25; D21/424, 425, 533, 534, 535,  
D21/536; D25/48.4; D22/140, 137;  
D13/107  
CPC ..... B65H 2701/33; B65H 75/4471; B65H  
75/4478; B65H 75/40; B65H 75/38;  
B65H 75/4402; B65H 2402/412; B65H  
75/4494; B65H 54/585; B65H 75/265;  
Y10T 137/6954; Y10T 137/6929; Y10T  
403/32975; B08B 2203/0276; A62C  
33/02

**DESCRIPTION**

FIG. 1 is perspective view showing our design;  
FIG. 2 is front view showing our design;  
FIG. 3 is a back view showing our design;  
FIG. 4 is a top view showing our design;  
FIG. 5 is a bottom view showing our design;  
FIG. 6 is a left view showing our design; and,  
FIG. 7 is a right view showing our design.  
The broken lines in the drawing depict environmental sub-  
ject matter only and form no part of the claimed design.

See application file for complete search history.

**1 Claim, 7 Drawing Sheets**



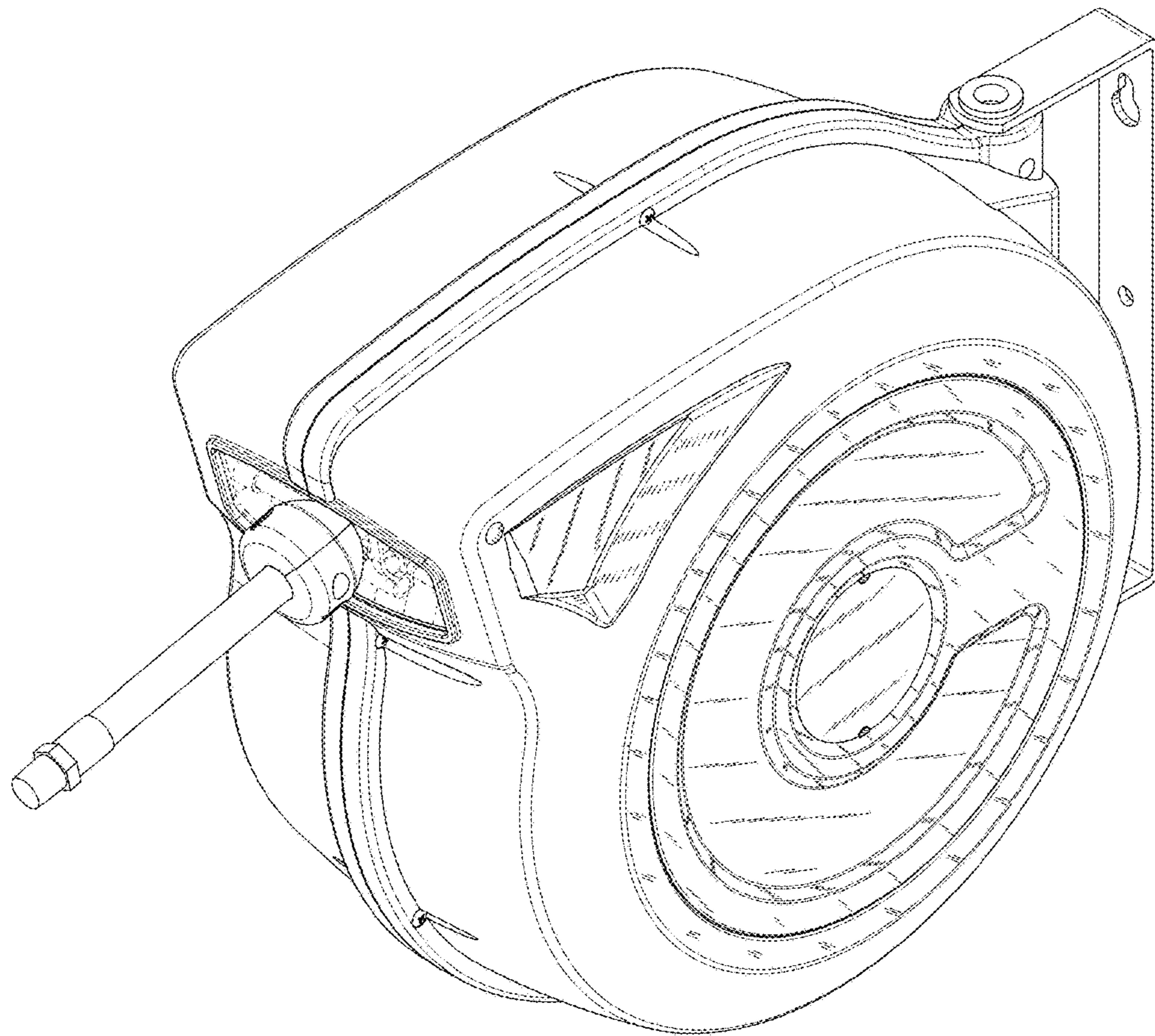


FIG .1

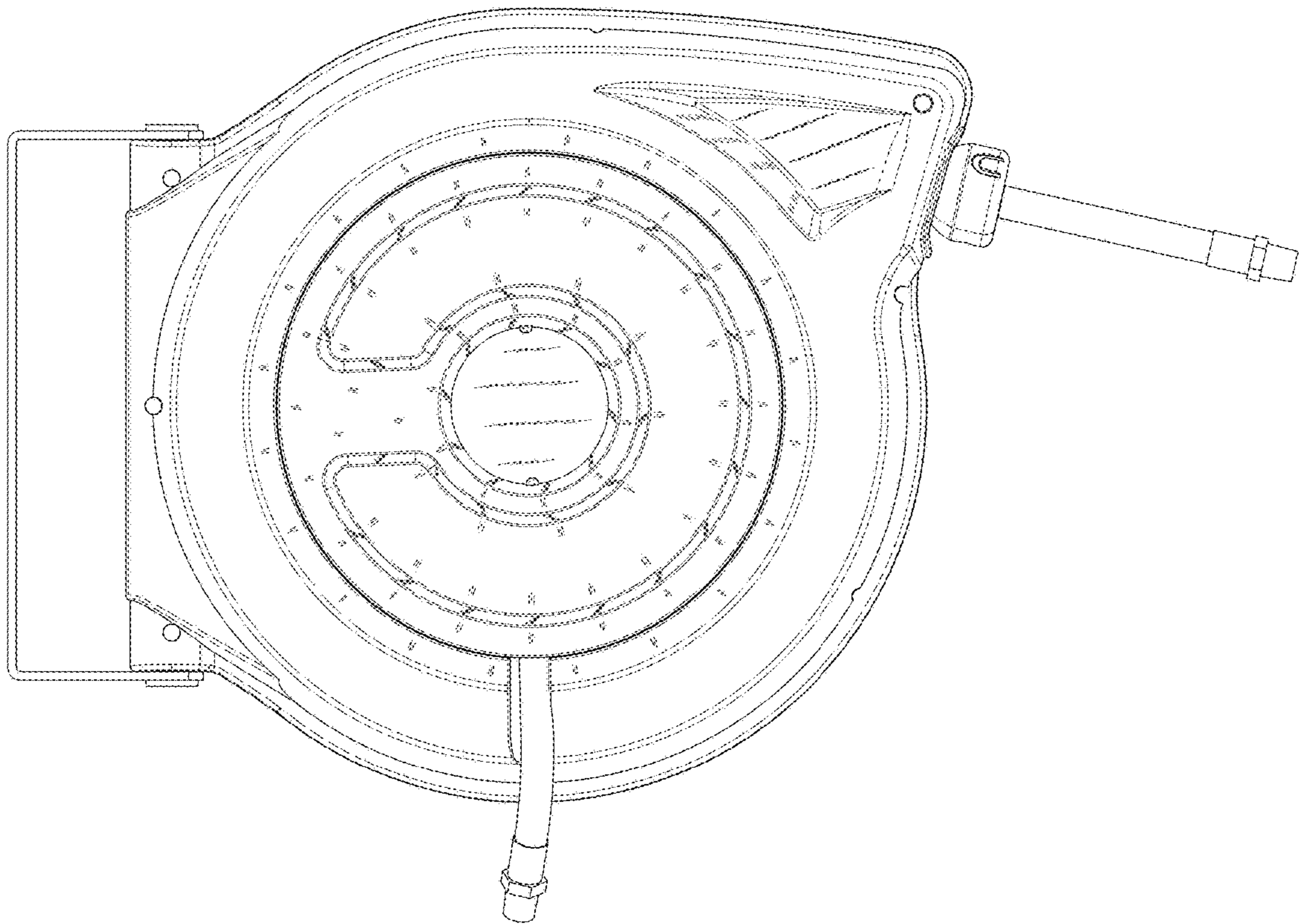


FIG .2

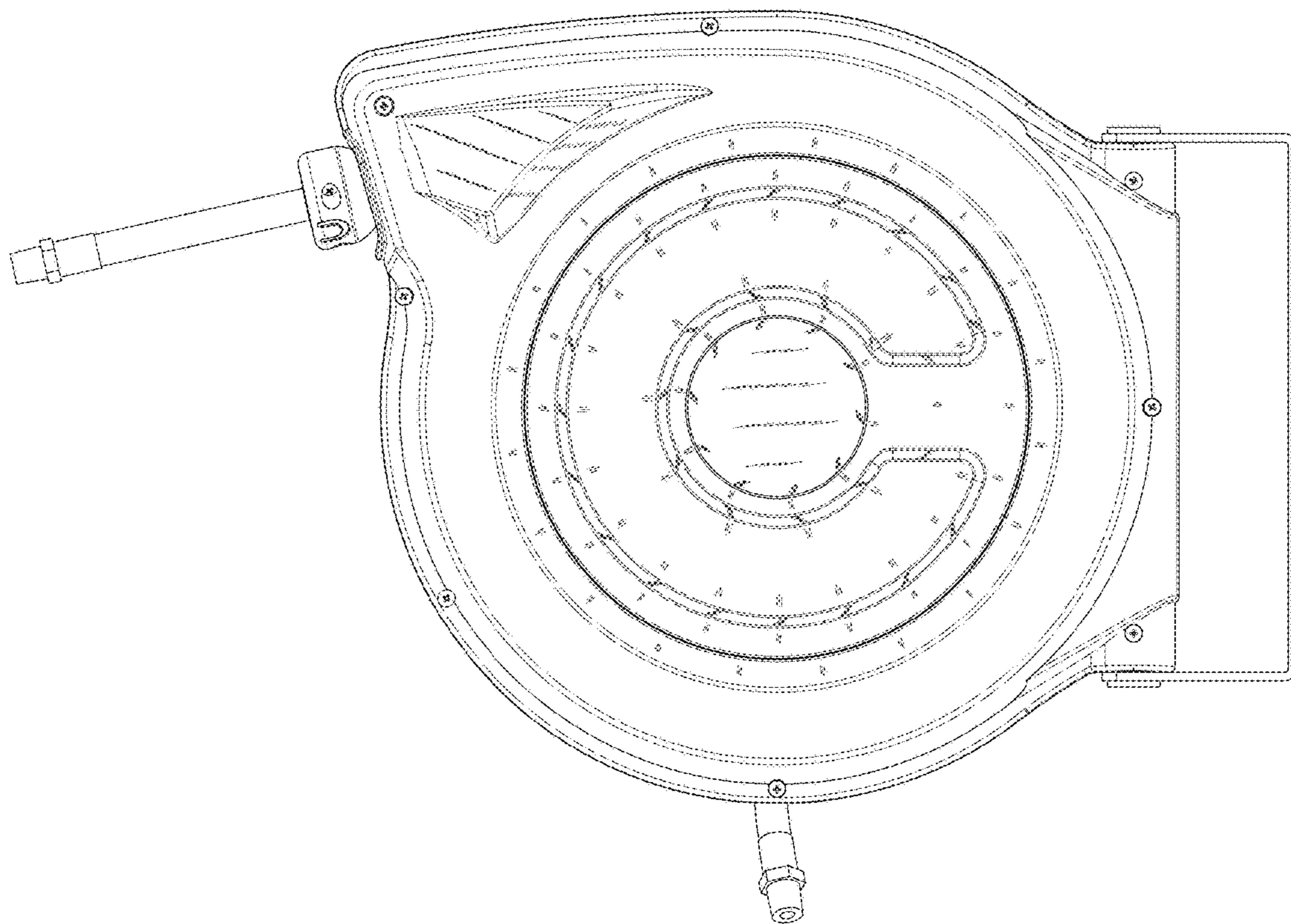


FIG .3

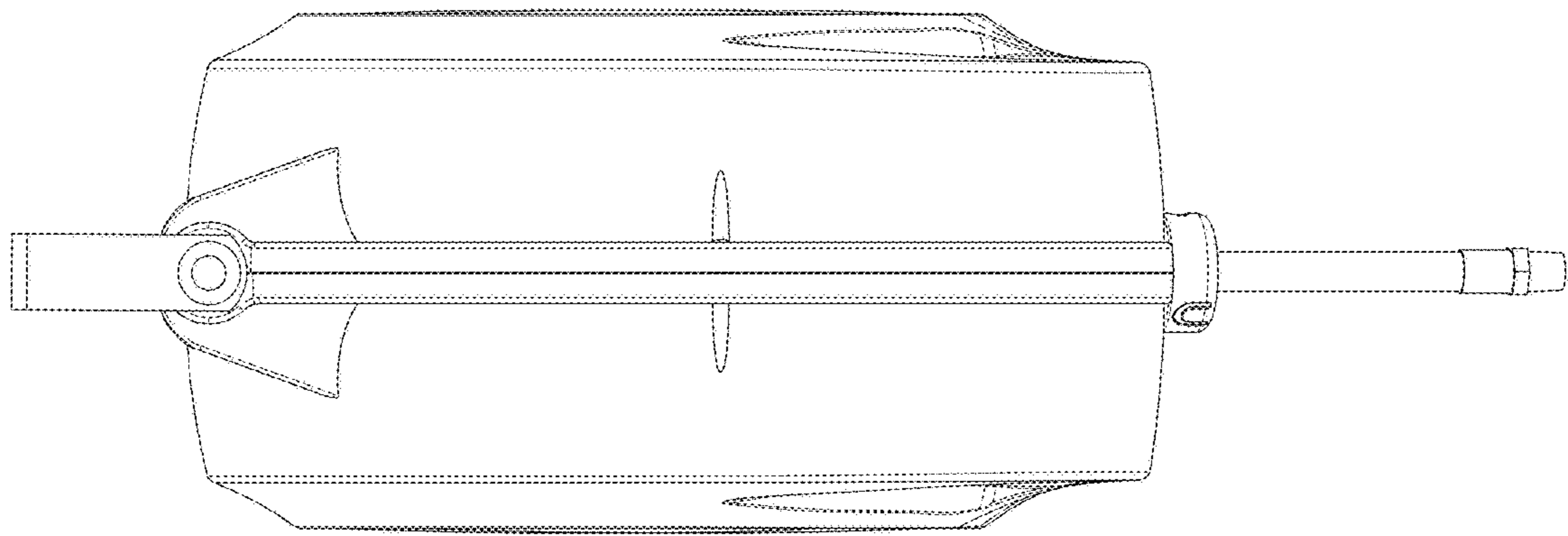


FIG .4

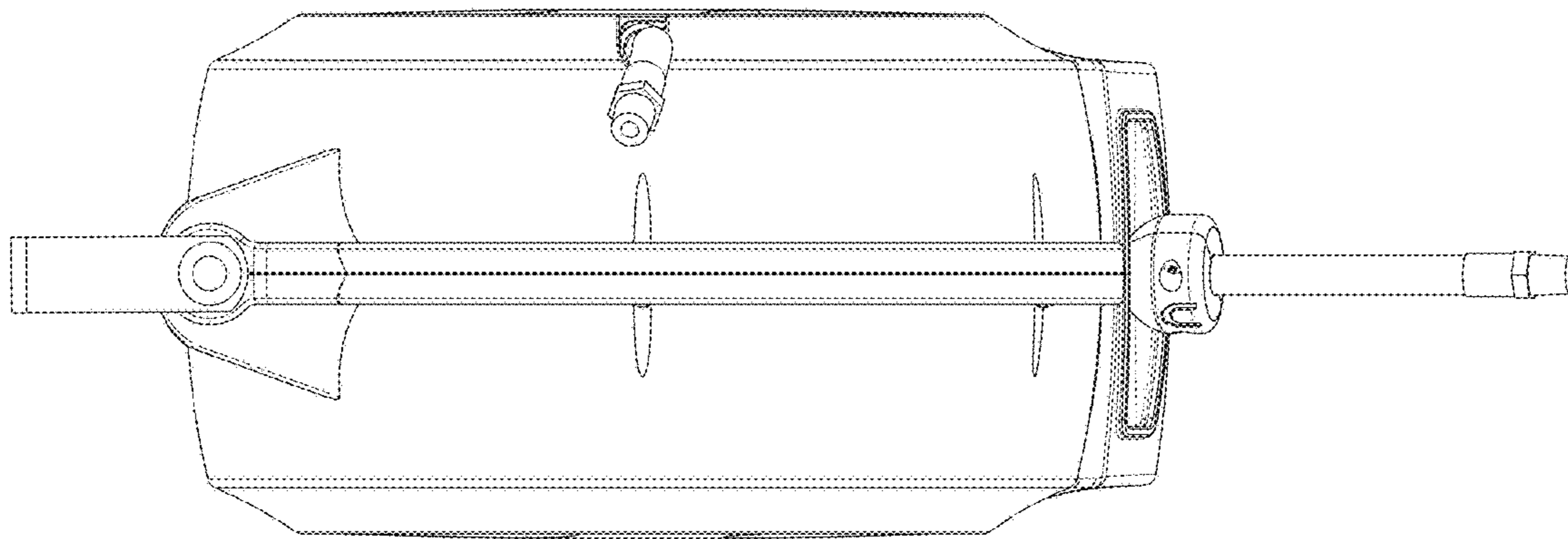


FIG .5

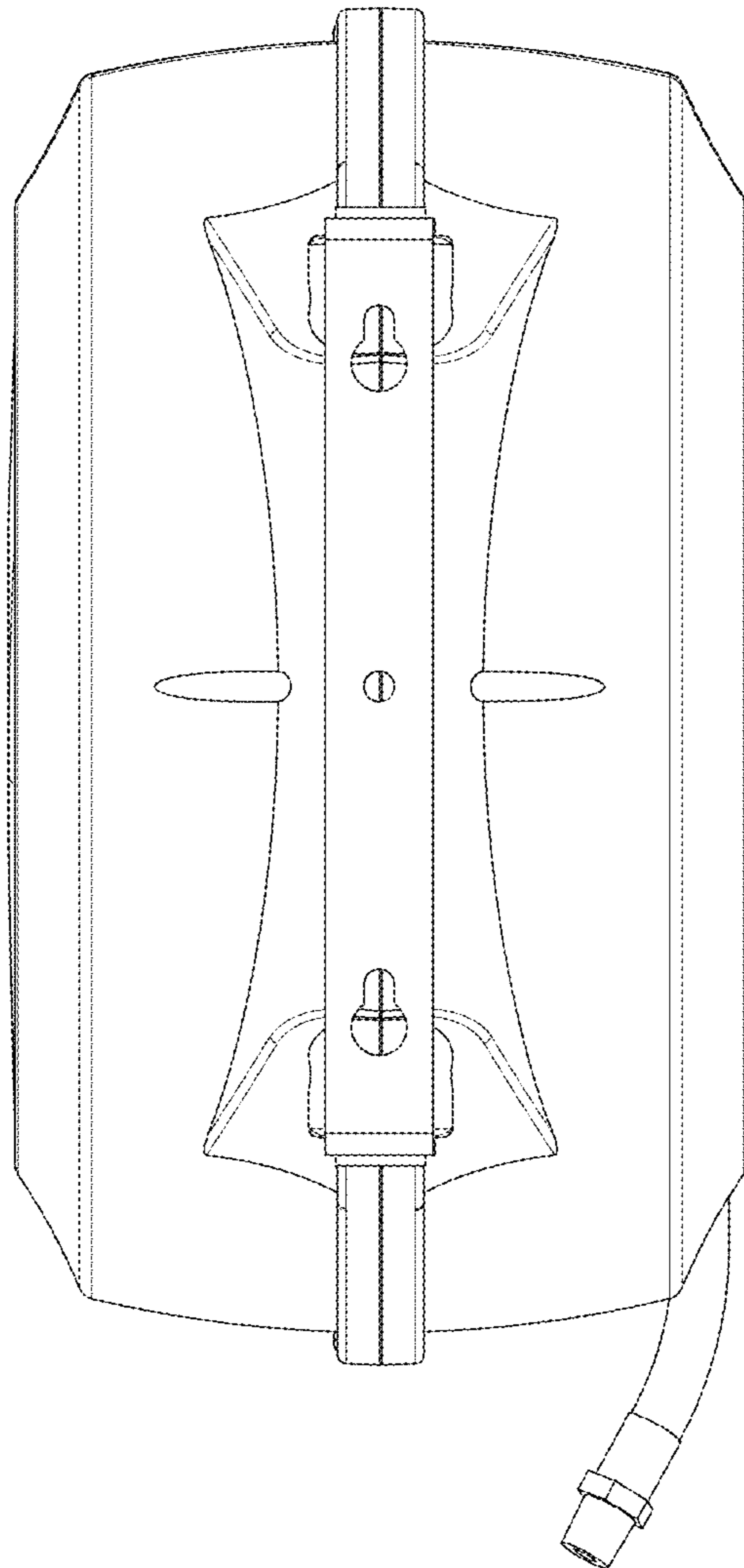


FIG .6

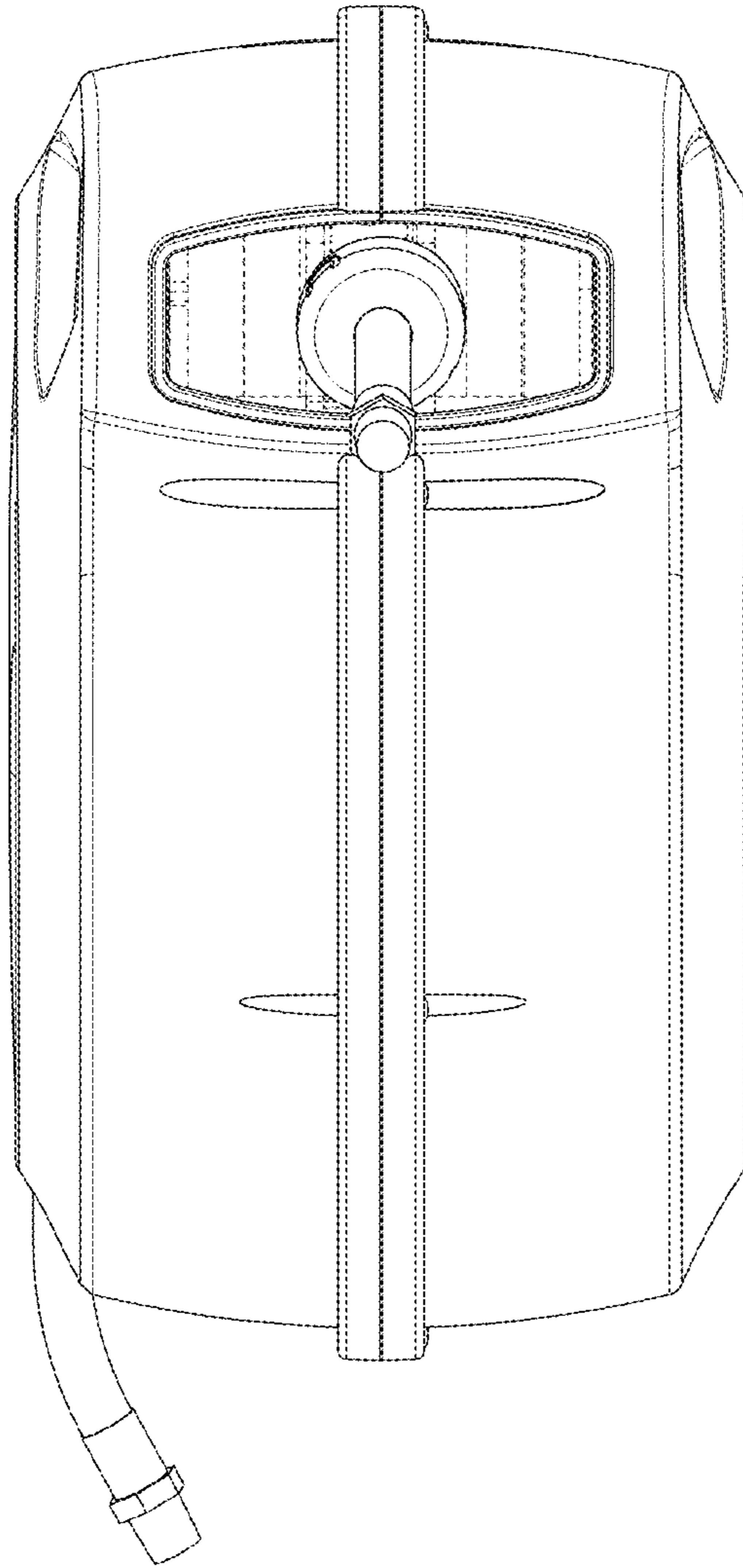


FIG .7