



US00D794427S

(12) **United States Design Patent**  
**Ravaioli**

(10) **Patent No.:** **US D794,427 S**

(45) **Date of Patent:** **\*\* Aug. 15, 2017**

(54) **HOLDERS FOR RECLINER FURNITURE PARTS WITH ROD ATTACHMENT**

D744,313 S \* 12/2015 Lu ..... D8/323  
D758,164 S \* 6/2016 Lu ..... D8/323

\* cited by examiner

(71) Applicant: **Elio Ravaioli**, Forli (IT)

*Primary Examiner* — Lakiya Rogers

(72) Inventor: **Elio Ravaioli**, Forli (IT)

*Assistant Examiner* — Harold Blackwell, II

(\*\*) Term: **14 Years**

(74) *Attorney, Agent, or Firm* — Felix L. Fischer

(21) Appl. No.: **29/511,737**

(57) **CLAIM**

The ornamental design for holders for recliner furniture parts with rod attachment, as shown and described.

(22) Filed: **Dec. 12, 2014**

**DESCRIPTION**

(51) **LOC (10) Cl.** ..... **08-05**

(52) **U.S. Cl.**  
USPC ..... **D8/355**

(58) **Field of Classification Search**  
USPC .... D8/323, 328, 354, 355; 16/250, 338, 227  
CPC ..... E05D 5/12; E05D 11/082; E05D 1/02;  
B64G 1/222

FIG. 1 is a right side view of a holder for recliner furniture parts in a retracted position;

FIG. 2 is a left side view of a holder for recliner furniture parts in the retracted position;

FIG. 3 is a left isometric view of a holder for recliner furniture parts in an extended position;

FIG. 4 is a right isometric view of a holder for recliner furniture parts in an extended position;

FIG. 5 is a top view of a holder for recliner furniture parts in the retracted position;

FIG. 6 is a top view of a holder for recliner furniture parts in the extended position; and,

FIG. 7 is a right isometric view of a holder for recliner furniture parts in the retracted position.

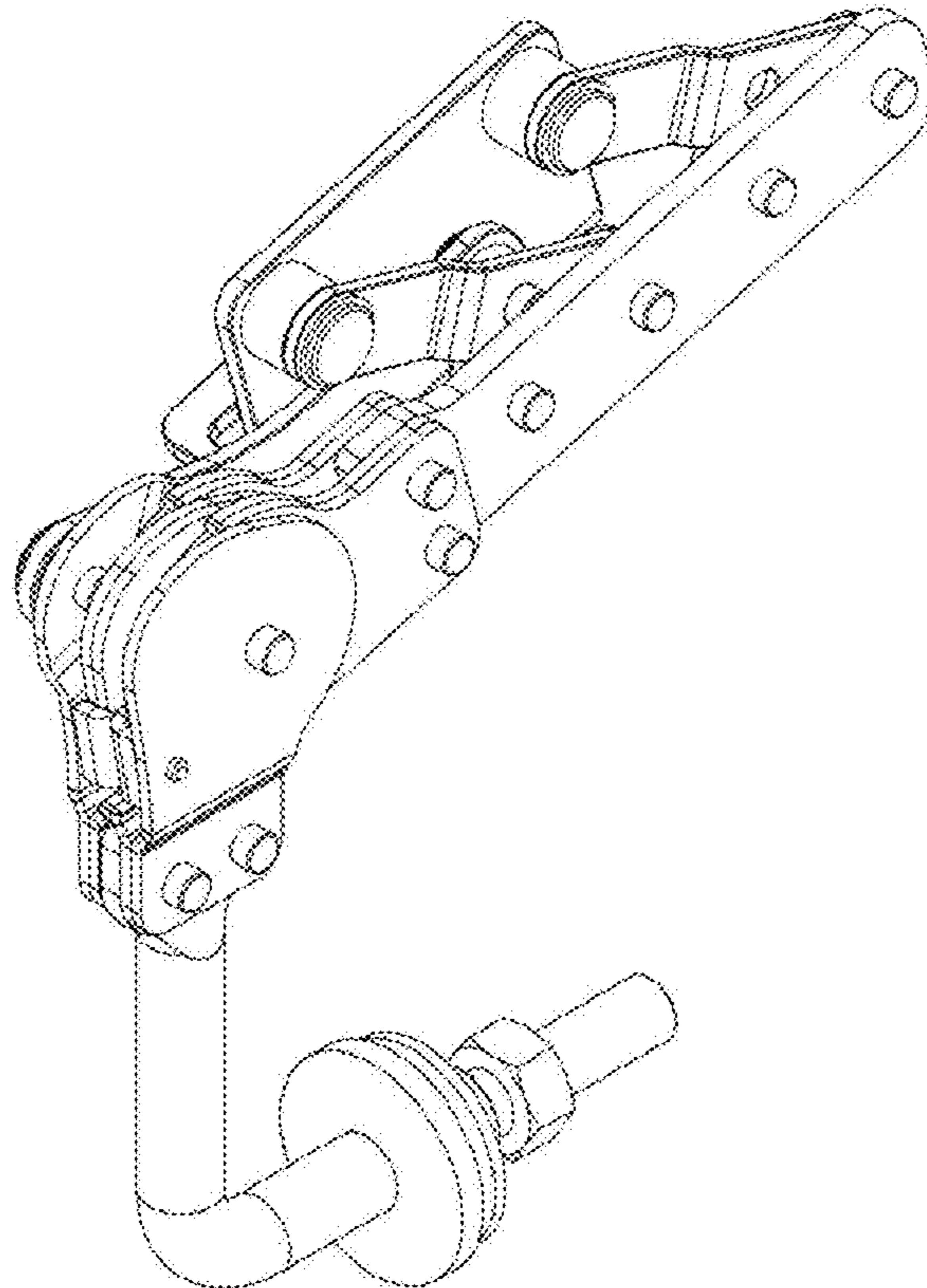
See application file for complete search history.

(56) **References Cited**

**U.S. PATENT DOCUMENTS**

D140,298 S \* 2/1945 Wilson ..... D8/323  
D717,633 S \* 11/2014 Lu ..... D8/323  
D717,634 S \* 11/2014 Lu ..... D8/323  
D719,810 S \* 12/2014 Lu ..... D8/323

**1 Claim, 7 Drawing Sheets**



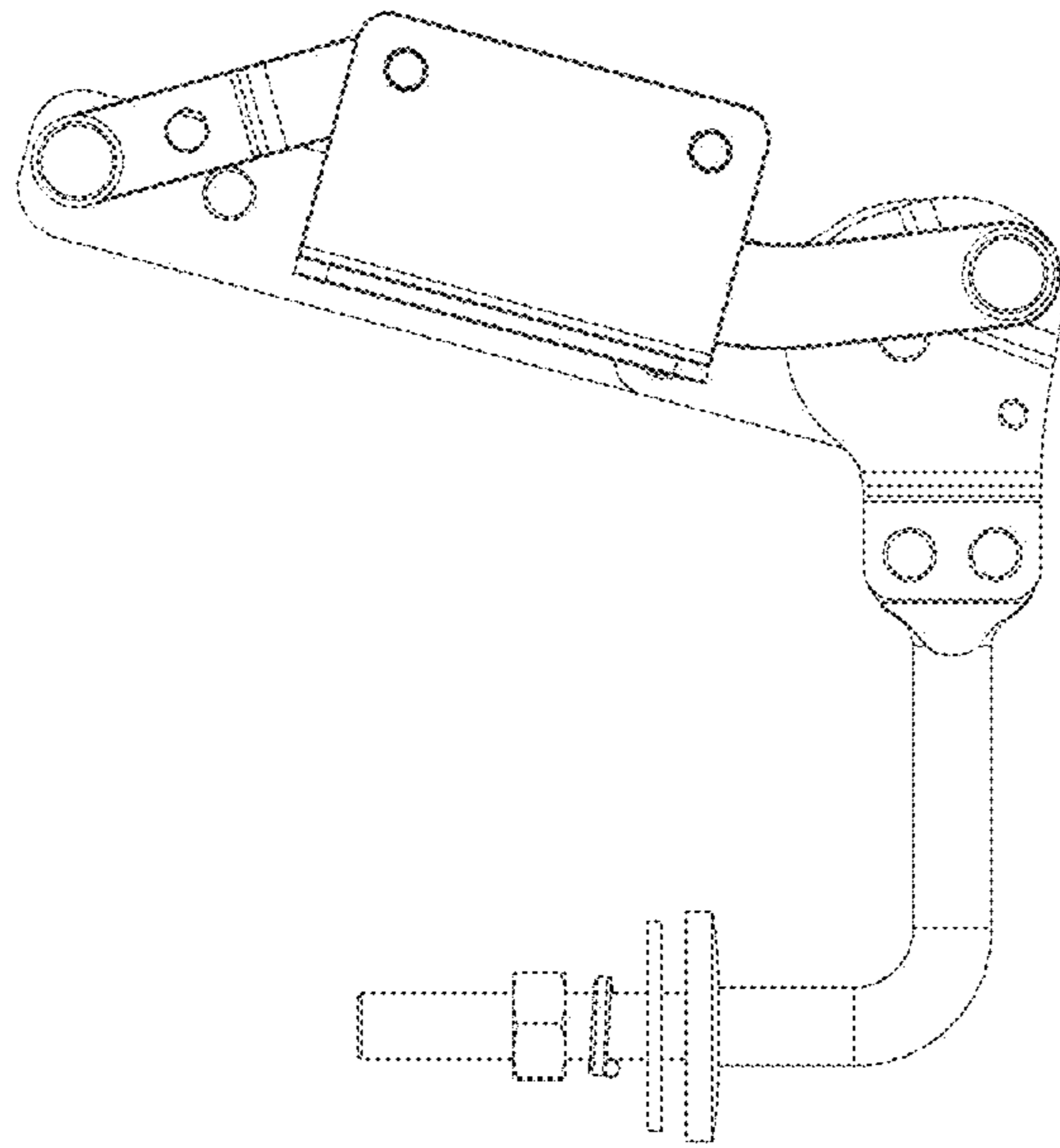


FIG. 1

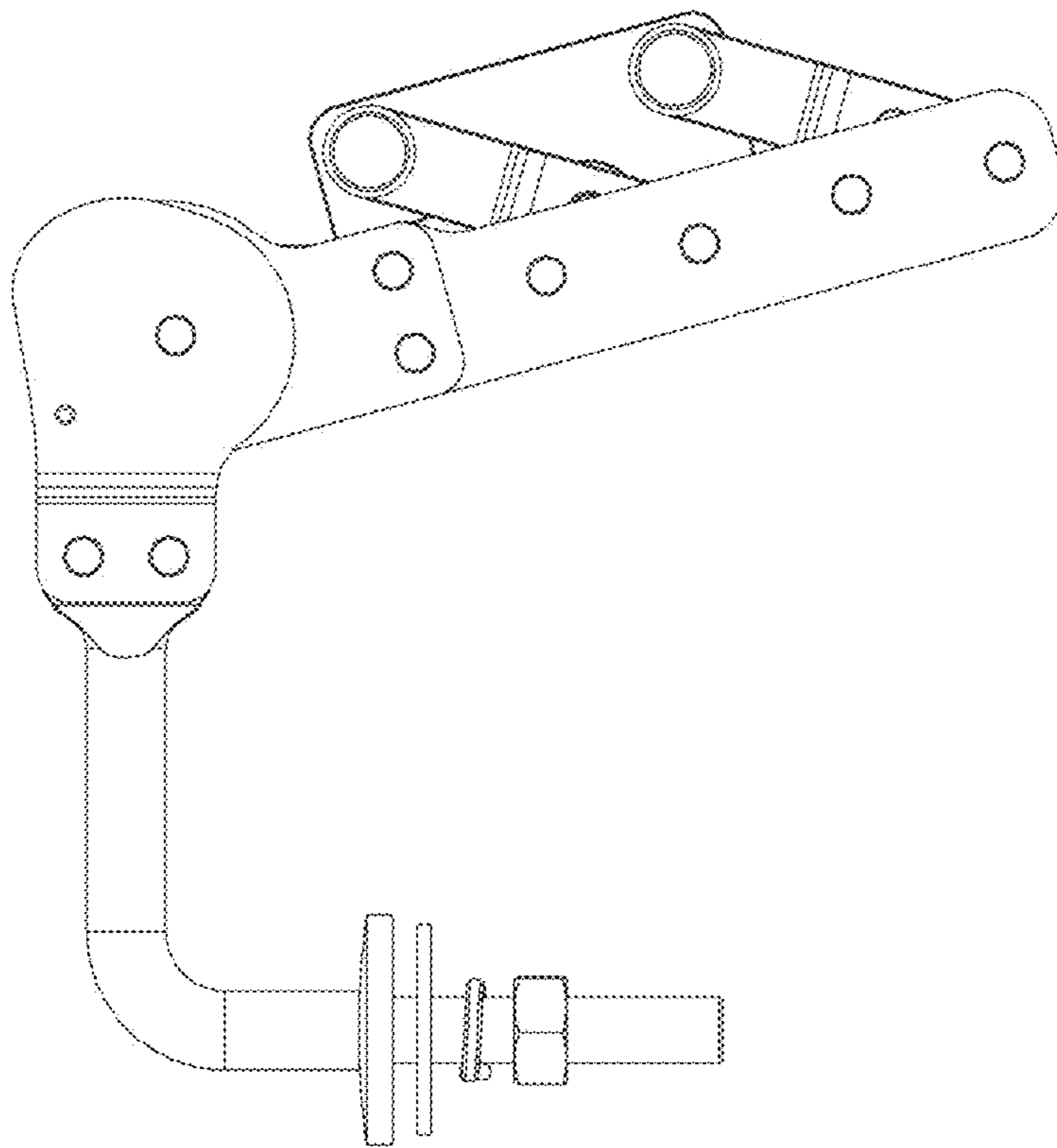


FIG. 2

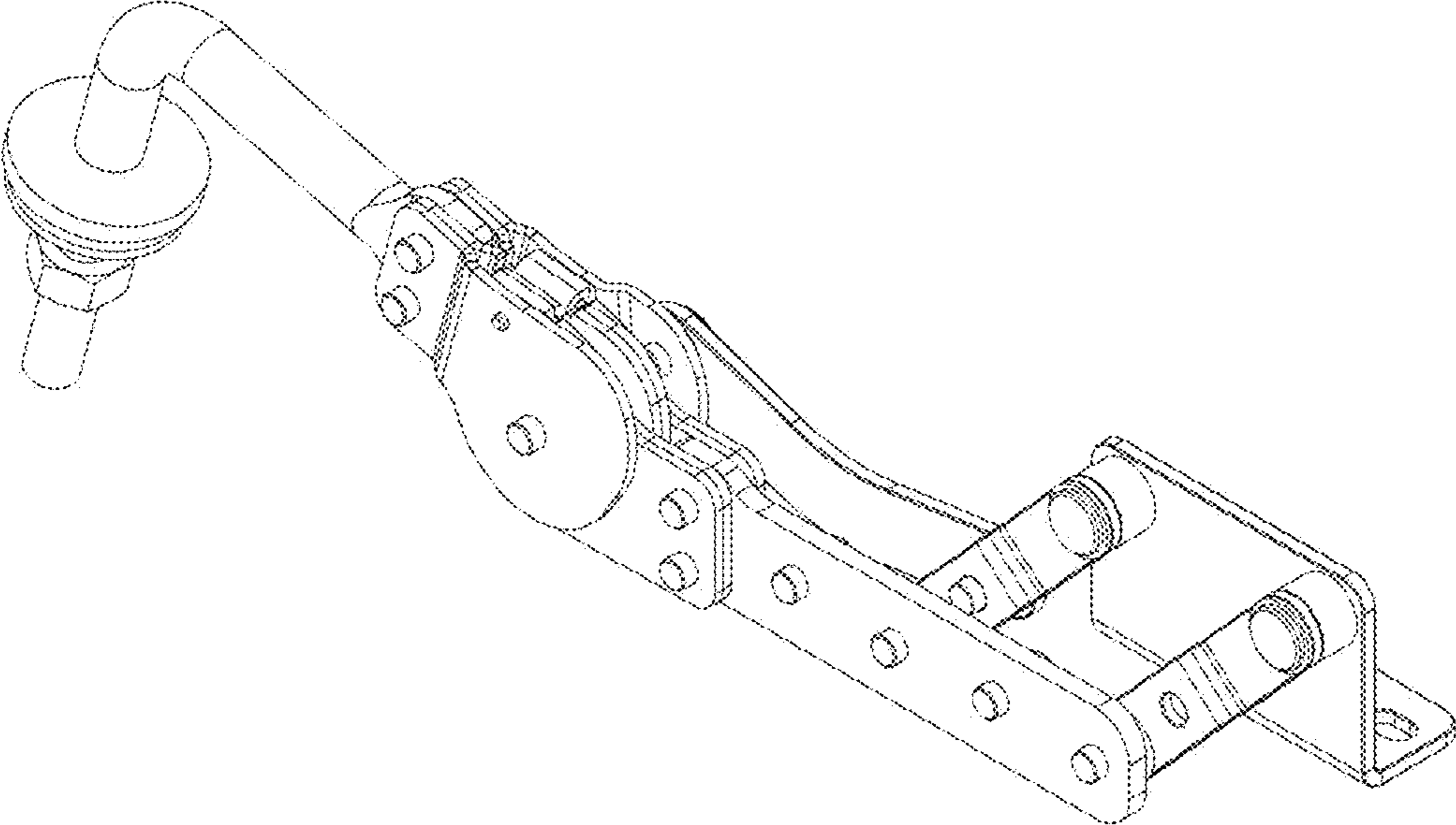


FIG. 3

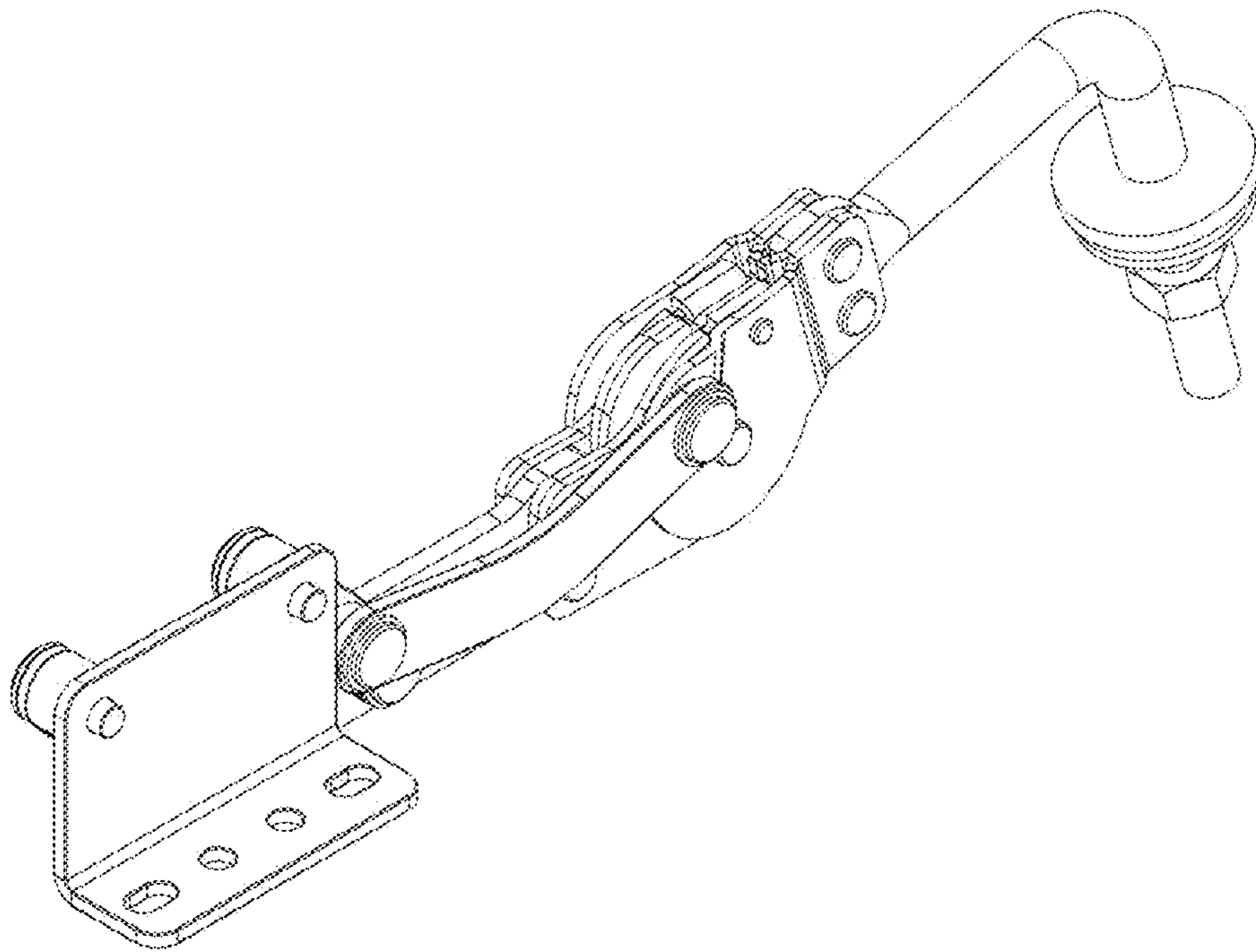


FIG. 4

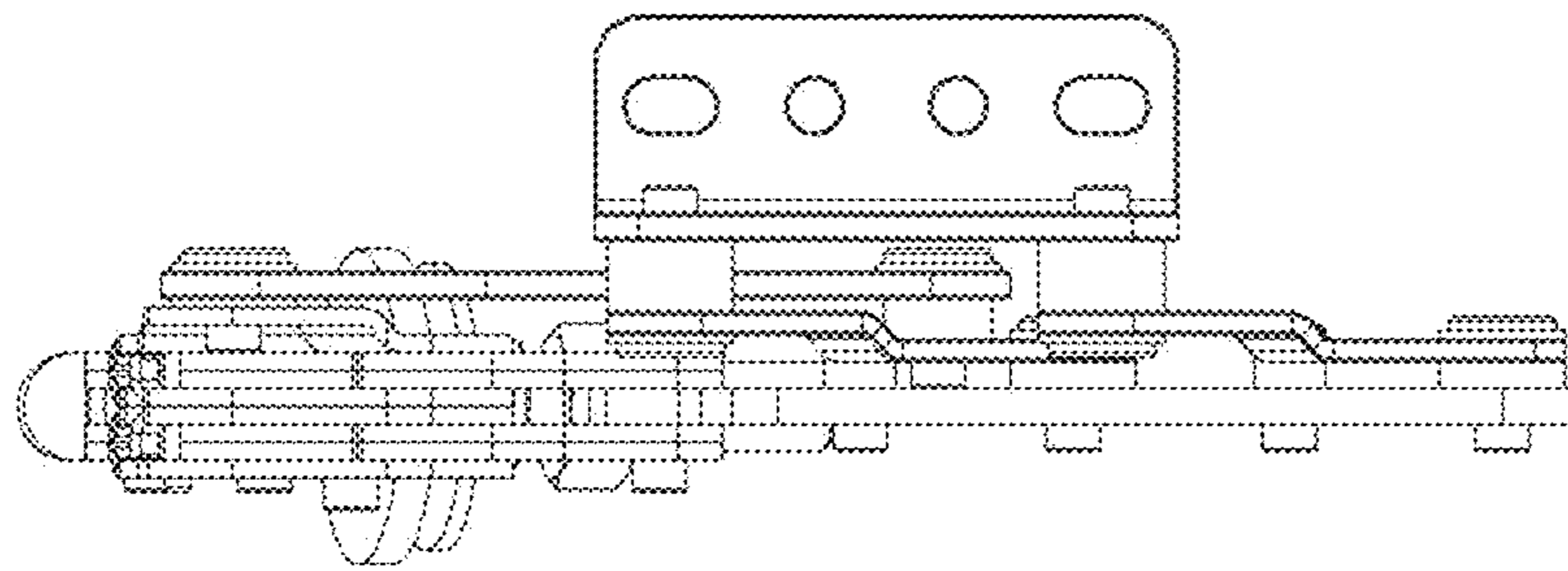


FIG. 5

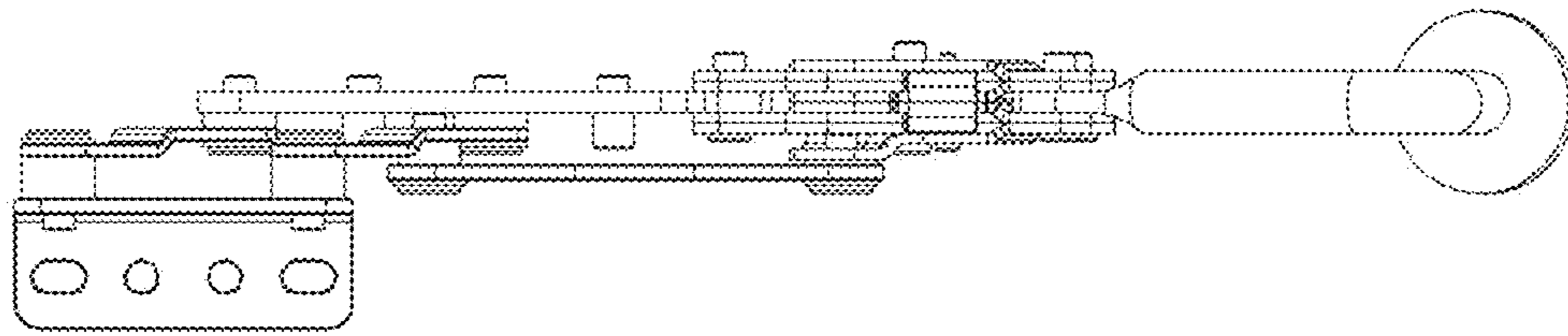


FIG. 6

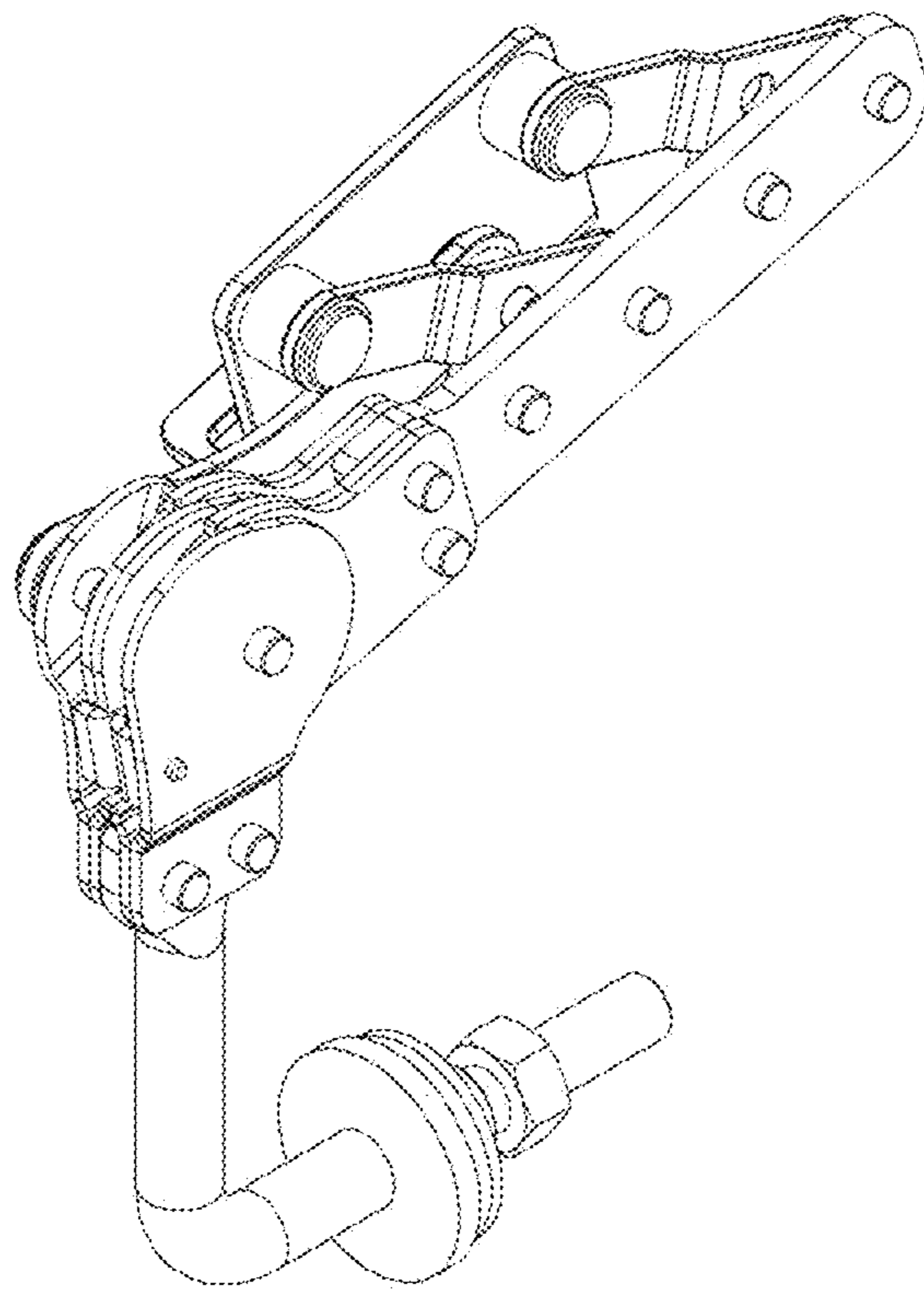


FIG. 7