



US00D794426S

(12) **United States Design Patent** (10) **Patent No.:** **US D794,426 S**
Neste (45) **Date of Patent:** **** Aug. 15, 2017**

- (54) **BRACKET FOR A RACK**
- (71) Applicant: **SUOMENSELÄN JAUHEMAALAUS OY**, Visuvesi (FI)
- (72) Inventor: **Jouni Neste**, Visuvesi (FI)
- (73) Assignee: **SUOMENSELÄN JAUHEMAALAUS OY**, Visuvesi (FI)
- (**) Term: **15 Years**
- (21) Appl. No.: **29/543,977**
- (22) Filed: **Oct. 29, 2015**
- (51) **LOC (10) Cl.** **08-05**
- (52) **U.S. Cl.**
USPC **D8/354**
- (58) **Field of Classification Search**
USPC D8/349, 354, 373, 380, 381; 248/300, 248/200, 201, 27.1
CPC A47B 96/061; A47B 96/1466
See application file for complete search history.

(56) **References Cited**

U.S. PATENT DOCUMENTS

- D59,792 S * 11/1921 Taylor D12/159
- 3,965,826 A * 6/1976 Markham A47B 57/42
108/108
- D289,605 S * 5/1987 Lytle D8/381
- D422,483 S * 4/2000 Shea D8/354
- 6,109,461 A * 8/2000 Kluge A47B 57/30
211/103
- D437,282 S * 2/2001 Joll D12/223
- 7,497,368 B2 * 3/2009 Lutzke A47G 29/1216
232/39

- 2009/0084746 A1* 4/2009 Rioux B65G 1/02
211/183
- 2015/0201754 A1* 7/2015 Chen A47B 96/025
248/219.3
- 2016/0331130 A1* 11/2016 Neste A47B 57/565

* cited by examiner

Primary Examiner — Lakiya Rogers
Assistant Examiner — Harold E Blackwell, II
(74) *Attorney, Agent, or Firm* — FisherBroyles, LLP;
Robert Kinberg

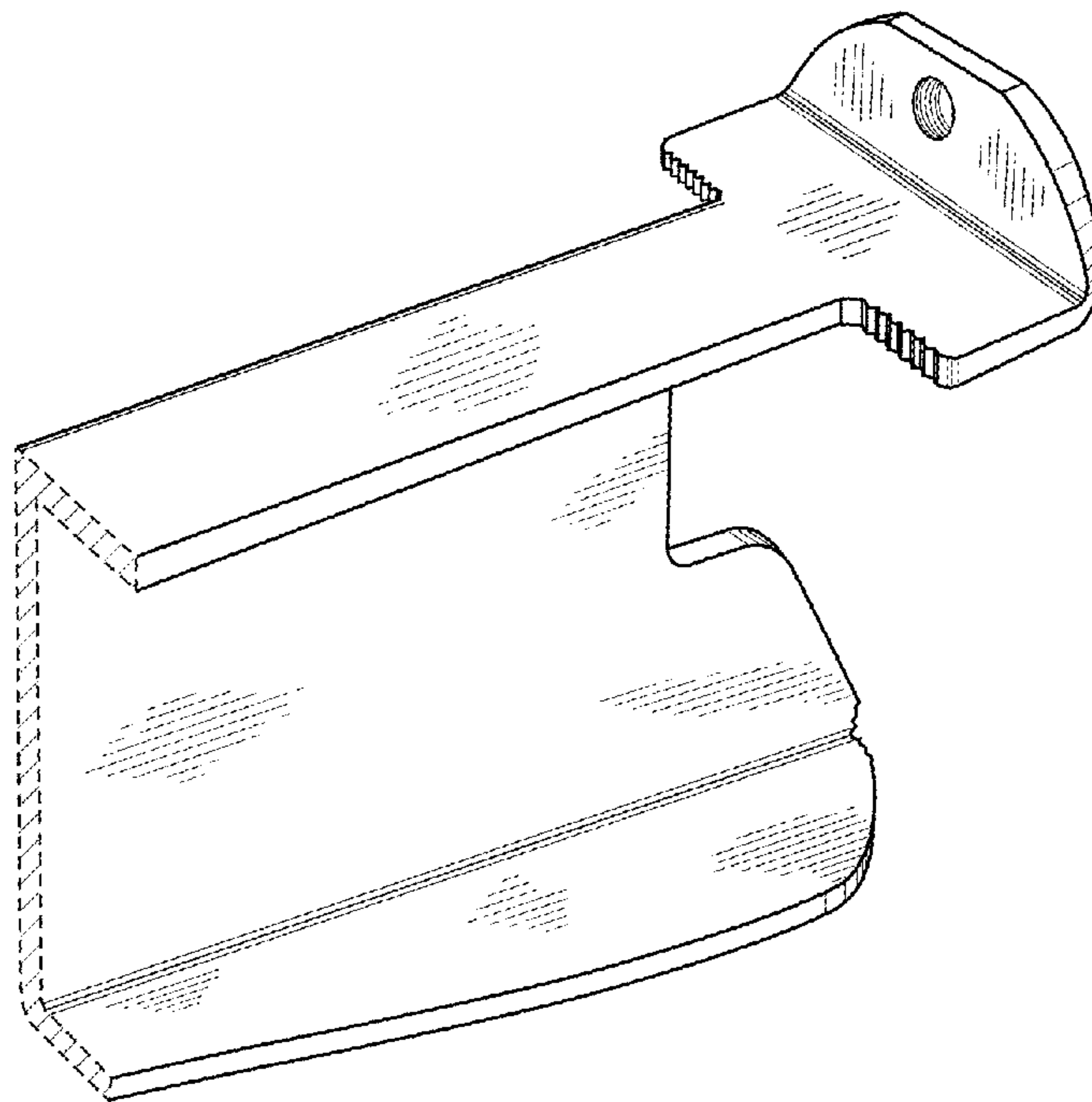
(57) **CLAIM**

I claim the ornamental design for a bracket for a rack, as shown and described.

DESCRIPTION

FIG. 1 is a perspective view of a bracket for a rack, showing the front, top and right side of a rear part of one bracket, according to an embodiment of the invention;
FIG. 2 is a top plan view of the bracket for a rack according to FIG. 1;
FIG. 3 is a bottom plan view of the bracket for a rack according to FIG. 1;
FIG. 4 is a rear view of the bracket for a rack according to FIG. 1;
FIG. 5 is a right side view of the bracket for a rack according to FIG. 1; and,
FIG. 6 is a left side view of the bracket for a rack according to FIG. 1.
The broken lines in the drawings illustrate portions of the bracket for a rack which form no part of the claimed design. The non-oblique line shading is meant to show contour of represented surfaces, not surface ornamentation.

1 Claim, 6 Drawing Sheets



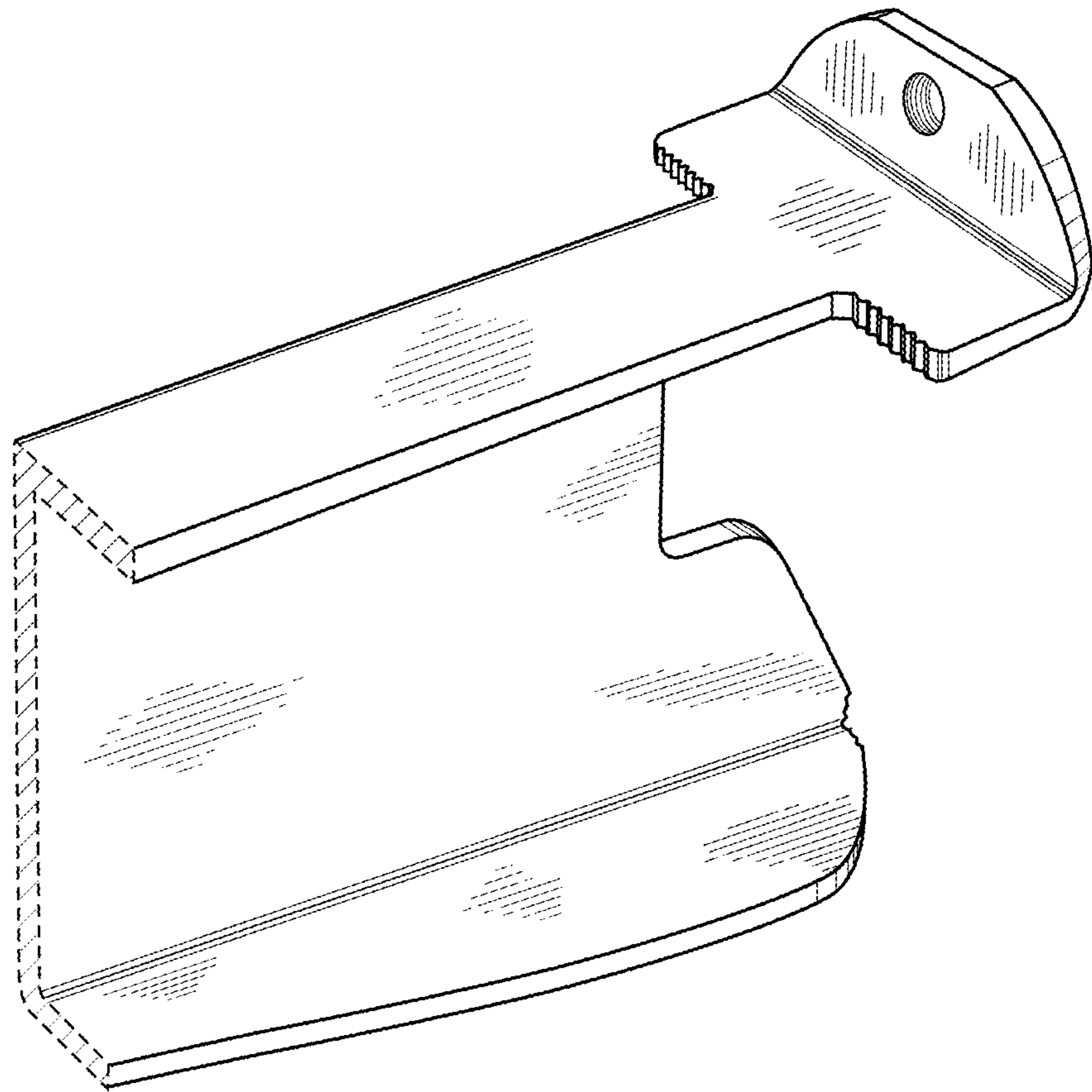


FIG.1

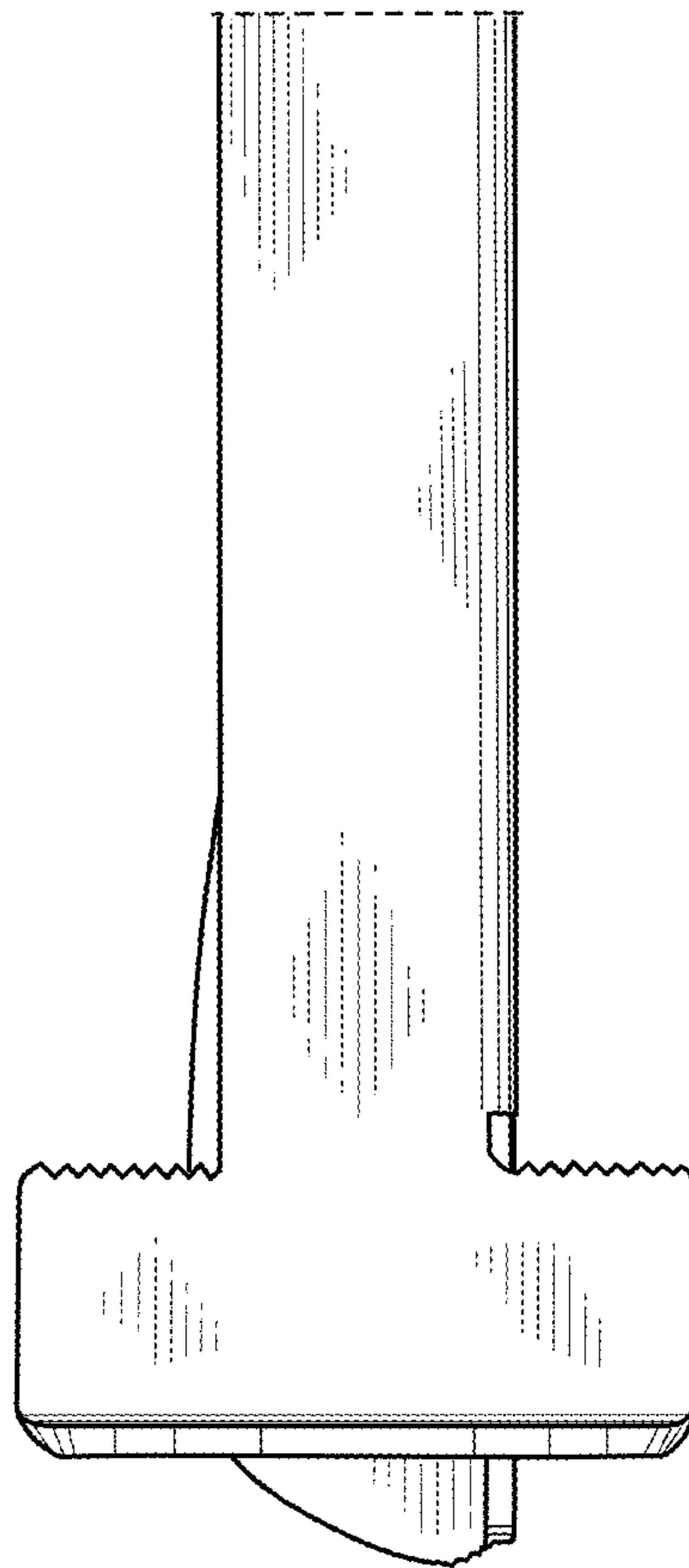


FIG. 2

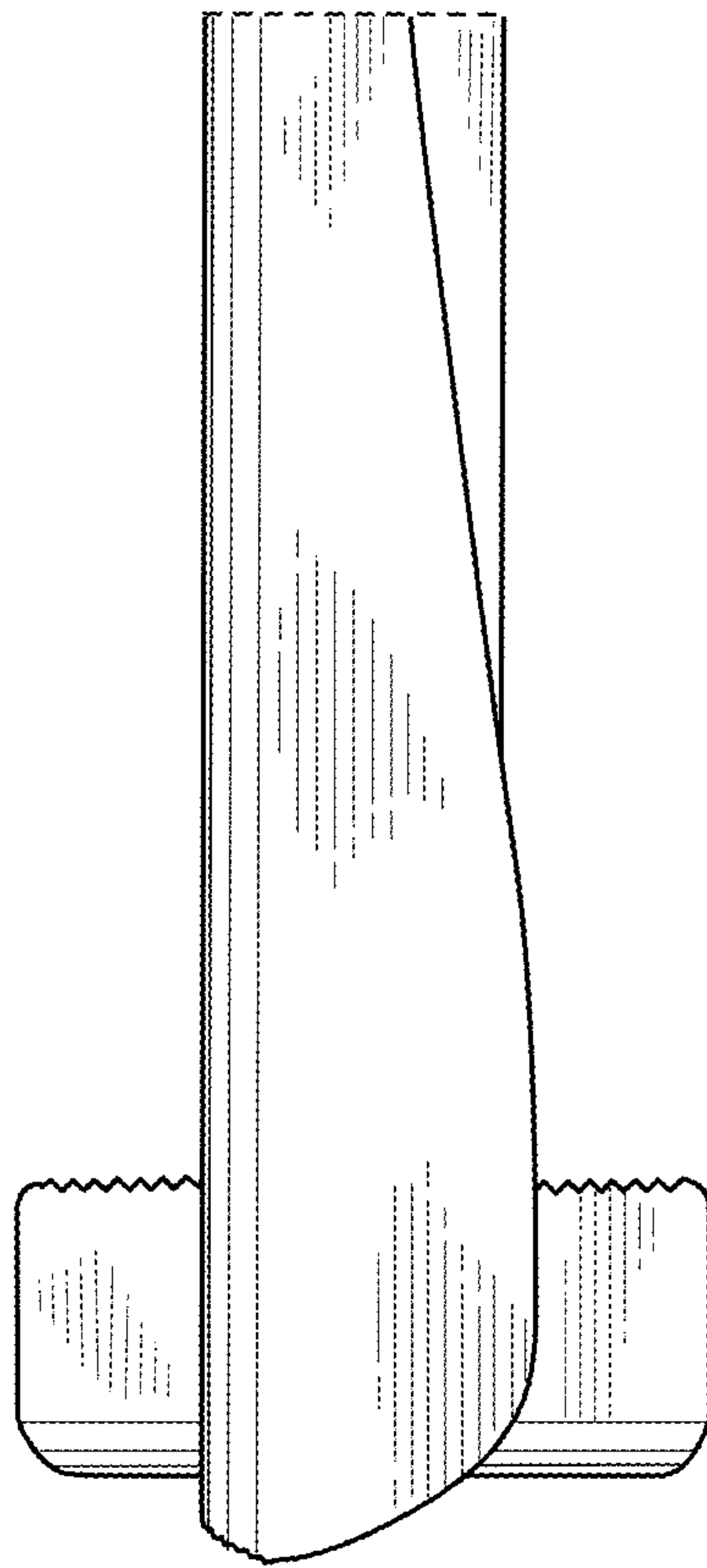


FIG. 3

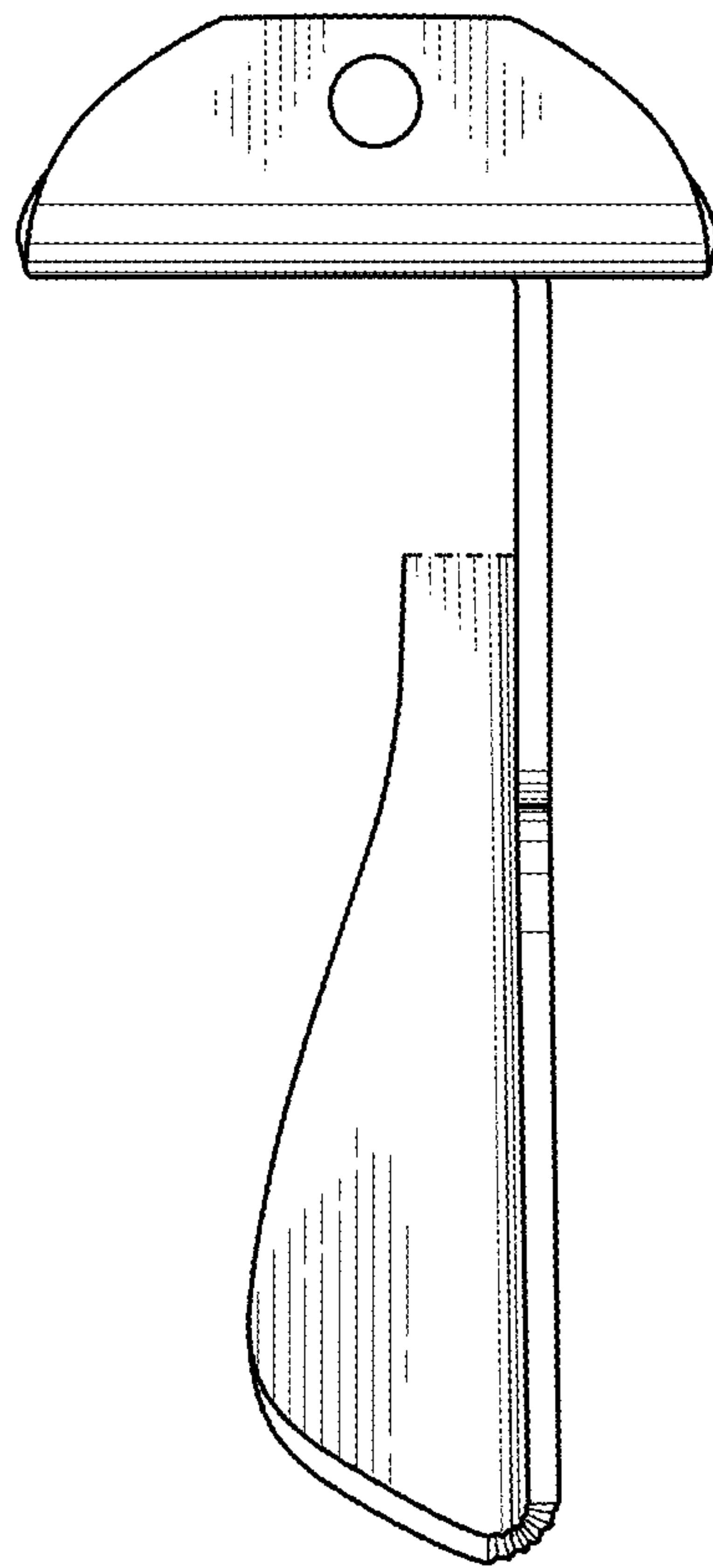


FIG. 4

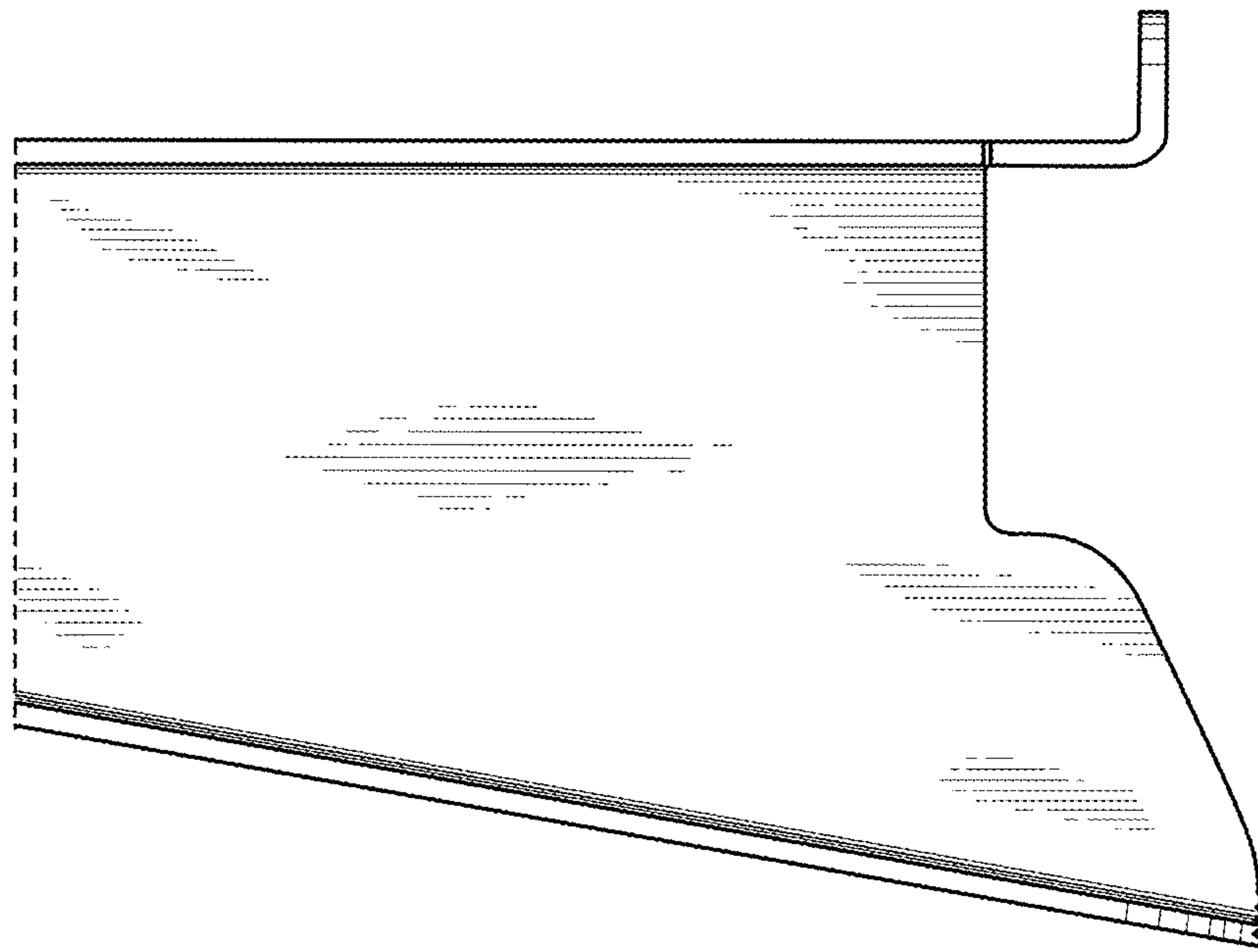


FIG. 5

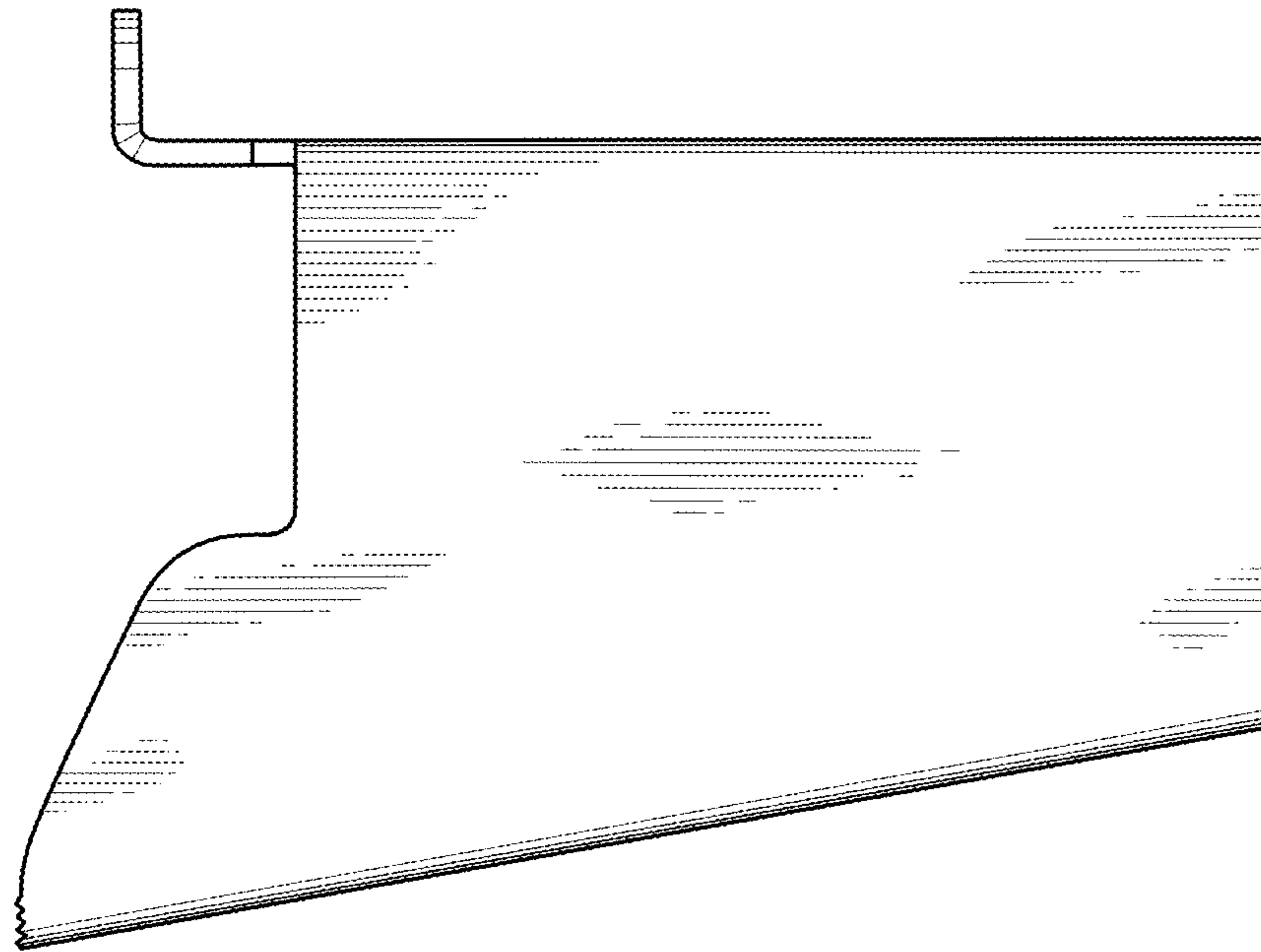


FIG. 6