

US00D794425S

(12) **United States Design Patent** (10) **Patent No.:** **US D794,425 S**
Thompson et al. (45) **Date of Patent:** **** Aug. 15, 2017**

(54) **MOUNTING DEVICE**

(71) Applicant: **3M INNOVATIVE PROPERTIES COMPANY**, St. Paul, MN (US)

(72) Inventors: **Craig D. Thompson**, Inver Grove Heights, MN (US); **Andrew C. Stansel**, Woodbury, MN (US); **Michele A. Eller**, Stillwater, MN (US); **David J. Prince**, St. Paul, MN (US)

(73) Assignee: **3M INNOVATIVE PROPERTIES COMPANY**, St. Paul, MN (US)

(**) Term: **15 Years**

(21) Appl. No.: **29/542,480**

(22) Filed: **Oct. 14, 2015**

(51) **LOC (10) Cl.** **08-05**

(52) **U.S. Cl.**
USPC **D8/354**

(58) **Field of Classification Search**
USPC D8/349, 354-355, 373, 380, 382-383, D8/394, 396
CPC F21V 21/02; F21S 8/00
See application file for complete search history.

(56) **References Cited**

U.S. PATENT DOCUMENTS

2,489,477 A * 11/1949 Brecher A47G 1/06
160/369
4,714,219 A * 12/1987 Mayse F16L 3/08
248/65

D324,990 S * 3/1992 Gary D26/138
D359,225 S * 6/1995 Reed D26/138
D436,311 S * 1/2001 Edvardsson D8/382
D468,998 S * 1/2003 Zadak D8/19
D695,090 S * 12/2013 White D8/354
9,052,097 B2 * 6/2015 Blincoe F21V 17/107
D747,953 S * 1/2016 Thompson D8/349
D752,954 S * 4/2016 Lax D8/354

OTHER PUBLICATIONS

U.S. Appl. No. 61/139,124, filed Mar. 27, 2015, entitled "Canvas Mounting Device".

* cited by examiner

Primary Examiner — Lakiya Rogers

Assistant Examiner — Harold E Blackwell, II

(74) *Attorney, Agent, or Firm* — Irina Hass

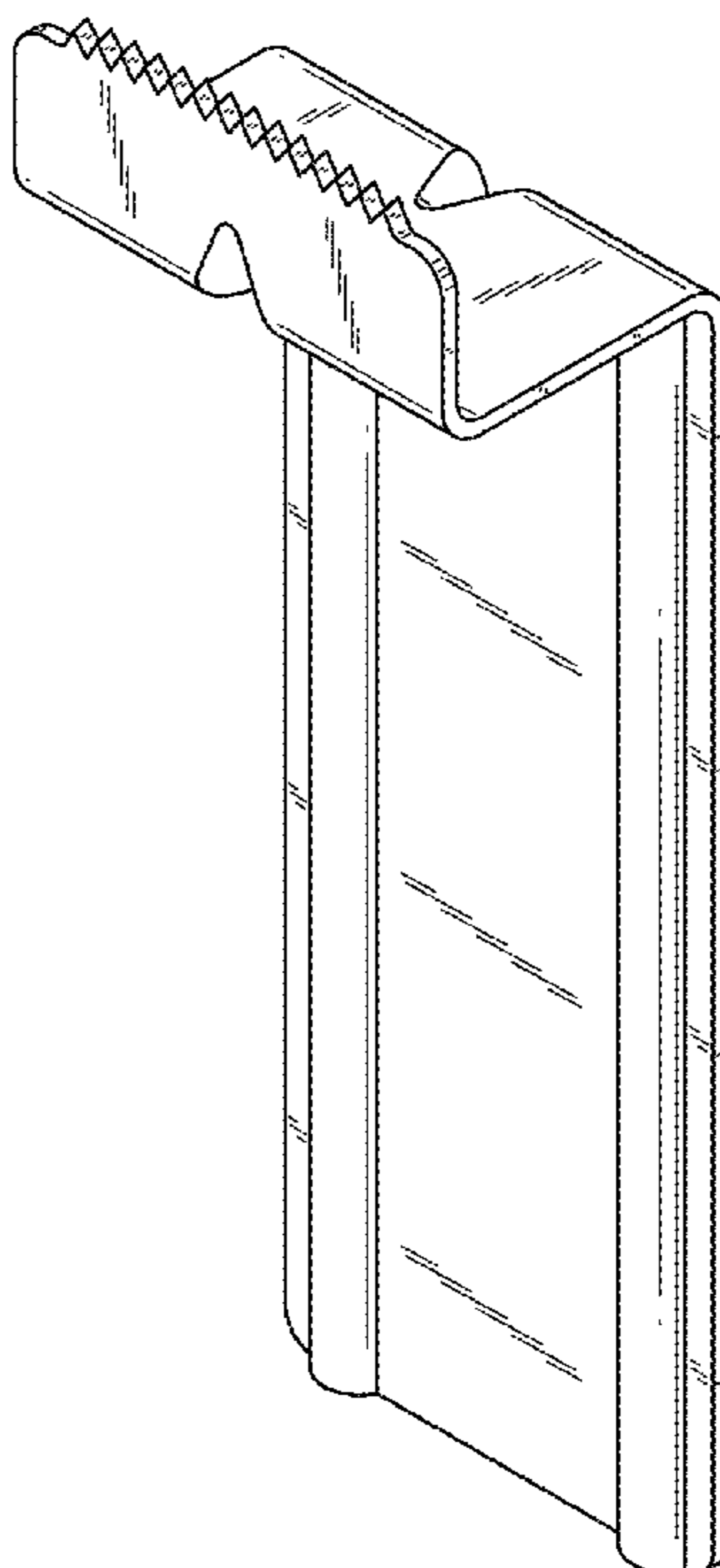
(57) **CLAIM**

The ornamental design for a mounting device, as shown and described.

DESCRIPTION

FIG. 1 is a perspective view showing a new design for a mounting device;
FIG. 2 is a front view thereof;
FIG. 3 is a rear view thereof;
FIG. 4 is a right side view thereof, a left side view being a mirror image thereof;
FIG. 5 is a top view thereof; and,
FIG. 6 is a bottom view thereof.

1 Claim, 3 Drawing Sheets



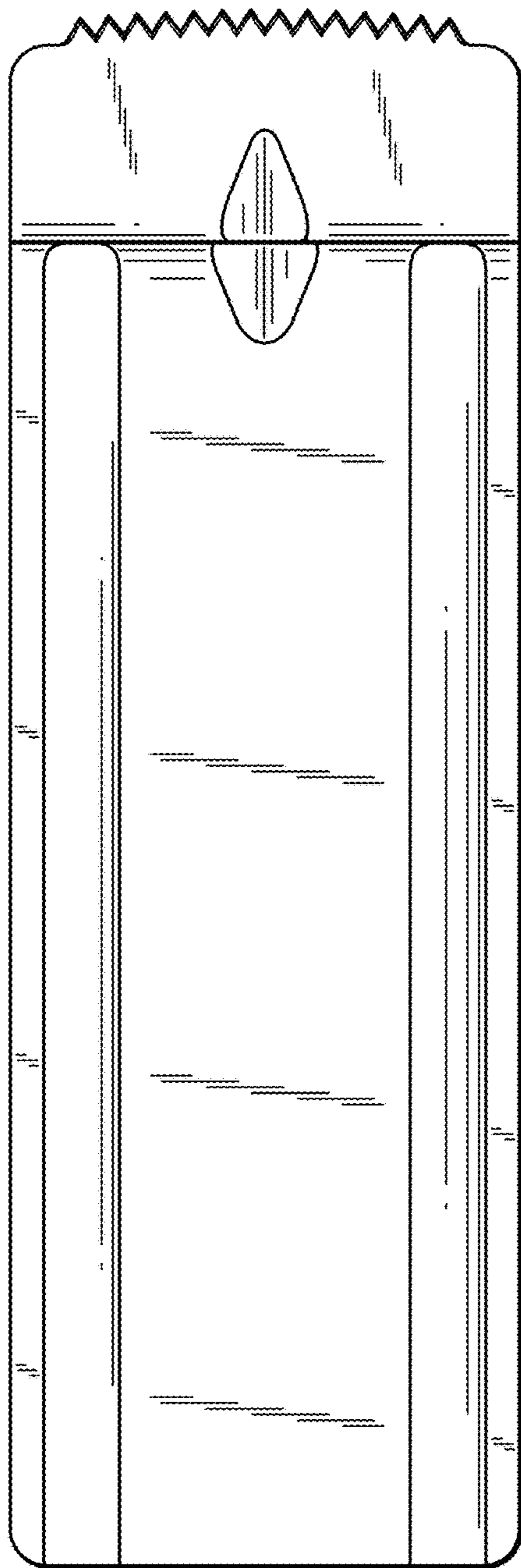


FIG. 2

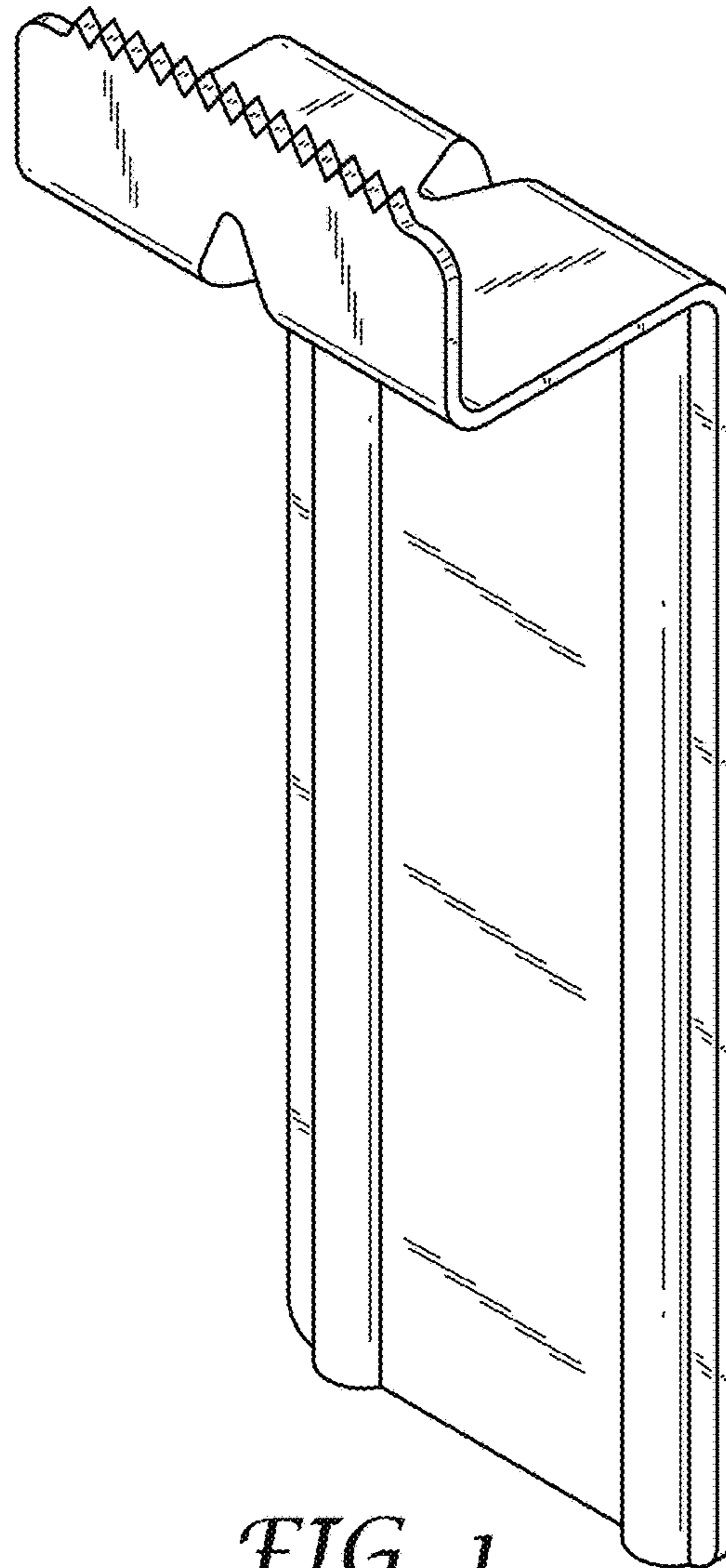


FIG. 1

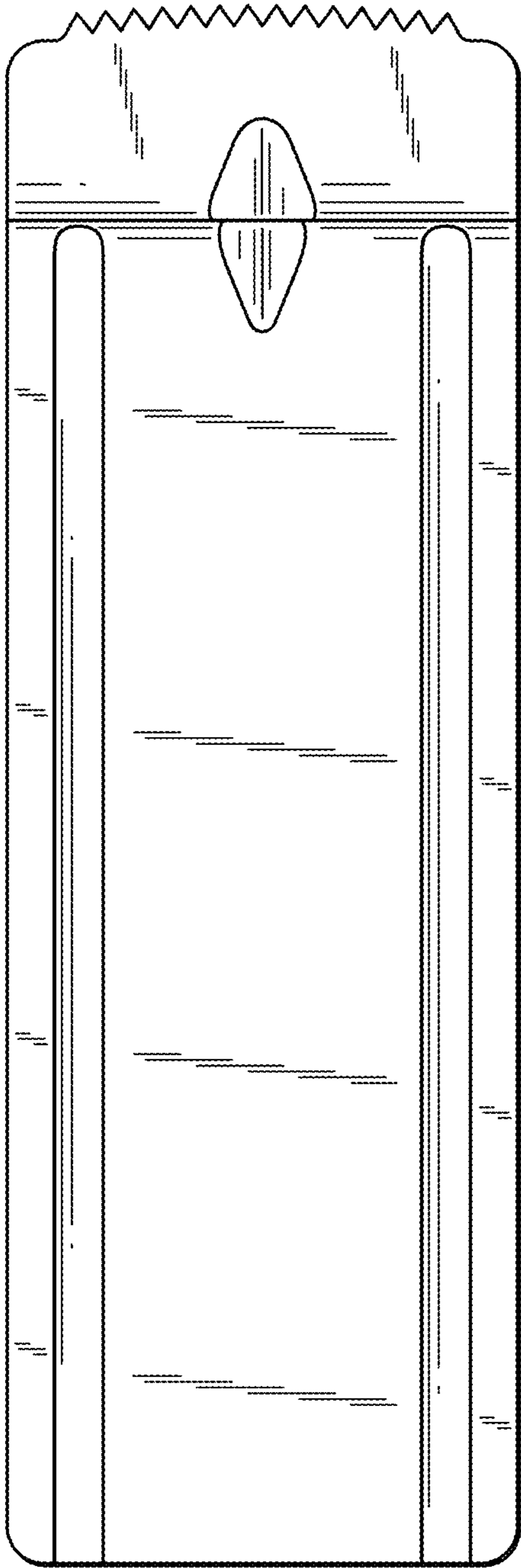


FIG. 3

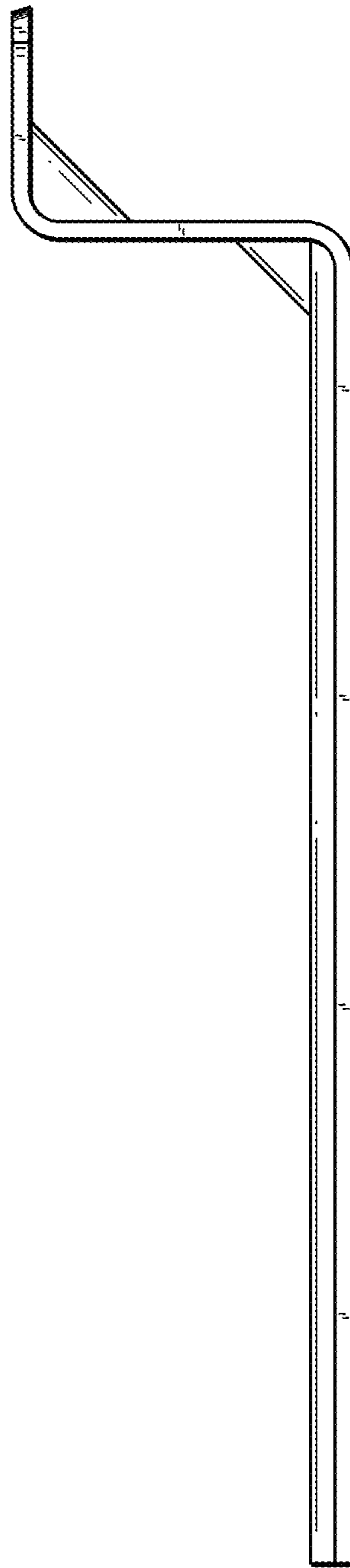


FIG. 4

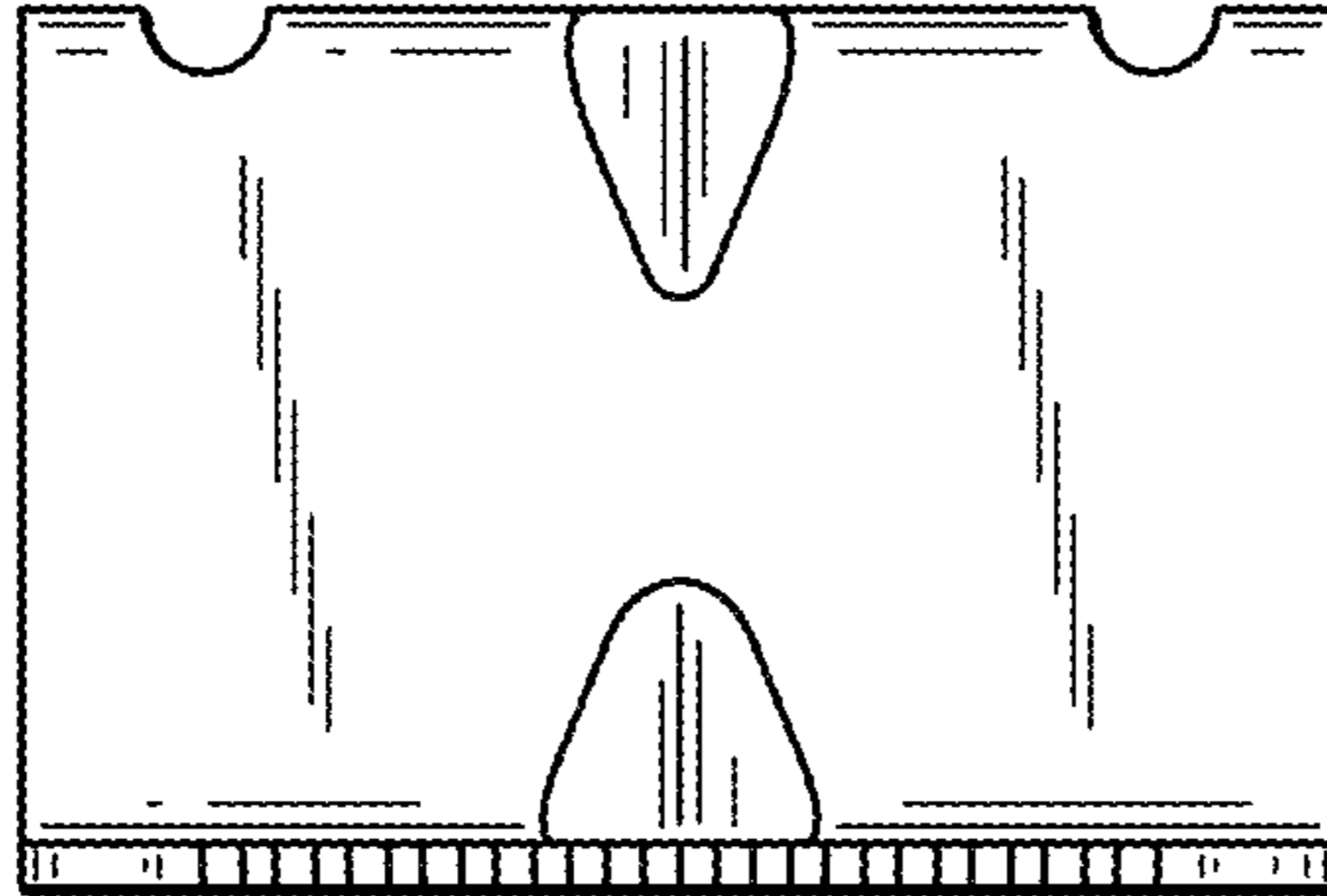


FIG. 5

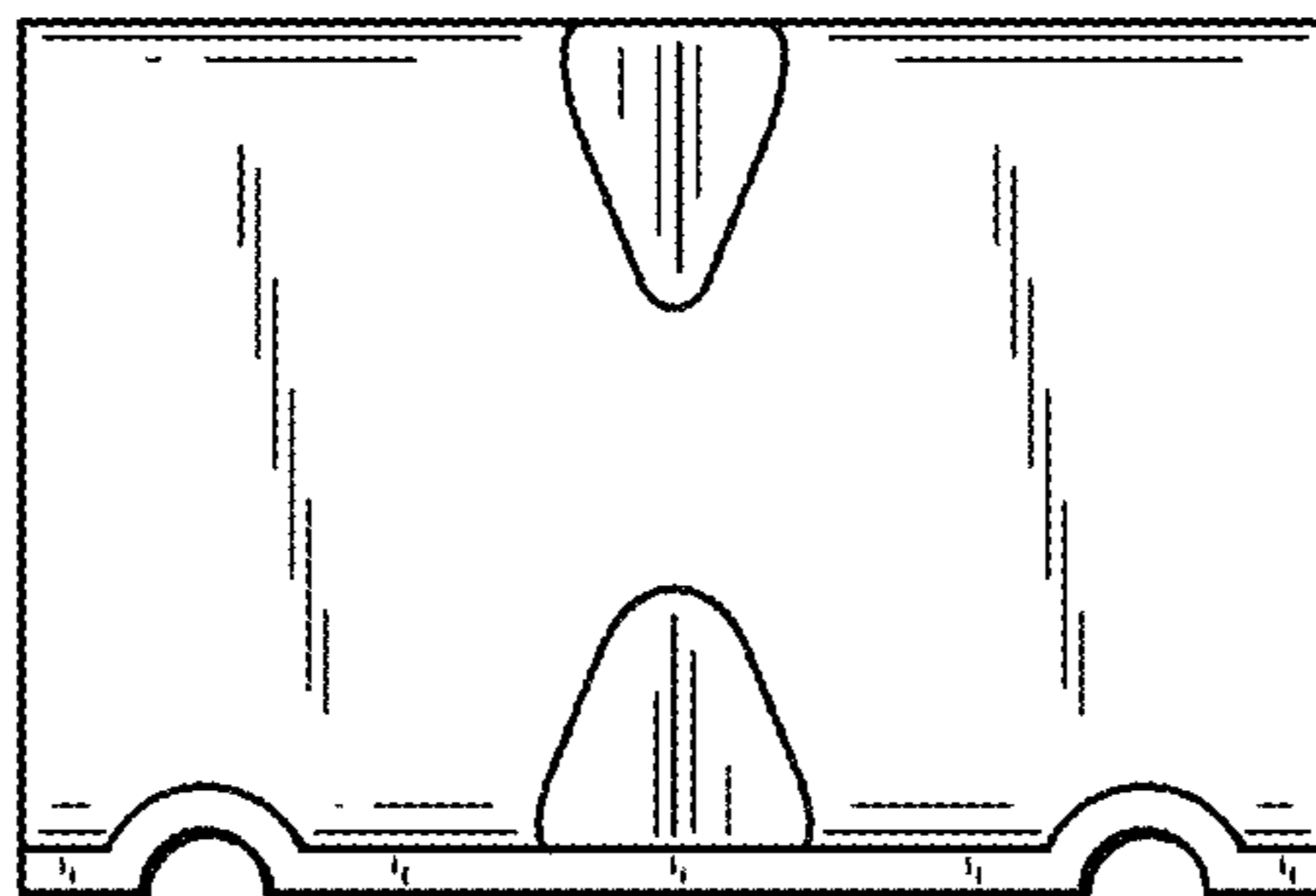


FIG. 6