



US00D794421S

(12) **United States Design Patent** (10) **Patent No.:** **US D794,421 S**  
**Moon et al.** (45) **Date of Patent:** **\*\* Aug. 15, 2017**

(54) **BRACKET**

(71) Applicant: **Samsung Electronics Co., Ltd.**,  
Suwon-si (KR)

(72) Inventors: **Ji-Hyun Moon**, Gwangmyeong-Si  
(KR); **Eun-Ae Lee**, Seoul (KR);  
**Moon-Jung Jang**, Gunpo-si (KR)

(73) Assignee: **SAMSUNG ELECTRONICS CO.,  
LTD**, Gyeonggi-Do (KR)

(\*\*) Term: **15 Years**

(21) Appl. No.: **29/546,502**

(22) Filed: **Nov. 23, 2015**

(30) **Foreign Application Priority Data**

Aug. 11, 2015 (KR) ..... 30-2015-0040438

(51) **LOC (10) Cl.** ..... **08-05**

(52) **U.S. Cl.**  
USPC ..... **D8/349**; D8/363

(58) **Field of Classification Search**  
USPC ..... D8/349, 363, 371, 373, 380, 354, 356,  
D8/381, 382, 383, 394, 396; 248/261,  
248/262, 309.1; 160/349.1; D13/102,  
D13/118, 149, 154, 155, 184, 199  
CPC ..... E04H 17/1421; E04H 2017/1473; A47G  
1/00; A47G 25/00; F16L 3/00  
See application file for complete search history.

(56) **References Cited**

**U.S. PATENT DOCUMENTS**

- 1,435,110 A \* 11/1922 Efford ..... A47H 5/09  
160/125
- D247,738 S \* 4/1978 Rynearson ..... D8/354
- D263,730 S \* 4/1982 Oribin ..... D21/839
- D270,572 S \* 9/1983 Black ..... D25/68

- D342,011 S \* 12/1993 Maguire ..... D8/349
- D349,639 S \* 8/1994 Kimbrell ..... D8/349
- D355,349 S \* 2/1995 Taparuskas, Jr. .... D8/349
- D358,795 S \* 5/1995 Viola ..... D12/187
- D389,731 S \* 1/1998 Forbis ..... D8/395
- D391,266 S \* 2/1998 Richter ..... D14/253
- D426,142 S \* 6/2000 Moore ..... D8/363
- D434,637 S \* 12/2000 Habeck ..... D8/349
- D439,829 S \* 4/2001 Woosley ..... D8/363
- D482,601 S \* 11/2003 Chen ..... D8/380
- D490,820 S \* 6/2004 Schoemneyr ..... D15/7
- D504,609 S \* 5/2005 Ferguson ..... D8/354
- D552,455 S \* 10/2007 Moore ..... D8/363
- D565,395 S \* 4/2008 Moore ..... D8/354
- D572,116 S \* 7/2008 Schaefer ..... D14/229
- D572,571 S \* 7/2008 Terada ..... D8/354

(Continued)

*Primary Examiner* — Mark Goodwin

(74) *Attorney, Agent, or Firm* — Cantor Colburn LLP

(57) **CLAIM**

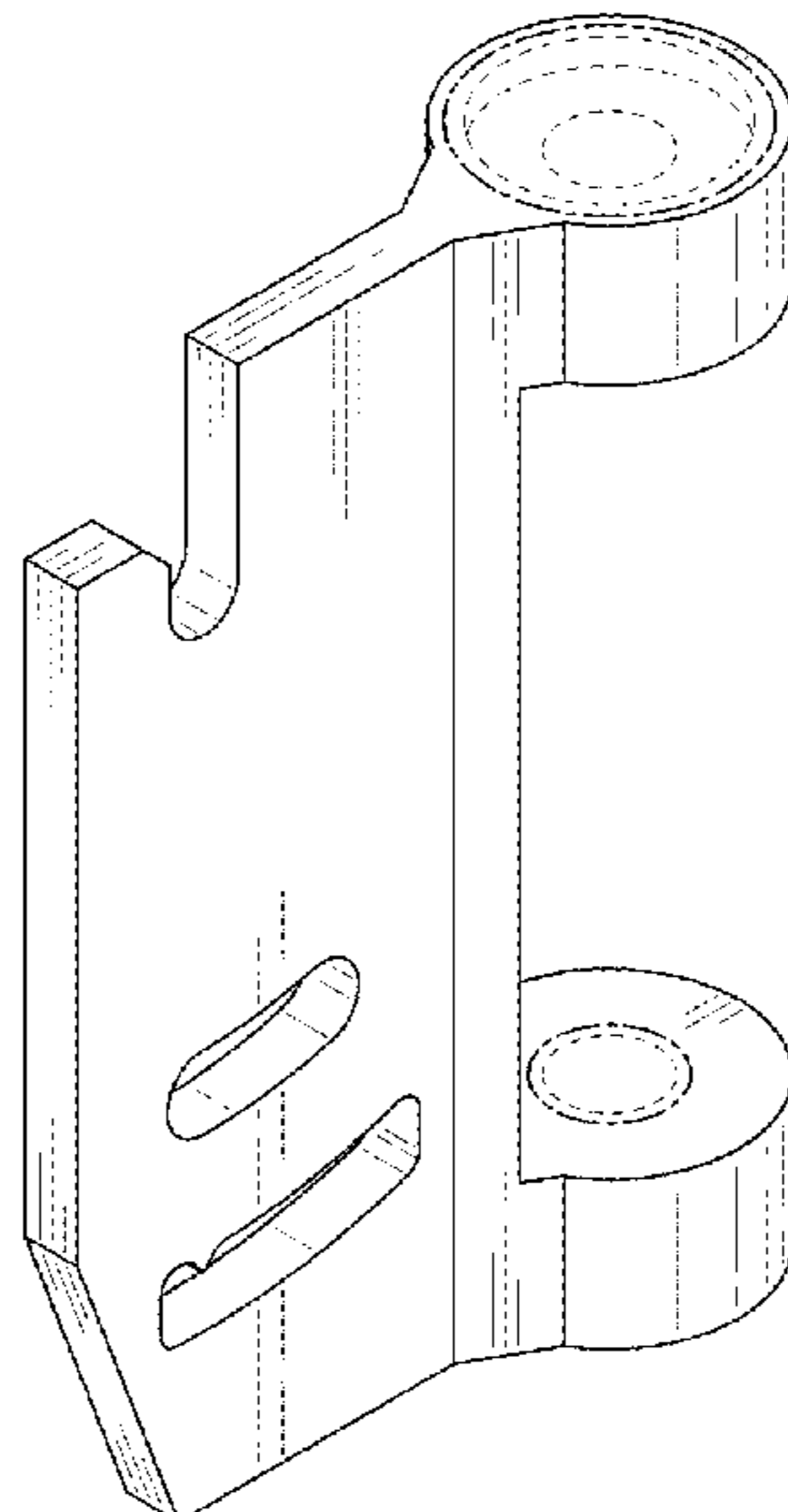
The ornamental design for a bracket, as shown and described.

**DESCRIPTION**

FIG. 1 is a front perspective view of a bracket showing our new design;  
FIG. 2 is a front view thereof;  
FIG. 3 is a rear view thereof;  
FIG. 4 is a left-side view thereof;  
FIG. 5 is a right-side view thereof;  
FIG. 6 is a top plan view thereof;  
FIG. 7 is a bottom plan view thereof;  
FIG. 8 is another perspective view thereof; and,  
FIG. 9 is another perspective view thereof as shown in an environment of use.

The broken lines are for environmental purposes only and form no part of the claimed design. The dot-dash lines define boundaries of the claimed design and form no part of claimed design.

**1 Claim, 8 Drawing Sheets**



(56)

**References Cited**

## U.S. PATENT DOCUMENTS

7,464,905	B2 *	12/2008	Wang .....	F16L 3/10 248/229.2
D584,599	S *	1/2009	Chavez .....	D8/356
D590,698	S *	4/2009	Moore .....	D8/363
D598,272	S *	8/2009	Tejszerski .....	D8/349
D614,477	S *	4/2010	Edwards .....	E04F 11/1834 D8/354
D615,847	S *	5/2010	Tezak .....	D8/349
D616,276	S *	5/2010	Friegang .....	D8/72
D622,131	S *	8/2010	Tezak .....	D8/349
D633,373	S *	3/2011	Grenade .....	D8/349
D633,780	S *	3/2011	Barrese .....	D8/363
D688,116	S *	8/2013	Kosir .....	D8/349
D688,547	S *	8/2013	Waugh .....	D8/349
D702,532	S *	4/2014	Garrido .....	D8/354
D727,716	S *	4/2015	Langle .....	D8/355
D735,017	S *	7/2015	Langle .....	D8/355
D737,863	S *	9/2015	Singh .....	D15/7
D752,421	S *	3/2016	Atkins .....	D8/373
D754,522	S *	4/2016	Wicken .....	D8/349
D758,174	S *	6/2016	Lee .....	D8/382
D761,084	S *	7/2016	Cox .....	D8/354
D761,085	S *	7/2016	Cox .....	D8/354
D761,645	S *	7/2016	Kim .....	D8/354
D762,109	S *	7/2016	Lee .....	D8/382
D763,069	S *	8/2016	Lee .....	D8/396
D771,522	S *	11/2016	Grenade .....	D11/182
D777,793	S *	1/2017	Singh .....	D15/7
D782,352	S *	3/2017	Simonton .....	D10/74
2008/0054126	A1 *	3/2008	Wang .....	F16L 3/10 248/51

\* cited by examiner

FIG. 1

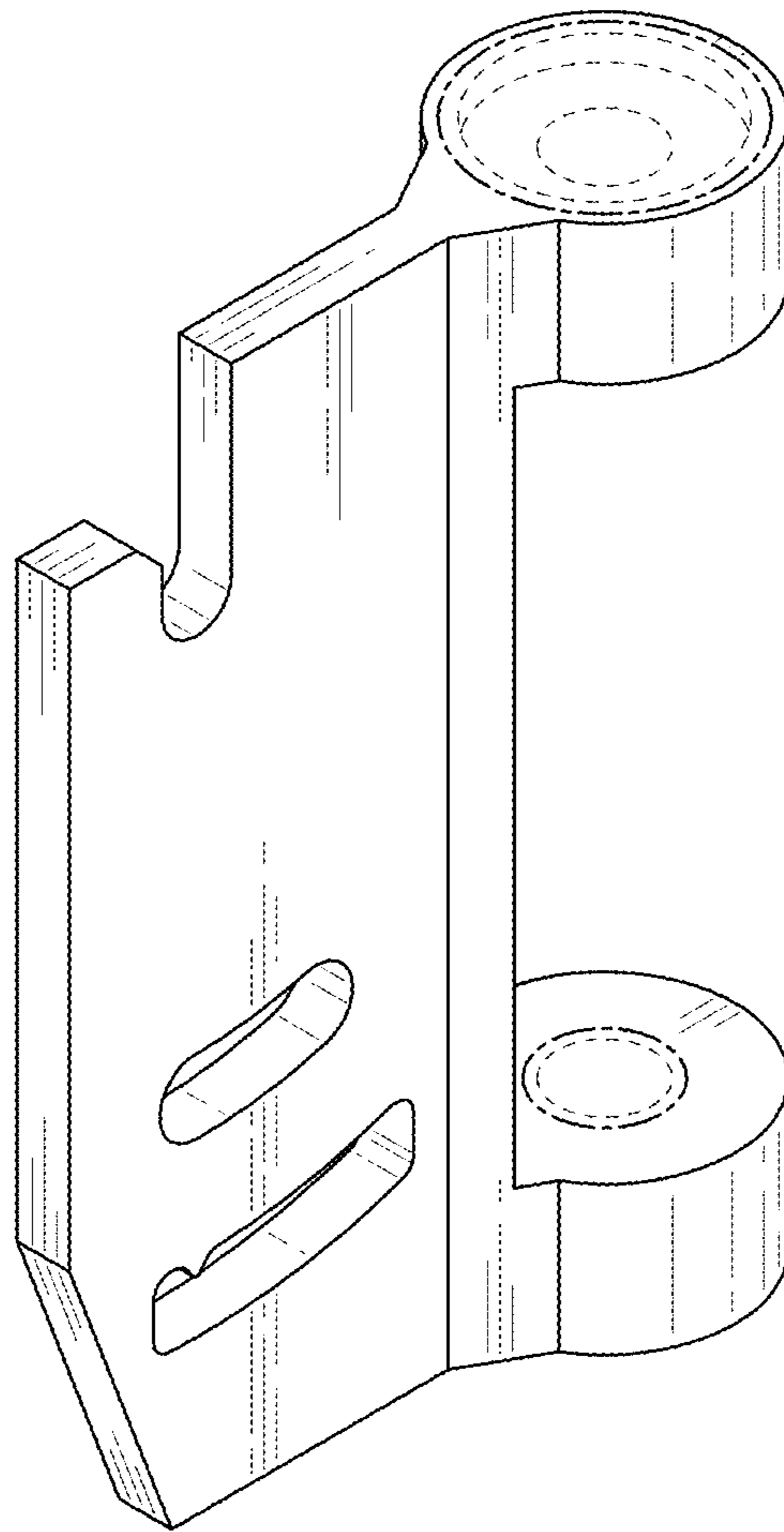


FIG. 2

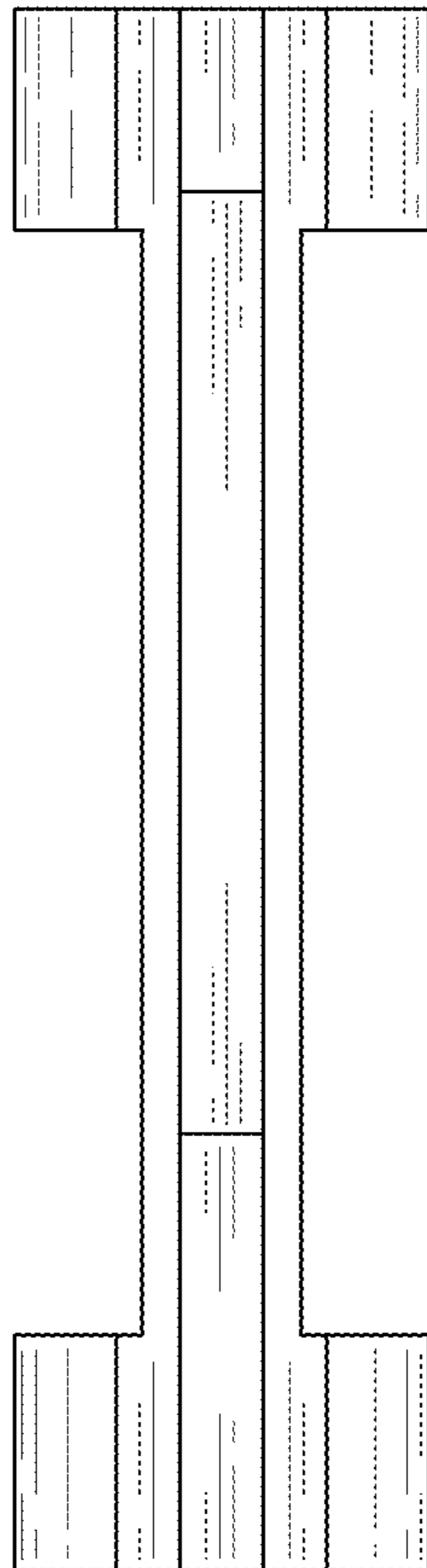


FIG. 3

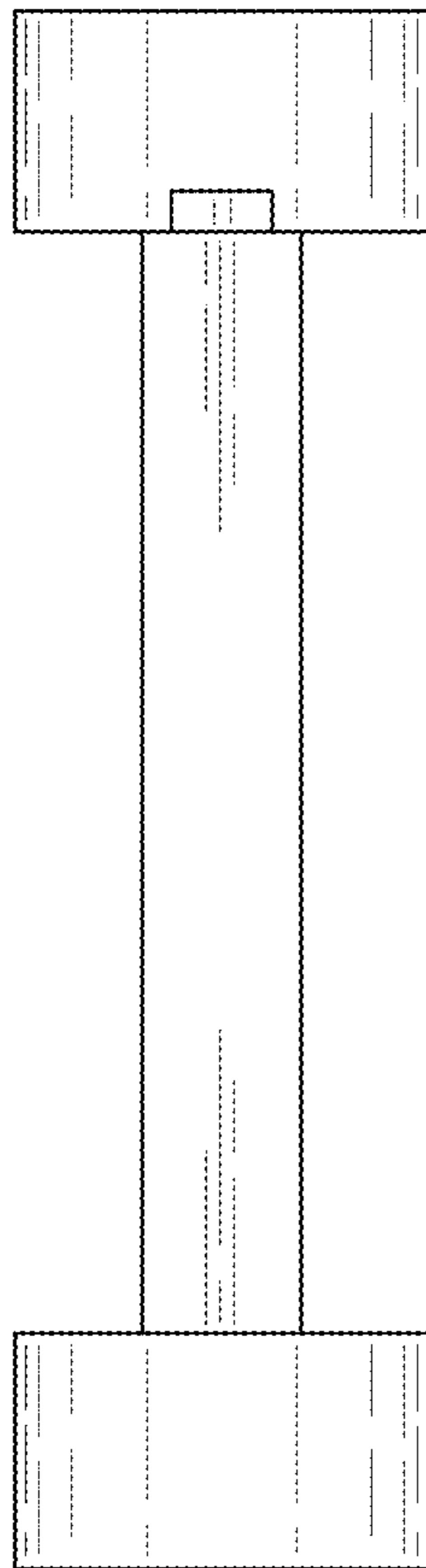


FIG. 4

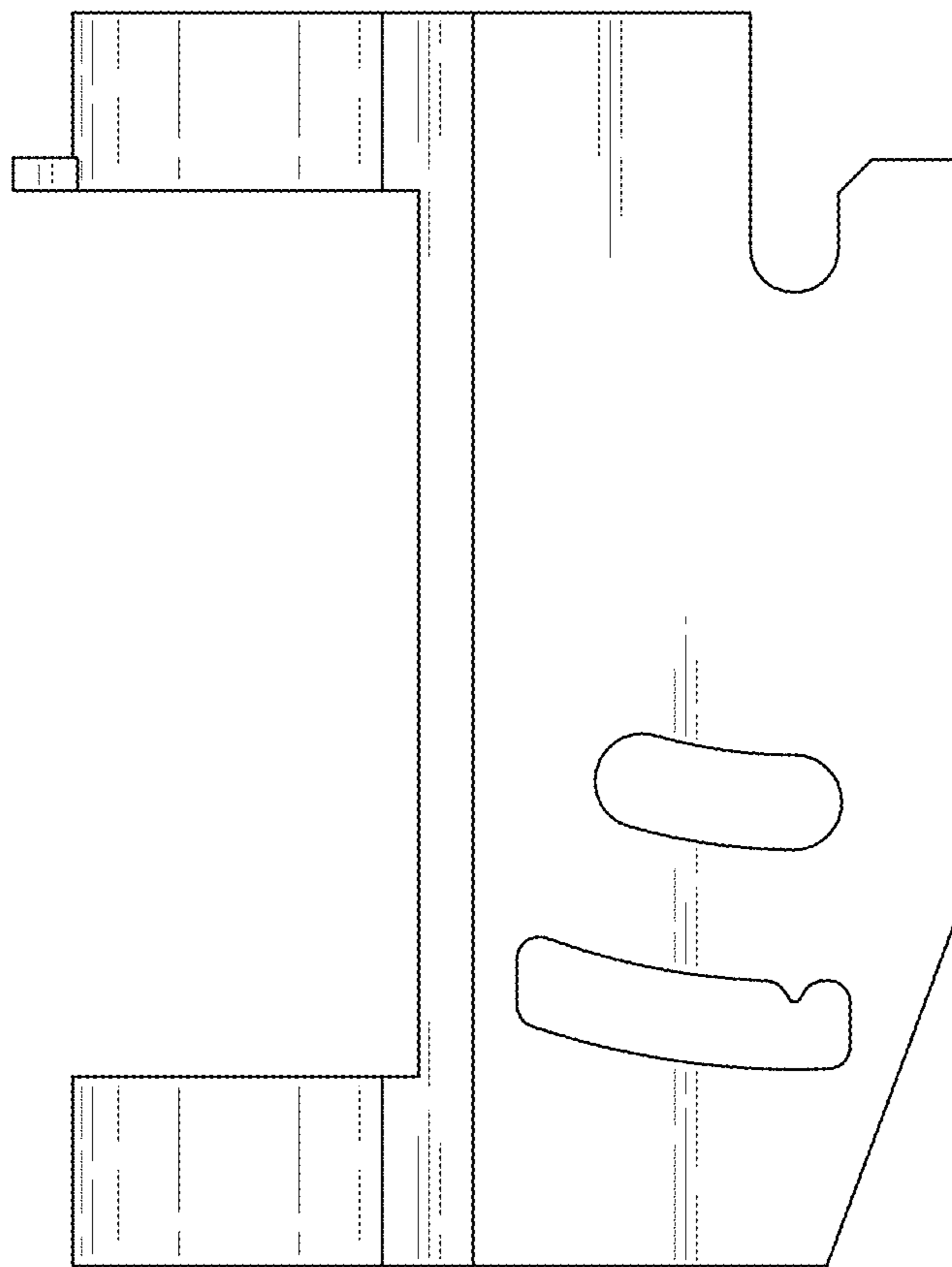


FIG. 5

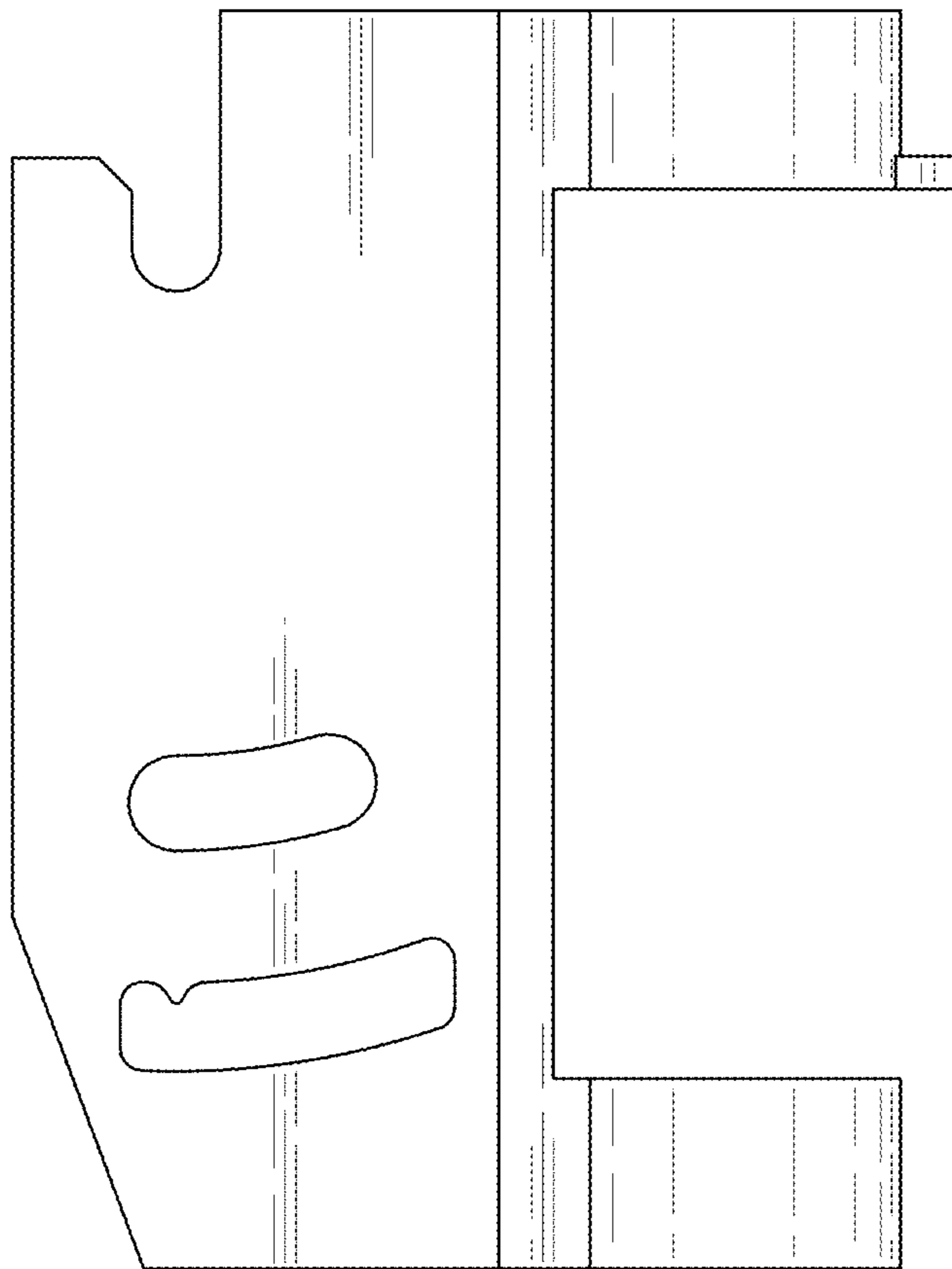


FIG. 6

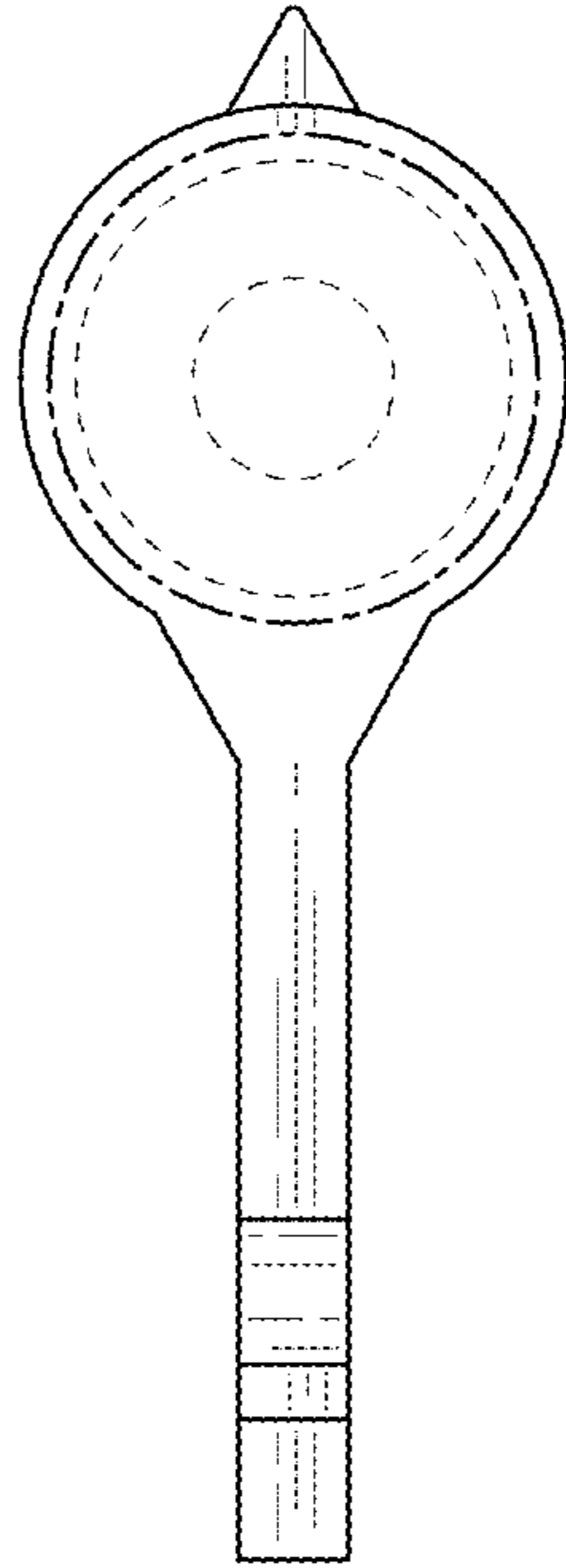


FIG. 7

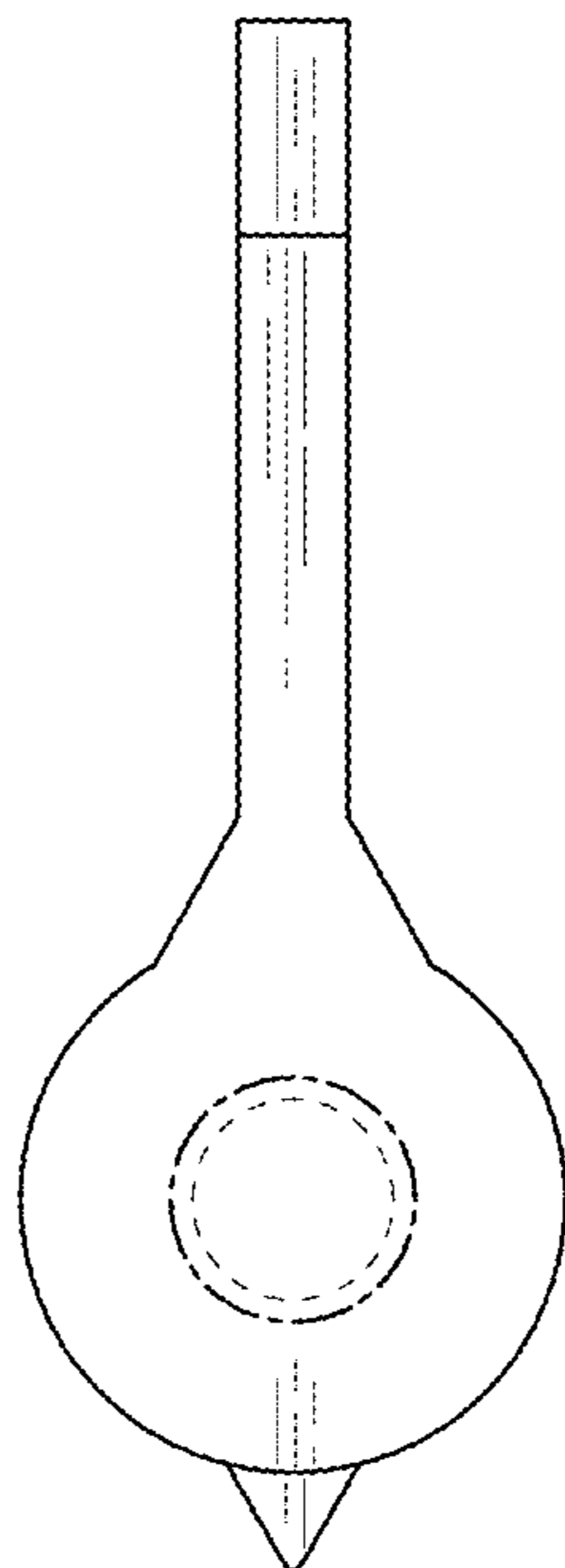




FIG. 8

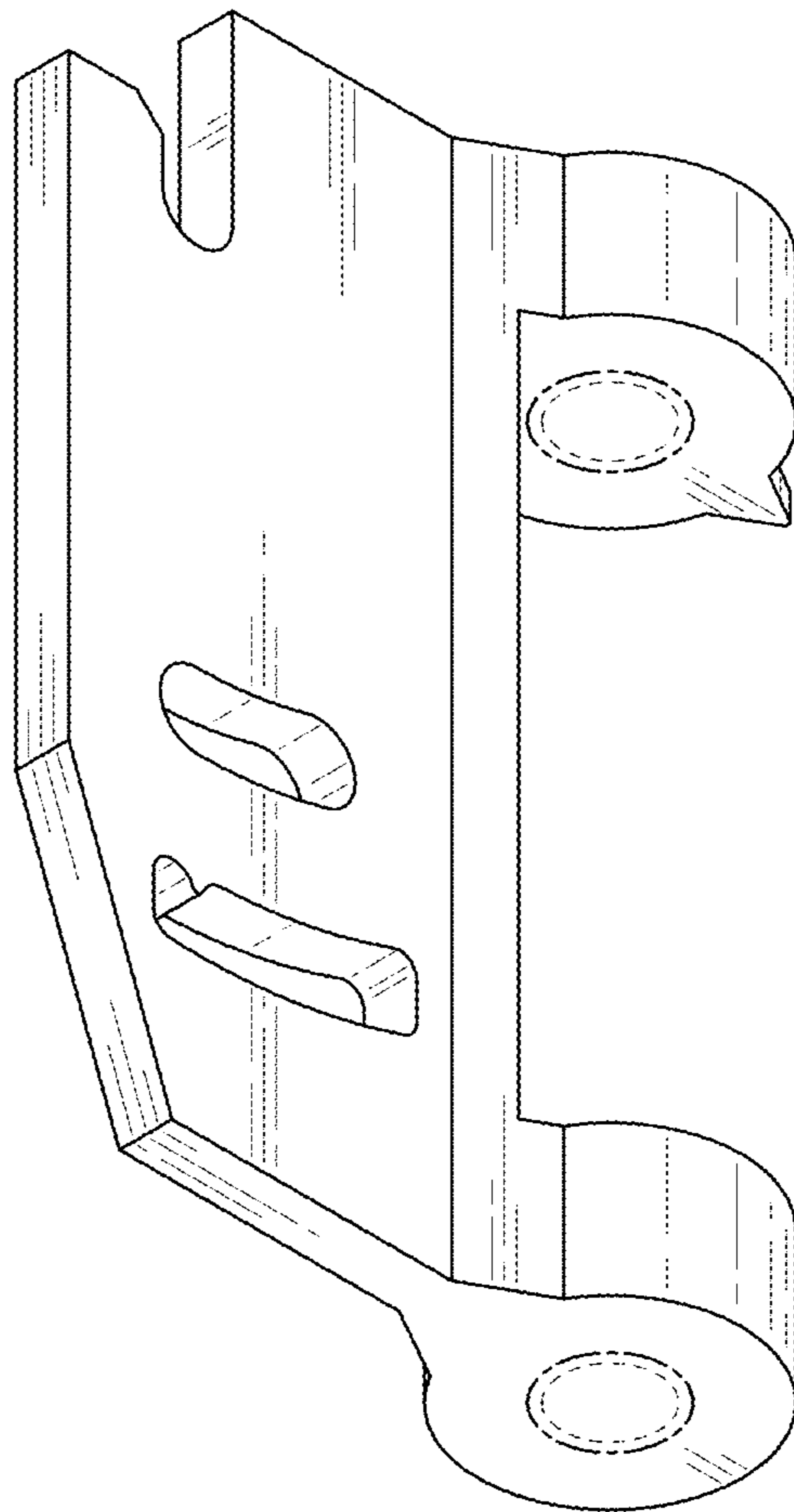


FIG. 9

