



US00D794420S

(12) **United States Design Patent**
Emmons

(10) **Patent No.:** **US D794,420 S**

(45) **Date of Patent:** **** Aug. 15, 2017**

(54) **GEAR OPERATOR UNIVERSAL MOUNTING BRACKET**

(71) Applicant: **Alfred L. Crossman, Inc**, Palm Harbor, FL (US)

(72) Inventor: **Matt Emmons**, Dunedin, FL (US)

(73) Assignee: **ALFRED L. CROSSMAN, INC.**, Palm Harbor, FL (US)

(**) Term: **15 Years**

(21) Appl. No.: **29/545,864**

(22) Filed: **Nov. 17, 2015**

(51) **LOC (10) Cl.** **08-05**

(52) **U.S. Cl.**
USPC **D8/349**

(58) **Field of Classification Search**
USPC D8/349, 363, 371, 373, 380, 354, 356, D8/381, 382, 383, 394, 396; 248/261, 248/262, 309.1; 160/349.1; D13/102, D13/118, 149, 154, 155, 184, 199
CPC E04H 17/1421; E04H 2017/1473; A47G 1/00; A47G 25/00; F16L 3/00
See application file for complete search history.

(56) **References Cited**

U.S. PATENT DOCUMENTS

| | | | |
|--------------|---------|----------------------|---------|
| D263,730 S * | 4/1982 | Oribin | D21/839 |
| D267,471 S * | 1/1983 | Mundorf | D15/5 |
| D267,699 S * | 1/1983 | Prawl | D8/354 |
| D342,011 S * | 12/1993 | Maguire | D8/349 |
| D349,639 S * | 8/1994 | Kimbrell | D8/349 |
| D355,349 S * | 2/1995 | Taparuskas, Jr. | D8/349 |
| D358,795 S * | 5/1995 | Viola | D12/187 |
| D399,724 S * | 10/1998 | Barringer | D8/354 |
| D434,637 S * | 12/2000 | Habeck | D8/349 |
| D445,019 S * | 7/2001 | Vitetta | D8/349 |
| D456,821 S * | 5/2002 | Ege | D15/28 |
| D504,609 S * | 5/2005 | Ferguson | D8/354 |

| | | | |
|--------------|---------|------------------|--------|
| D551,537 S * | 9/2007 | Richardson | D8/354 |
| D556,016 S * | 11/2007 | Curtas | D8/354 |
| D557,116 S * | 12/2007 | Zakowski | D8/354 |
| D557,117 S * | 12/2007 | Cannaverde | D8/354 |
| D572,571 S * | 7/2008 | Terada | D8/354 |
| D598,272 S * | 8/2009 | Tejszerski | D8/349 |

(Continued)

Primary Examiner — Mark Goodwin

(74) *Attorney, Agent, or Firm* — Maxey Law Offices, PLLC; Stephen Lewellyn

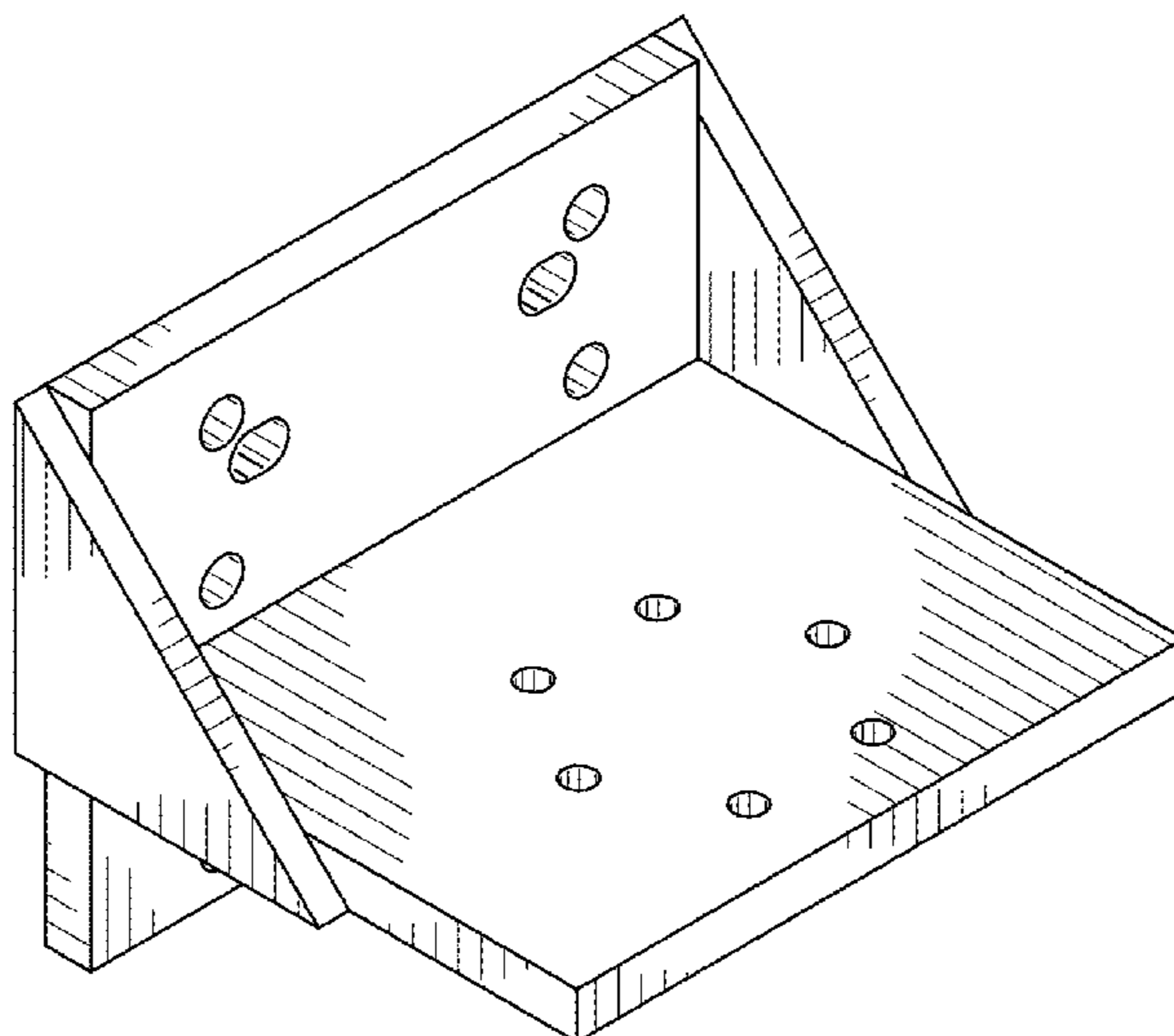
(57) **CLAIM**

The ornamental design for a gear operator universal mounting bracket, as shown and described.

DESCRIPTION

FIG. 1 is a top-front perspective view of the gear operator universal mounting bracket;
 FIG. 2 is a bottom-rear perspective view of the gear operator universal mounting bracket;
 FIG. 3 is a top plan view of the gear operator universal mounting bracket;
 FIG. 4 is a bottom plan view of the gear operator universal mounting bracket;
 FIG. 5 is a side elevation view of the gear operator universal mounting bracket, the opposite side being a mirror image;
 FIG. 6 is a front elevation view of the gear operator universal mounting bracket;
 FIG. 7 is a rear elevation view of the gear operator universal mounting bracket;
 FIG. 8 is a bottom-front environmental perspective view of the gear operator universal mounting bracket wherein the broken lines are environmental structure only and form no part of the claimed design; and,
 FIG. 9 is a top-front environmental perspective view of the gear operator universal mounting bracket wherein the broken lines are environmental structure only and form no part of the claimed design.

1 Claim, 6 Drawing Sheets



(56)

References Cited

U.S. PATENT DOCUMENTS

D599,190 S * 9/2009 Huang D8/354
D614,477 S * 4/2010 Edwards E04F 11/1834
D8/354
D615,847 S * 5/2010 Tezak D8/349
D619,879 S * 7/2010 McCarthy D8/354
D621,692 S * 8/2010 Clarke D8/354
D622,131 S * 8/2010 Tezak D8/349
D633,373 S * 3/2011 Grenade D8/349
D654,350 S * 2/2012 Preda D8/354
D688,116 S * 8/2013 Kosir D8/349
D688,547 S * 8/2013 Waugh D8/349
D695,091 S * 12/2013 Nunez Farfan D8/354
D695,592 S * 12/2013 White D8/354
D695,593 S * 12/2013 Nunez Farfan D8/354
D701,107 S * 3/2014 White D8/354
D701,108 S * 3/2014 Rodgers D8/354
D702,532 S * 4/2014 Garrido D8/354
D711,211 S * 8/2014 Walker D8/349
D727,716 S * 4/2015 Langle D8/355
D735,017 S * 7/2015 Langle D8/355
D735,770 S * 8/2015 Schaffert D15/28
D737,663 S * 9/2015 Kandakur D15/5
D737,863 S * 9/2015 Singh D15/7
D742,721 S * 11/2015 Cosby D8/349
D746,122 S * 12/2015 Stoops D8/349
D747,177 S * 1/2016 McGinty D8/349
D754,525 S * 4/2016 Kandakur D8/354
D761,645 S * 7/2016 Kim D8/354
D777,793 S * 1/2017 Singh D15/7

* cited by examiner

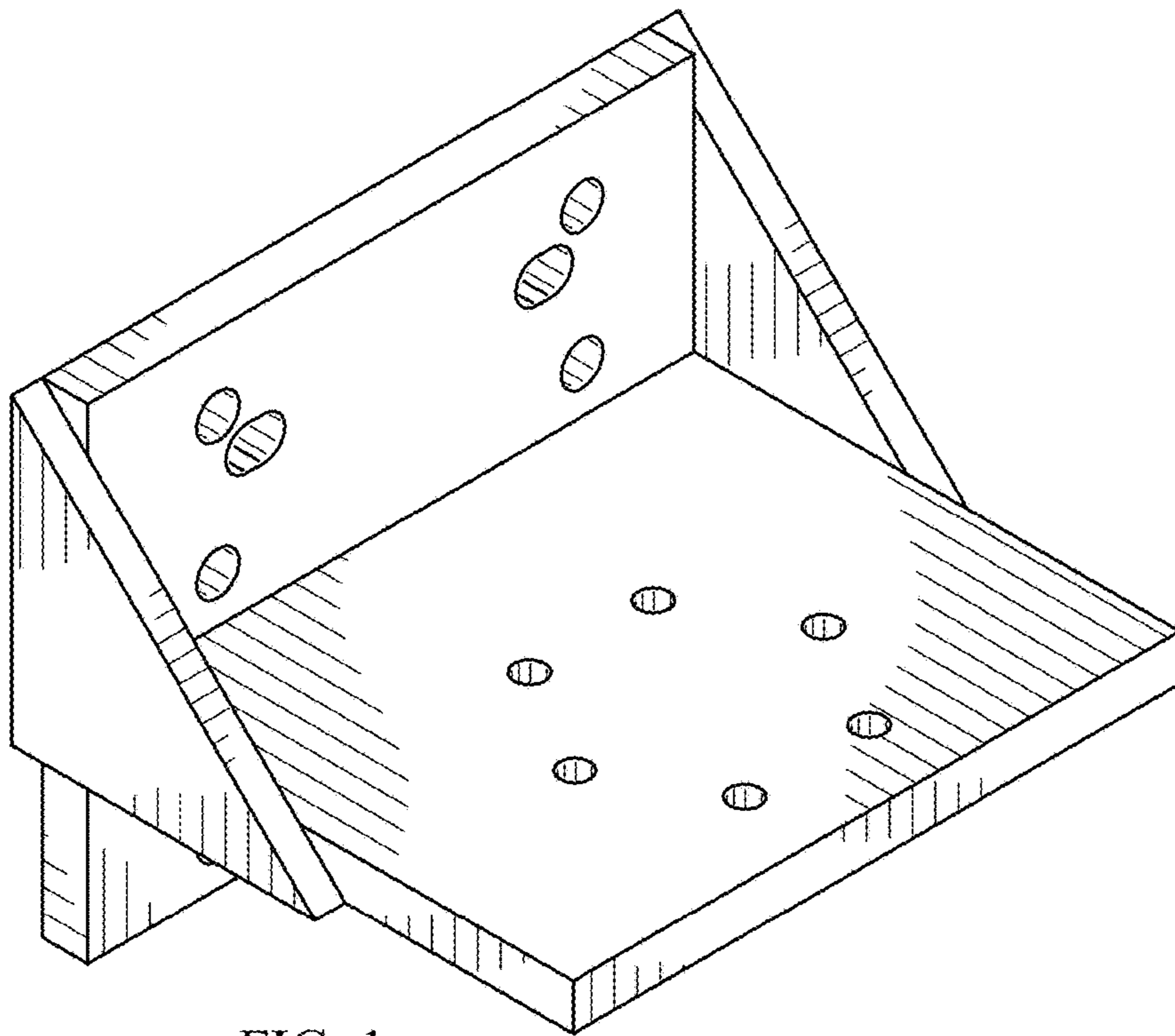


FIG. 1

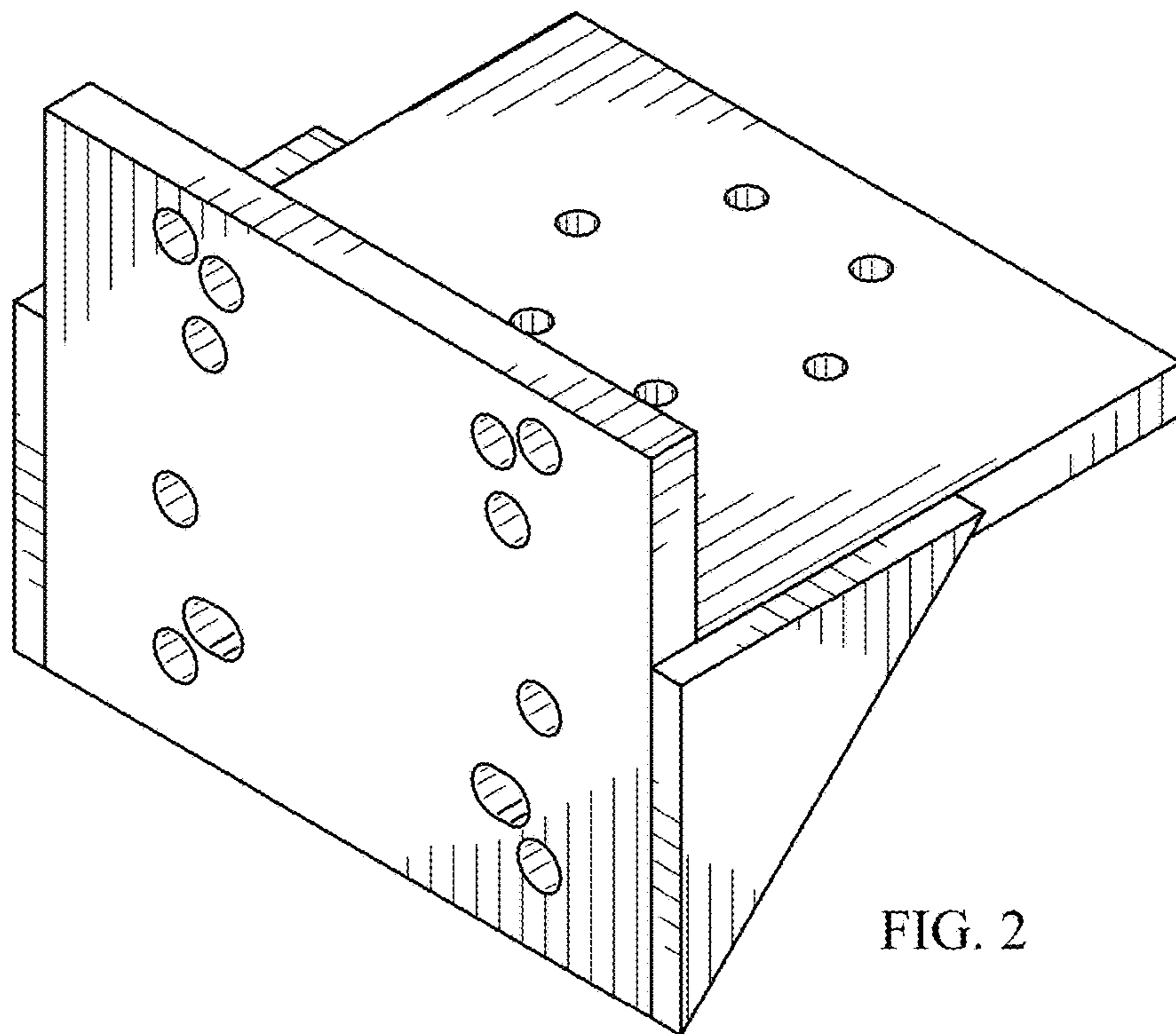


FIG. 2

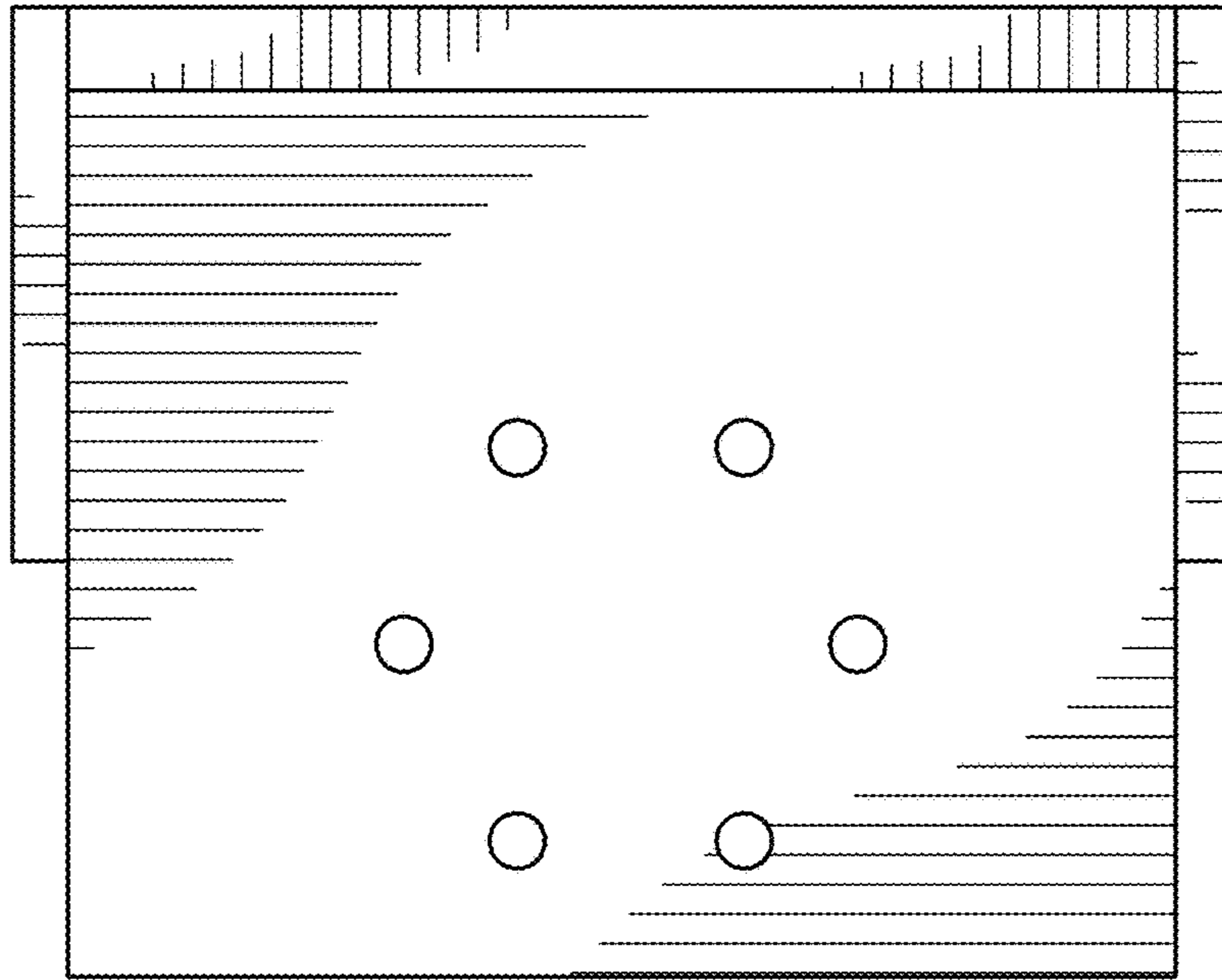


FIG. 3

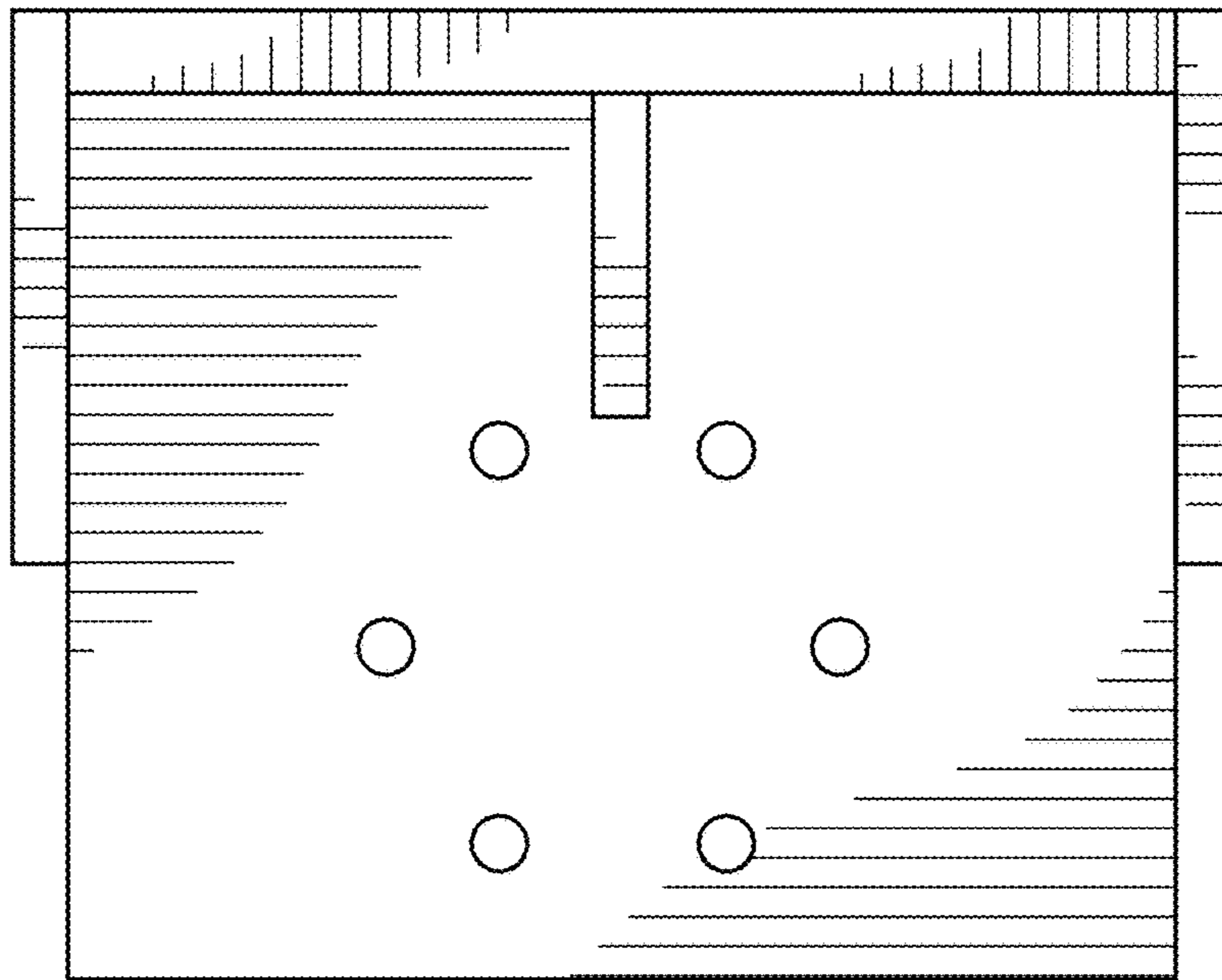


FIG. 4

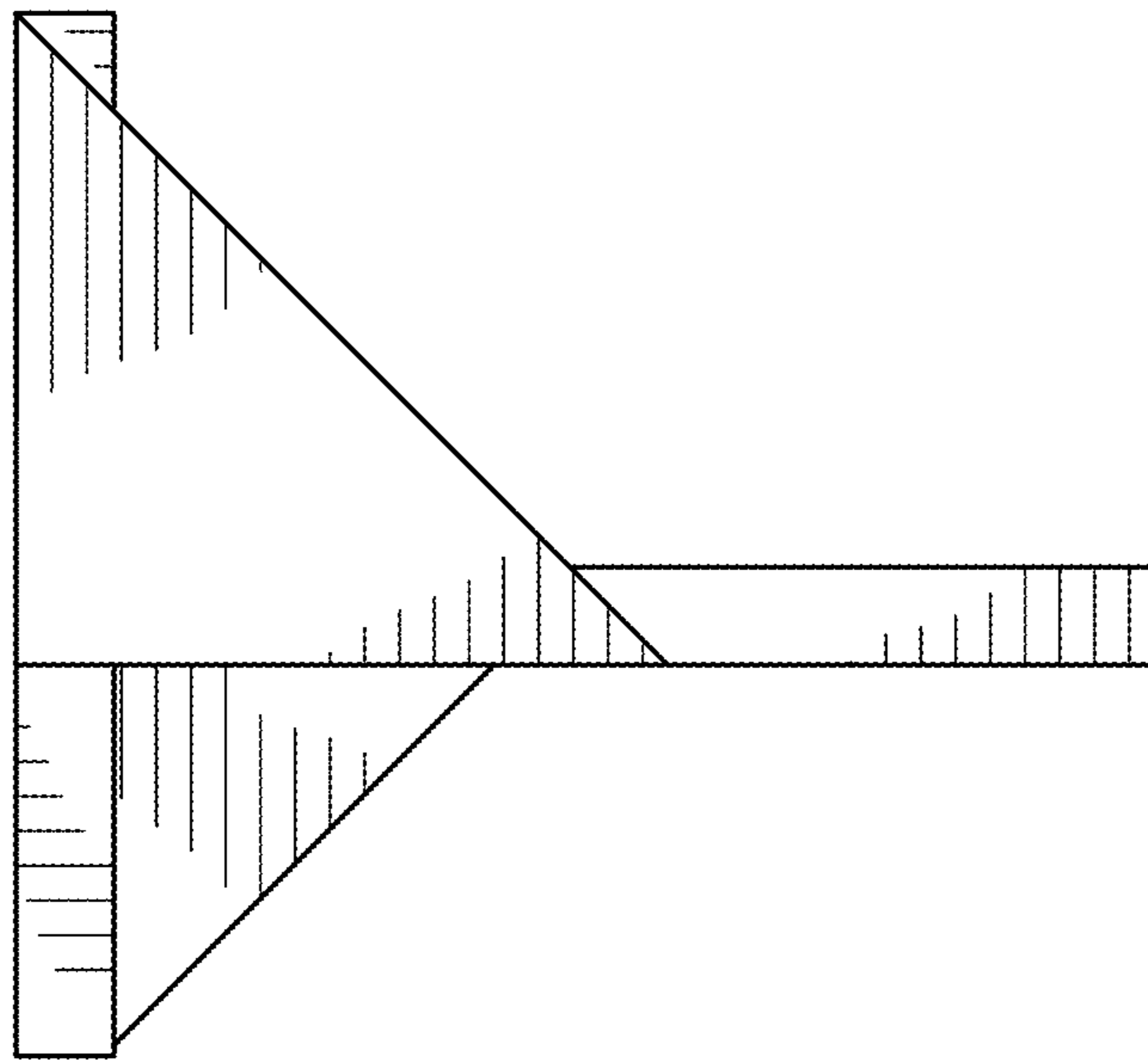


FIG. 5

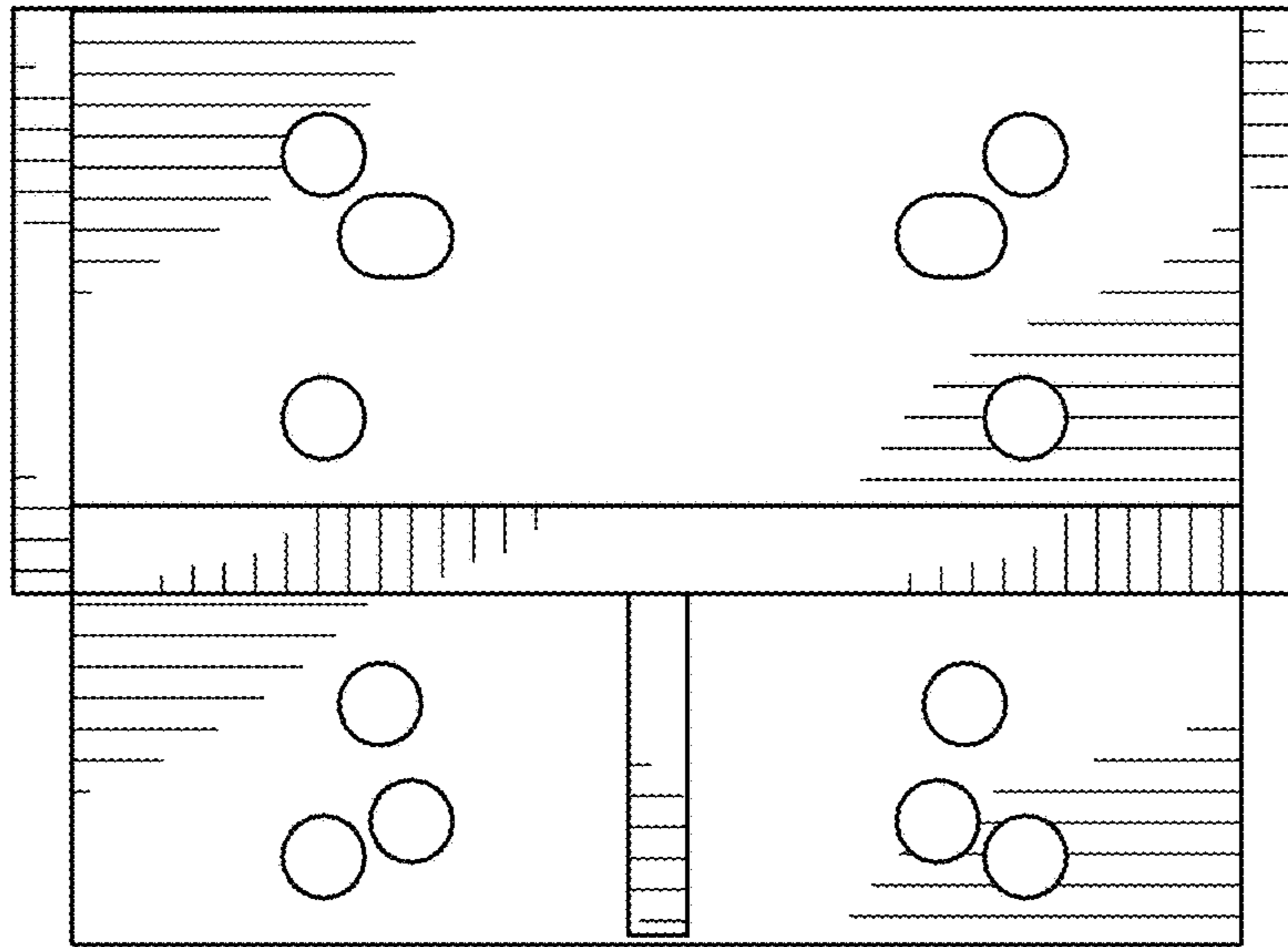


FIG. 6

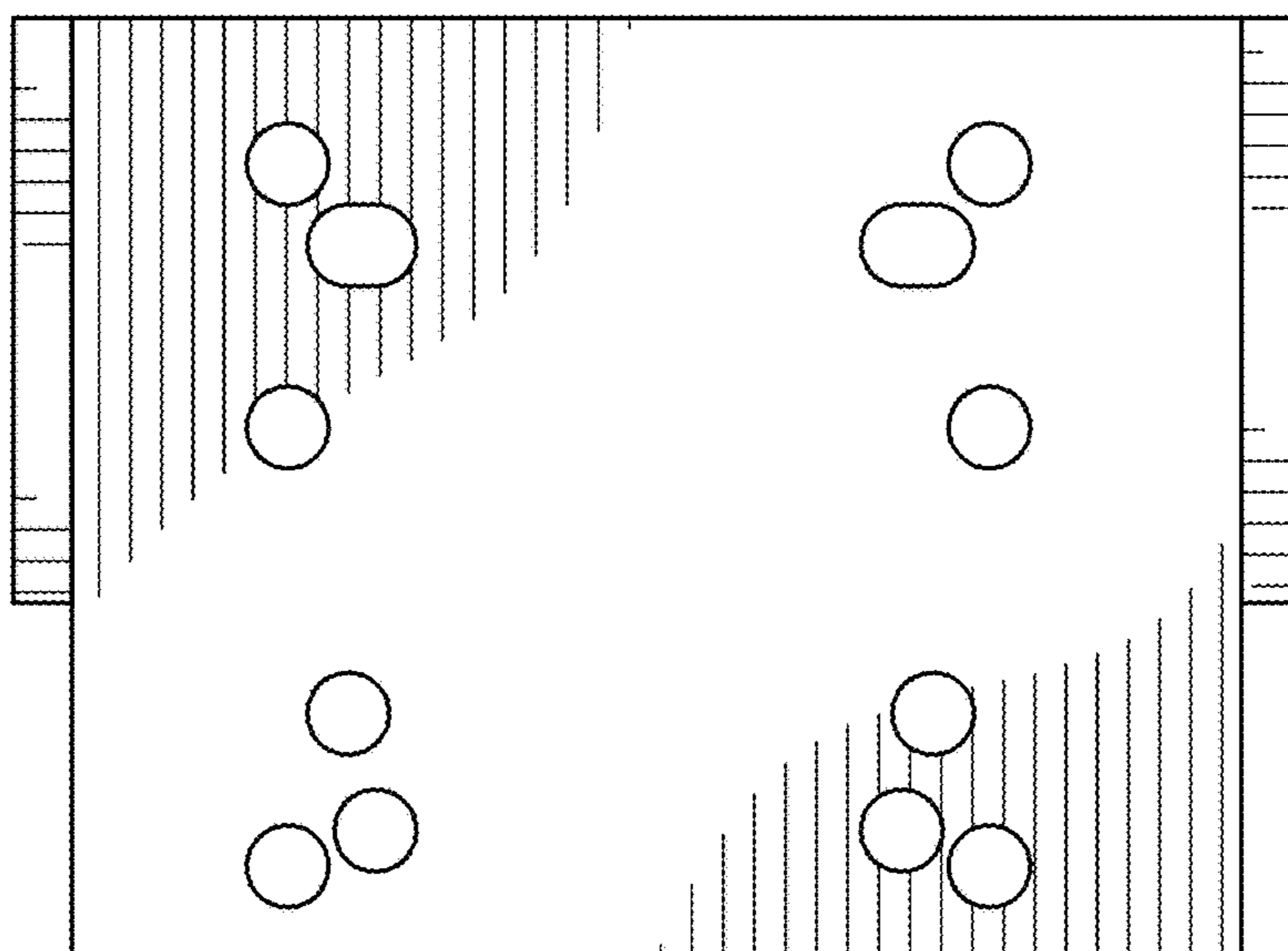


FIG. 7

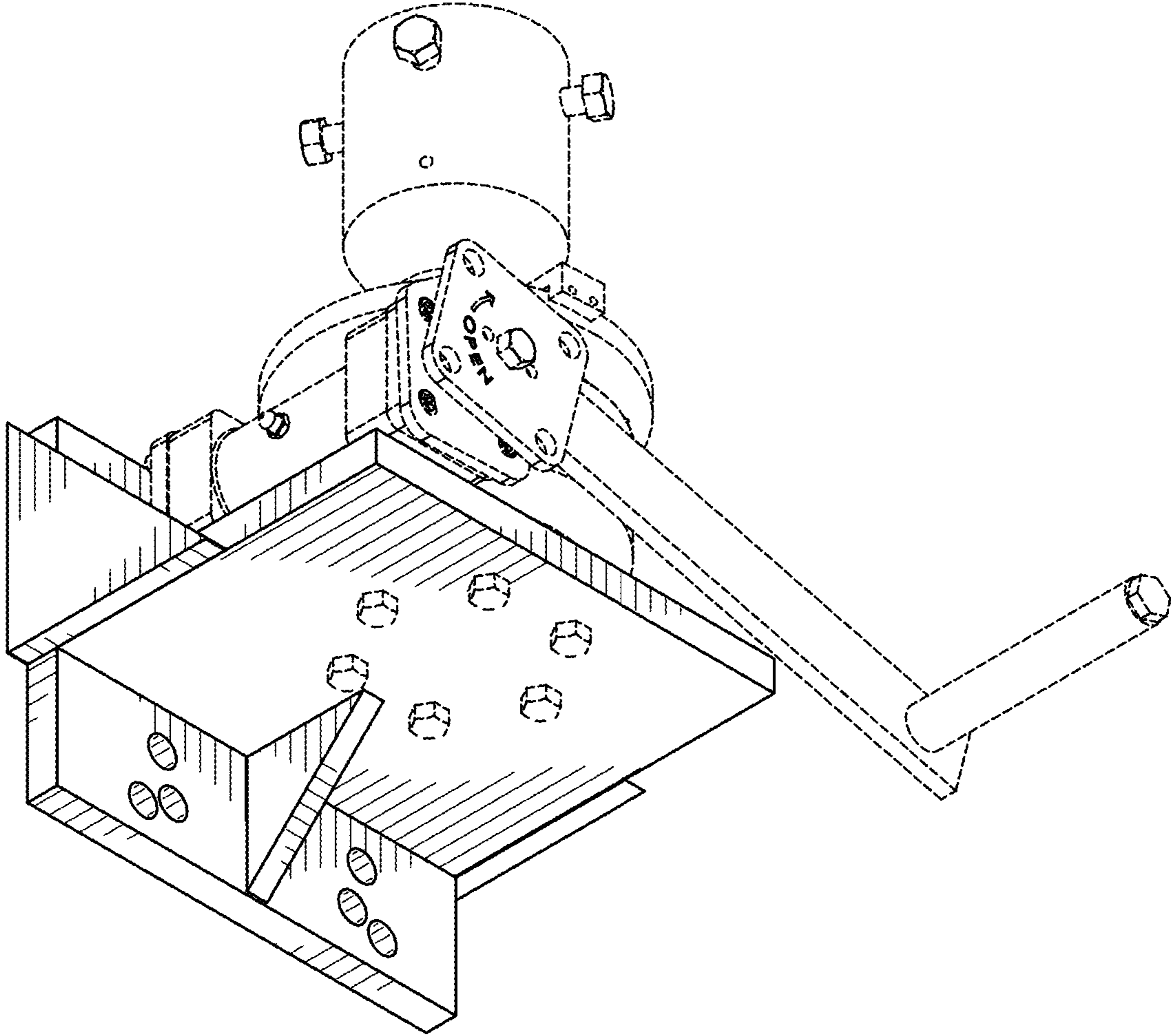


FIG. 8

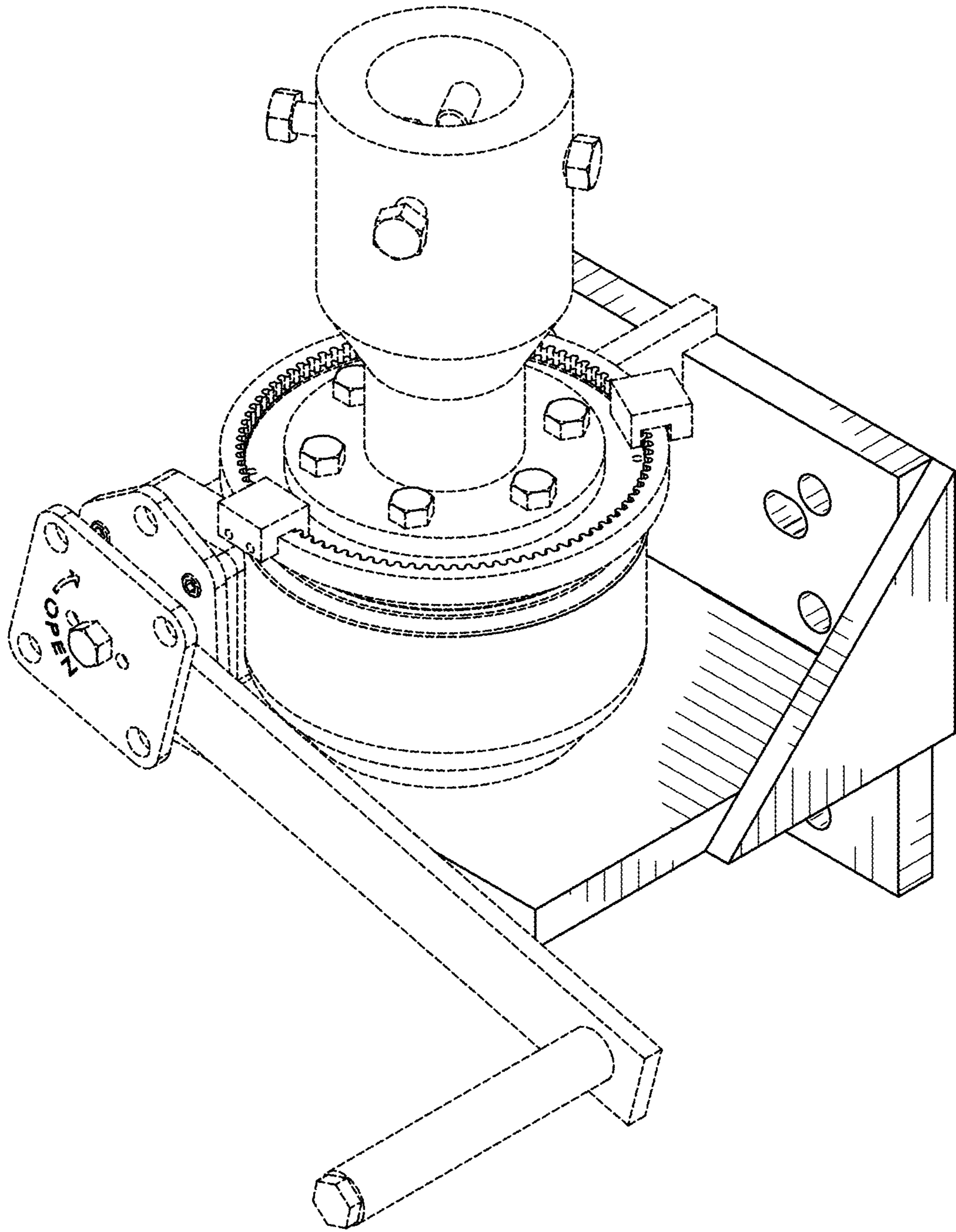


FIG. 9