



US00D794419S

(12) **United States Design Patent**
Rock et al.

(10) **Patent No.:** **US D794,419 S**

(45) **Date of Patent:** **** Aug. 15, 2017**

(54) **SUPPORT MOUNT**

(71) Applicants: **Ty Vyn Rock**, Marblehead, MA (US);
Alex Oksengendler, Buffalo Grove, IL (US)

(72) Inventors: **Ty Vyn Rock**, Marblehead, MA (US);
Alex Oksengendler, Buffalo Grove, IL (US)

(73) Assignee: **OSRAM SYLVANIA Inc.**, Wilmington, MA (US)

(**) Term: **14 Years**

(21) Appl. No.: **29/492,244**

(22) Filed: **May 29, 2014**

(51) **LOC (10) Cl.** **08-05**

(52) **U.S. Cl.**
USPC **D8/349**; D26/138

(58) **Field of Classification Search**
USPC D8/354; D26/138, 76, 78, 79, 80;
D12/135; 26/99, 81, 82, 83, 85, 86, 88,
26/90, 113, 118, 119, 120, 121, 122, 139,
26/140, 141, 142
CPC F28S 2/00; F21S 4/00; F21S 4/003; F21S
4/005; F21S 4/006; F21S 4/007; F21S
4/008; F21S 6/00; F21S 8/00; F21S
8/024; F21S 8/026; F21S 8/031; F21S
8/033; F21S 8/035-8/037; F21S 8/04;
F21S 8/043; F21S 8/063
See application file for complete search history.

(56) **References Cited**

U.S. PATENT DOCUMENTS

4,198,109 A * 4/1980 Ustin H01R 33/0827
439/239
5,469,348 A * 11/1995 Wong H01R 33/08
362/147

D371,861 S * 7/1996 Stamm D26/140
D391,010 S * 2/1998 Shen D26/140
5,904,415 A * 5/1999 Robertson F21V 19/008
362/217.16
D457,977 S * 5/2002 Mier-Langner D26/63
D493,425 S * 7/2004 Henrici D13/134
D560,022 S * 1/2008 Niece D26/138
D569,544 S * 5/2008 Aubrey D26/138
D577,854 S * 9/2008 Tufano D26/138
D583,323 S * 12/2008 Ohmori D13/134
D583,323 S * 12/2008 Ohmori D13/134
D583,760 S * 12/2008 Ohmori D13/134
D591,237 S * 4/2009 Ohmori D13/134
D594,416 S * 6/2009 Ohmori D13/134
7,597,575 B2 * 10/2009 Tufano H01R 4/4818
439/239
D605,809 S * 12/2009 Noh D26/76
D612,533 S * 3/2010 Kim D26/138
D615,852 S * 5/2010 Sullivan D8/380
D621,995 S * 8/2010 Redfern D26/138
D621,996 S * 8/2010 Redfern D26/138

(Continued)

Primary Examiner — Mark Goodwin

(74) *Attorney, Agent, or Firm* — Shaun P. Montana

(57) **CLAIM**

The ornamental design for a support mount, as shown and described.

DESCRIPTION

FIG. 1 is a perspective view of a support mount showing our new design.

FIG. 2 is a front view thereof, the back view being identical thereof.

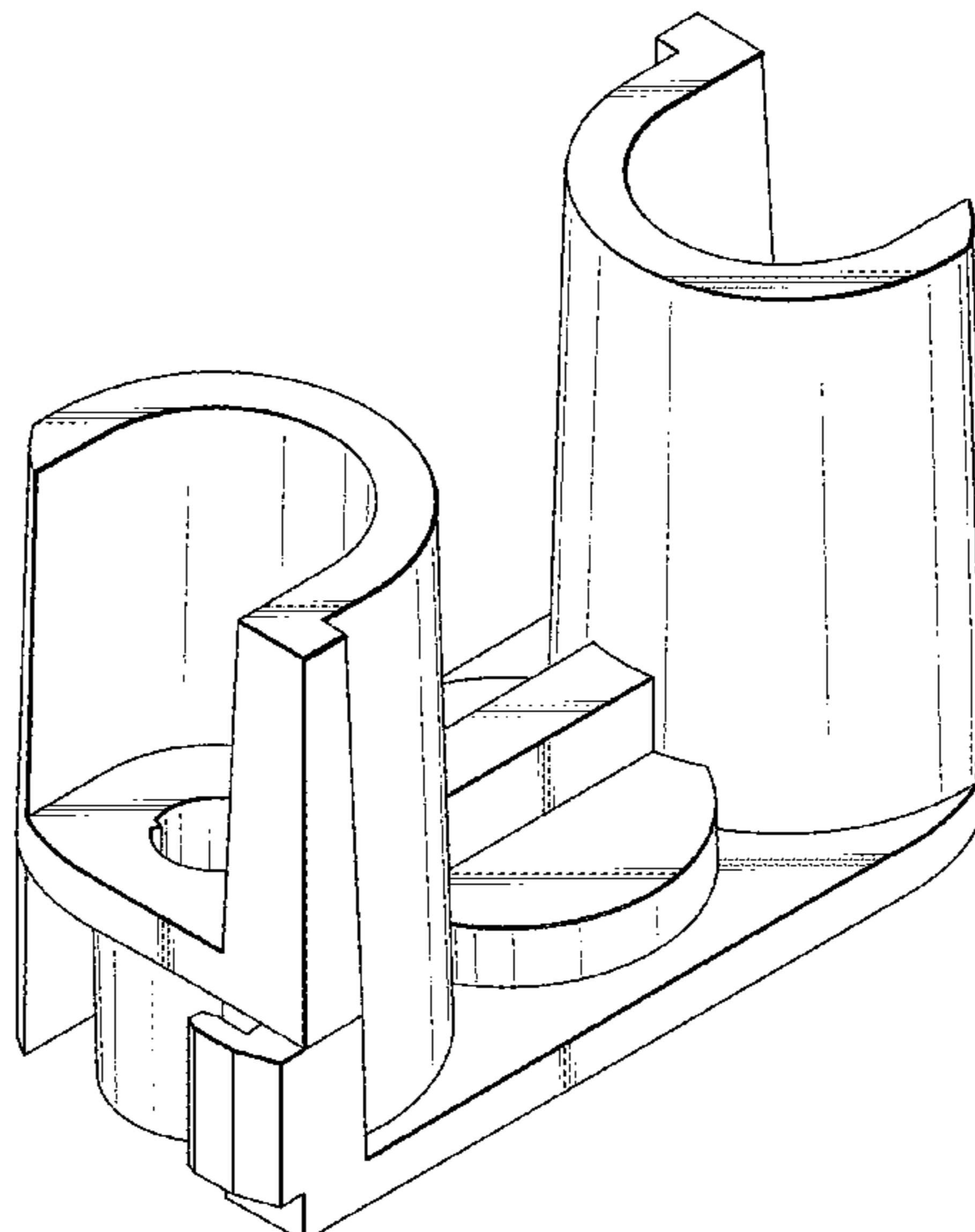
FIG. 3 is a side view thereof.

FIG. 4 is a top view thereof; and,

FIG. 5 is a bottom view thereof.

The broken-line disclosure in the views is understood to represent portions of the article in which the claimed design is embodied, but which form no part of the claimed design.

1 Claim, 4 Drawing Sheets



(56)

References Cited

U.S. PATENT DOCUMENTS

8,123,540 B2 * 2/2012 Galluccio H01R 33/08
439/241
8,333,602 B2 * 12/2012 Galluccio H01R 33/0836
439/241
D737,772 S * 9/2015 Eustace D13/134
D746,510 S * 12/2015 Antony D26/138

* cited by examiner

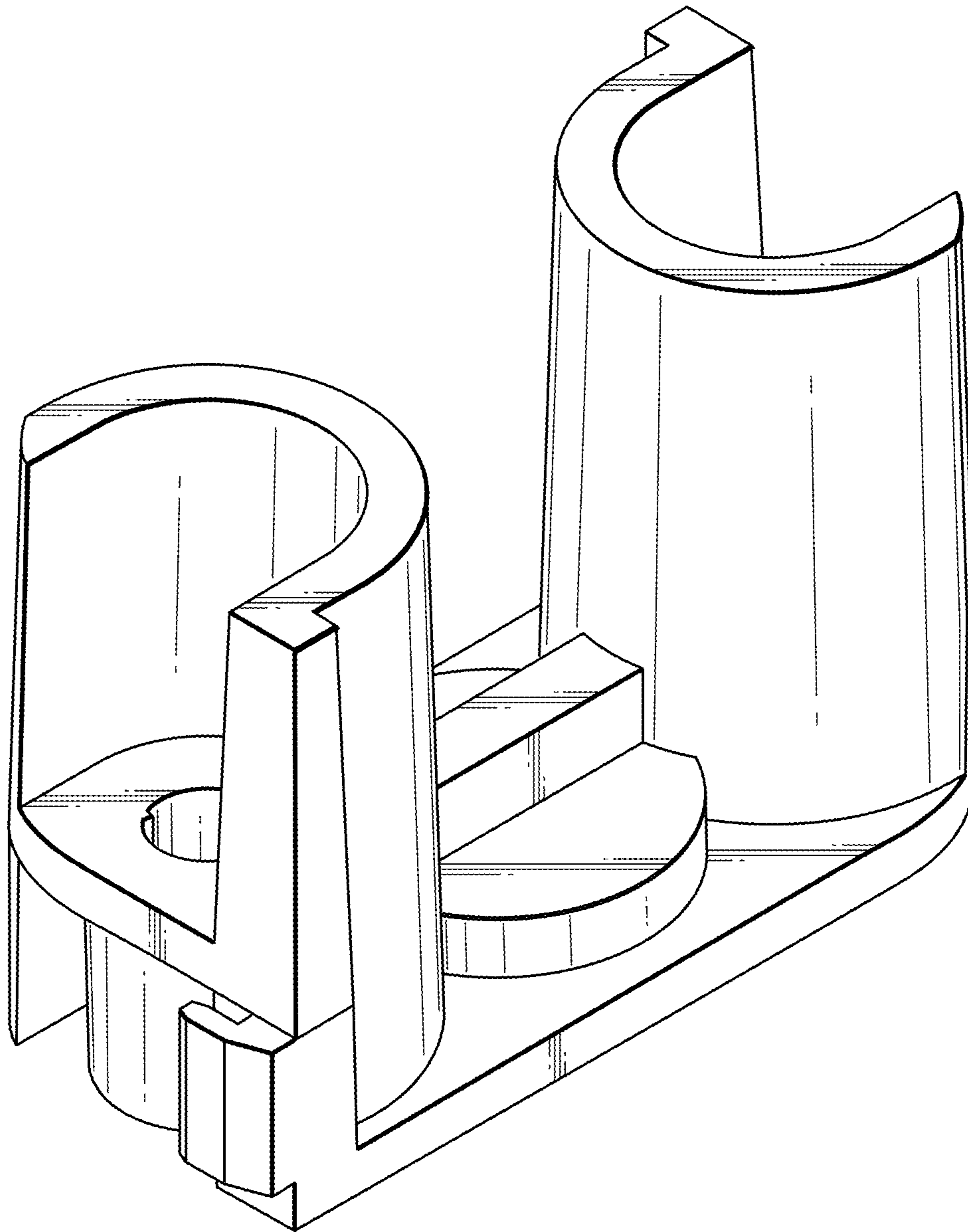


FIG. 1

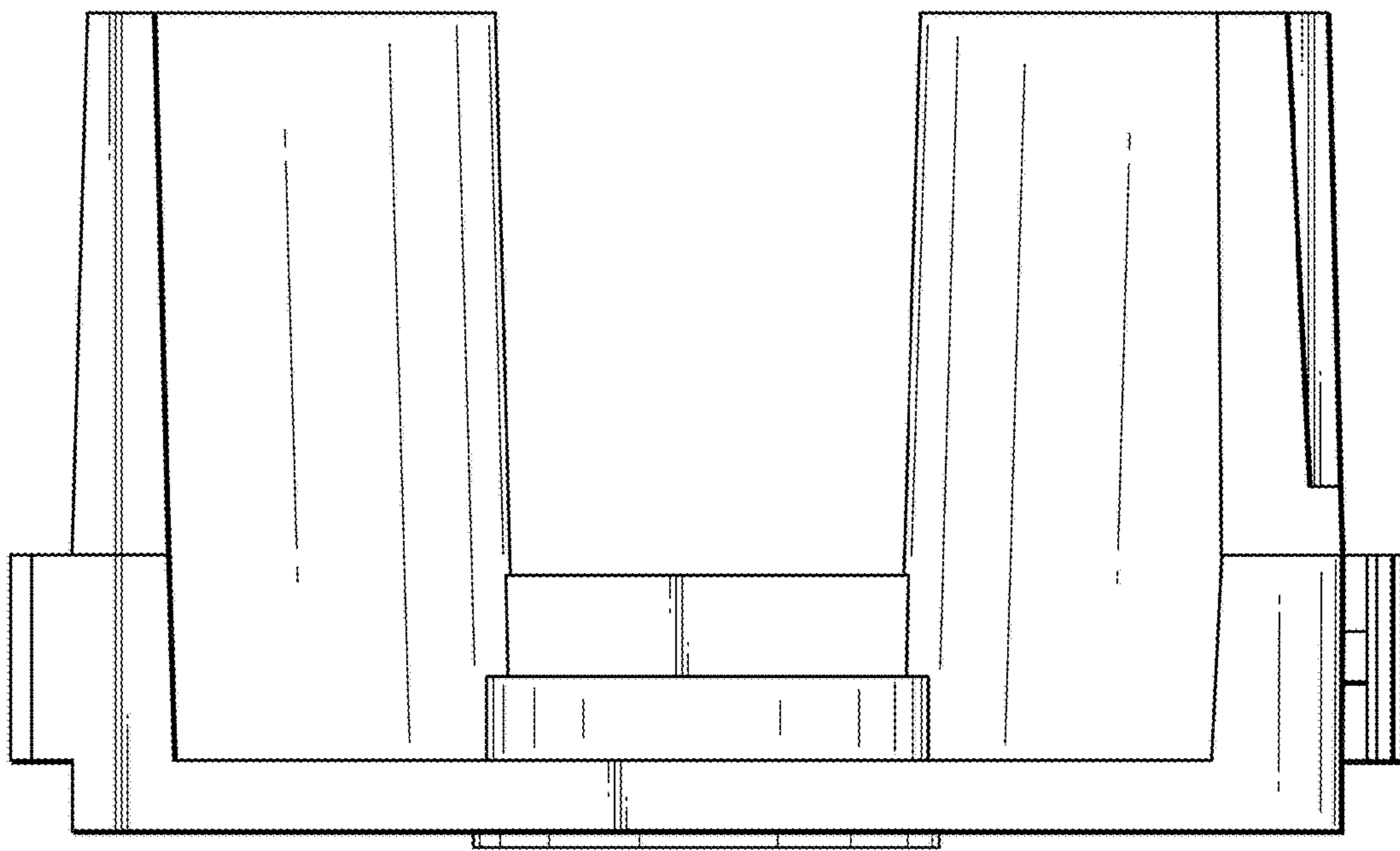


FIG. 2

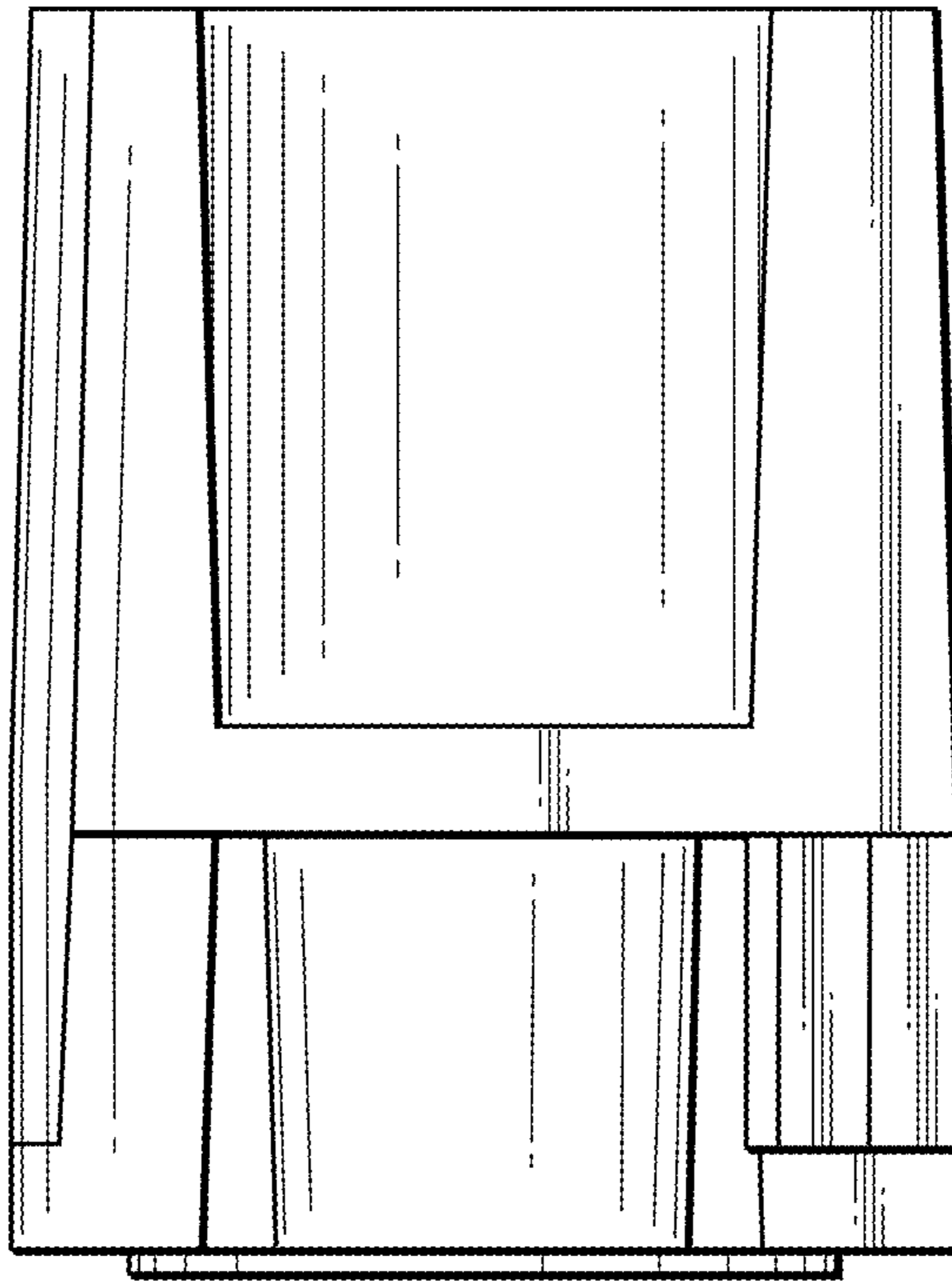


FIG. 3

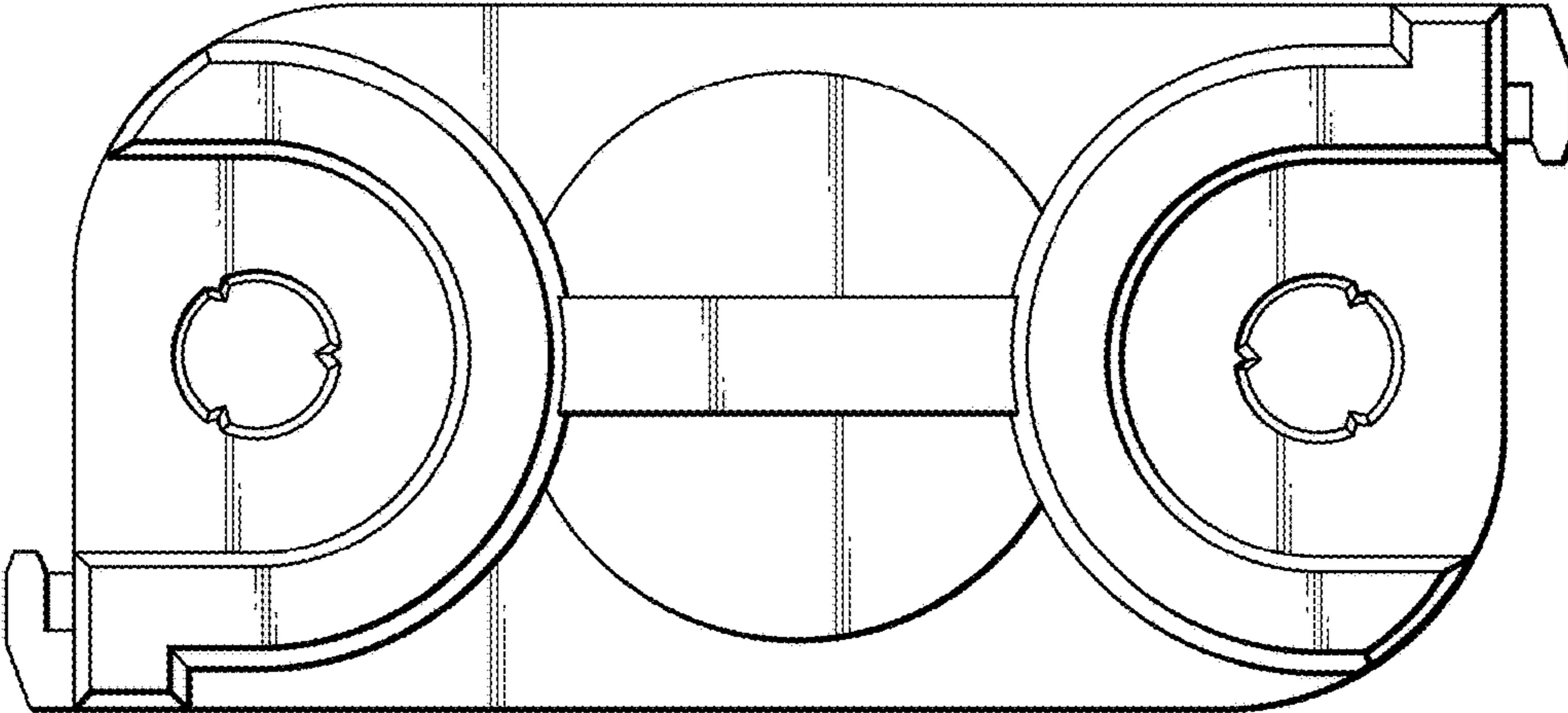


FIG. 4

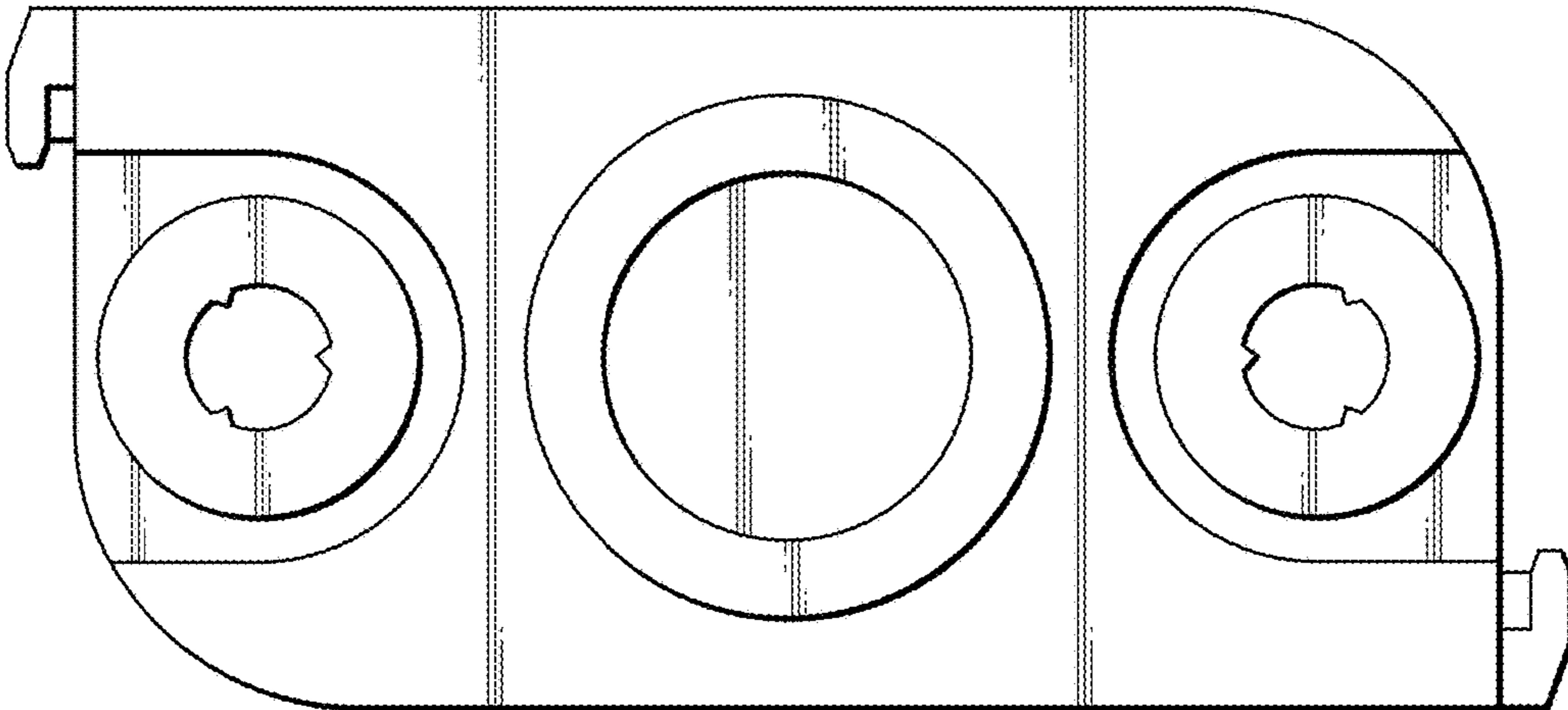


FIG. 5