



US00D794418S

(12) **United States Design Patent** (10) **Patent No.:** **US D794,418 S**
Yardley et al. (45) **Date of Patent:** **** Aug. 15, 2017**

(54) **KEY LOCKBOX**
(71) Applicants: **James Yardley**, Wilmette, IL (US);
Cameron Adams, Winnetka, IL (US)
(72) Inventors: **James Yardley**, Wilmette, IL (US);
Cameron Adams, Winnetka, IL (US)
(73) Assignee: **KEYMASTER SOLUTIONS, LLC**,
Wilmette, IL (US)

6,814,256 B2 11/2004 Clark
6,843,720 B2 1/2005 Luciano et al.
D545,176 S * 6/2007 Zemp D8/343
D582,254 S * 12/2008 Turpault D8/343
7,584,869 B2 9/2009 DeLazzer et al.
7,926,215 B2* 4/2011 Riker E05B 19/0005
40/654.01
8,191,781 B2 6/2012 Heinz et al.
8,249,743 B2 8/2012 Pelletier
(Continued)

(**) Term: **15 Years**

(21) Appl. No.: **29/554,871**

(22) Filed: **Feb. 16, 2016**

(51) **LOC (10) Cl.** **08-07**

(52) **U.S. Cl.**
USPC **D8/346; D8/343**

(58) **Field of Classification Search**
USPC D8/330, 331, 343, 346, 398, 394, 449;
70/57, 57.1, 51-56, 416, 485, 486, 445,
70/419, 431, 422, 158, DIG. 43, DIG. 56,
70/160, 164, 167
CPC E05B 67/38; E05B 17/002; E05B 67/04
See application file for complete search history.

FOREIGN PATENT DOCUMENTS

EP 0205691 12/1986
WO WO2014124529 8/2014

OTHER PUBLICATIONS

Hand Gun Lockers, Storemorestore, Efficient Productive Storage Products, Ten Compartment Surface Wall Mount Hand Gun Lockers with Combination Locks, 2 Web pages, Jul. 21, 2015.

Primary Examiner — Prabhakar G Deshmukh
(74) *Attorney, Agent, or Firm* — Vedder Price P.C.

(57) **CLAIM**

The ornamental design of a key lockbox, as shown and described.

(56) **References Cited**

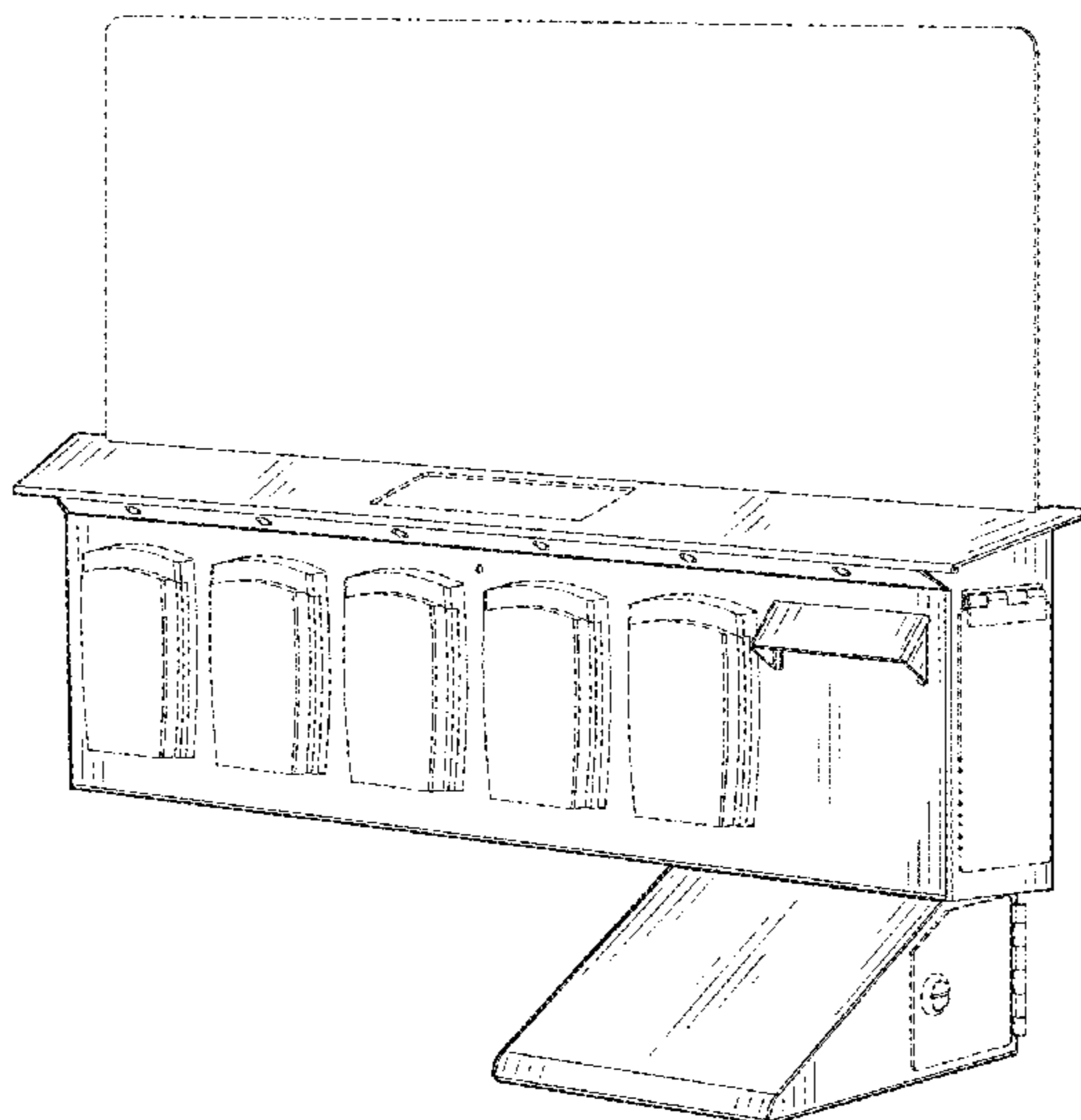
U.S. PATENT DOCUMENTS

4,396,985 A 8/1983 Ohara
4,727,368 A * 2/1988 Larson G07C 1/32
235/382
4,812,985 A 3/1989 Hambrick et al.
4,893,705 A 1/1990 Brown
5,028,766 A 7/1991 Shah
5,280,518 A * 1/1994 Danler G07C 1/32
340/5.23
5,419,163 A * 5/1995 Kim D06F 33/02
68/12.02
5,622,064 A * 4/1997 Gluskoter E05C 19/003
248/551
D436,016 S * 1/2001 Gould D8/346

DESCRIPTION

FIG. 1 is a front perspective view of a key lockbox showing my new design;
FIG. 2 is a rear perspective view thereof;
FIG. 3 is a left side elevational view thereof;
FIG. 4 is a right side elevational view thereof;
FIG. 5 is a front elevational view thereof;
FIG. 6 is a rear elevational view thereof;
FIG. 7 is a top plan view thereof; and,
FIG. 8 is a bottom plan view thereof.
The broken lines illustrate unclaimed portions of the design and environment and form no part of the claimed design.

1 Claim, 5 Drawing Sheets



(56)

References Cited

U.S. PATENT DOCUMENTS

D667,287 S * 9/2012 Yang D8/330
8,437,740 B2 * 5/2013 Despain A47G 29/10
340/5.73
8,610,574 B2 12/2013 Kestenbaum
D711,724 S * 8/2014 Newchurch D8/346
D737,115 S * 8/2015 Weldon D8/346
9,194,157 B2 * 11/2015 Bahar E05B 19/0005
2002/0059043 A1 5/2002 Maloney
2009/0066476 A1 3/2009 Raheman
2010/0191615 A1 7/2010 Thomas

* cited by examiner

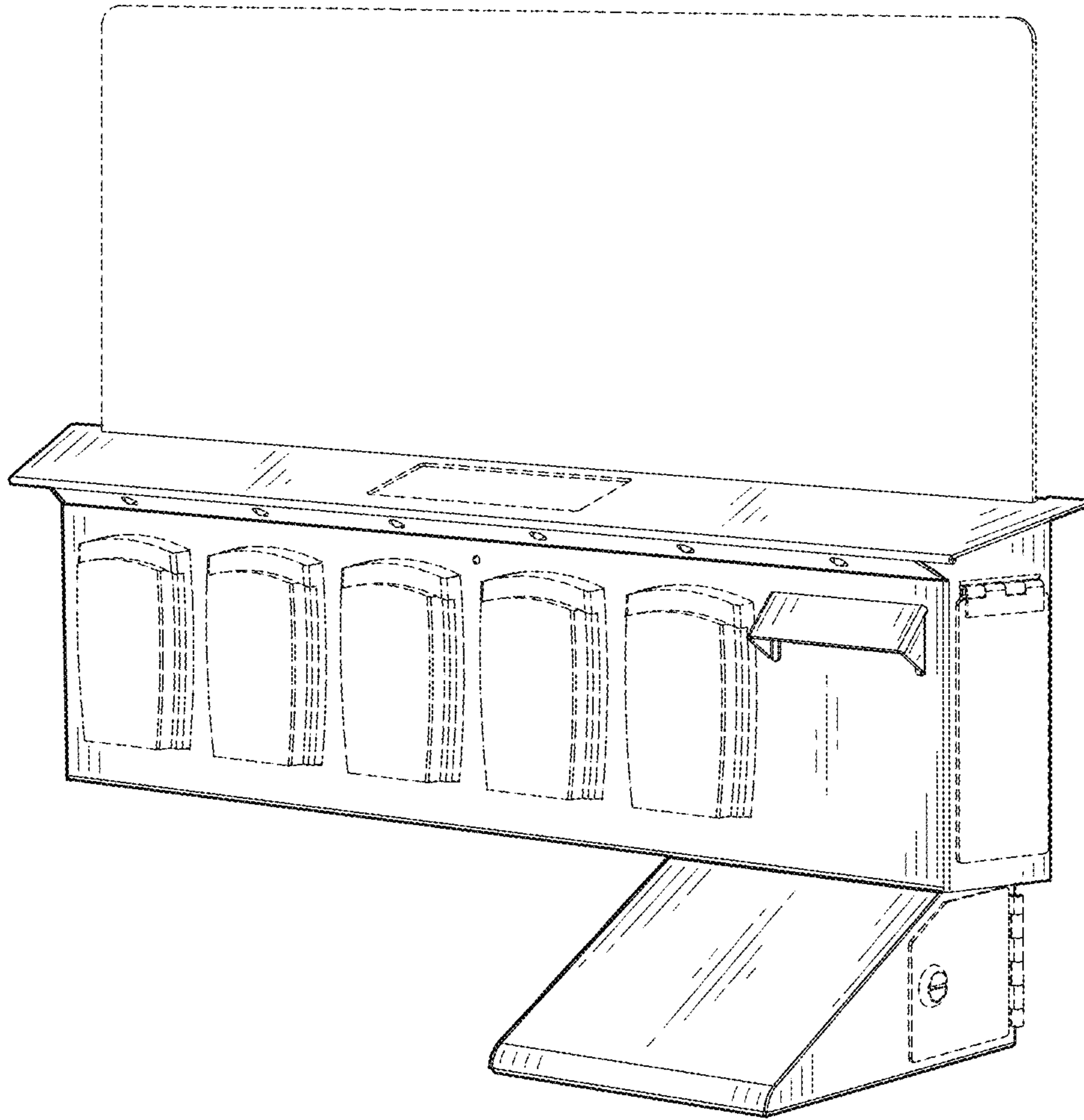


FIG. 1

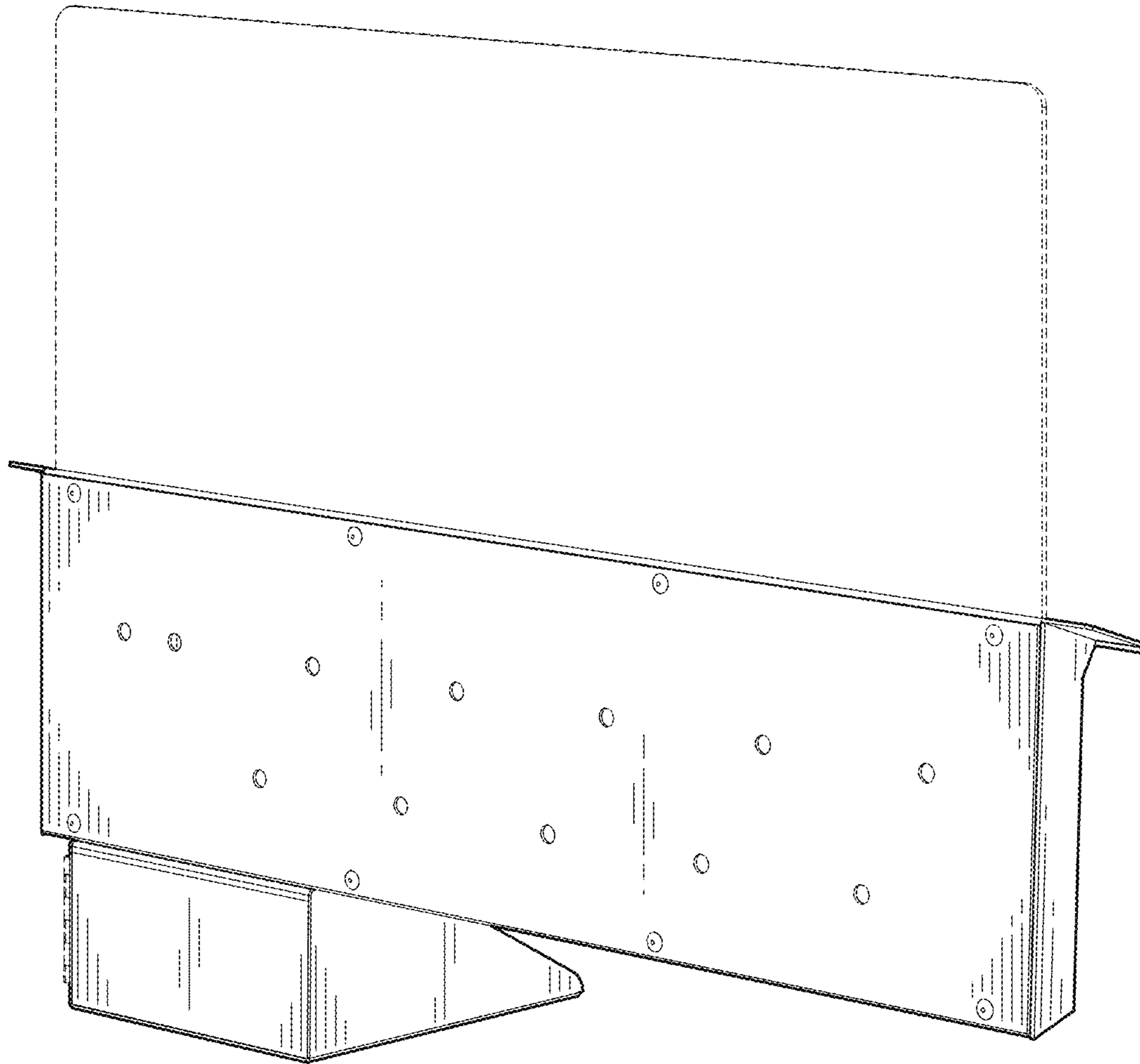


FIG. 2

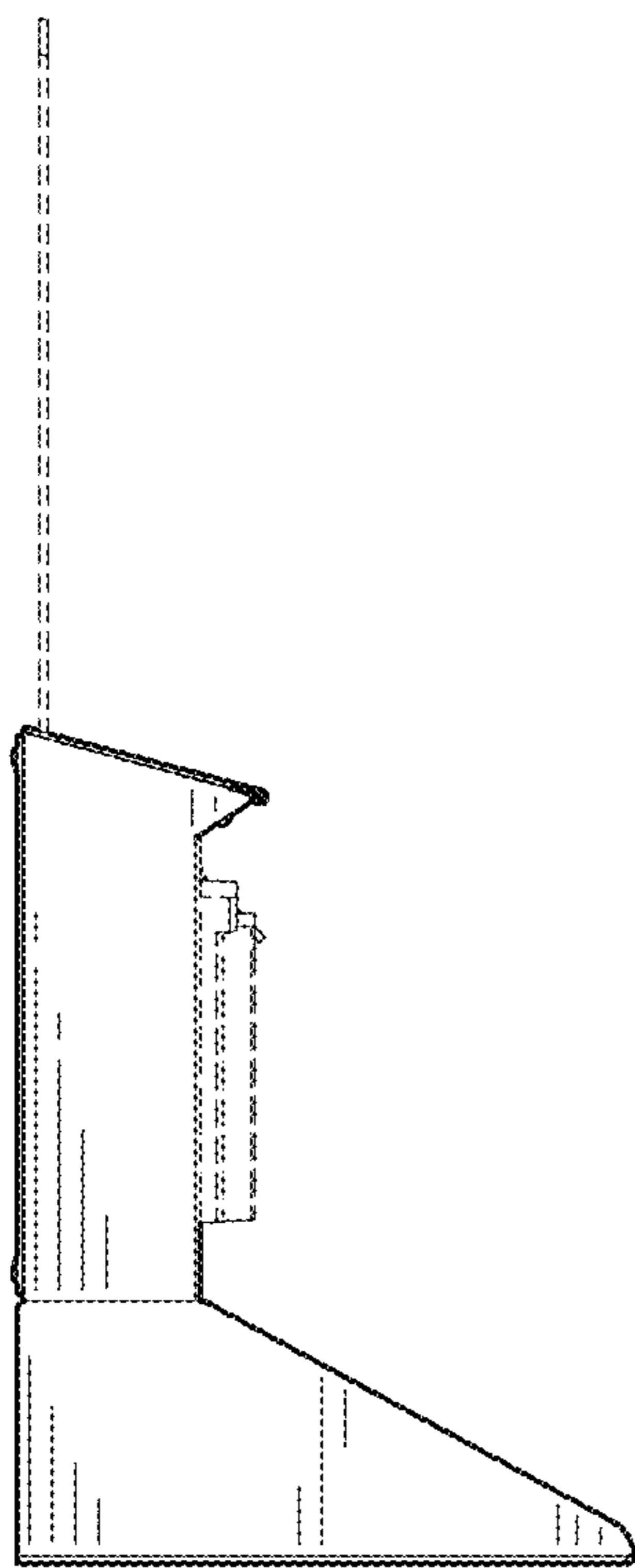


FIG. 3

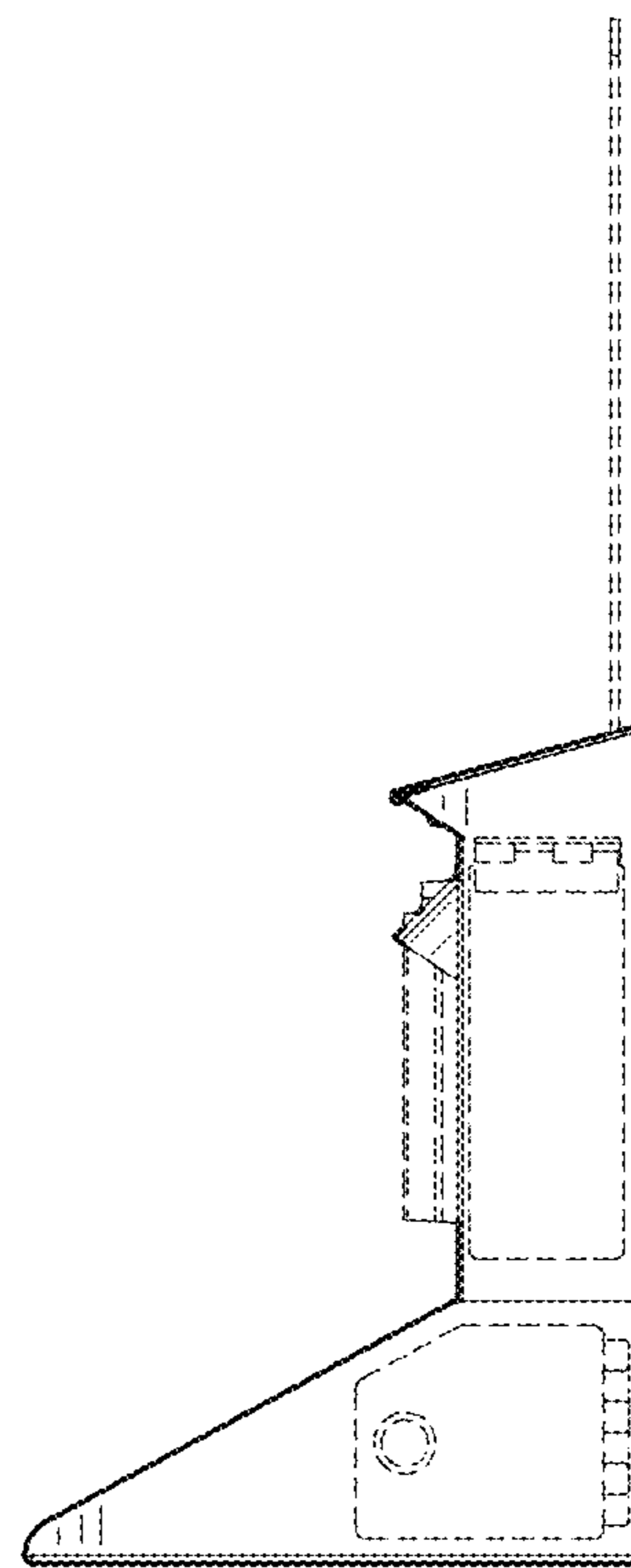


FIG. 4

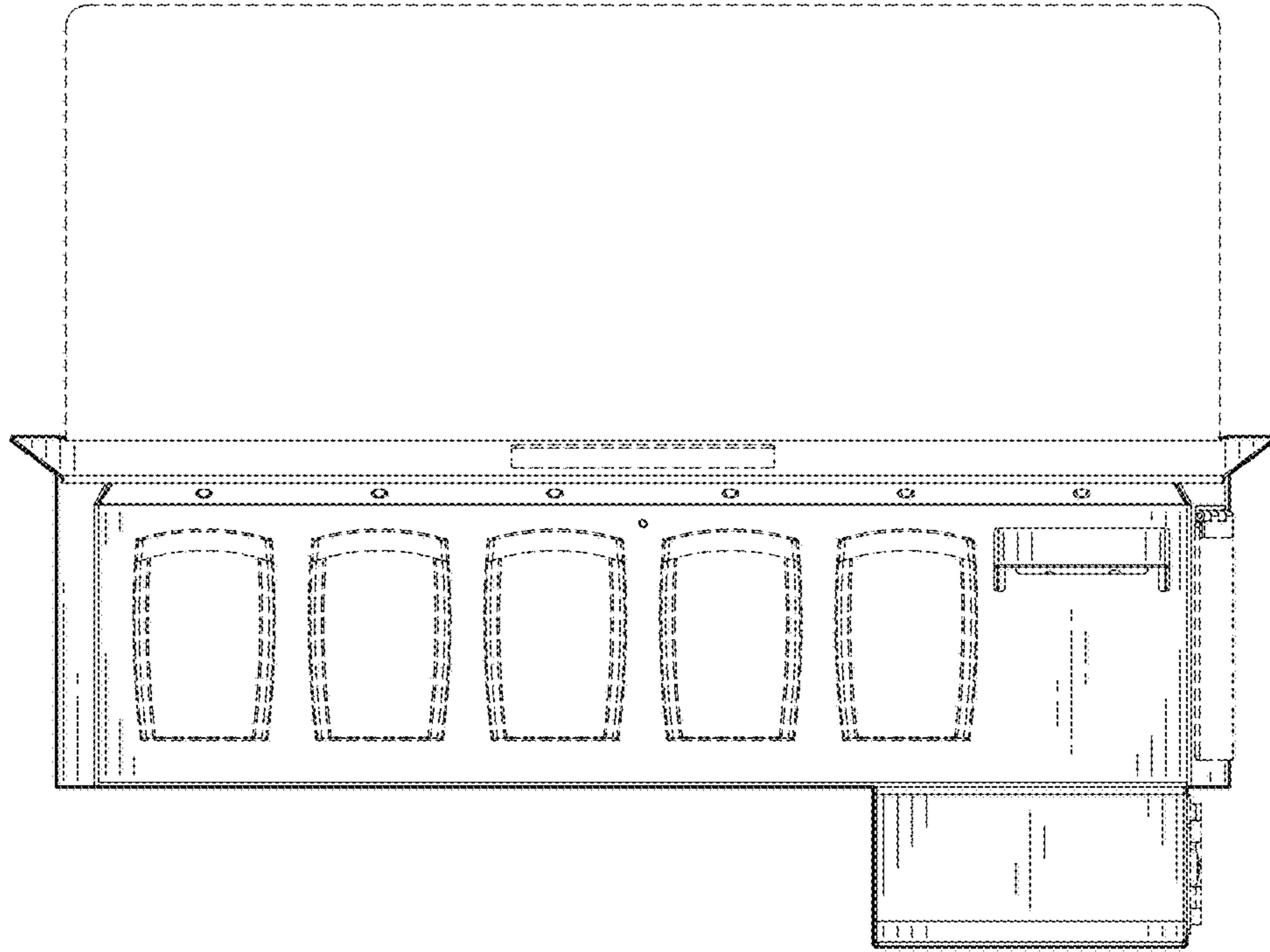


FIG. 5



FIG. 6

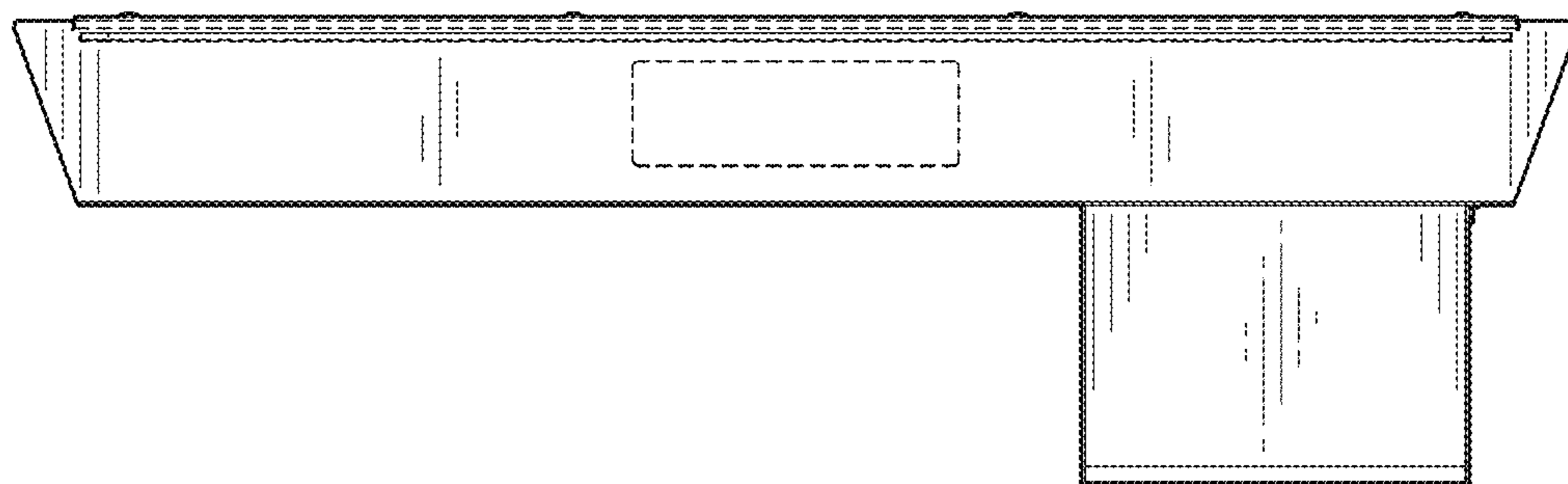


FIG. 7

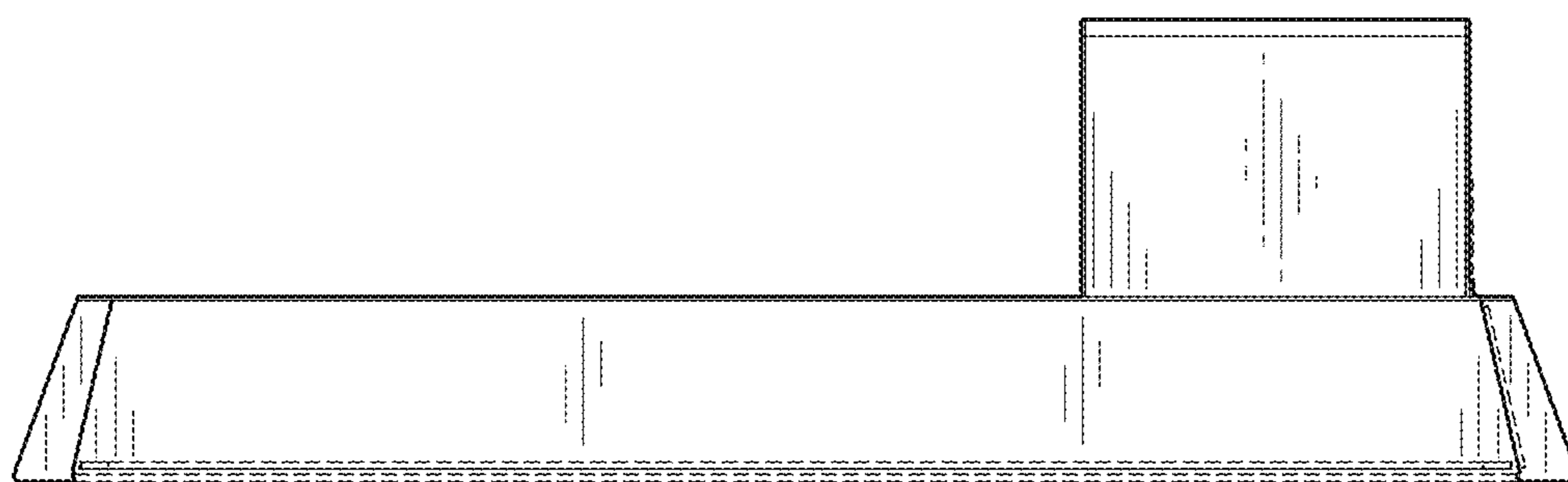


FIG. 8