



US00D794417S

(12) **United States Design Patent** (10) **Patent No.:** **US D794,417 S**
Hogan et al. (45) **Date of Patent:** **** Aug. 15, 2017**

(54) **SECURITY LOCKING DEVICE**

(71) Applicant: **ULockIt Security Devices, LLC**,
Conway, AR (US)

(72) Inventors: **Daniel Walter Hogan**, Conway, AR
(US); **Wesley Lynn Scroggin**, Conway,
AR (US)

(73) Assignee: **ULockIt Security Devices, LLC**,
Conway, AR (US)

(**) Term: **15 Years**

(21) Appl. No.: **29/563,453**

(22) Filed: **May 4, 2016**

Related U.S. Application Data

(63) Continuation-in-part of application No. 14/156,107,
filed on Jan. 15, 2014.

(51) **LOC (10) Cl.** **08-07**

(52) **U.S. Cl.**
USPC **D8/343**; D8/330; D8/339

(58) **Field of Classification Search**
USPC D8/330, 331, 333, 343, 349, 354, 352,
D8/400, 499, 382, 383; 70/51, 57, 57.1,
70/177, 199, 431, 141, 266, 465, 466;
292/2, 32, 288, 289, 292
CPC B64C 27/00; B25B 13/00; H01H 27/00;
H01H 27/06; E05B 21/00; E25B 23/00;
E05C 19/184

See application file for complete search history.

(56) **References Cited**

U.S. PATENT DOCUMENTS

- 2,422,841 A * 6/1947 McClain F16B 41/005
292/307 R
3,767,167 A * 10/1973 Rasmussen E04H 17/18
256/24
4,388,749 A * 6/1983 Sassak F01N 13/18
24/276

(Continued)

Primary Examiner — Prabhakar Deshmukh

(74) *Attorney, Agent, or Firm* — Rashauna Norment

(57) **CLAIM**

The ornamental design for a security locking device, as shown and described.

DESCRIPTION

FIG. 1 is a perspective view of a security locking device showing my new design, shown in a disassembled configuration;

FIG. 2 is a front elevational view thereof;

FIG. 3 is a rear elevational view thereof;

FIG. 4 is a left side elevational view thereof;

FIG. 5 is a right side elevational view thereof;

FIG. 6 is a top plan view thereof;

FIG. 7 is a bottom plan view thereof;

FIG. 8 is a perspective view thereof, shown in an assembled configuration;

FIG. 9 is a perspective view thereof, shown in environmental use;

FIG. 10 is a another alternate perspective view thereof, shown in environmental use;

FIG. 11 is a front elevational view of FIG. 10;

FIG. 12 is a rear elevational view of FIG. 10;

FIG. 13 is a left side elevational view of FIG. 10;

FIG. 14 is a right side elevational view of FIG. 10;

FIG. 15 is a top plan view of FIG. 10;

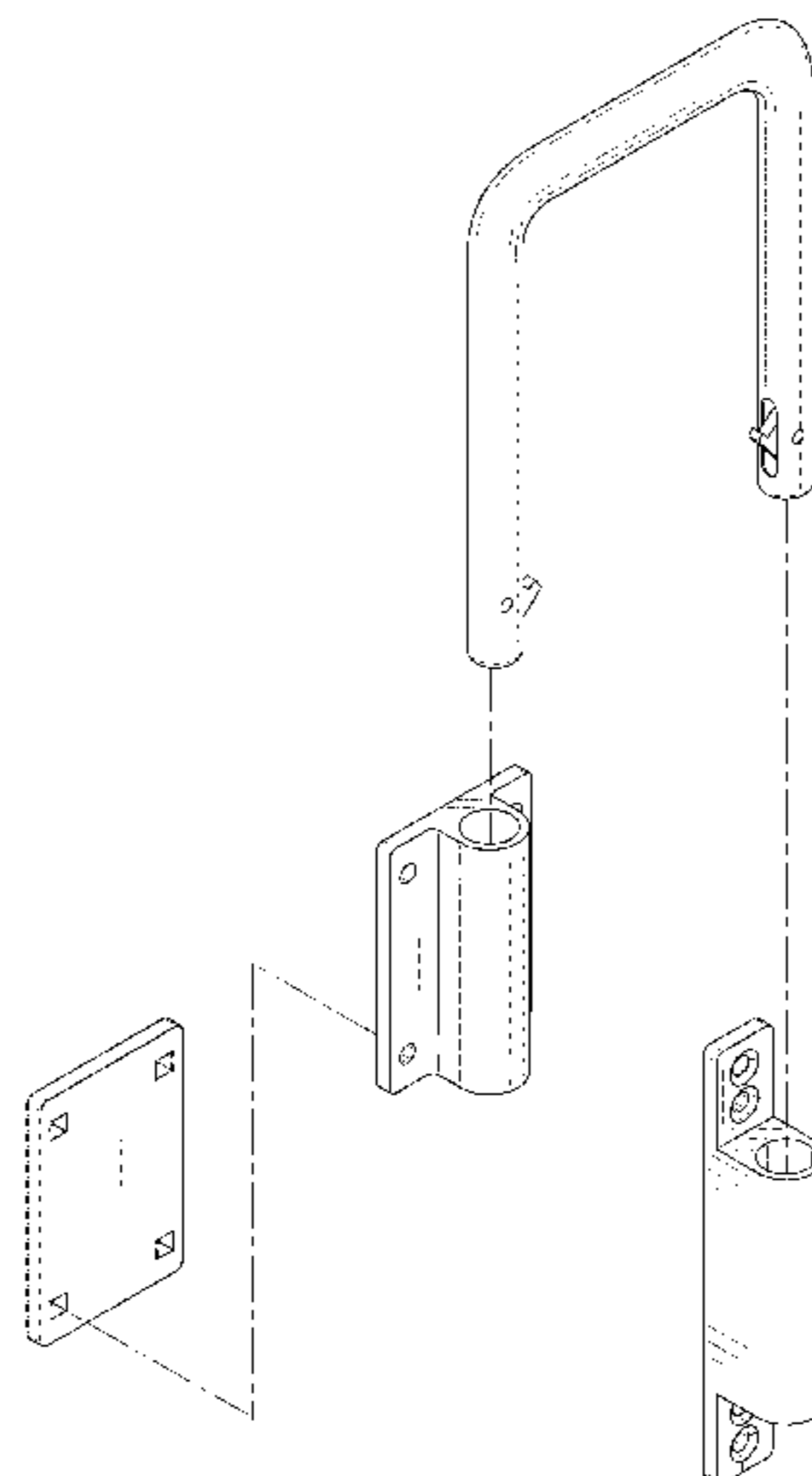
FIG. 16 is a bottom plan view of FIG. 10;

FIG. 17 is a perspective view thereof, similar to FIG. 8; and,

FIG. 18 is a front elevational view of FIG. 17.

The broken lines in FIGS. 9-16 illustrate environment of door and door frame. The broken lines in FIGS. 17-18 illustrate unclaimed locking clips and bracket holes. Other broken lines illustrate projected reference lines. None of the broken lines form part of the claimed design.

1 Claim, 16 Drawing Sheets



(56)

References Cited

U.S. PATENT DOCUMENTS

D295,720 S * 5/1988 DeLuca D8/331
5,205,022 A * 4/1993 Norton F16L 3/04
24/276
5,274,881 A * 1/1994 DeRosa E05C 1/04
16/230
D347,163 S * 5/1994 Issard D8/387
5,664,815 A * 9/1997 Kornder E05C 19/184
292/156
8,272,625 B1 * 9/2012 Bassett E05C 19/184
16/230
D728,346 S * 5/2015 James, III D8/339
D747,555 S * 1/2016 Warmouth D29/106
D777,555 S * 1/2017 Owens D8/330

* cited by examiner

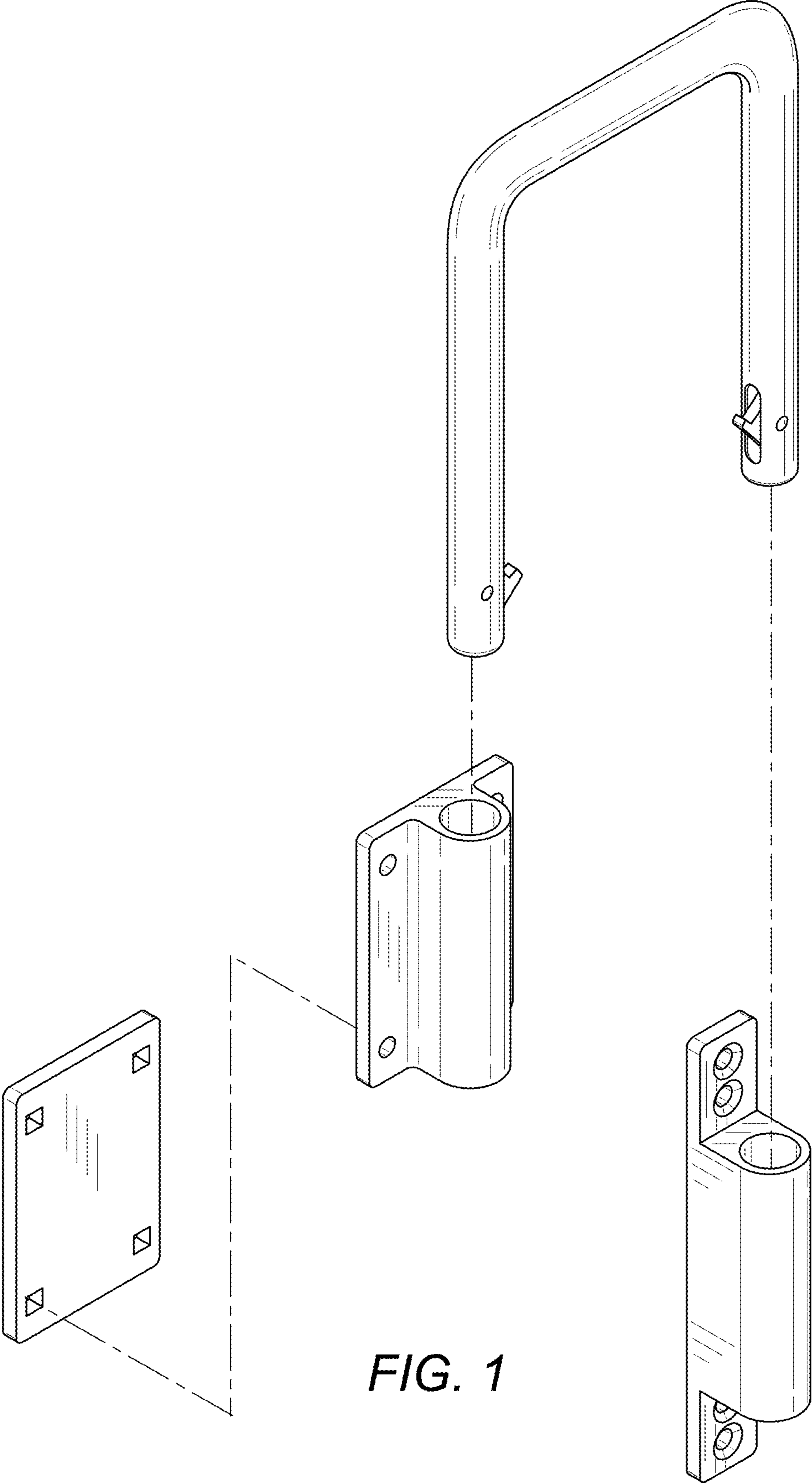


FIG. 1

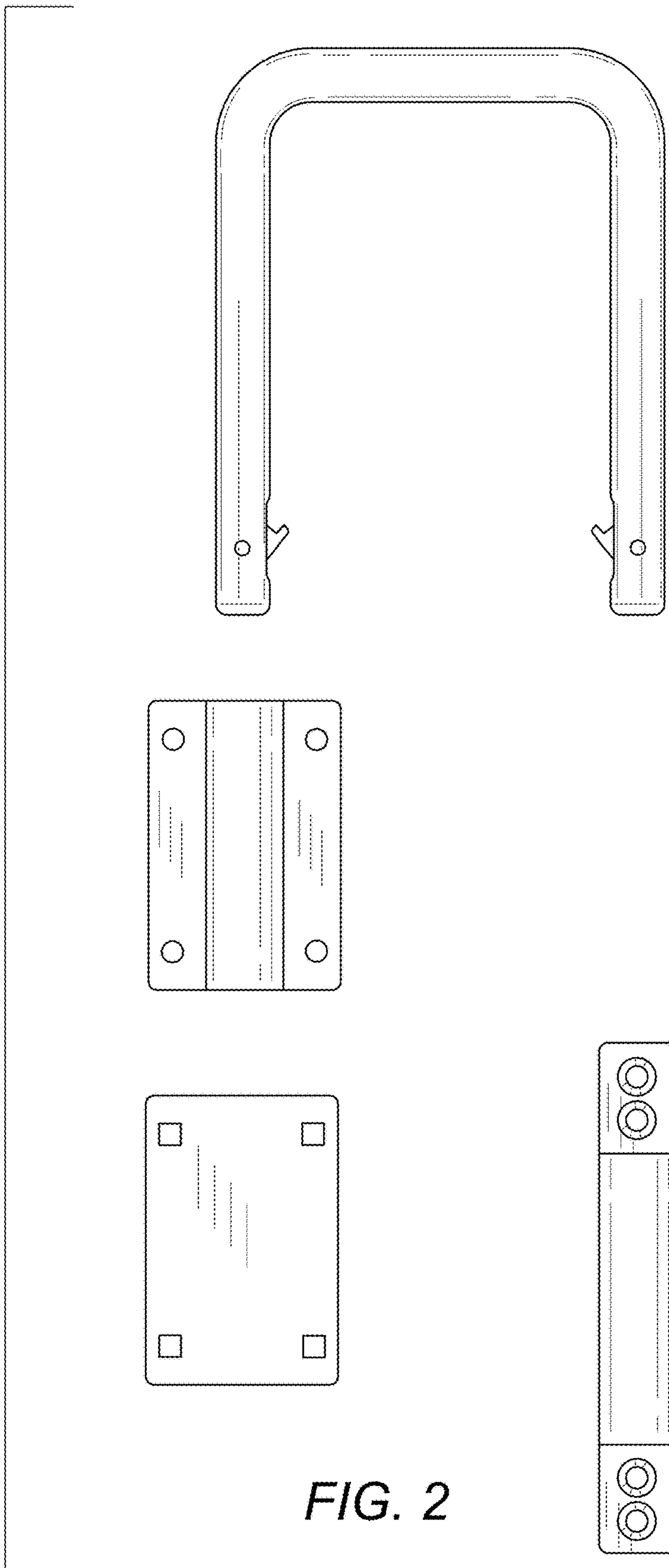


FIG. 2

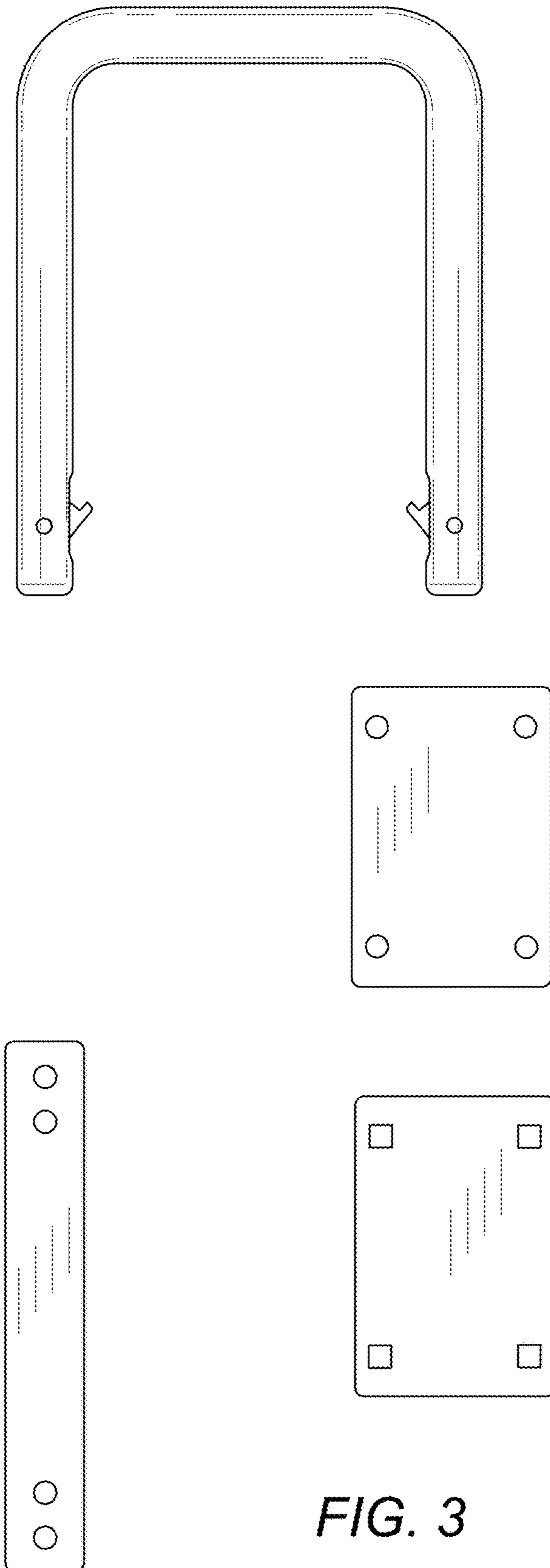


FIG. 3

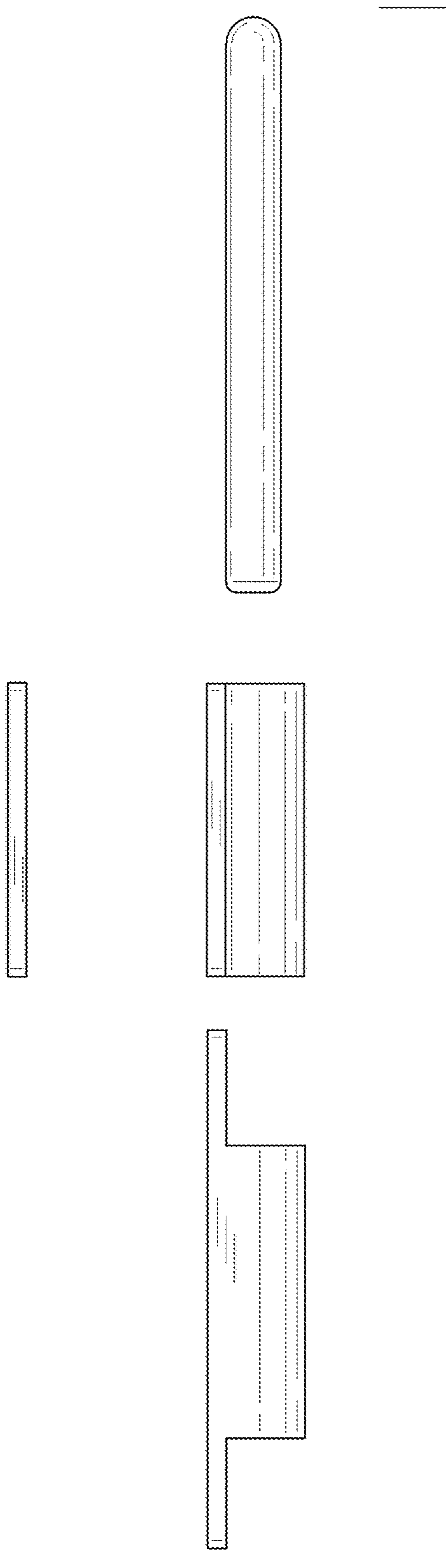


FIG. 4

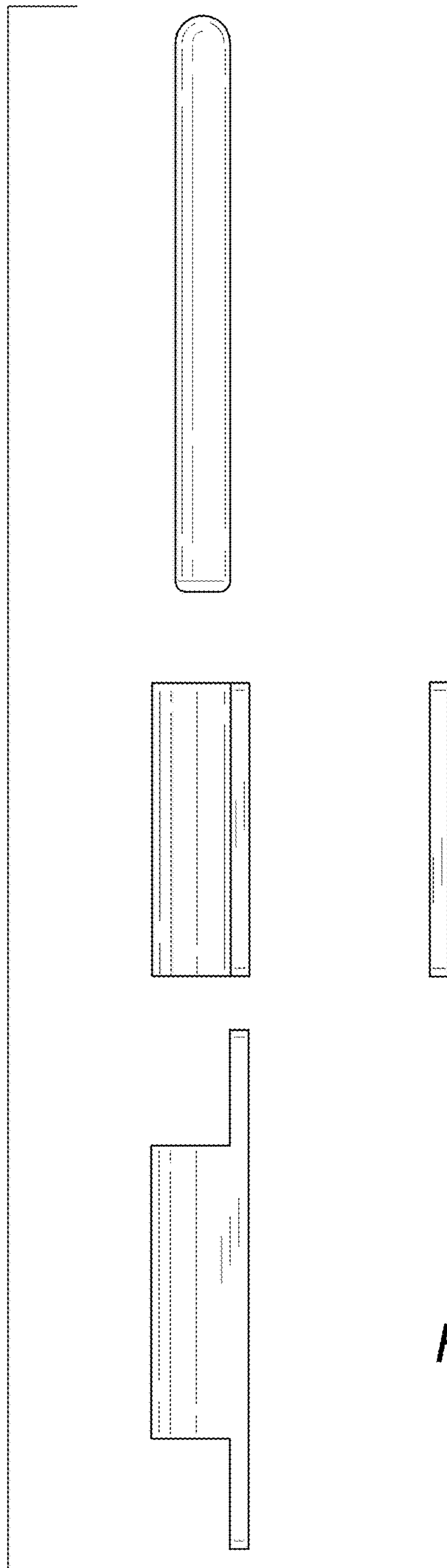


FIG. 5

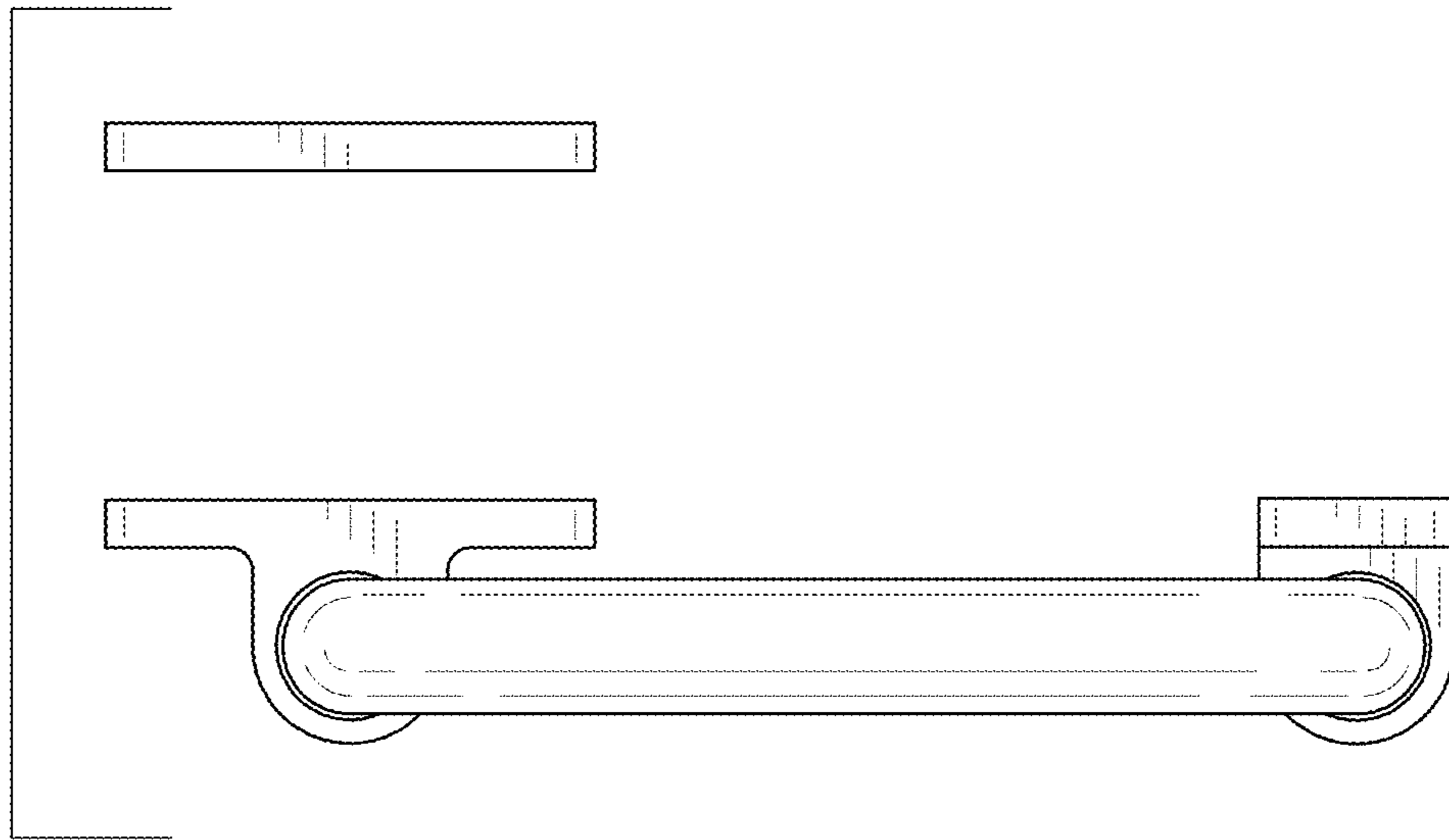


FIG. 6

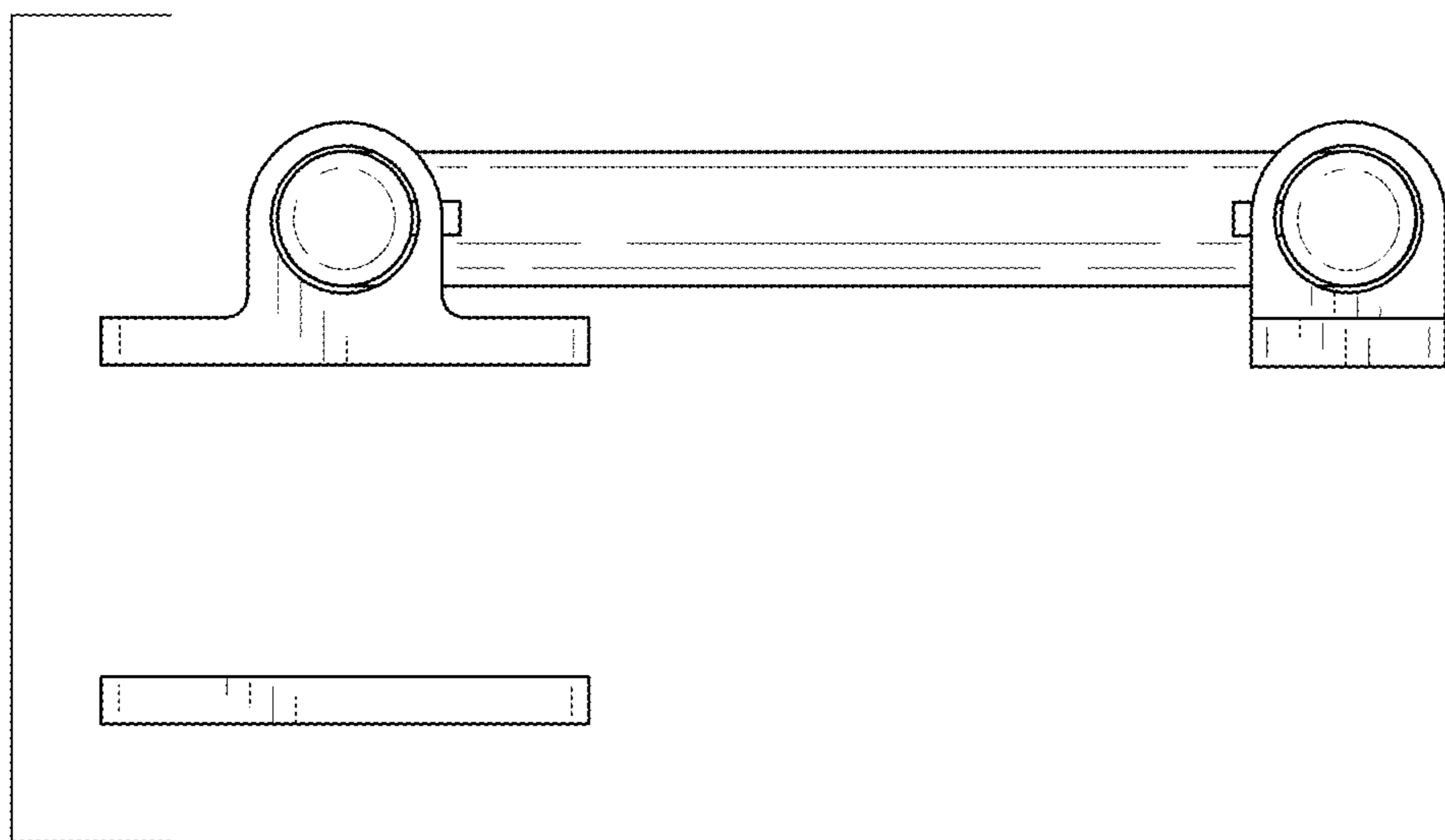


FIG. 7

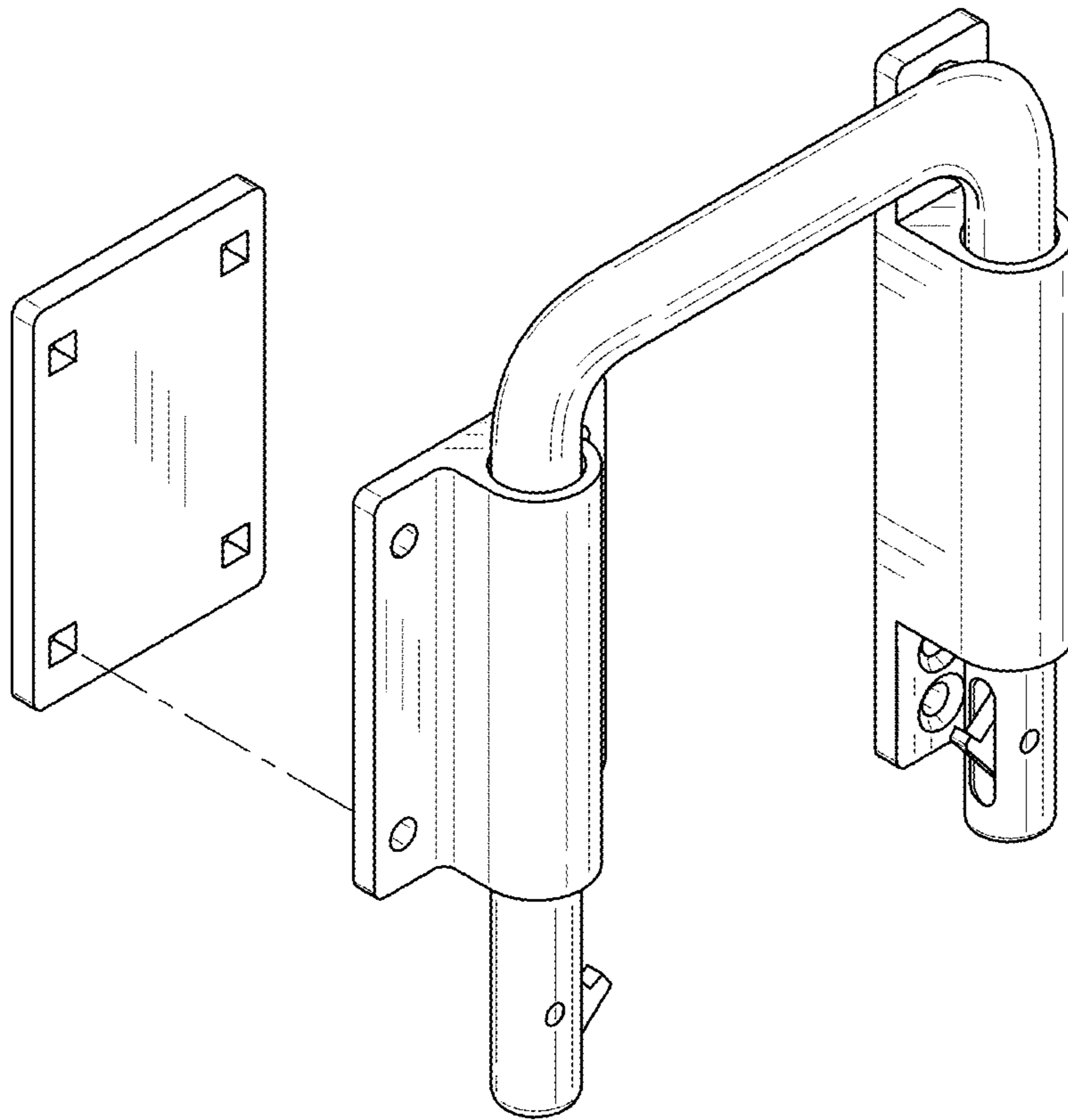


FIG. 8

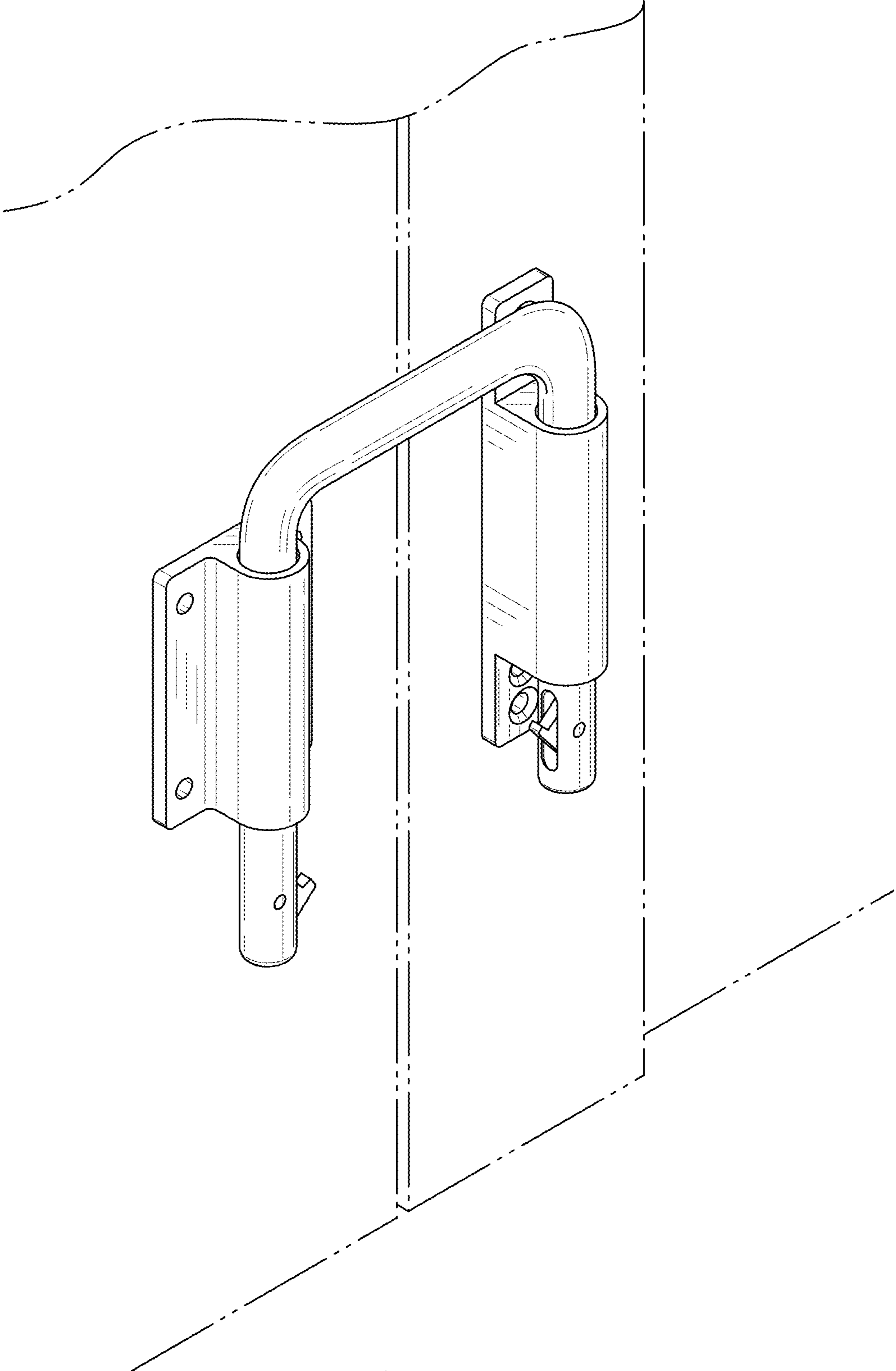


FIG. 9

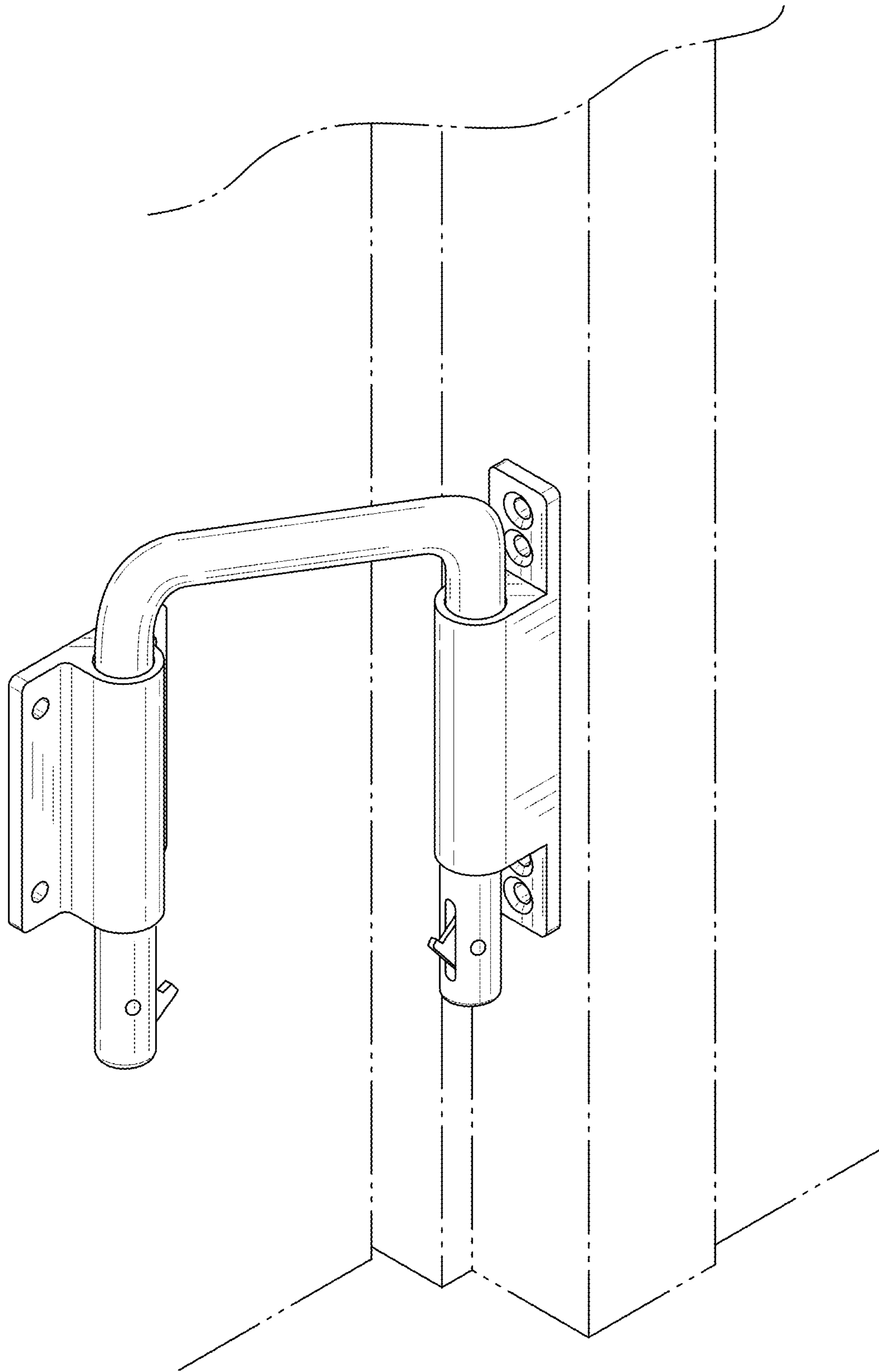


FIG. 10

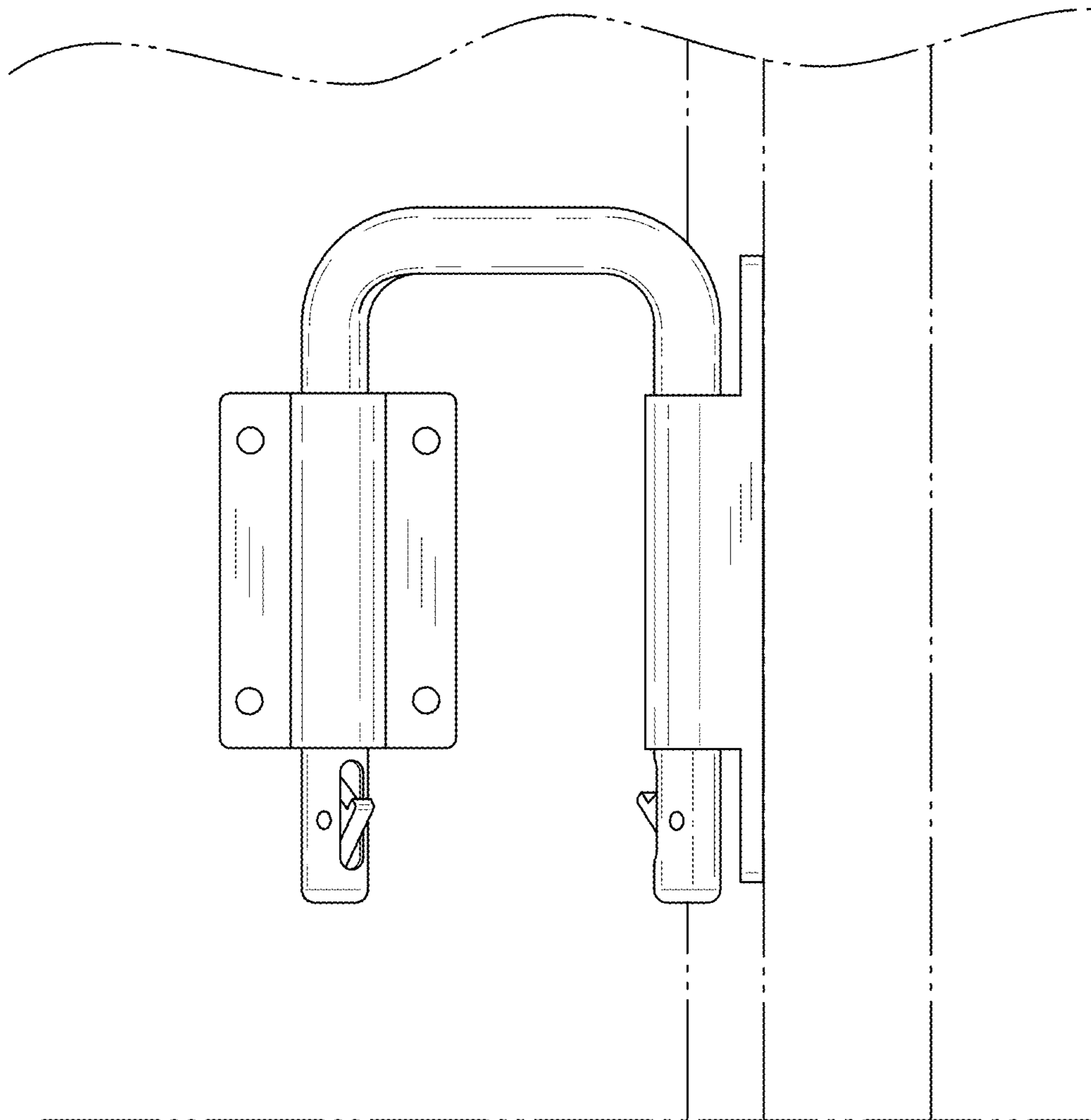


FIG. 11

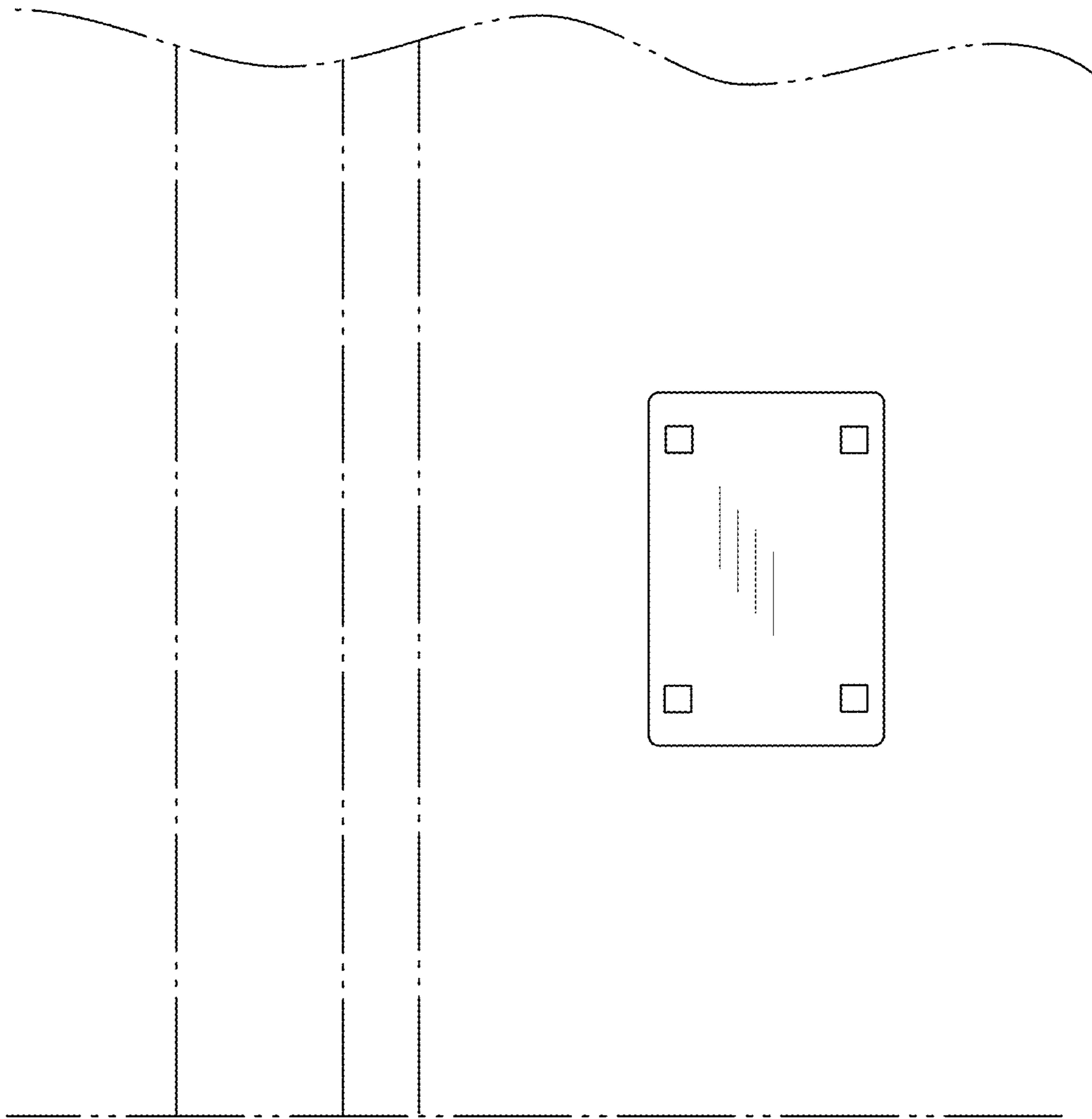


FIG. 12

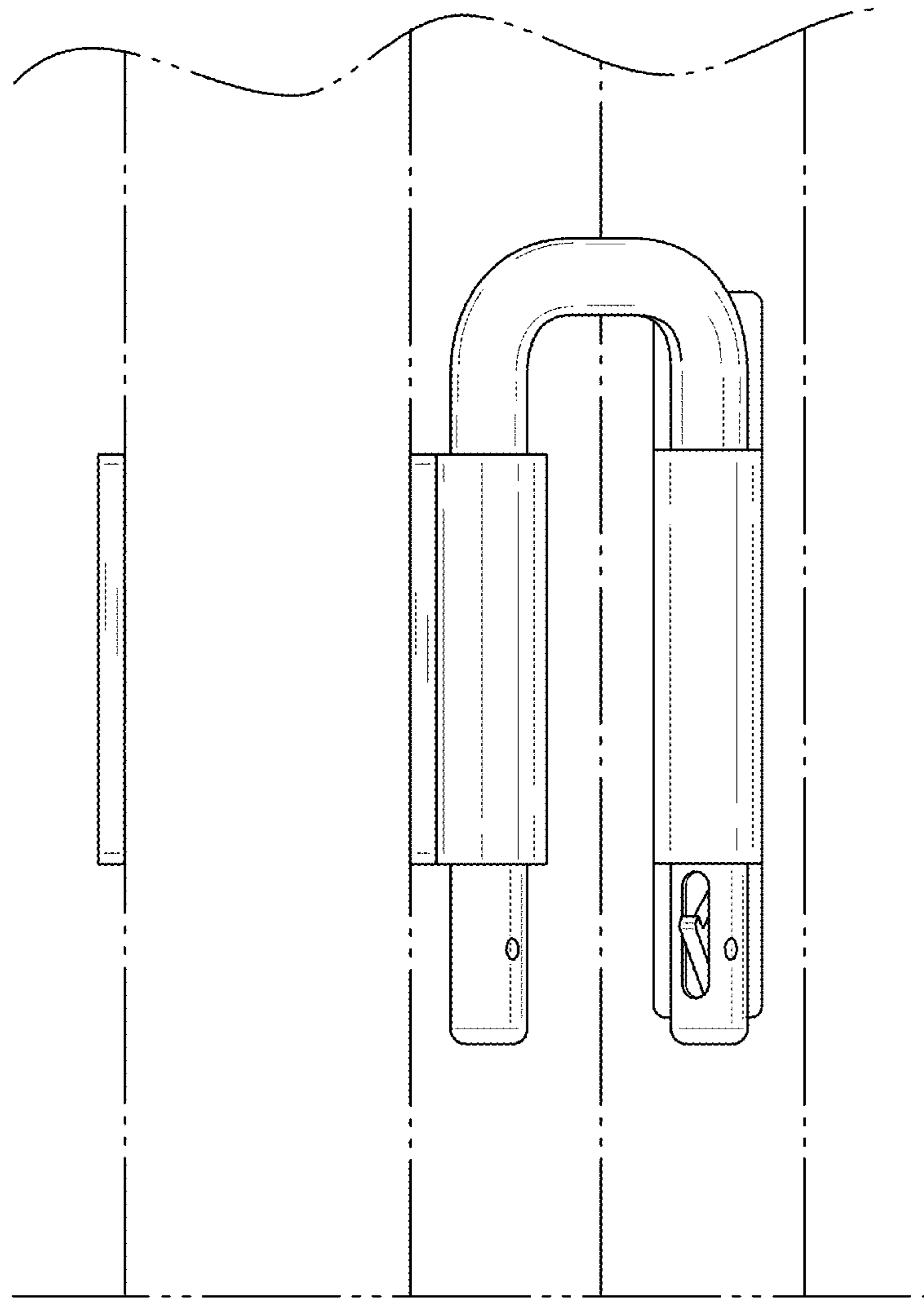


FIG. 13

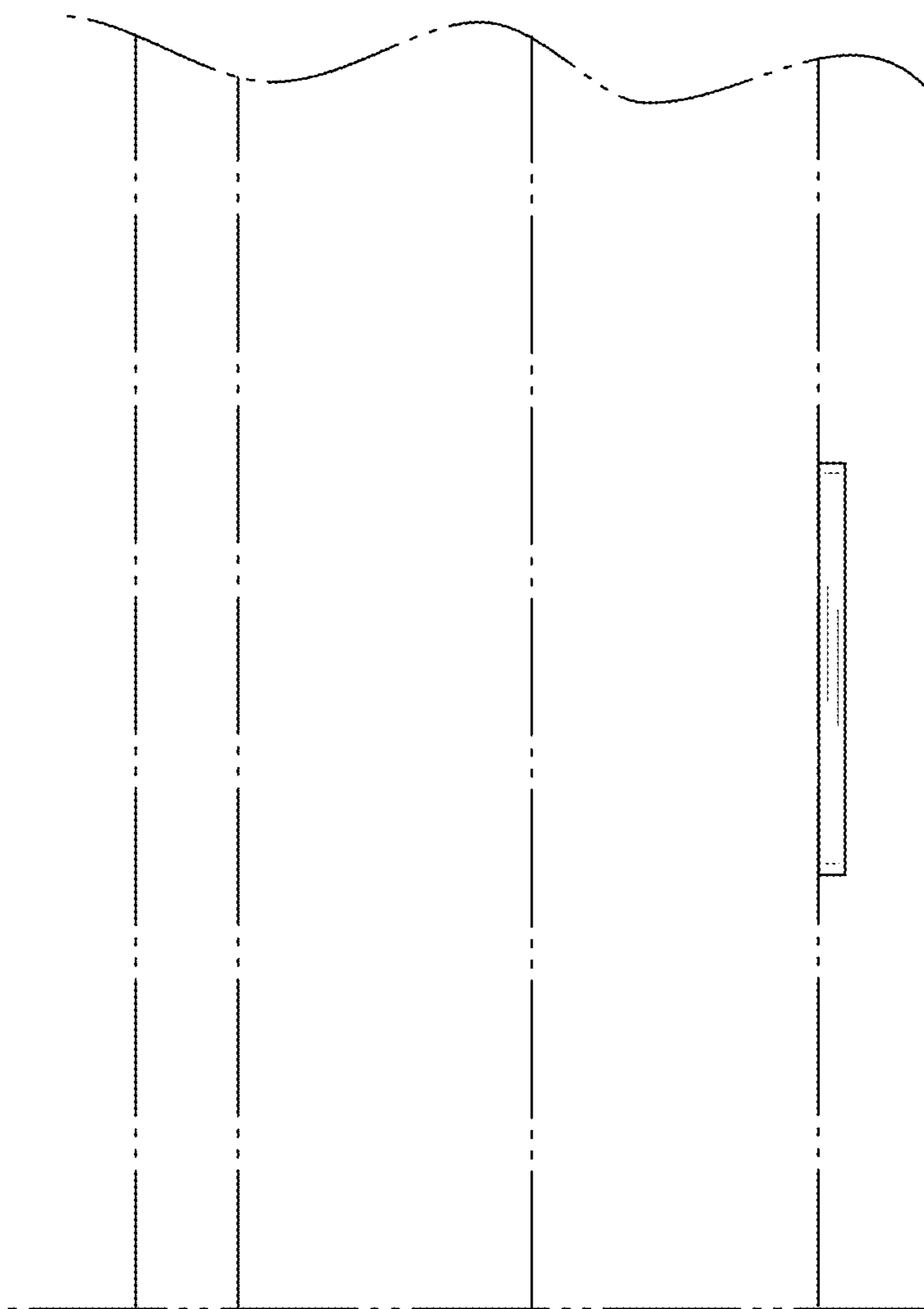


FIG. 14

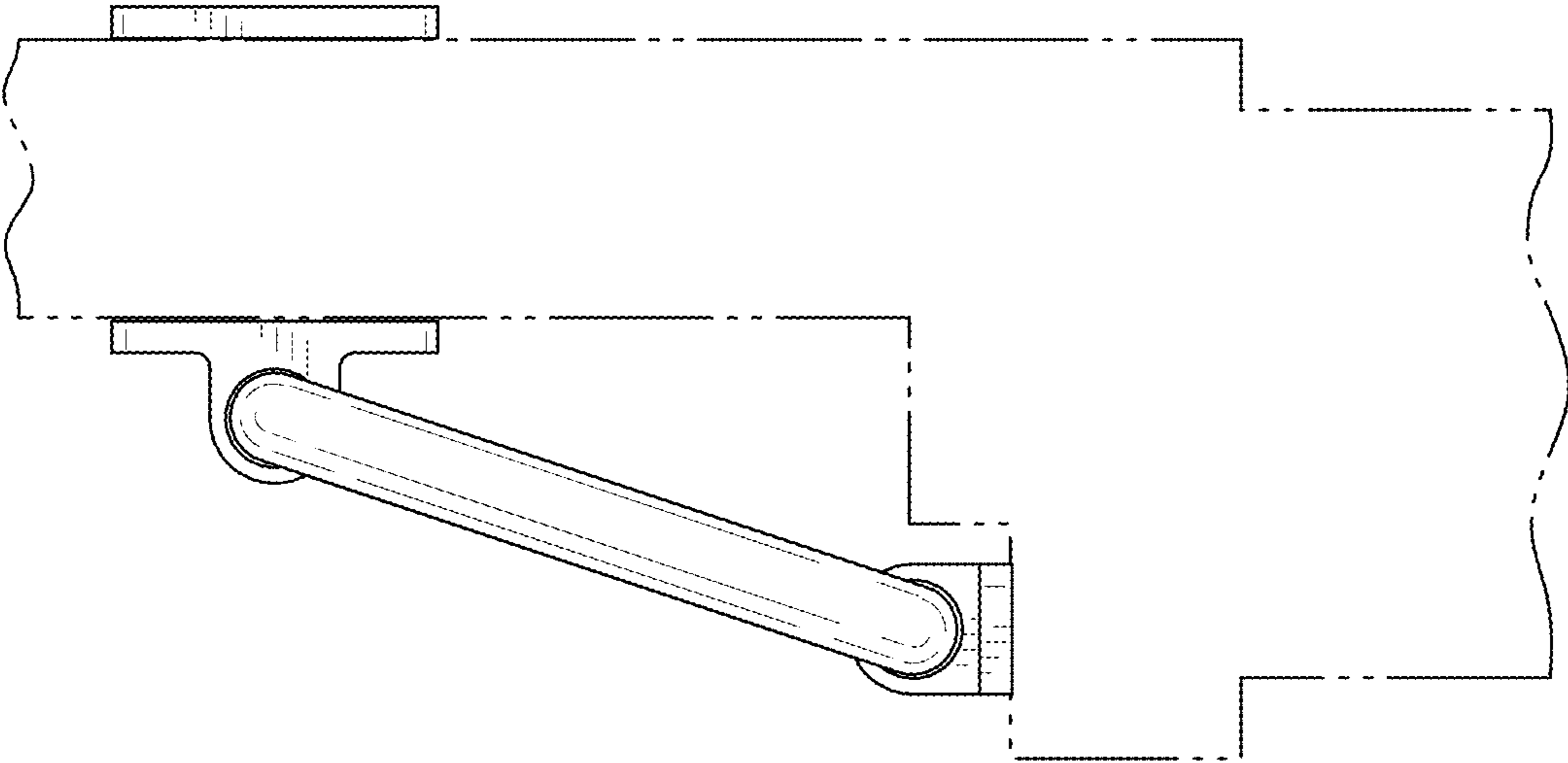


FIG. 15

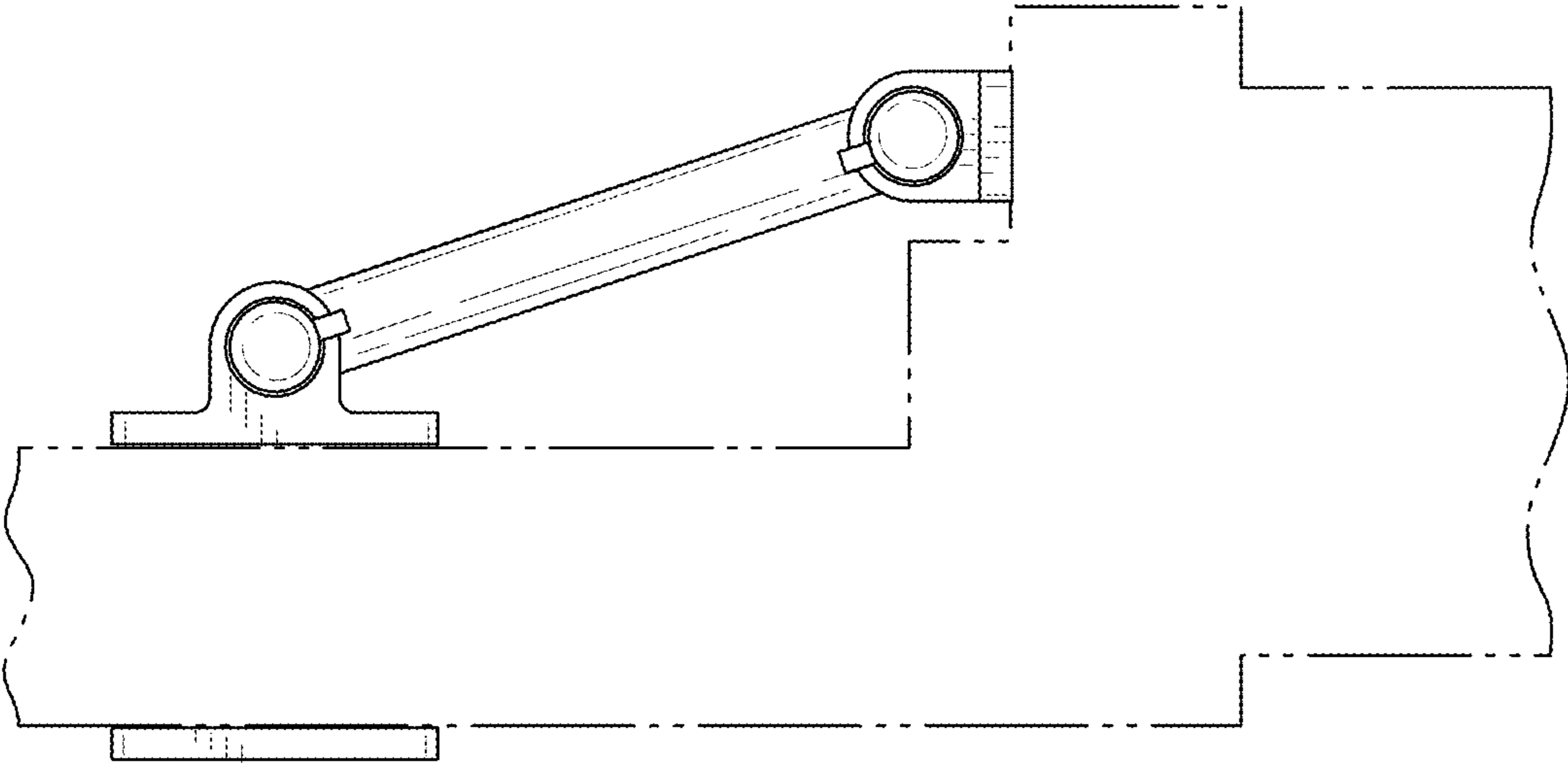


FIG. 16

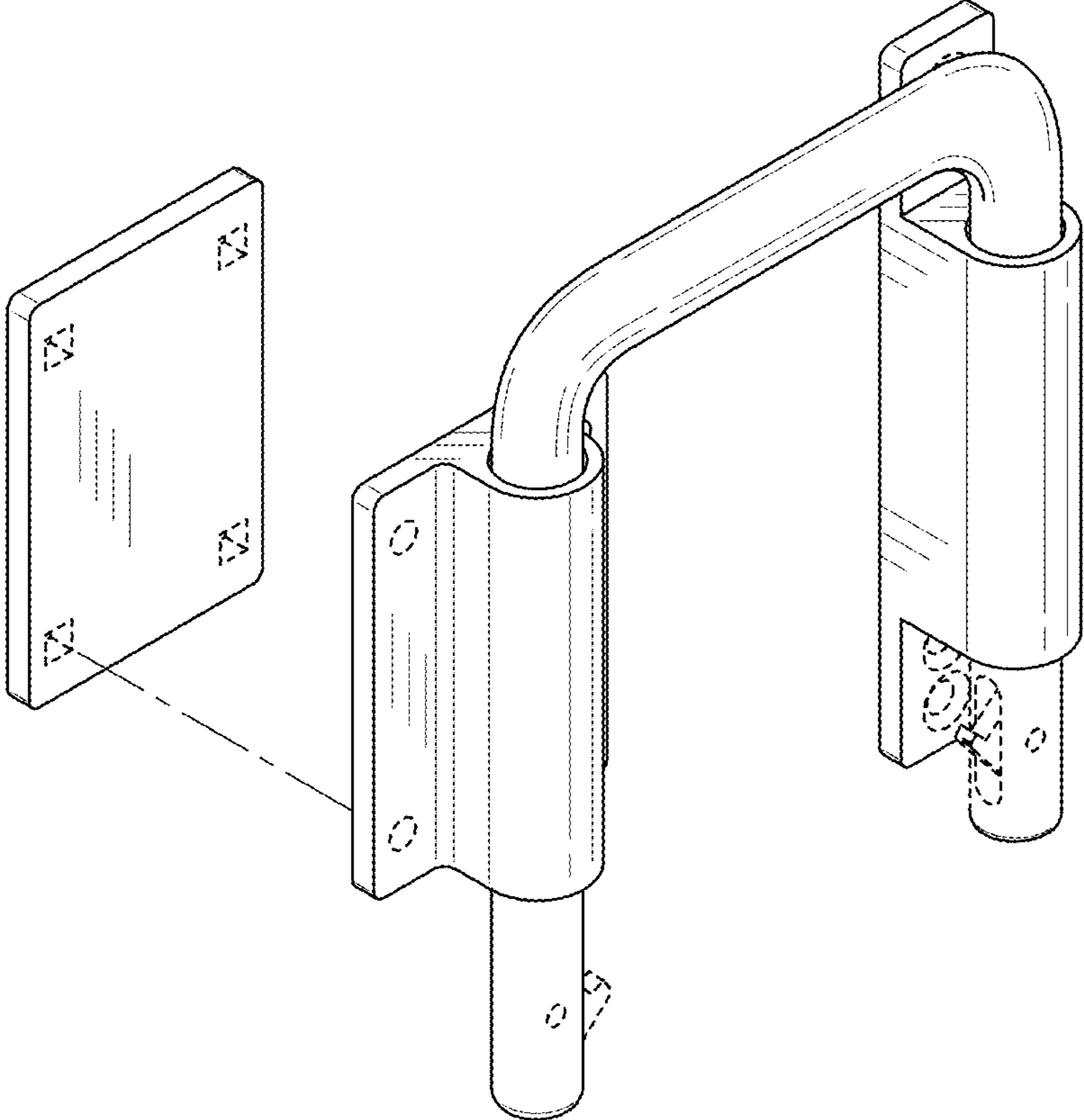


FIG. 17

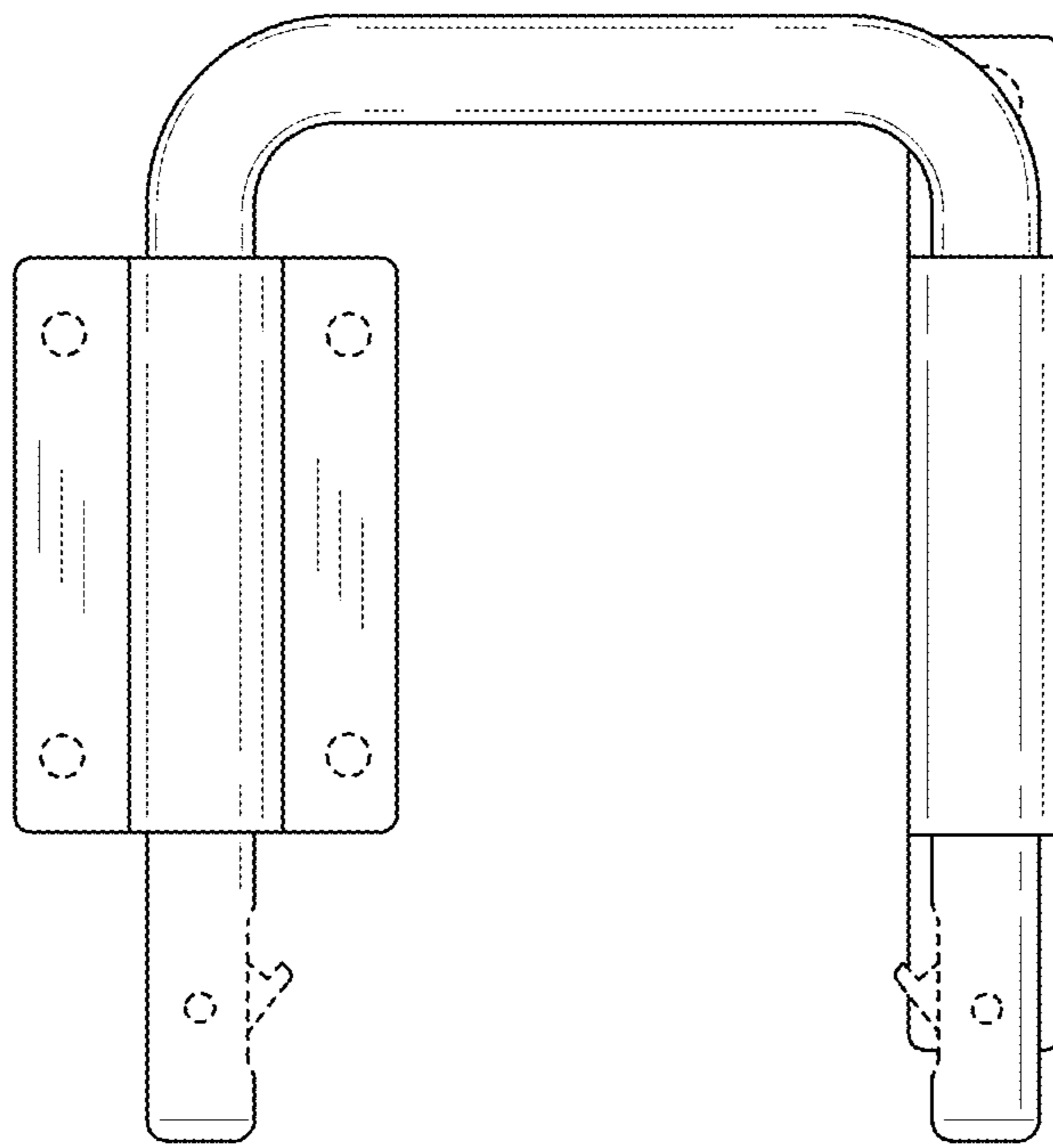


FIG. 18