



US00D794416S

(12) **United States Design Patent**
Sims et al.

(10) **Patent No.:** **US D794,416 S**

(45) **Date of Patent:** **** Aug. 15, 2017**

- (54) **ELECTRIC STRIKE**
- (71) Applicant: **Hanchett Entry Systems, Inc.**,
Phoenix, AZ (US)
- (72) Inventors: **Ryan Matthew Sims**, Mesa, AZ (US);
Michael Allen Webb, Cave Creek, AZ (US)
- (73) Assignee: **Hanchett Entry Systems, Inc.**,
Phoenix, AZ (US)
- (**) Term: **14 Years**
- (21) Appl. No.: **29/523,852**
- (22) Filed: **Apr. 14, 2015**
- (51) **LOC (10) Cl.** **08-07**
- (52) **U.S. Cl.**
USPC **D8/343; D8/330**
- (58) **Field of Classification Search**
USPC D8/330–343, 354, 400; 70/1.5, 2, 14,
70/51–54, 57, 57.1, 141, 142, 143, 431,
70/442, 443, 465, 466; 292/1, 21, 92,
292/288, 289, 300, 266, 262,
292/341.11–341.19, 340
CPC E05B 15/00; E05B 15/02; E05B 15/0205;
E05B 15/021
See application file for complete search history.

- 6,082,791 A * 7/2000 Frolov E05B 47/0047
292/201
- D564,859 S * 3/2008 Brojanac D13/178
- 7,540,542 B2 * 6/2009 Geringer E05B 47/0047
292/341.16
- 7,669,902 B2 * 3/2010 Orbeta E05B 17/0062
292/340
- D662,396 S * 6/2012 Misner D8/334
- 8,246,966 B2 * 8/2012 Mensa-Wilmot A61K 35/68
424/269.1
- D672,631 S * 12/2012 Novak D8/330
- 8,643,463 B2 * 2/2014 Samah B29D 7/01
338/13
- 8,807,606 B2 * 8/2014 Ross E05B 47/0047
292/220
- 8,851,532 B2 * 10/2014 Geringer E05B 47/0047
292/200

* cited by examiner

Primary Examiner — Prabhakar G Deshmukh
(74) *Attorney, Agent, or Firm* — Woods Oviatt Gilman
LLP; Ronald J. Kisicki, Esq.

(57) **CLAIM**

The ornamental design for the electric strike, as shown and described.

DESCRIPTION

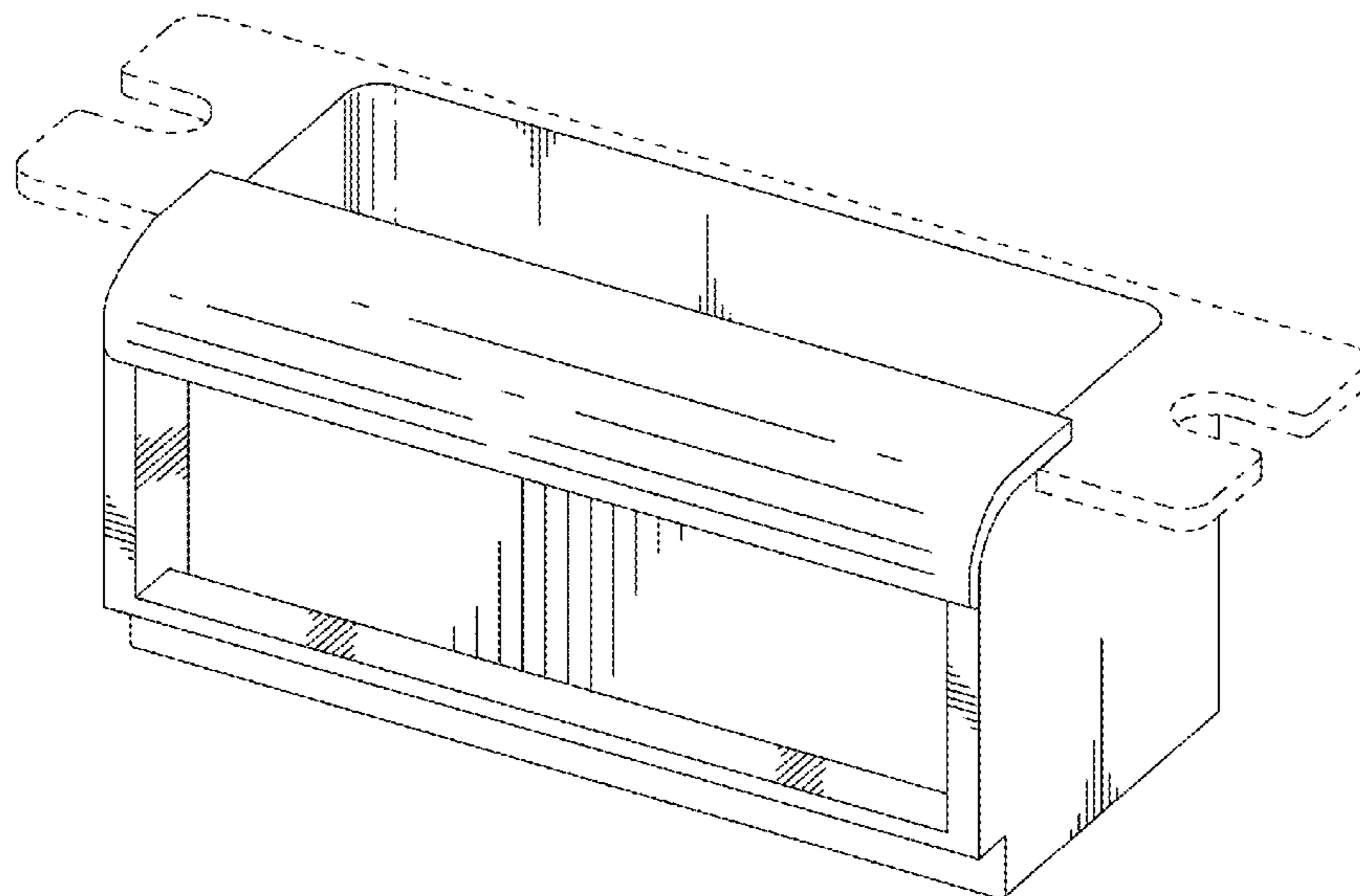
FIG. 1 is a front right perspective view of an electric strike showing our new design;
FIG. 2 is a top view thereof;
FIG. 3 is a front view thereof;
FIG. 4 is a bottom view thereof;
FIG. 5 is a back view thereof;
FIG. 6 is a left side view thereof; and,
FIG. 7 is a right side view thereof.
The broken lines illustrate unclaimed portions and form no part of the claimed design.

1 Claim, 3 Drawing Sheets

(56) **References Cited**

U.S. PATENT DOCUMENTS

- 3,122,388 A * 2/1964 Powers E05B 47/0047
292/201
- D257,663 S * 12/1980 McKee D8/354
- 5,735,559 A * 4/1998 Frolov E05B 47/0047
292/210



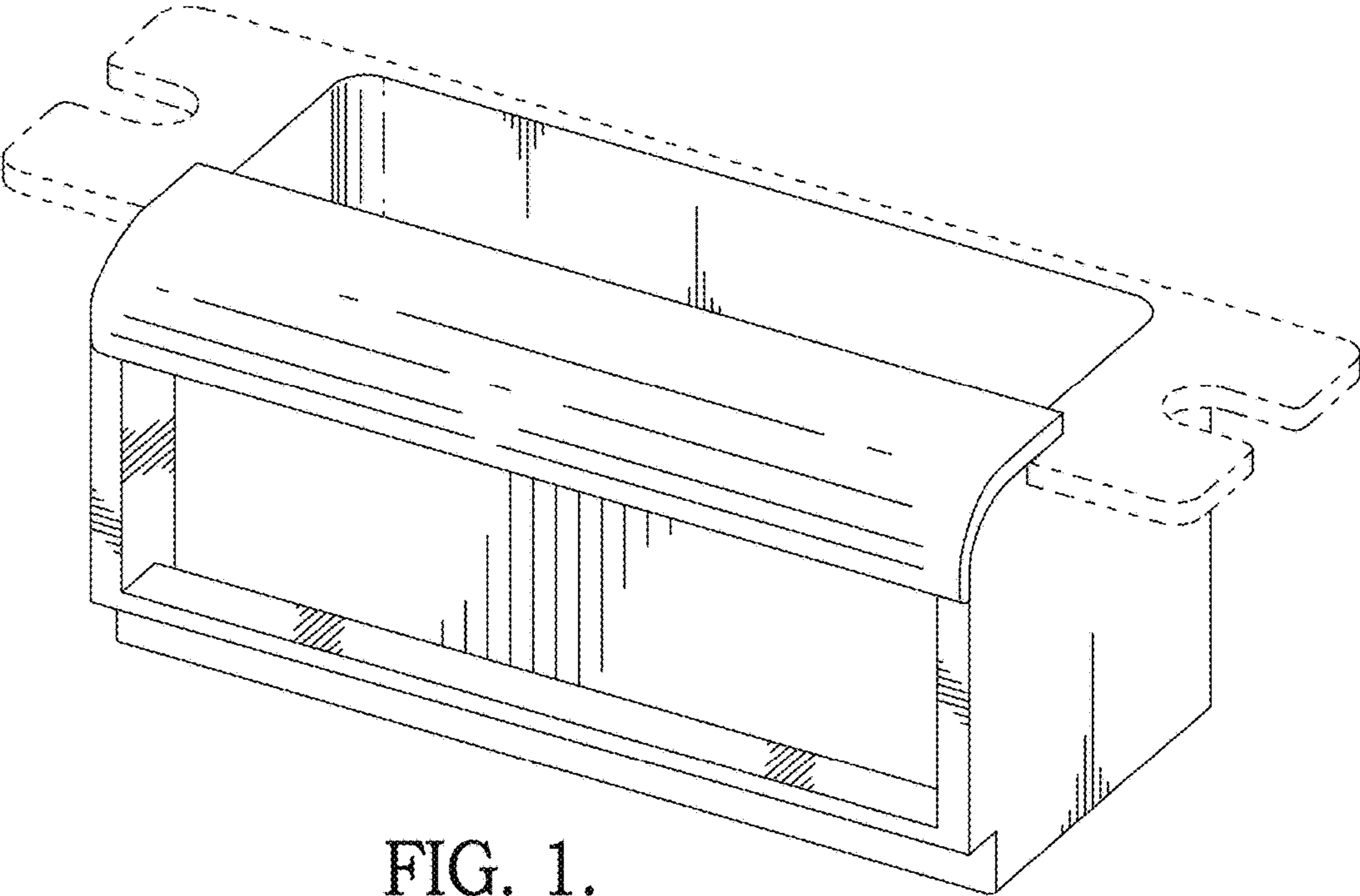


FIG. 1.

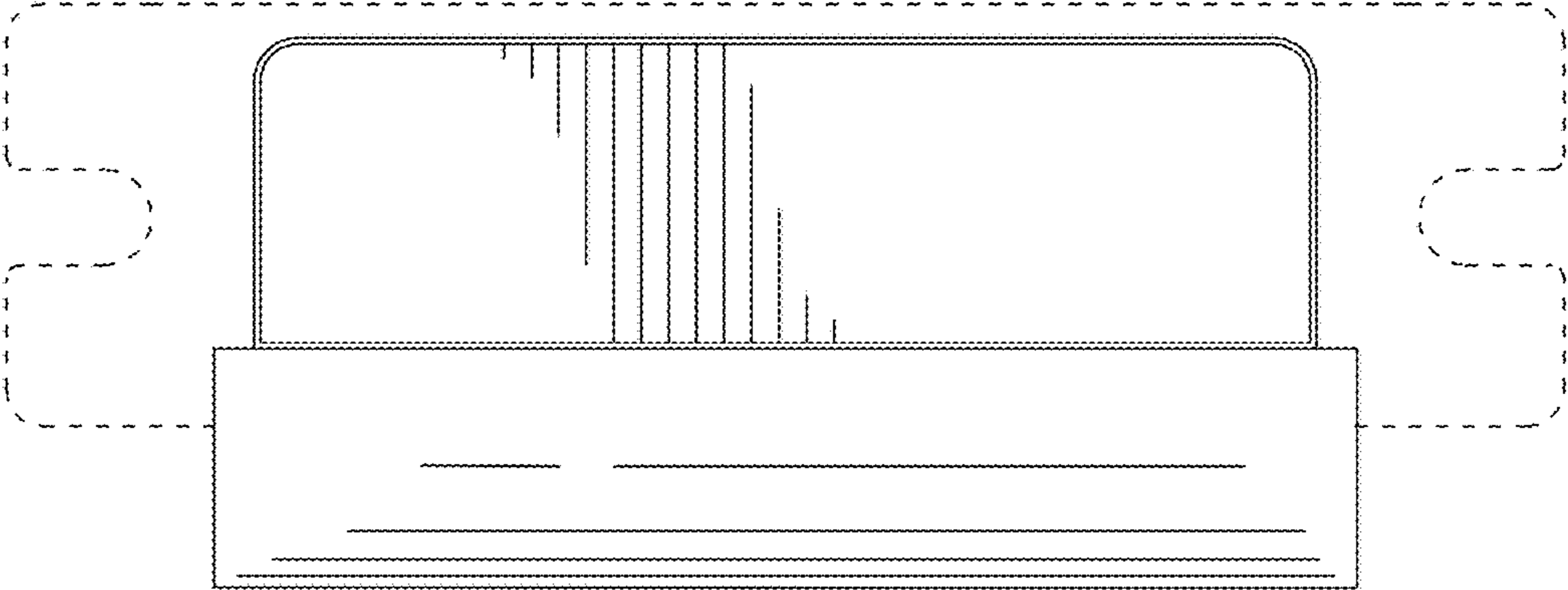


FIG. 2.

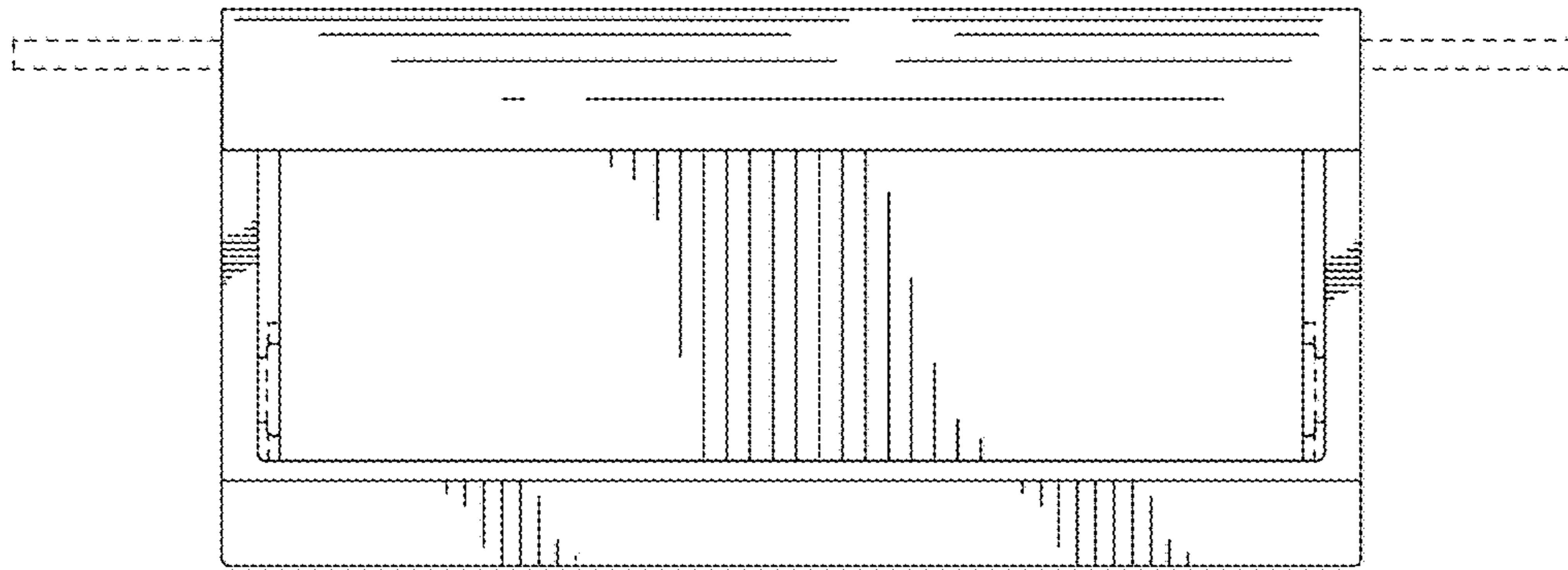


FIG. 3.

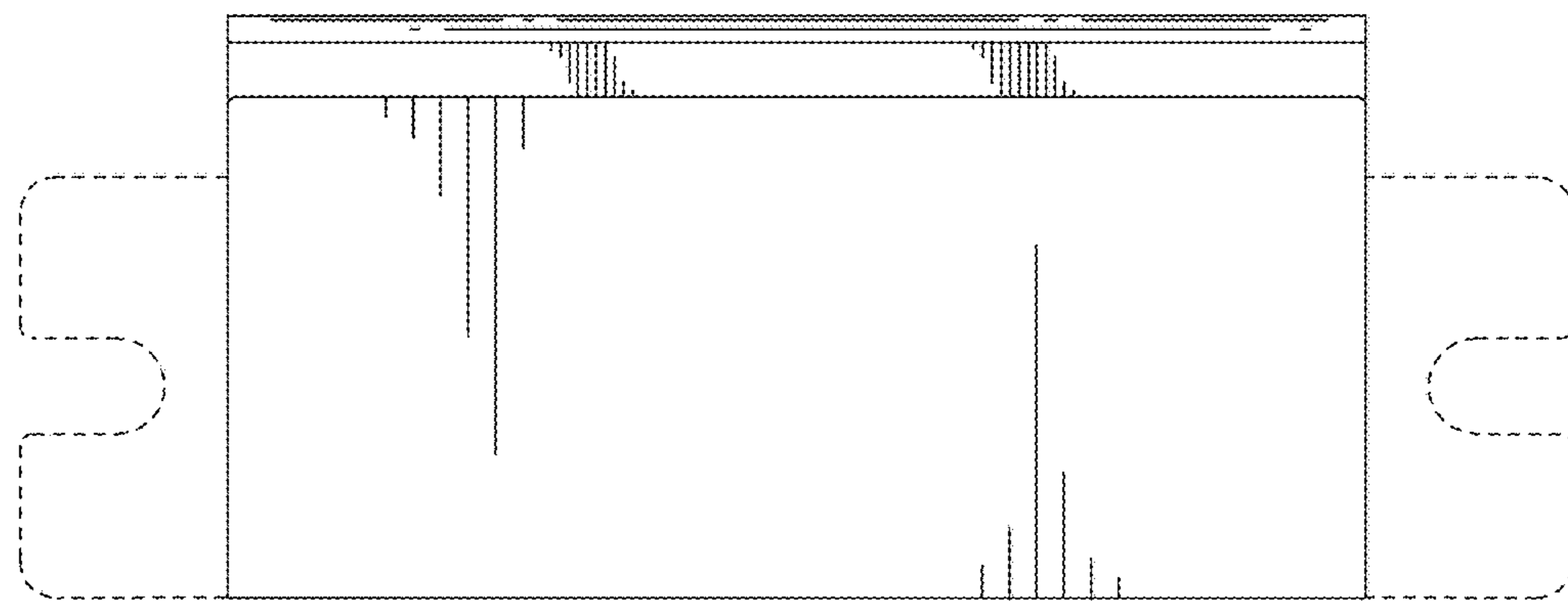


FIG. 4.

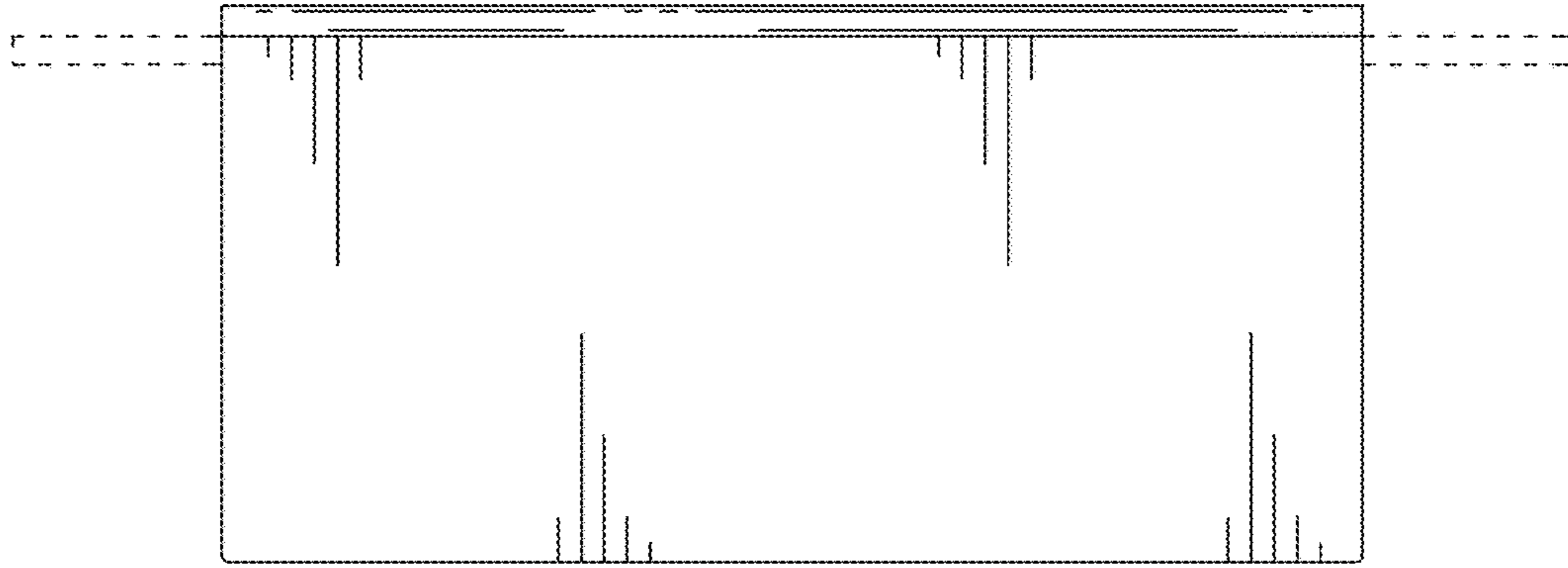


FIG. 5.

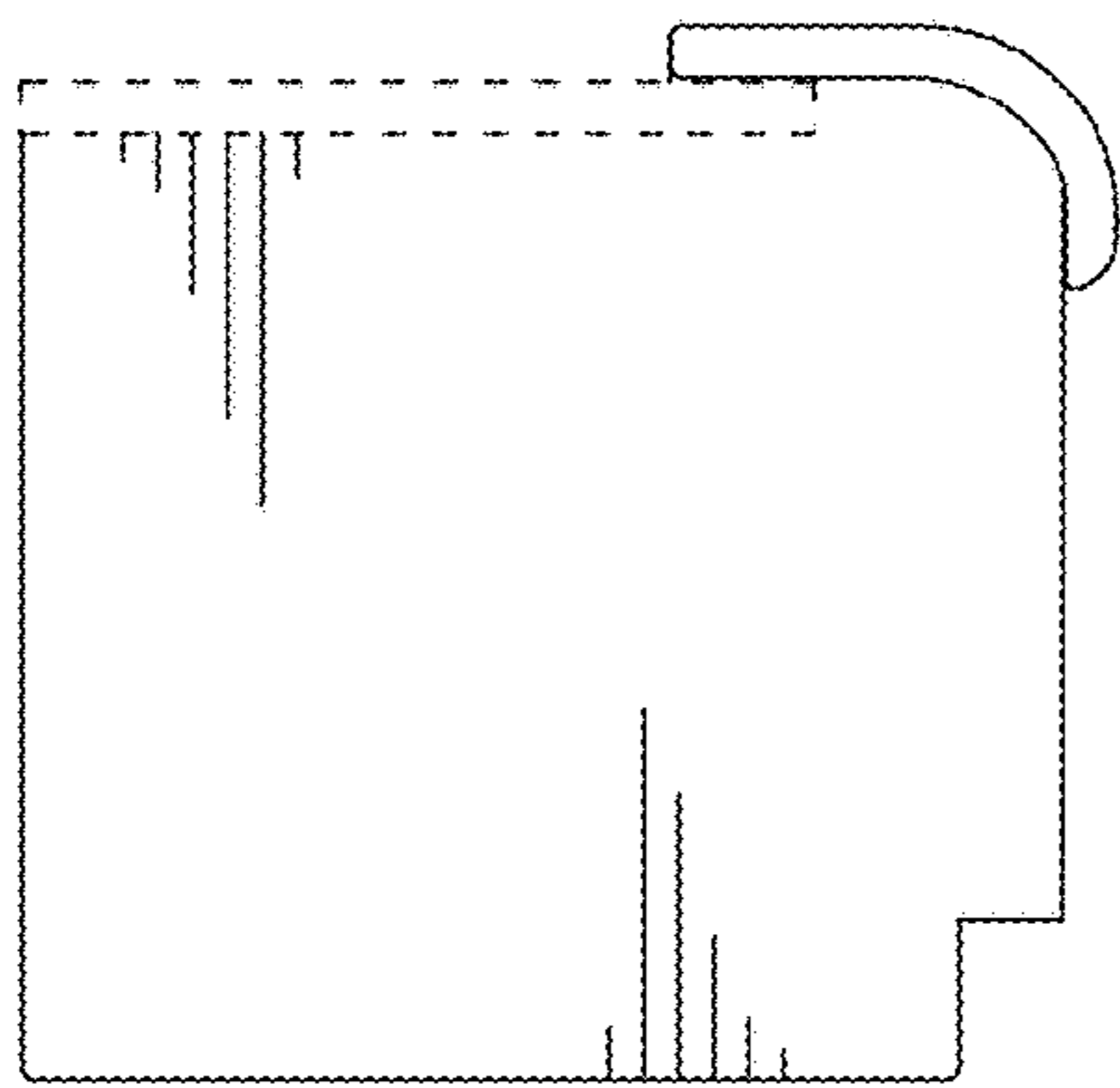


FIG. 6.

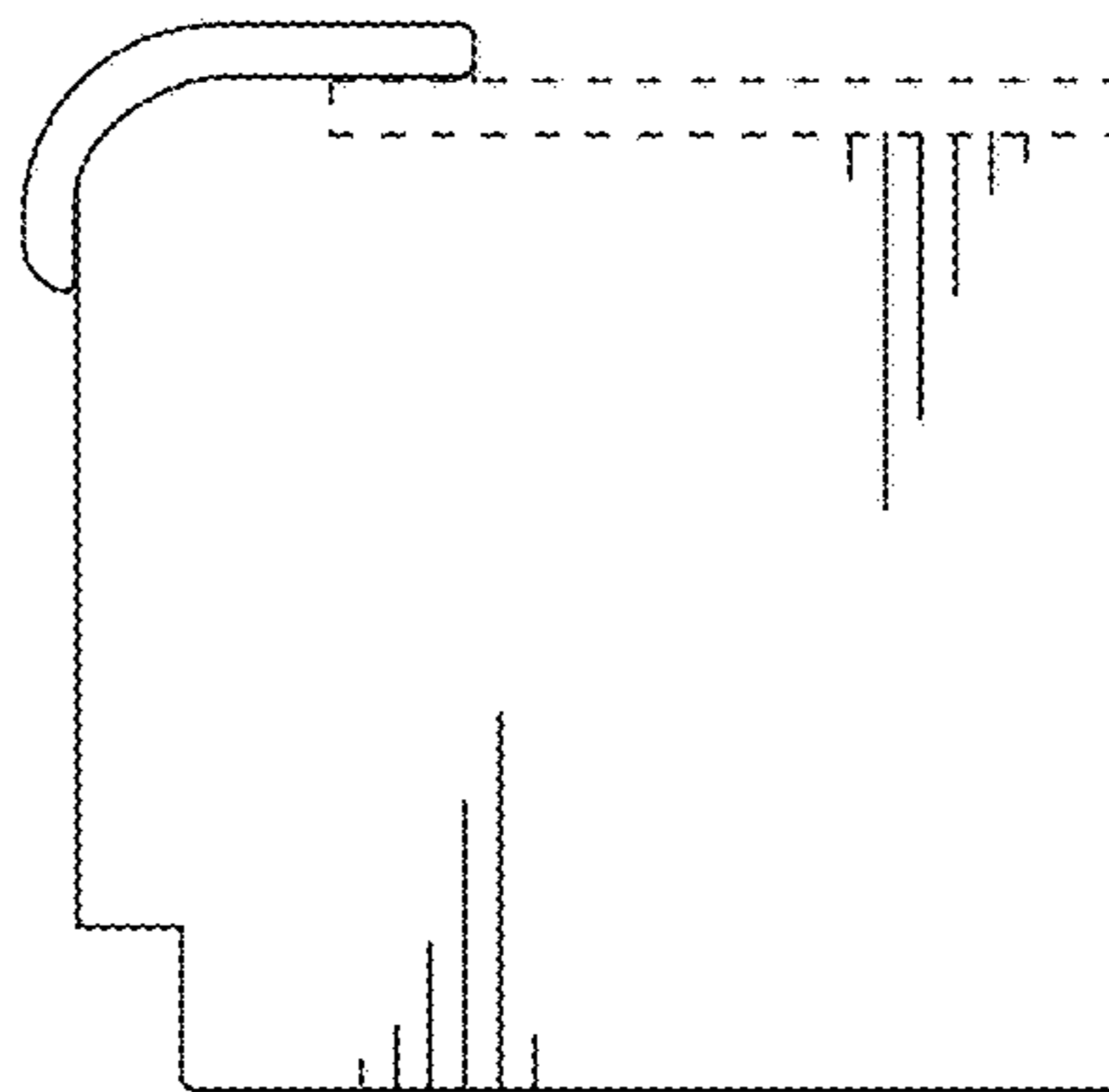


FIG. 7.