



US00D794415S

(12) **United States Design Patent**
Hollman

(10) **Patent No.:** **US D794,415 S**

(45) **Date of Patent:** **** Aug. 15, 2017**

(54) **COMBINATION LOCK**
(71) Applicant: **KEYLESS.CO LLC**, Irving, TX (US)
(72) Inventor: **Joe Hollman**, Irving, TX (US)
(73) Assignee: **KEYLESS.CO LLC**, Irving, TX (US)
(**) Term: **15 Years**

5,127,244 A * 7/1992 Myers E05B 67/36
70/14
D388,309 S * 12/1997 Hamilton D8/330
D395,814 S * 7/1998 Yang D8/334
D556,013 S * 11/2007 Hesse D8/331
D618,081 S * 6/2010 Moyer D8/330
D624,389 S * 9/2010 Stevens D8/331
D662,394 S * 6/2012 Schmidt D8/334
D696,926 S * 1/2014 Kemppainen D8/334
D758,168 S * 6/2016 Gartner D8/331
D769,696 S * 10/2016 Davis D8/330

(21) Appl. No.: **29/569,546**

* cited by examiner

(22) Filed: **Jun. 28, 2016**

Primary Examiner — Prabhakar Deshmukh

(51) **LOC (10) Cl.** **08-07**

(74) *Attorney, Agent, or Firm* — Joseph G. Chu; JCIP

(52) **U.S. Cl.**
USPC **D8/334**

(57) **CLAIM**

(58) **Field of Classification Search**
USPC D8/300–302, 350, 330, 331, 343, 346,
D8/334; 70/14, 158, 160, 452, 448, 466;
292/348, 350, 357; D11/117, 130, 34;
D9/702, 720; 190/100, 101, 900
CPC E05B 1/0007; E05B 9/00; E05B 17/00;
A45C 5/00; A45C 13/00; A45C 13/002
See application file for complete search history.

I claim an ornamental design for the combination lock, as shown and described.

DESCRIPTION

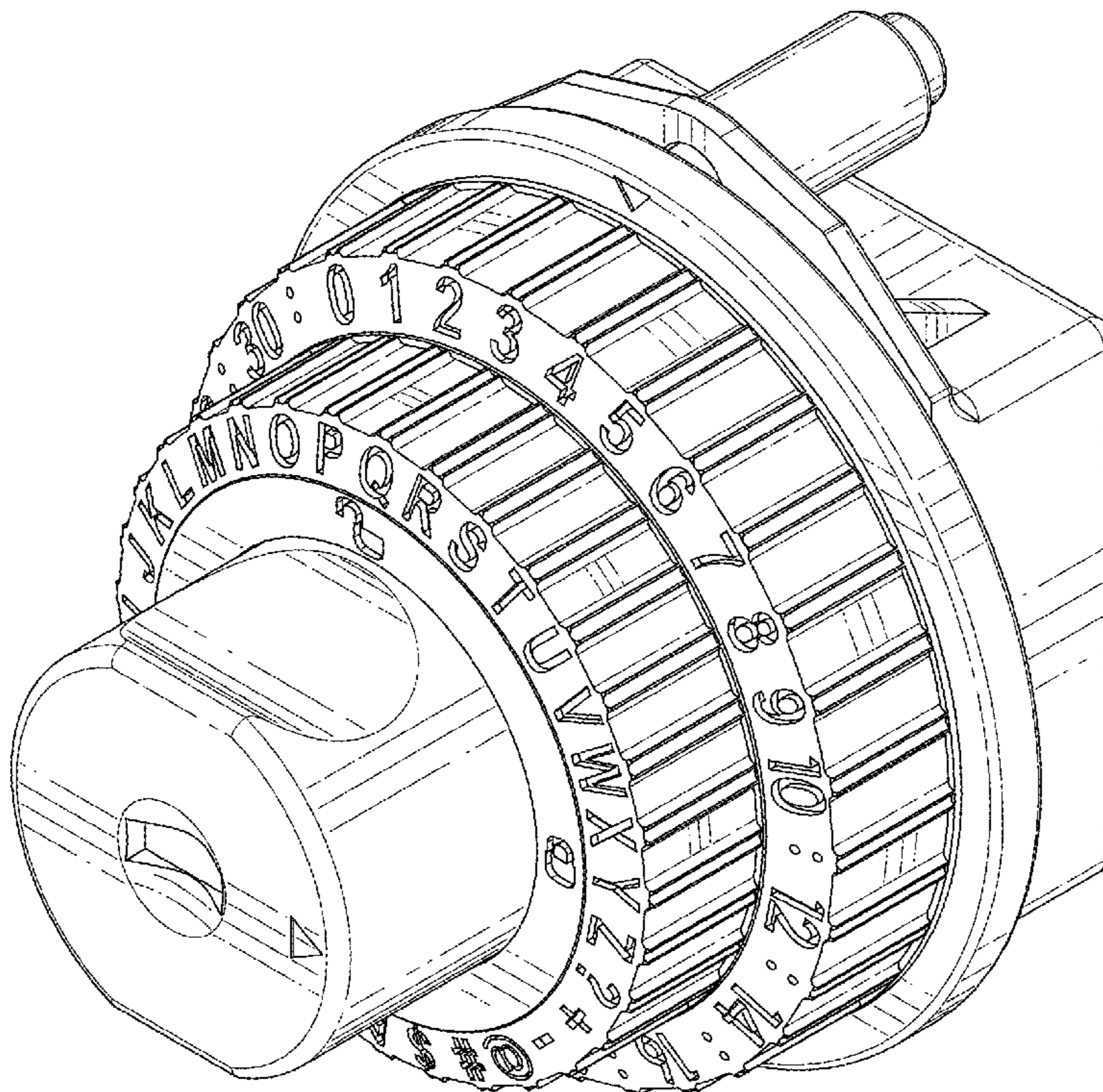
(56) **References Cited**

U.S. PATENT DOCUMENTS

4,142,809 A * 3/1979 Shell F16B 12/34
248/251
4,799,371 A * 1/1989 Duncan E05B 37/16
70/214

FIG. 1 is a front perspective view of a combination lock showing Applicant's new design;
FIG. 2 is a front view of the combination lock;
FIG. 3 is a rear view of the combination lock;
FIG. 4 is a side view of the combination lock;
FIG. 5 is another side view of the combination lock;
FIG. 6 is a bottom view of the combination lock; and,
FIG. 7 is a top view of the combination lock.
The broken lines indicate unclaimed portions and form no part of the claimed design.

1 Claim, 7 Drawing Sheets



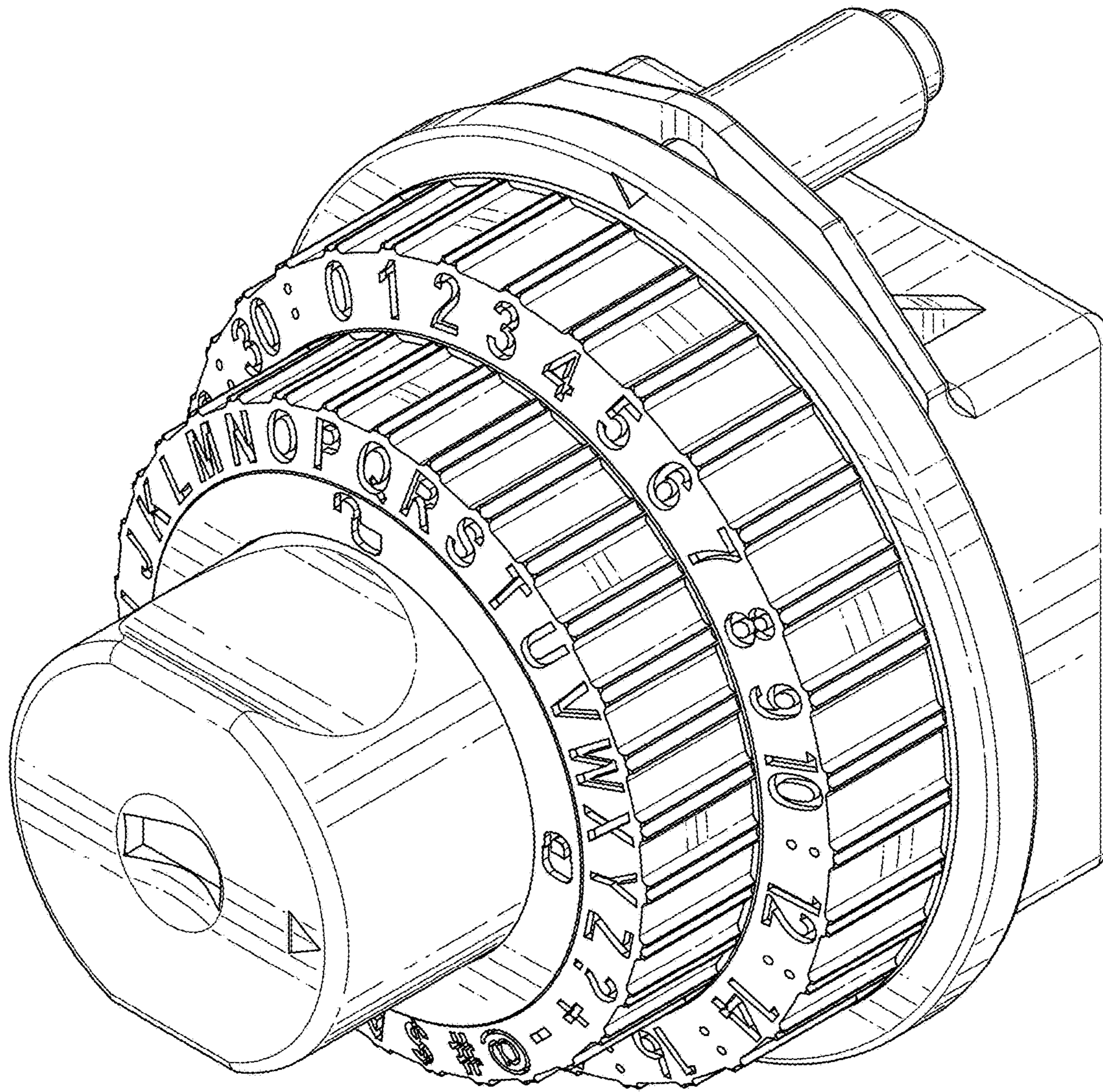


FIG. 1

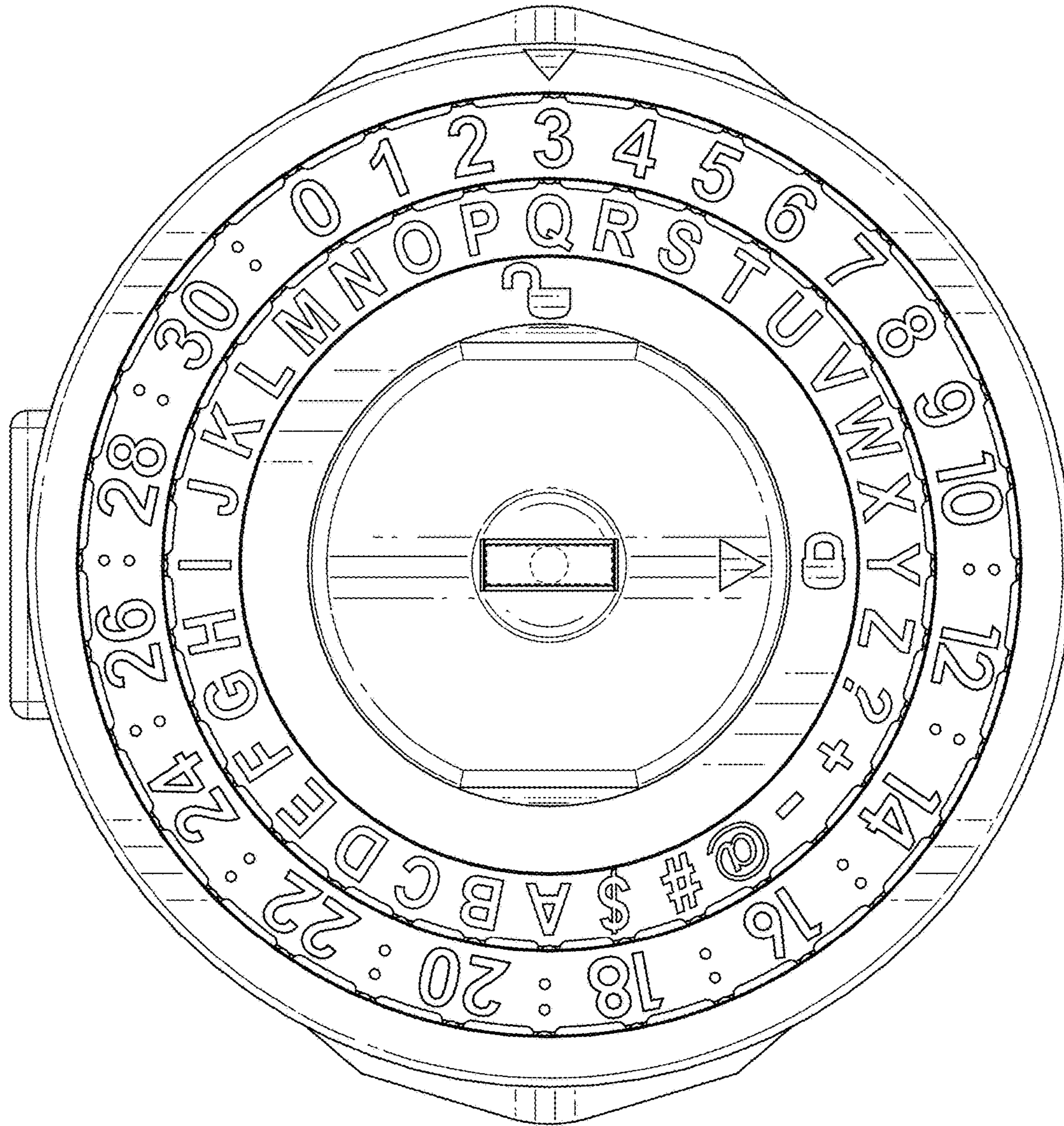


FIG. 2

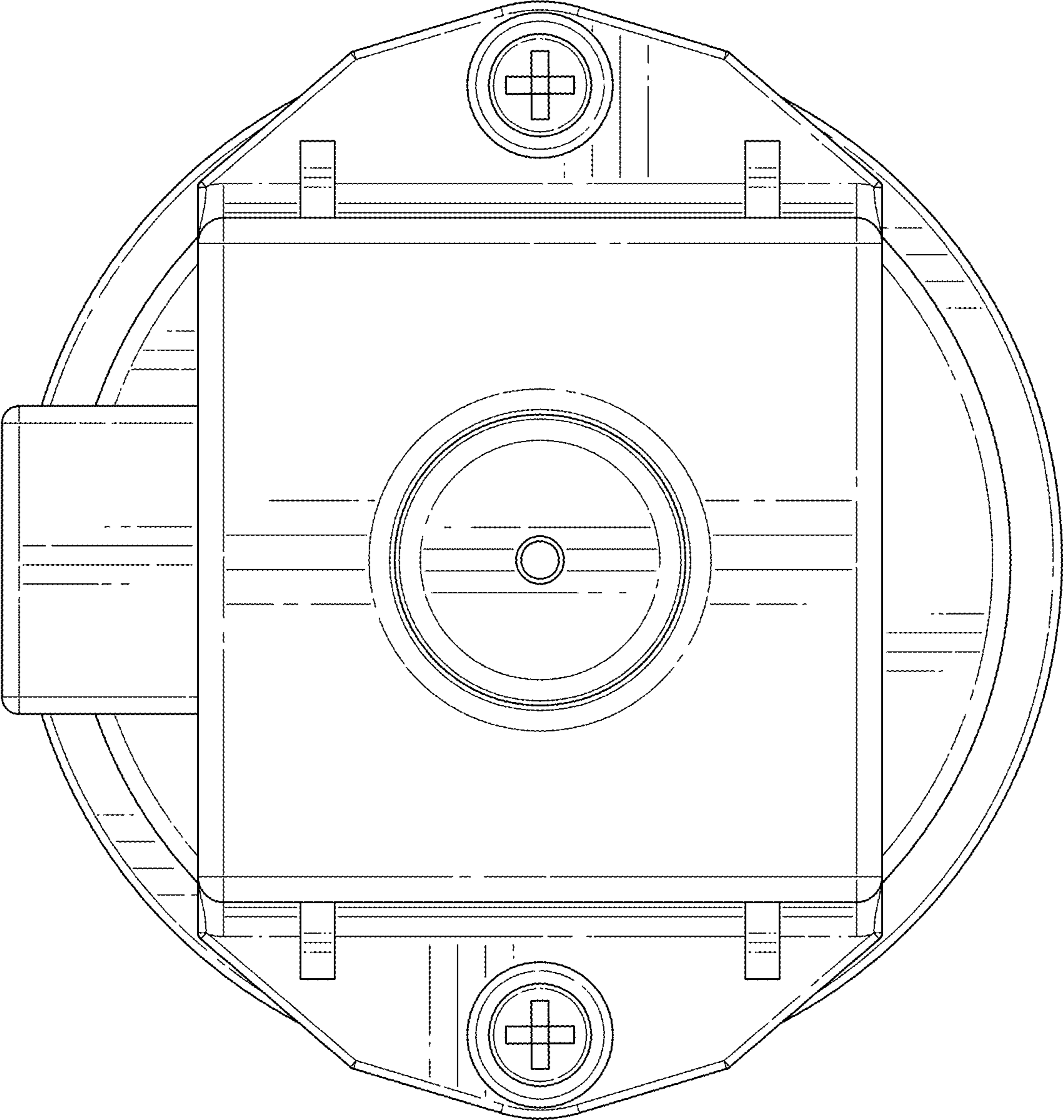


FIG. 3

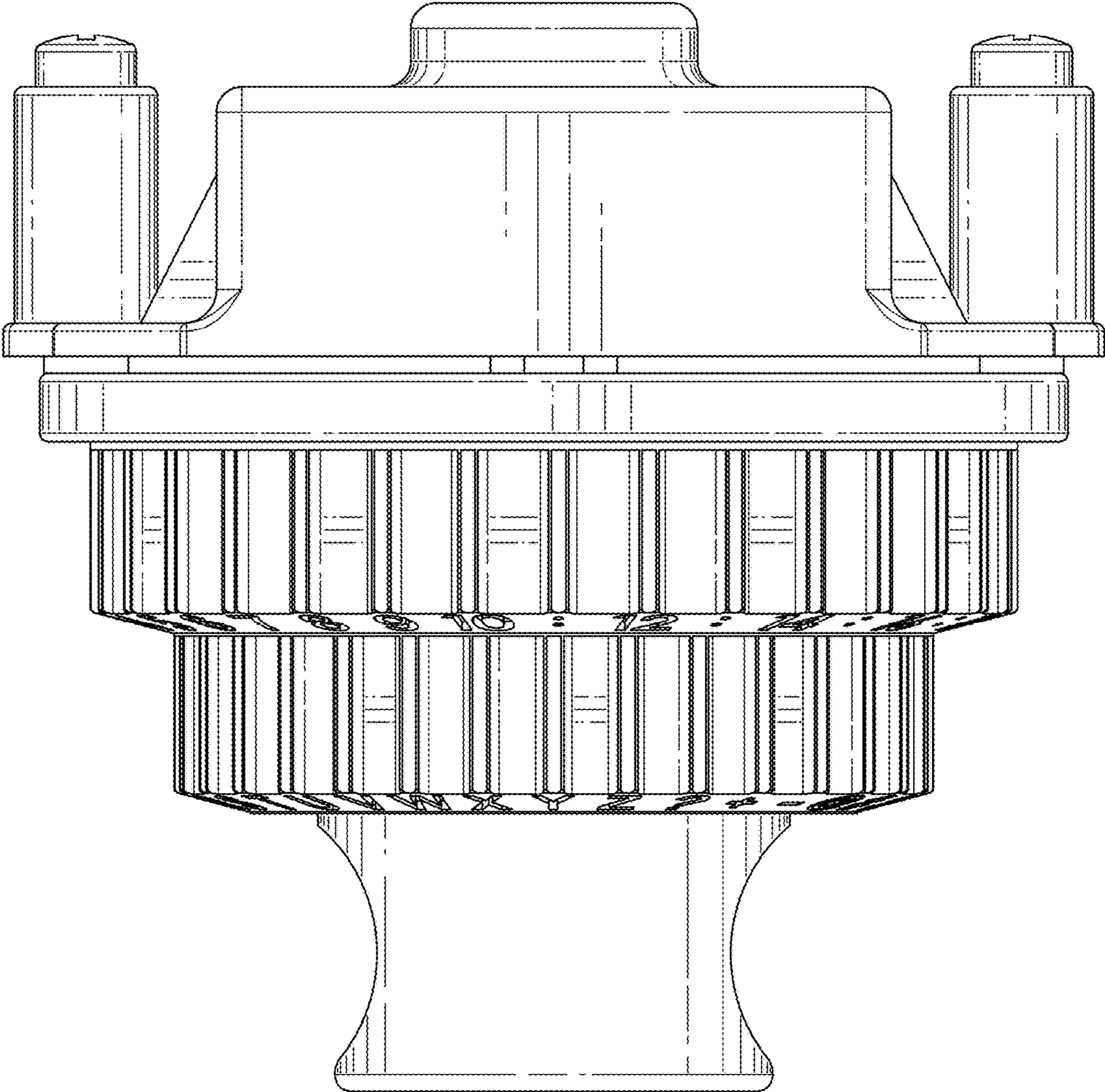


FIG. 4

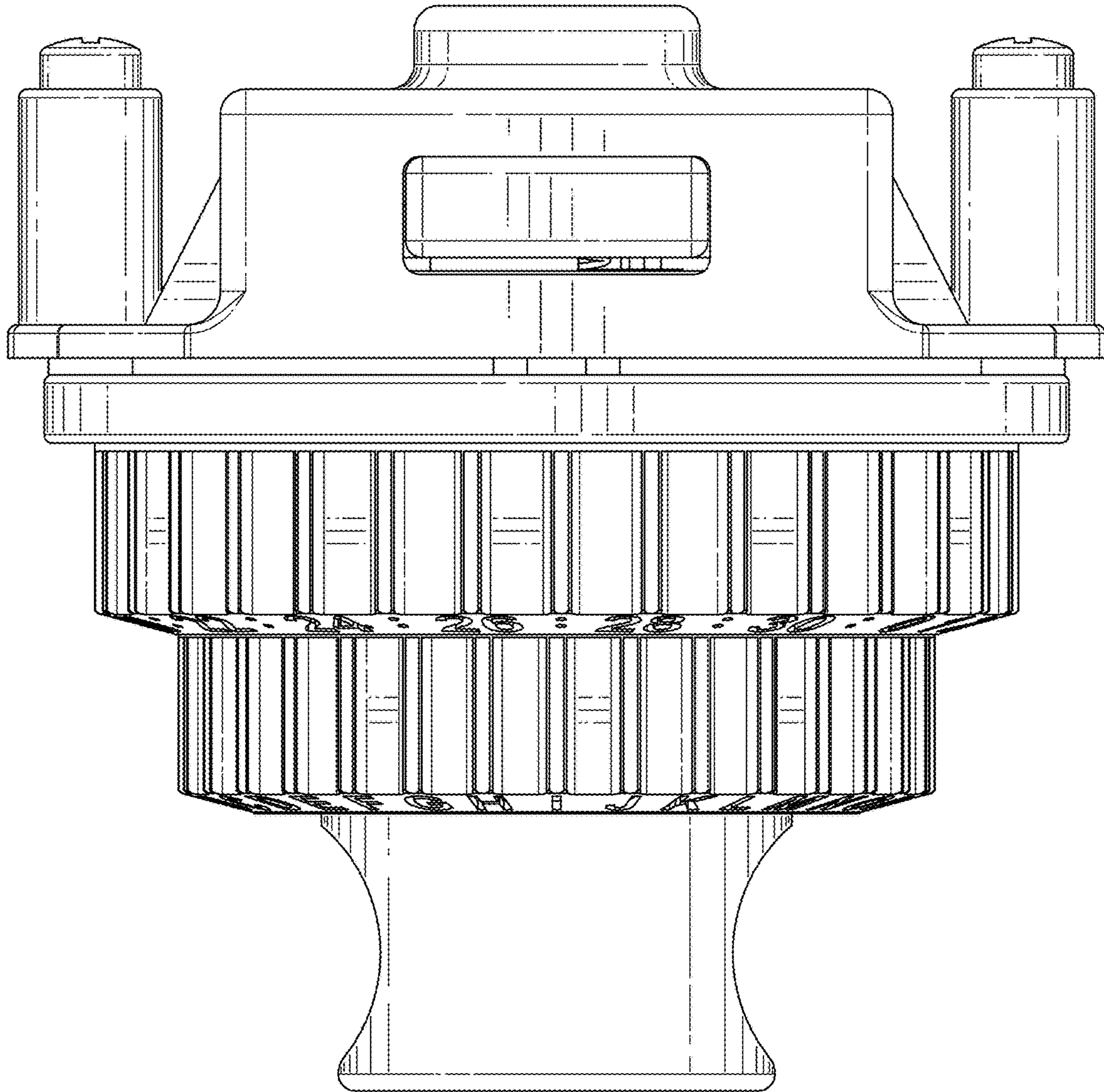


FIG. 5

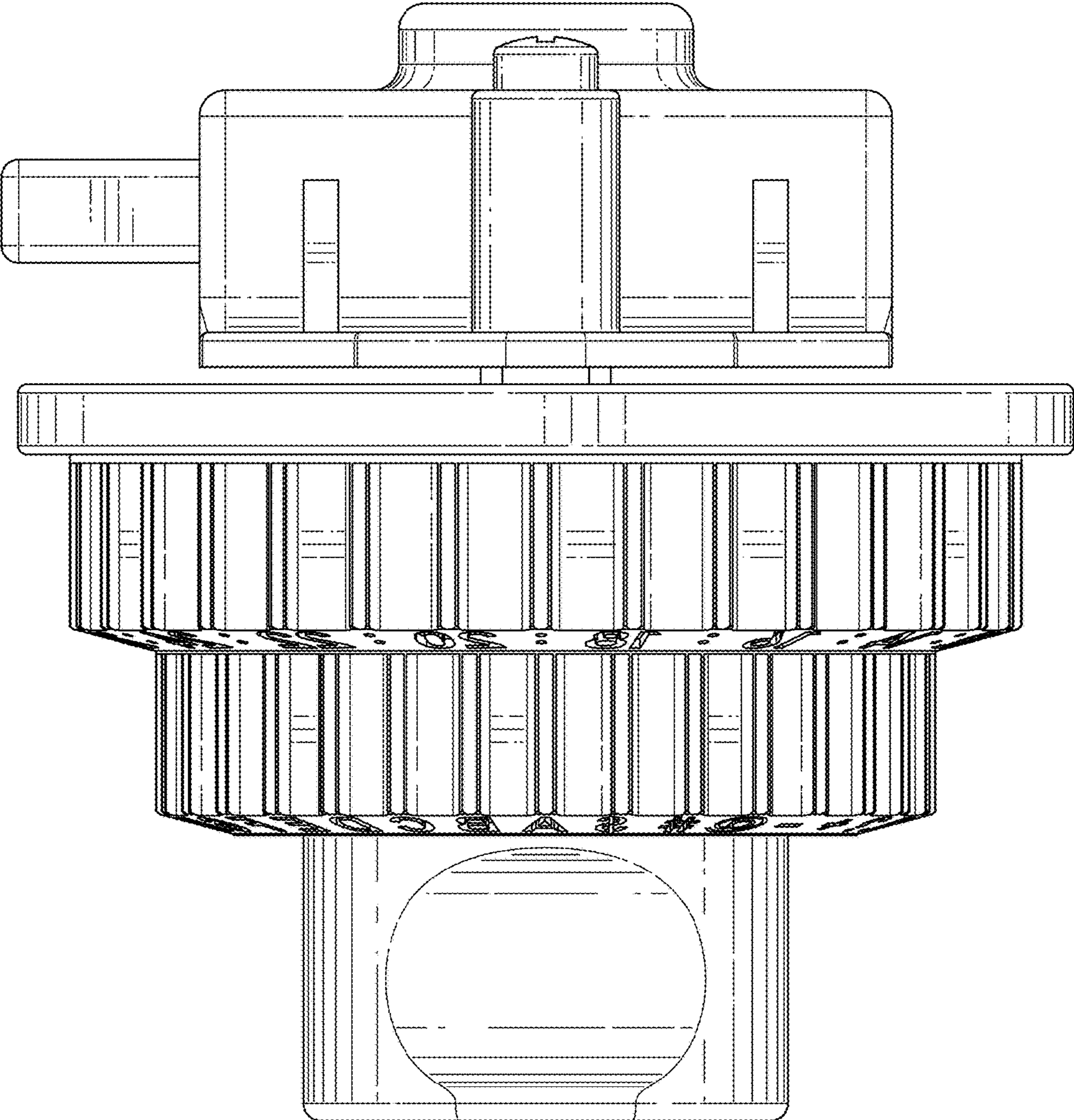


FIG. 6

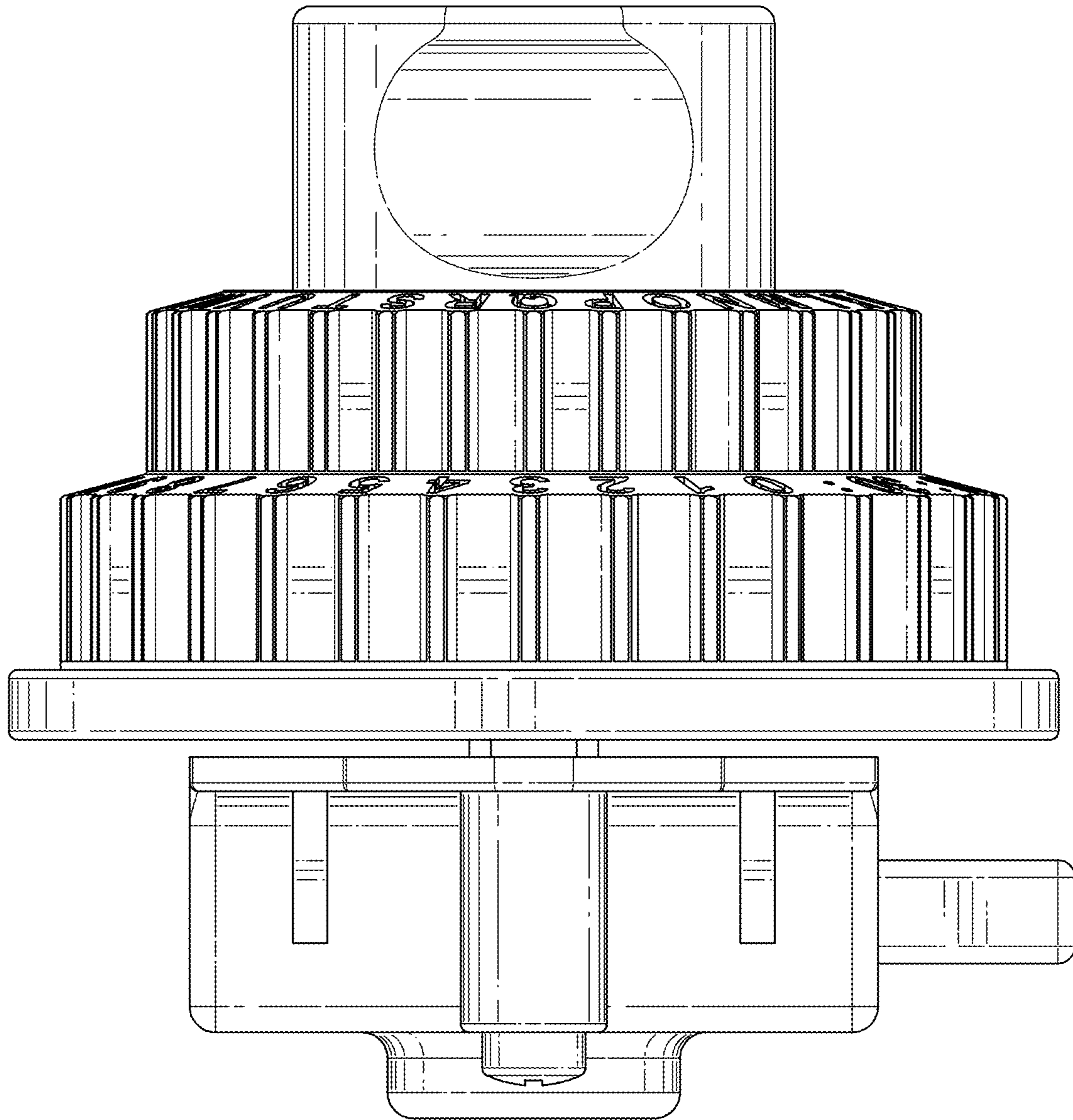


FIG. 7