



US00D794414S

(12) **United States Design Patent**  
**Chou**

(10) **Patent No.:** **US D794,414 S**

(45) **Date of Patent:** **\*\* Aug. 15, 2017**

(54) **ELECTRONIC LOCK**

(71) Applicant: **Rainbow Arrival Science Technology Co., LTD.**, Taipei (TW)

(72) Inventor: **Shih-Kang Chou**, Taipei (TW)

(73) Assignee: **Rainbow Arrival Science Technology Co., Ltd.**, Taipei (TW)

(\*\*) Term: **15 Years**

(21) Appl. No.: **29/566,234**

(22) Filed: **May 27, 2016**

(30) **Foreign Application Priority Data**

Dec. 3, 2015 (TW) ..... 104306755  
Apr. 8, 2016 (TW) ..... 104306755D01

(51) **LOC (10) Cl.** ..... **08-07**

(52) **U.S. Cl.**  
USPC ..... **D8/331; D8/330; D8/350**

(58) **Field of Classification Search**  
USPC ..... D8/330, 331, 334, 300, 301, 350; 70/14, 70/20-22, 57, 57.1, 284-286, 314, 70/DIG. 44, 266, 277, 271; 292/288-292  
CPC ..... E05B 9/00; E05B 9/02; E05B 2009/006; E05B 49/00; E05B 19/00; E05B 15/00; E05B 49/02; E05B 17/00; E05B 3/00  
See application file for complete search history.

(56) **References Cited**

**U.S. PATENT DOCUMENTS**

5,475,996 A \* 12/1995 Chen ..... E05B 47/0692  
70/218  
5,987,945 A \* 11/1999 Ruano Aramburu .....  
E05B 47/0692  
70/107

6,758,070 B2 \* 7/2004 Yu ..... E05B 47/068  
292/144  
6,865,913 B2 \* 3/2005 Yamagishi ..... G07C 9/00563  
70/224  
7,091,429 B2 \* 8/2006 Case ..... E05B 15/02  
200/314  
D545,172 S \* 6/2007 Kaiser ..... D8/331  
D551,057 S \* 9/2007 Min ..... D8/330  
7,984,631 B2 \* 7/2011 Case ..... E05B 15/02  
70/278.1  
D686,569 S \* 7/2013 Lau ..... D13/103  
D693,666 S \* 11/2013 Gianoli ..... D8/330  
D752,946 S \* 4/2016 Shen ..... D8/330  
D767,365 S \* 9/2016 Yu ..... D8/330  
D773,281 S \* 12/2016 Meyerhoffer ..... D8/331

\* cited by examiner

*Primary Examiner* — Prabhakar Deshmukh

(74) *Attorney, Agent, or Firm* — Alan D. Kamrath;  
Kamrath IP Lawfirm, P.A.

(57) **CLAIM**

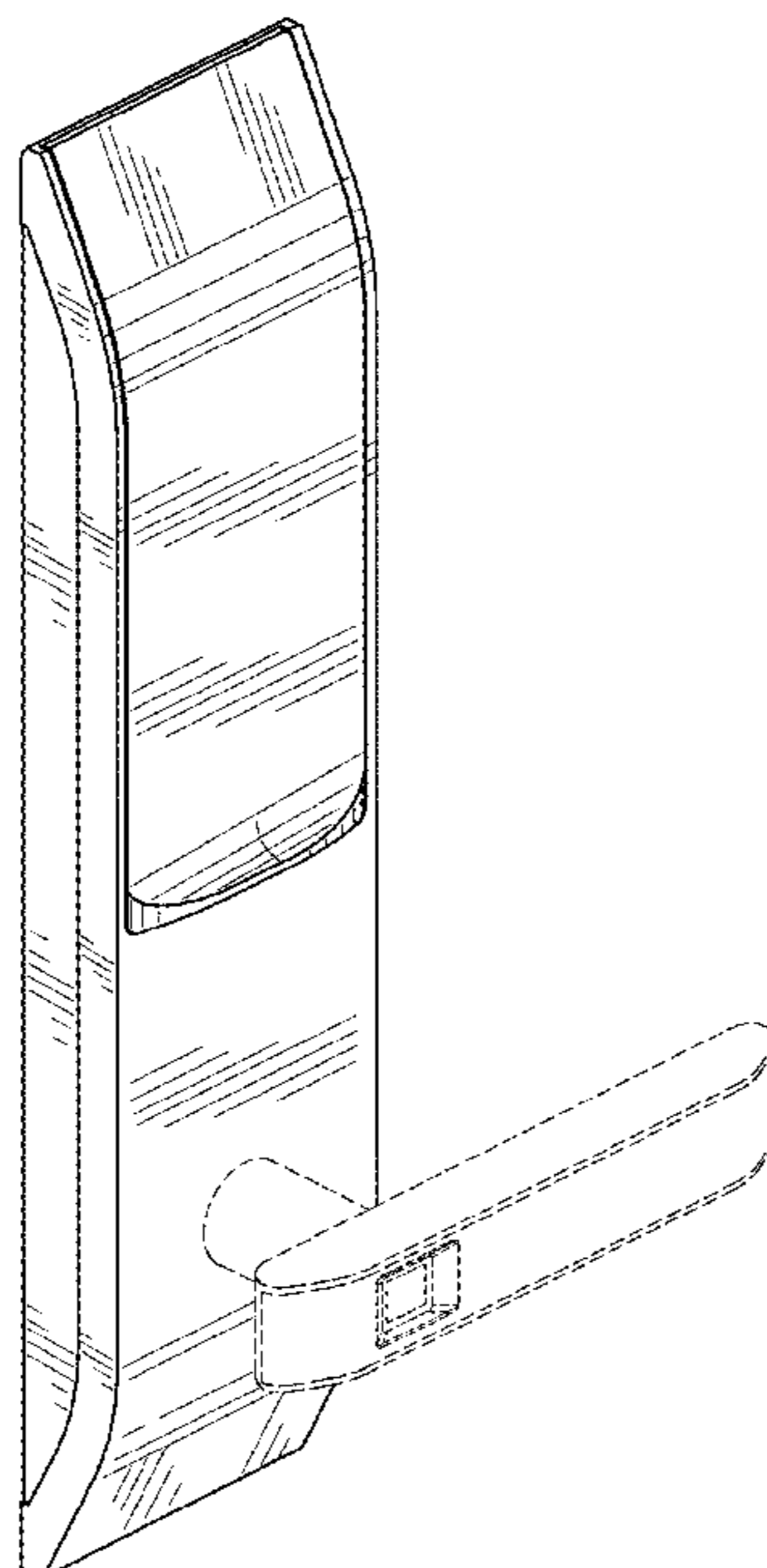
The ornamental design for an electronic lock, as shown and described.

**DESCRIPTION**

FIG. 1 is a perspective view of an electronic lock showing my new design;  
FIG. 2 is a front elevational view thereof;  
FIG. 3 is a left side elevational view thereof;  
FIG. 4 is a right side elevational view thereof;  
FIG. 5 is a top plan view thereof; and,  
FIG. 6 is a bottom plan view thereof.

The broken lines shown in the figures are for illustrating environmental subject matters that form no part of the claimed design.

**1 Claim, 4 Drawing Sheets**



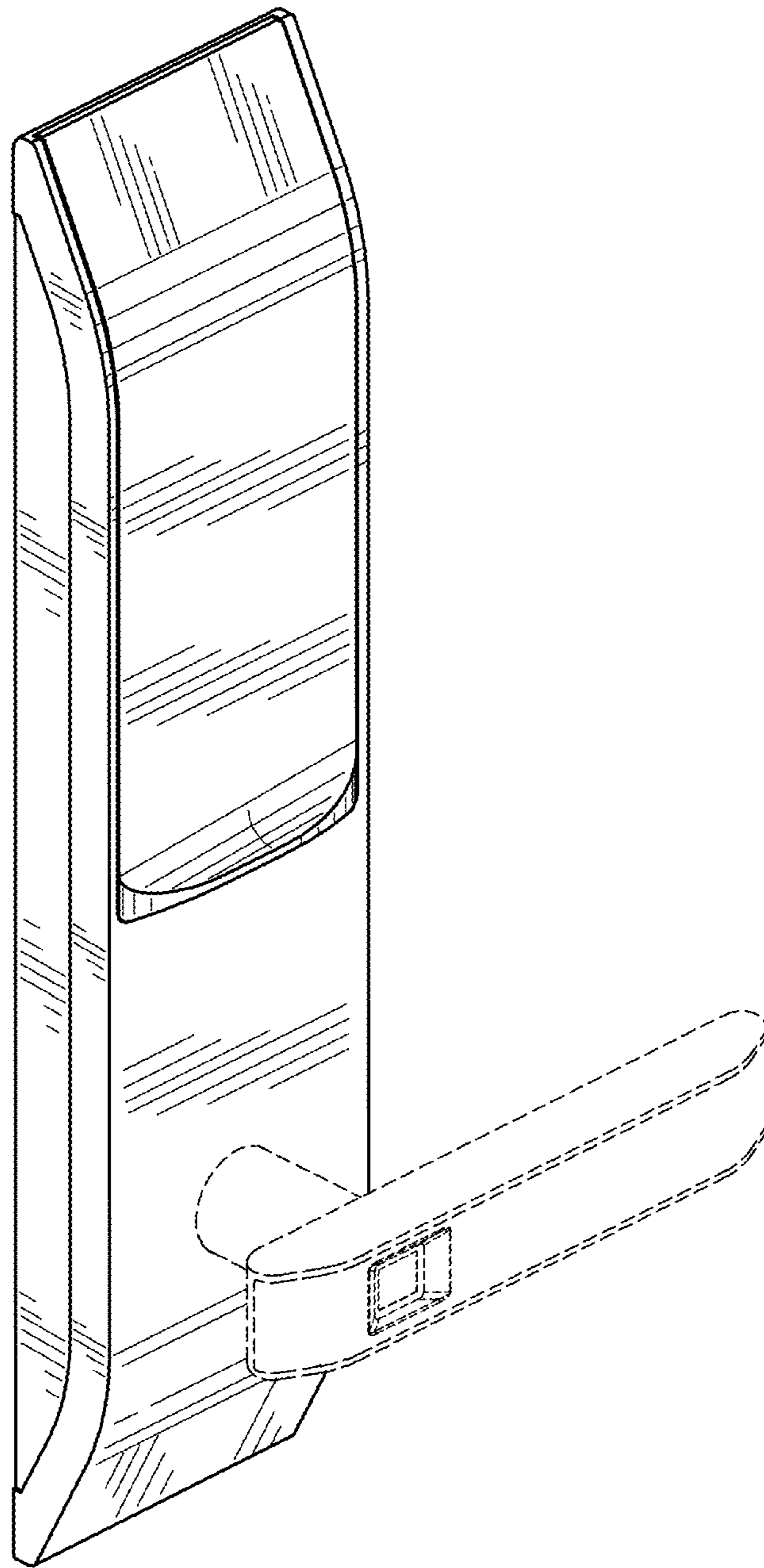


FIG. 1

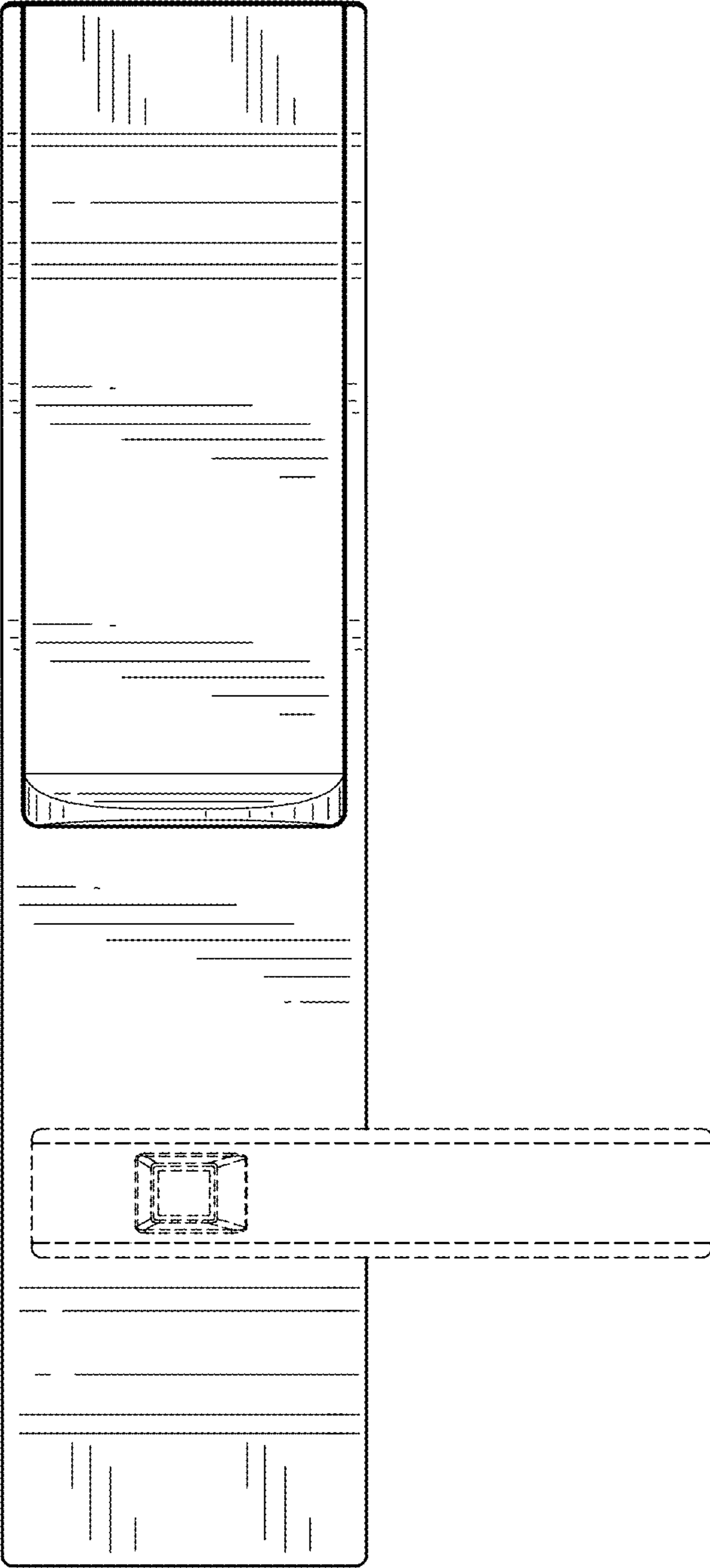


FIG.2

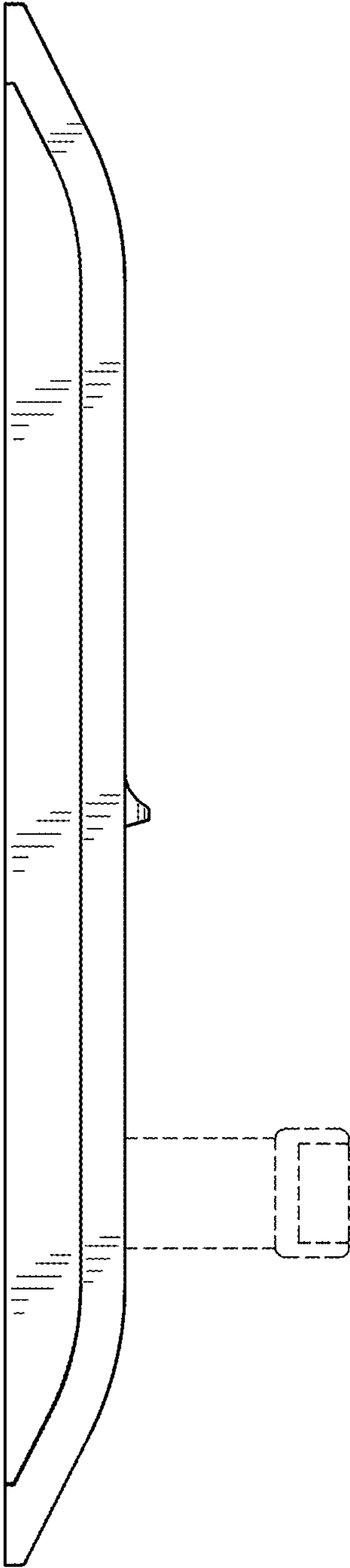


FIG.3

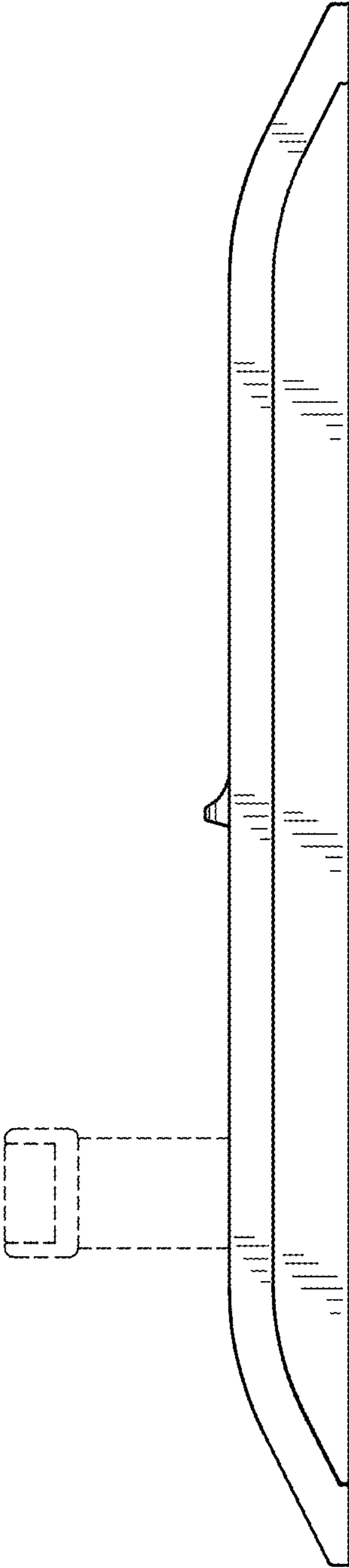


FIG.4

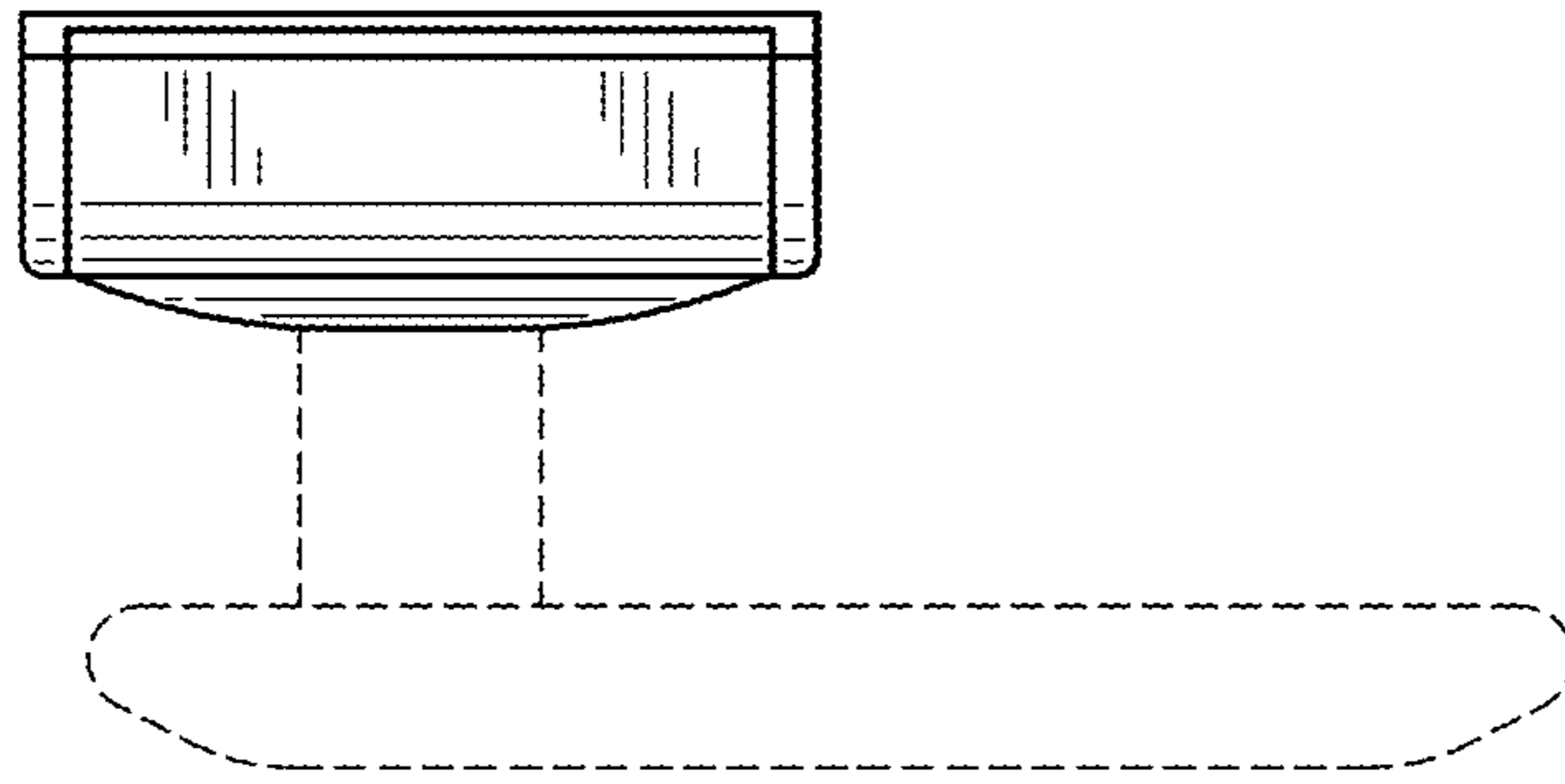


FIG. 5

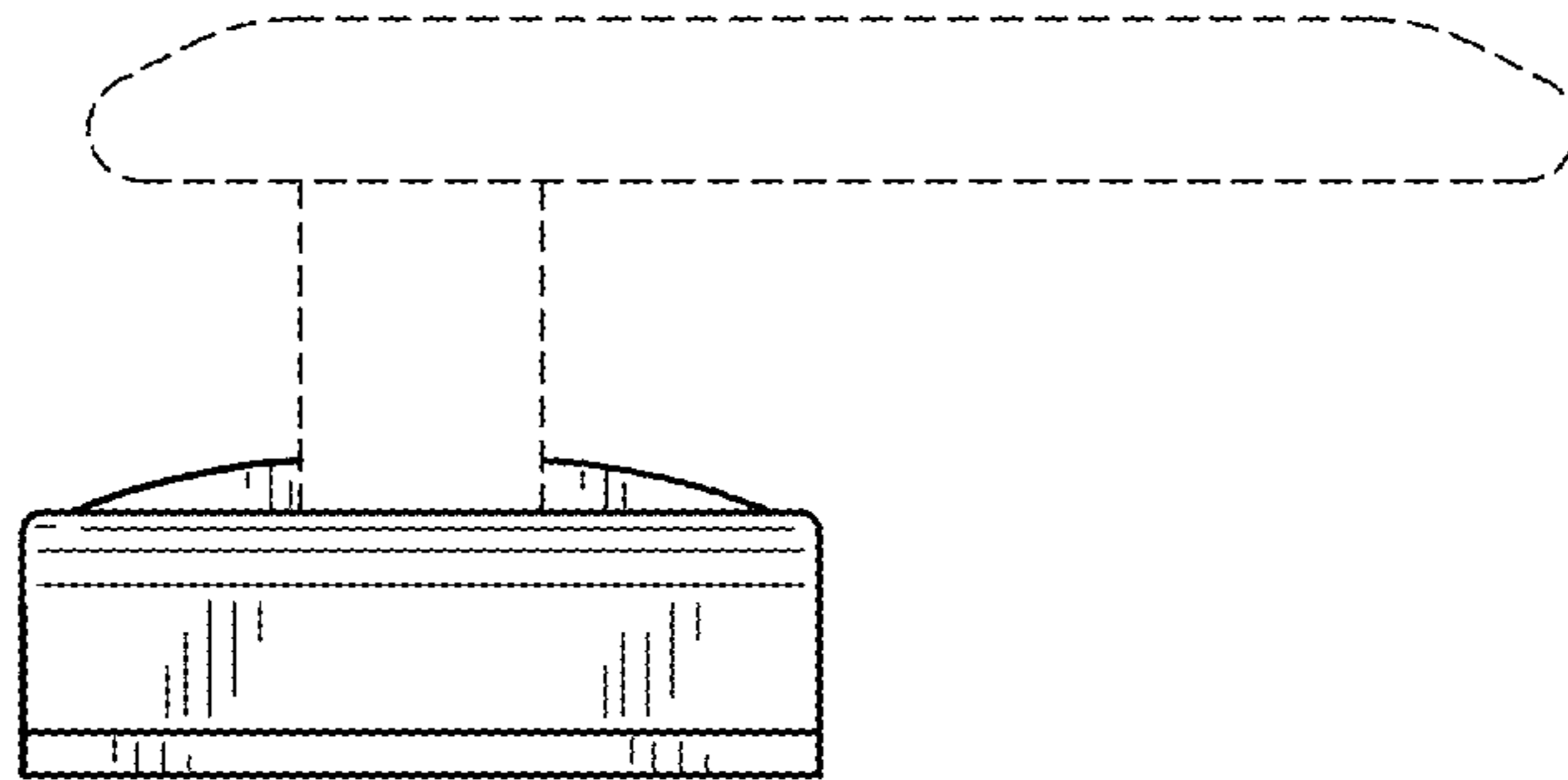


FIG. 6