



US00D794412S

(12) **United States Design Patent**
Darmali

(10) **Patent No.:** **US D794,412 S**

(45) **Date of Patent:** **** Aug. 15, 2017**

(54) **DOOR KNOB ATTACHMENT**

(71) Applicant: **Julius Darmali**, Arcadia, CA (US)

(72) Inventor: **Julius Darmali**, Arcadia, CA (US)

(**) Term: **15 Years**

(21) Appl. No.: **29/558,194**

(22) Filed: **Mar. 15, 2016**

(51) **LOC (10) Cl.** **08-06**

(52) **U.S. Cl.**
USPC **D8/306**

(58) **Field of Classification Search**
USPC D8/300, 302, 304, 305, 311, 315, 75, 77,
D8/307, 353, 394, 318; D7/655, 656,
D7/657, 661, 691
CPC A47B 95/02
See application file for complete search history.

(56) **References Cited**

U.S. PATENT DOCUMENTS

- 2,723,661 A * 11/1955 Hull A61B 13/00
600/240
- D245,095 S * 7/1977 Murray D8/17
- D318,319 S * 7/1991 Rokita D23/238
- D329,186 S * 9/1992 Sorensen D8/307
- D371,434 S * 7/1996 Ouzounian D8/307

- D379,497 S * 5/1997 Renfro D8/307
- D424,663 S * 5/2000 Mark D23/238
- D444,855 S * 7/2001 Green D23/252
- D460,530 S * 7/2002 Green D23/250
- D467,143 S * 12/2002 Kehoe D8/39
- D544,334 S * 6/2007 Dismuke D8/307
- D697,783 S * 1/2014 Chesner D8/107

* cited by examiner

Primary Examiner — Mark Goodwin

Assistant Examiner — Melvin Davis

(74) *Attorney, Agent, or Firm* — Garbis Law, LLC

(57) **CLAIM**

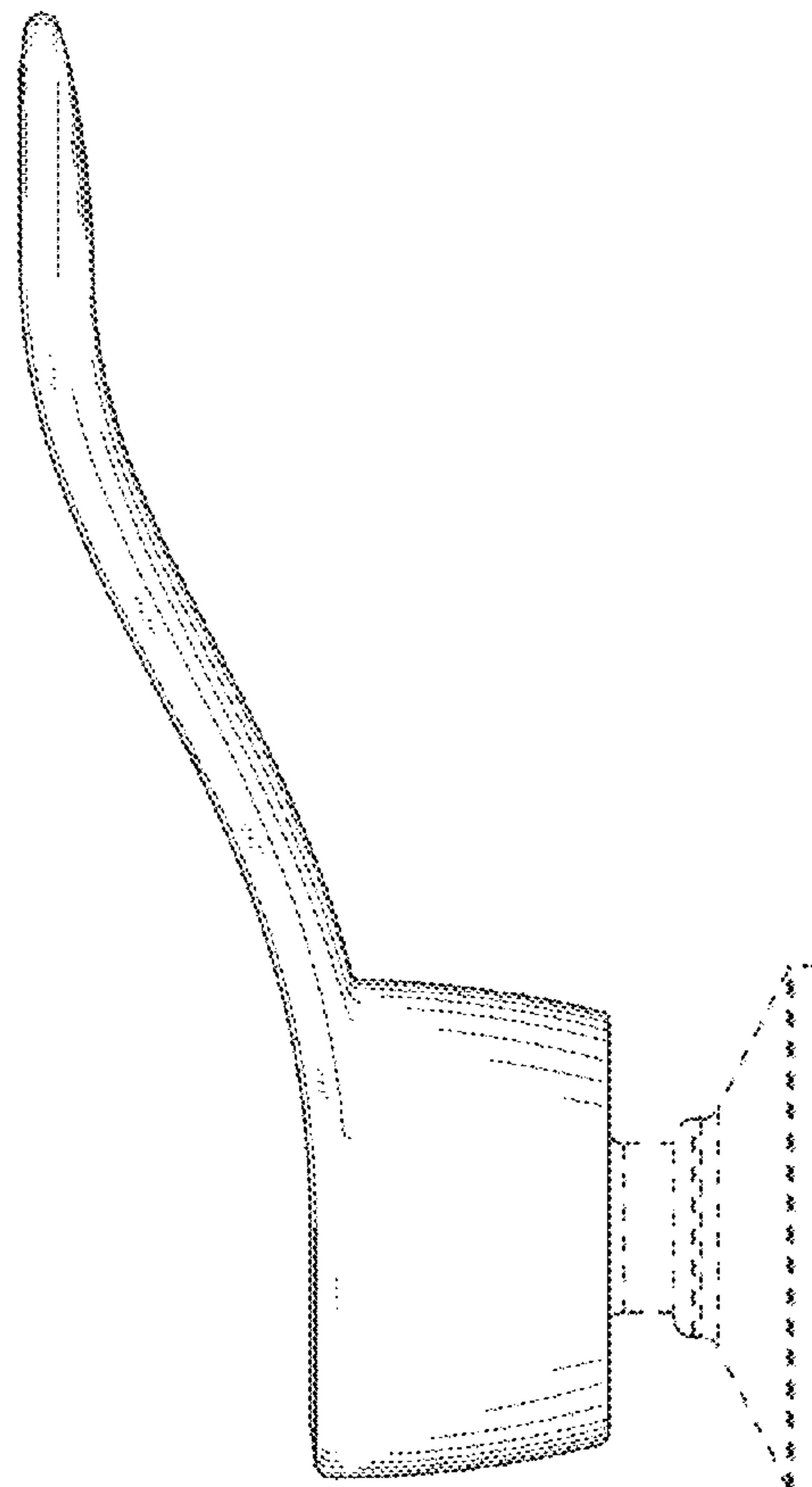
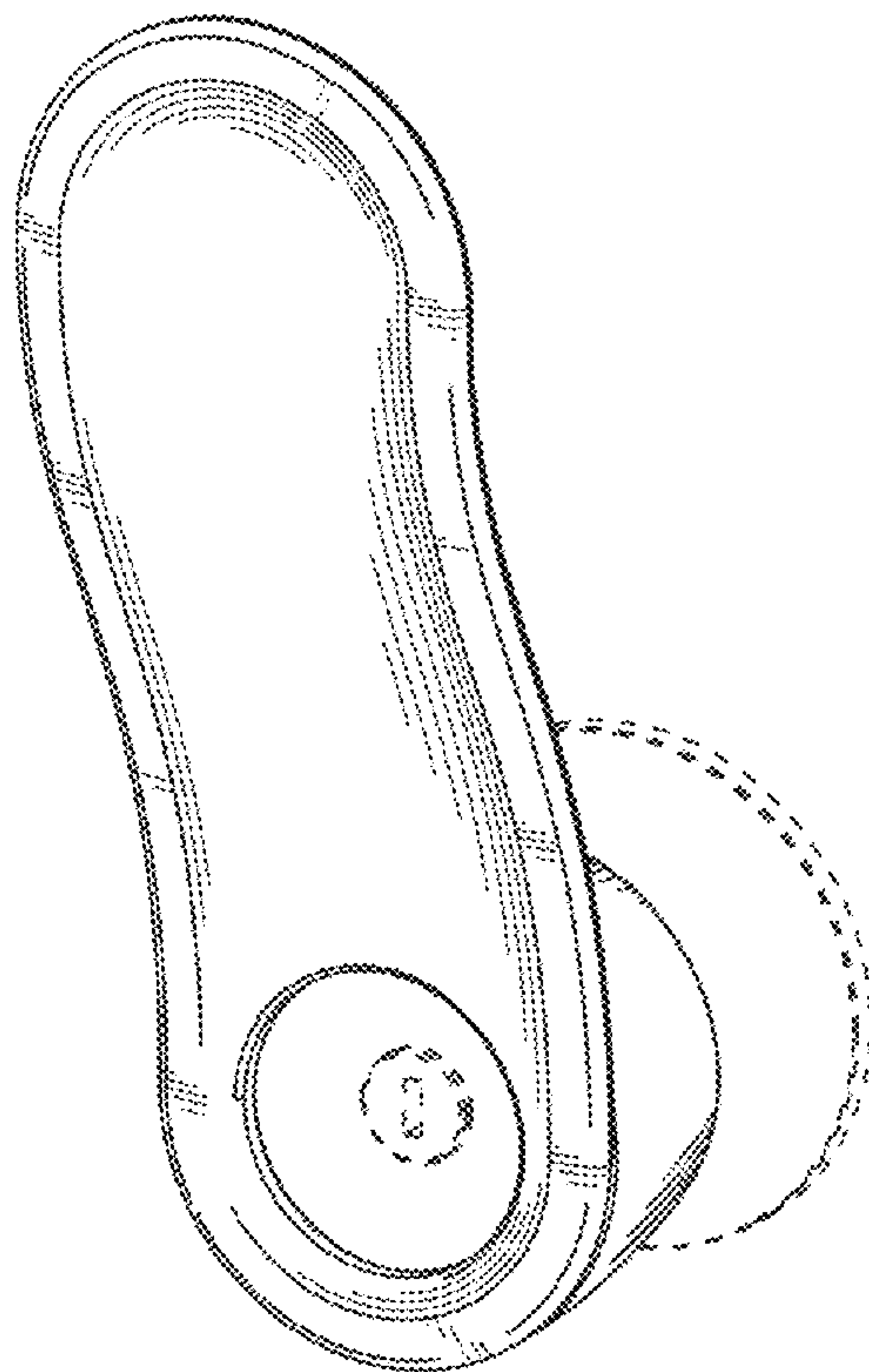
The ornamental design for a door knob attachment, as shown and described.

DESCRIPTION

FIG. 1 is a front top perspective view of a door knob attachment showing my new design; FIG. 2 is a left side view thereof; FIG. 3 is a front view thereof; FIG. 4 is a right side view thereof; FIG. 5 is a back view thereof; FIG. 6 is a top view thereof; and, FIG. 7 is a bottom view thereof.

Those portions of the figures that are presented in broken lines merely illustrate the environment of the design and are not part of the claimed design.

1 Claim, 6 Drawing Sheets



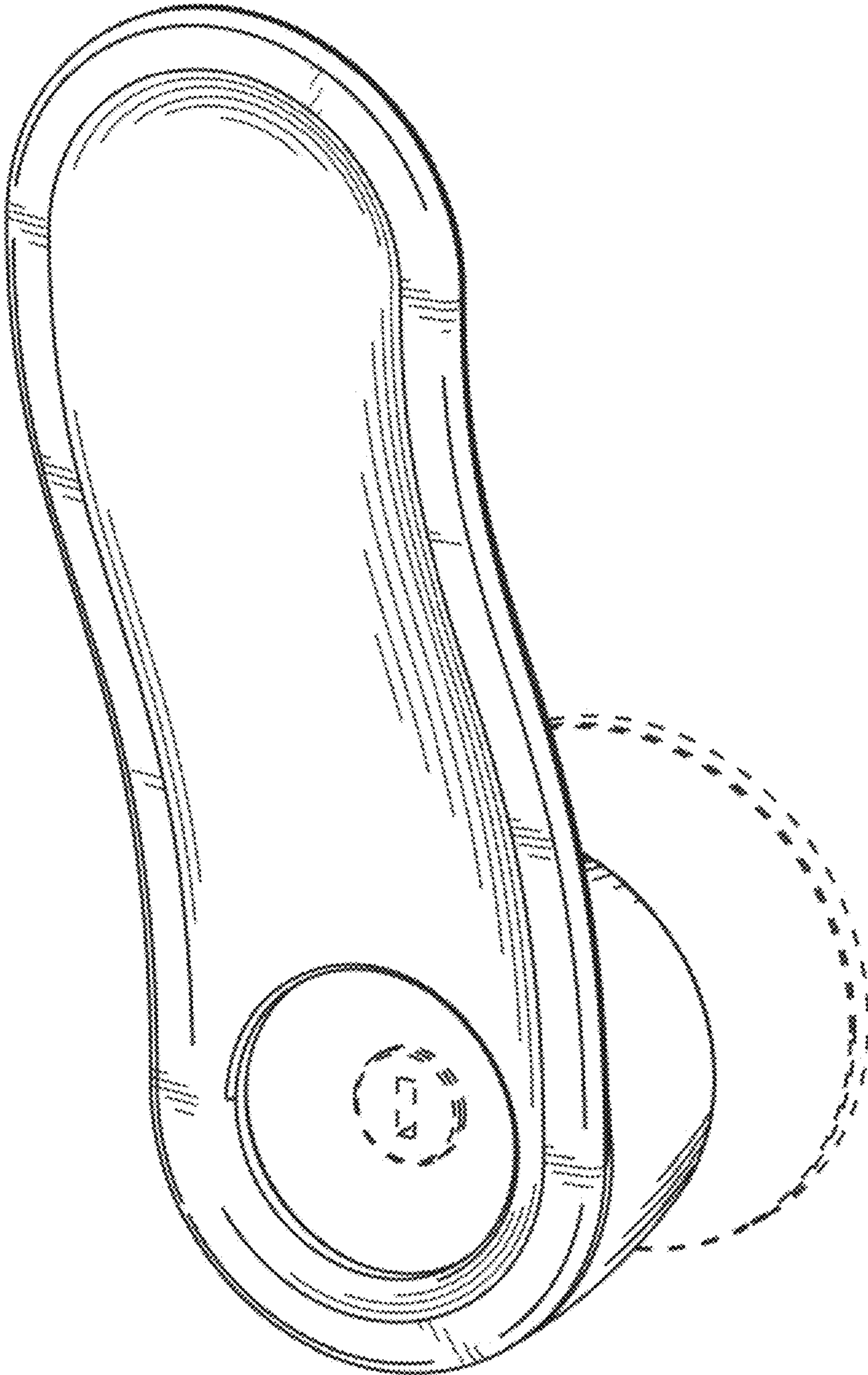


FIG. 1

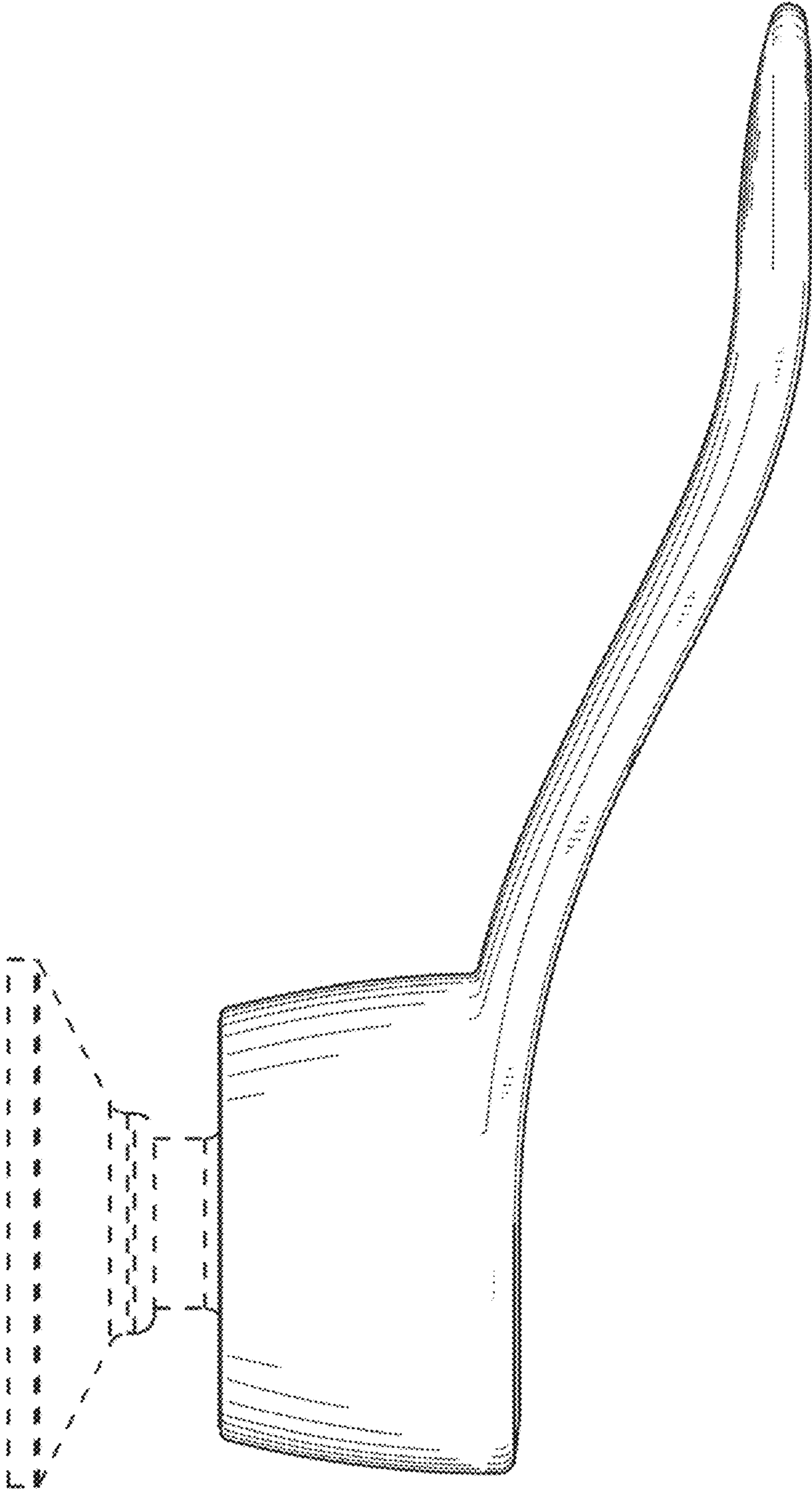


FIG. 2

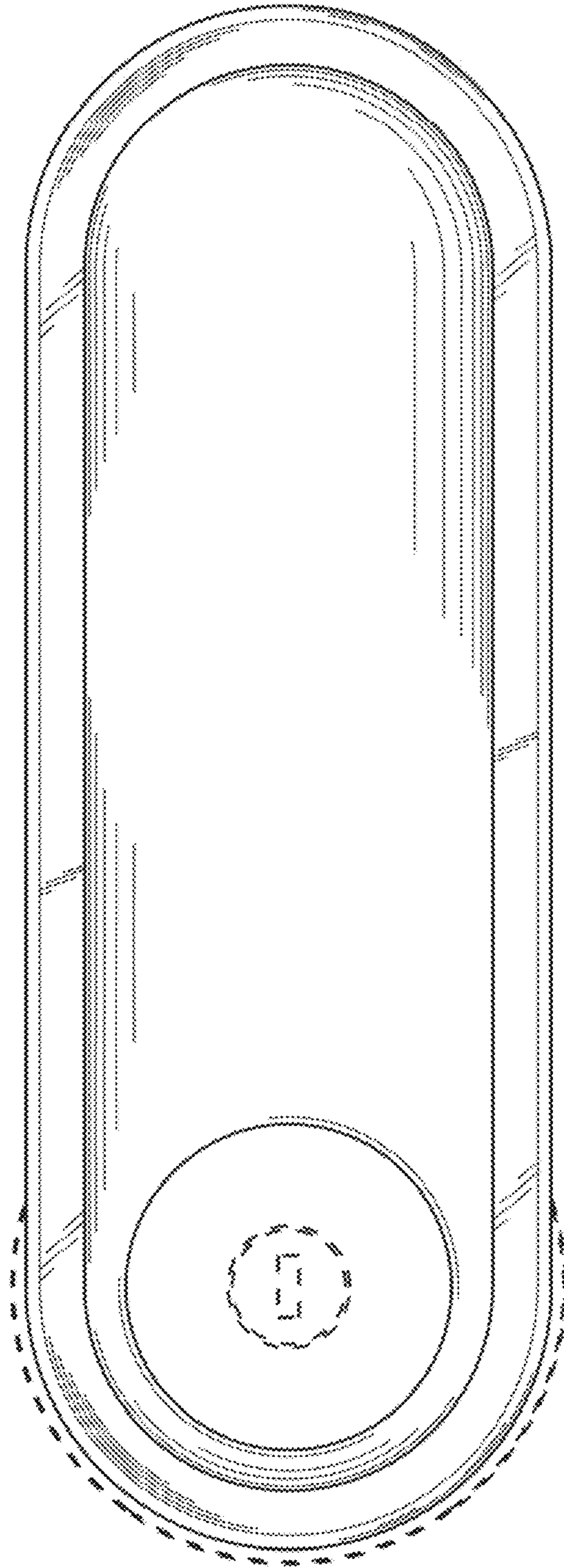


FIG. 3

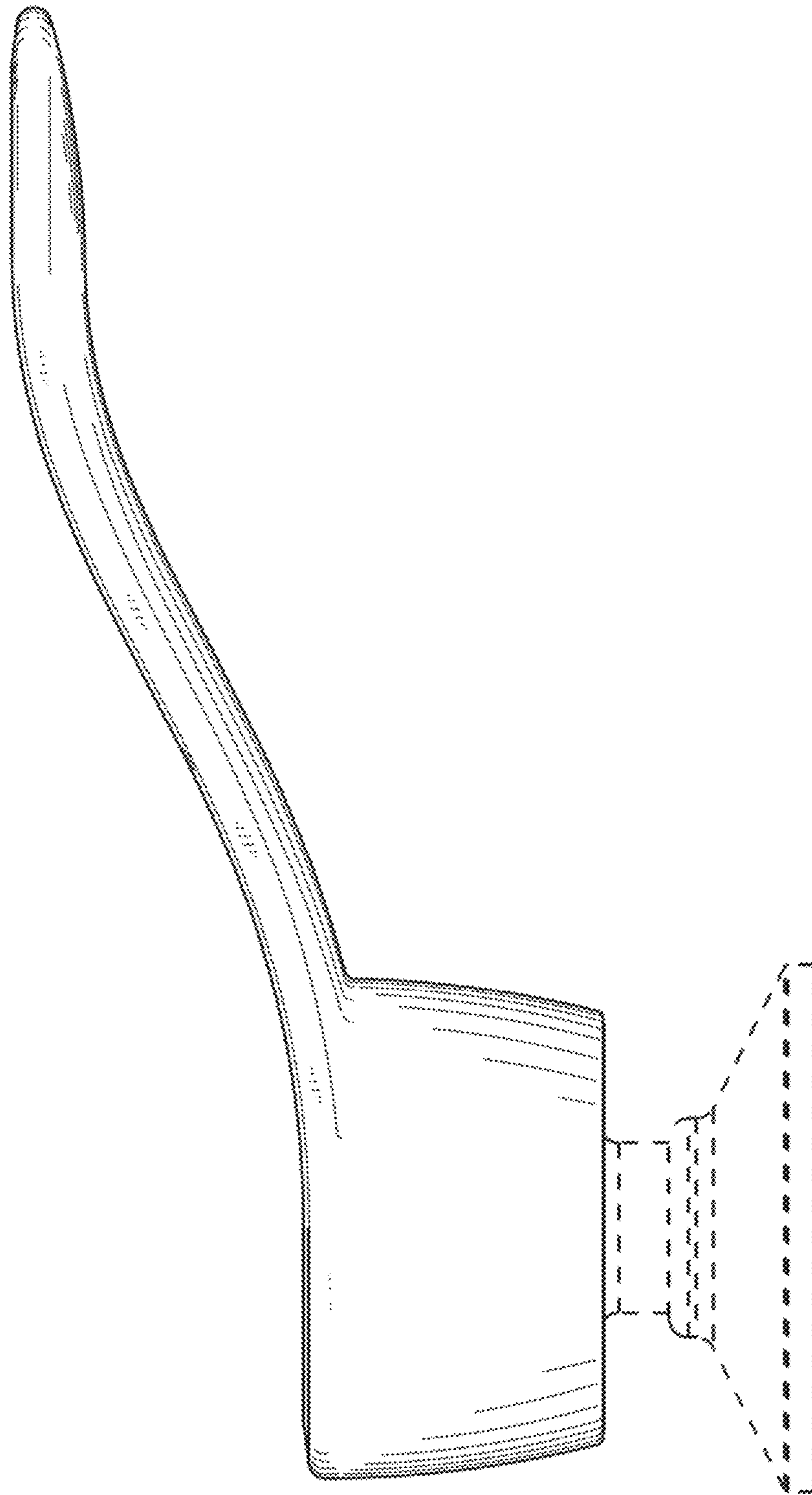


FIG. 4

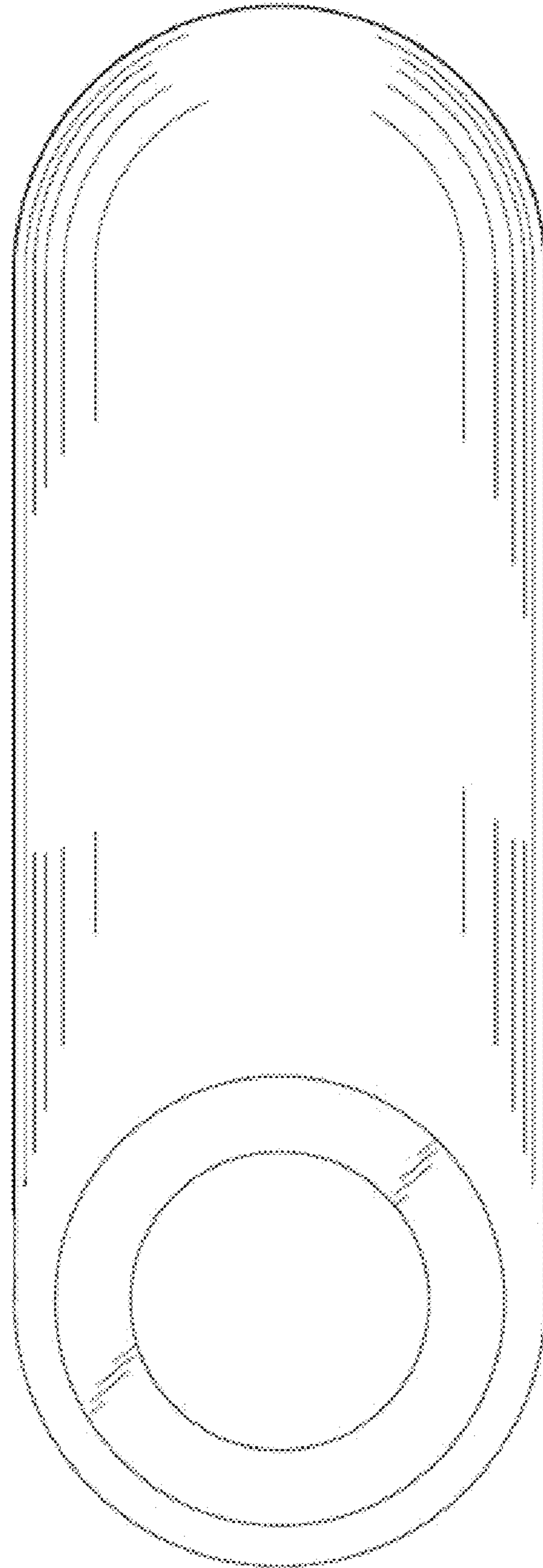


FIG. 5

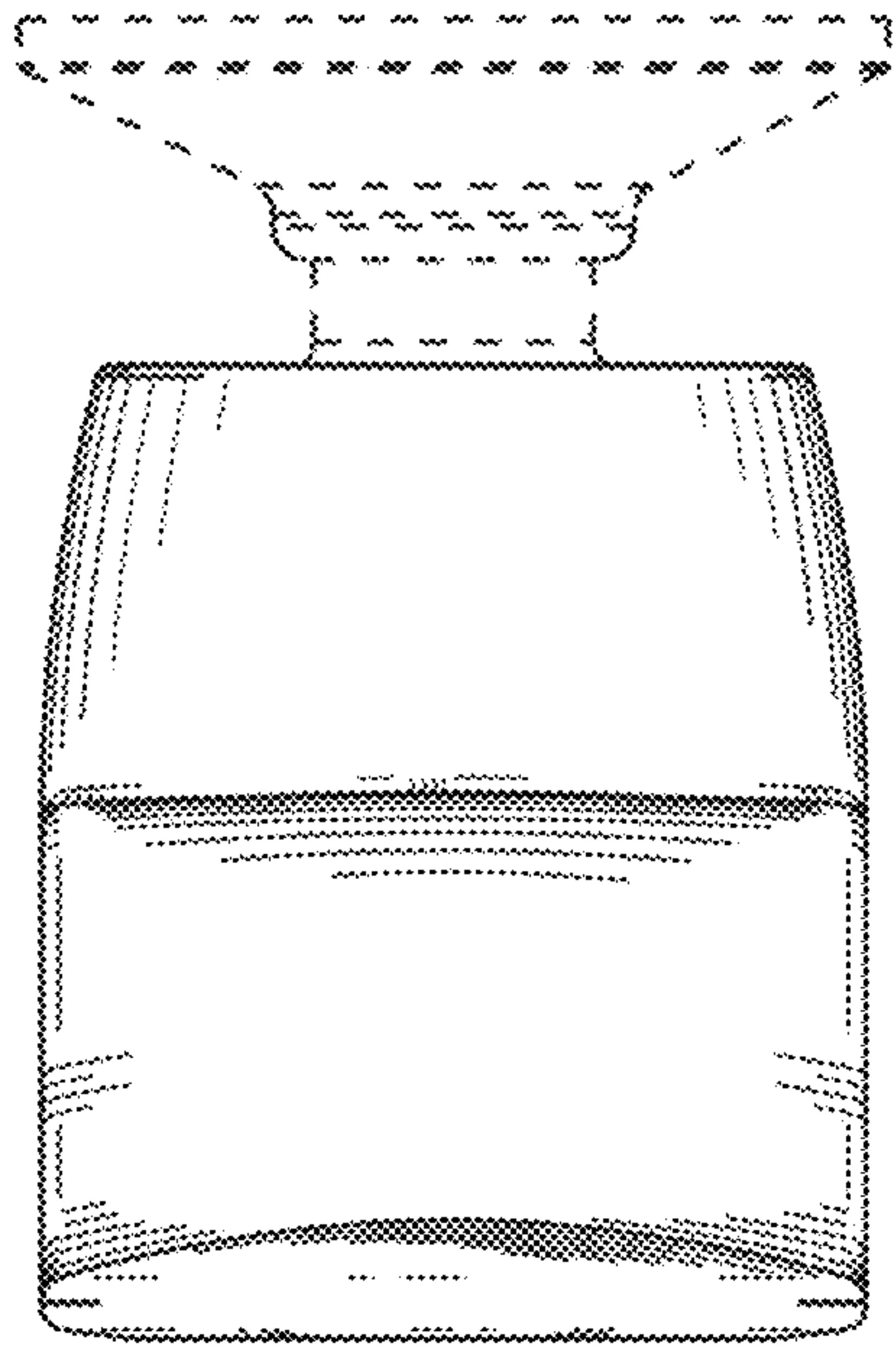


FIG. 6

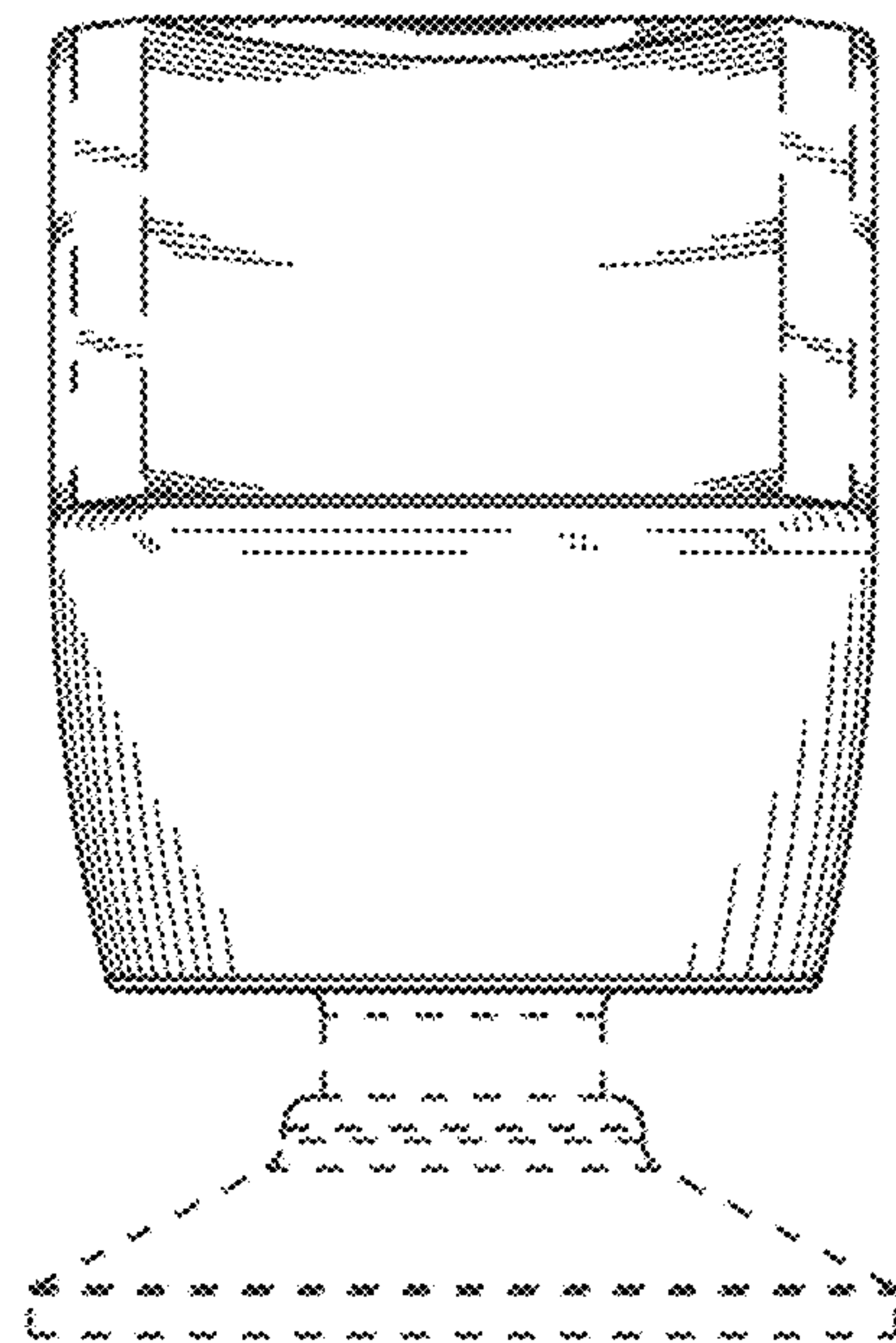


FIG. 7