



US00D794411S

(12) **United States Design Patent** (10) **Patent No.:** **US D794,411 S**  
**Le** (45) **Date of Patent:** **\*\* Aug. 15, 2017**

(54) **DEFEATER LATCH HANDLE WITH ESCUTCHEON**

D709,351 S \* 7/2014 Le ..... D8/331  
9,080,347 B2 \* 7/2015 Le ..... E05B 1/003  
D767,969 S \* 10/2016 Aispuro ..... D8/301  
D773,914 S \* 12/2016 Aispuro ..... D8/301

(71) Applicant: **S.P.E.P ACQUISITION CORP.**, Long Beach, CA (US)

(72) Inventor: **Tam Le**, Garden Grove, CA (US)

(73) Assignee: **S.P.E.P. ACQUISITION CORP.**, Long Beach, CA (US)

(\*\*) Term: **15 Years**

(21) Appl. No.: **29/559,264**

(22) Filed: **Mar. 25, 2016**

(51) **LOC (10) Cl.** ..... **08-06**

(52) **U.S. Cl.**  
USPC ..... **D8/302**

(58) **Field of Classification Search**  
USPC ..... D6/204; D8/302, 305; D11/116, 133, D11/203; D19/96; D26/7, 13, 15, 17, D26/31, 42  
CPC ..... E05B 1/00  
See application file for complete search history.

(56) **References Cited**

**U.S. PATENT DOCUMENTS**

D369,964 S \* 5/1996 Decursu ..... D8/302  
6,068,308 A \* 5/2000 Molzer ..... E05B 13/10  
292/336.3  
6,502,872 B1 \* 1/2003 Molzer ..... E05B 13/106  
292/336.3  
D492,571 S \* 7/2004 Linares ..... D8/308  
D521,846 S \* 5/2006 Toikka ..... D8/308  
D611,798 S \* 3/2010 Le ..... D8/331  
7,819,443 B2 \* 10/2010 Ryan ..... E05B 3/00  
292/336.3  
D692,112 S \* 10/2013 Le ..... D23/304  
D694,088 S \* 11/2013 Le ..... D8/308

**OTHER PUBLICATIONS**

Die Cast Zinc Deafeater L Handle Latches: Announced May 18, 2016 [online], site visited Jan. 26, 2017. Available from Internet URL: <http://www.spep.com/Handles/Defeater/3950SST-333.htm>.\*

\* cited by examiner

*Primary Examiner* — Caron D Veynar

*Assistant Examiner* — Melvin Davis

(74) *Attorney, Agent, or Firm* — Karish & Bjorgum, PC

(57) **CLAIM**

The ornamental design for a defeater latch handle with escutcheon, as shown and described.

**DESCRIPTION**

FIG. 1 is perspective view of the defeater latch handle with escutcheon showing my new design.

FIG. 2 is a right side view of the defeater latch handle with escutcheon of FIG. 1.

FIG. 3 is front view of the defeater latch handle with escutcheon of FIG. 1.

FIG. 4 is rear view of the defeater latch handle with escutcheon of FIG. 1.

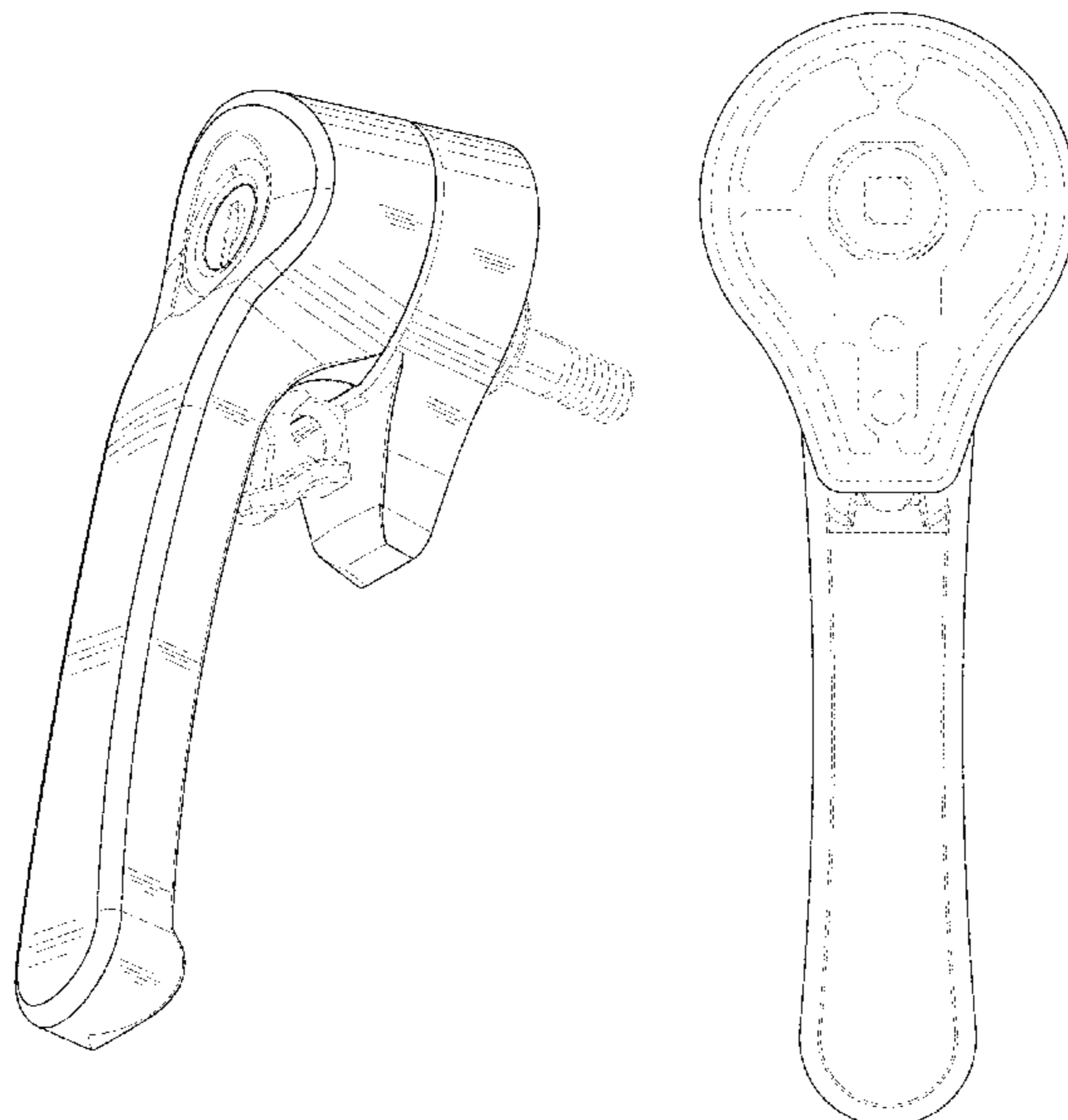
FIG. 5 is a top view of the defeater latch handle with escutcheon of FIG. 1; and,

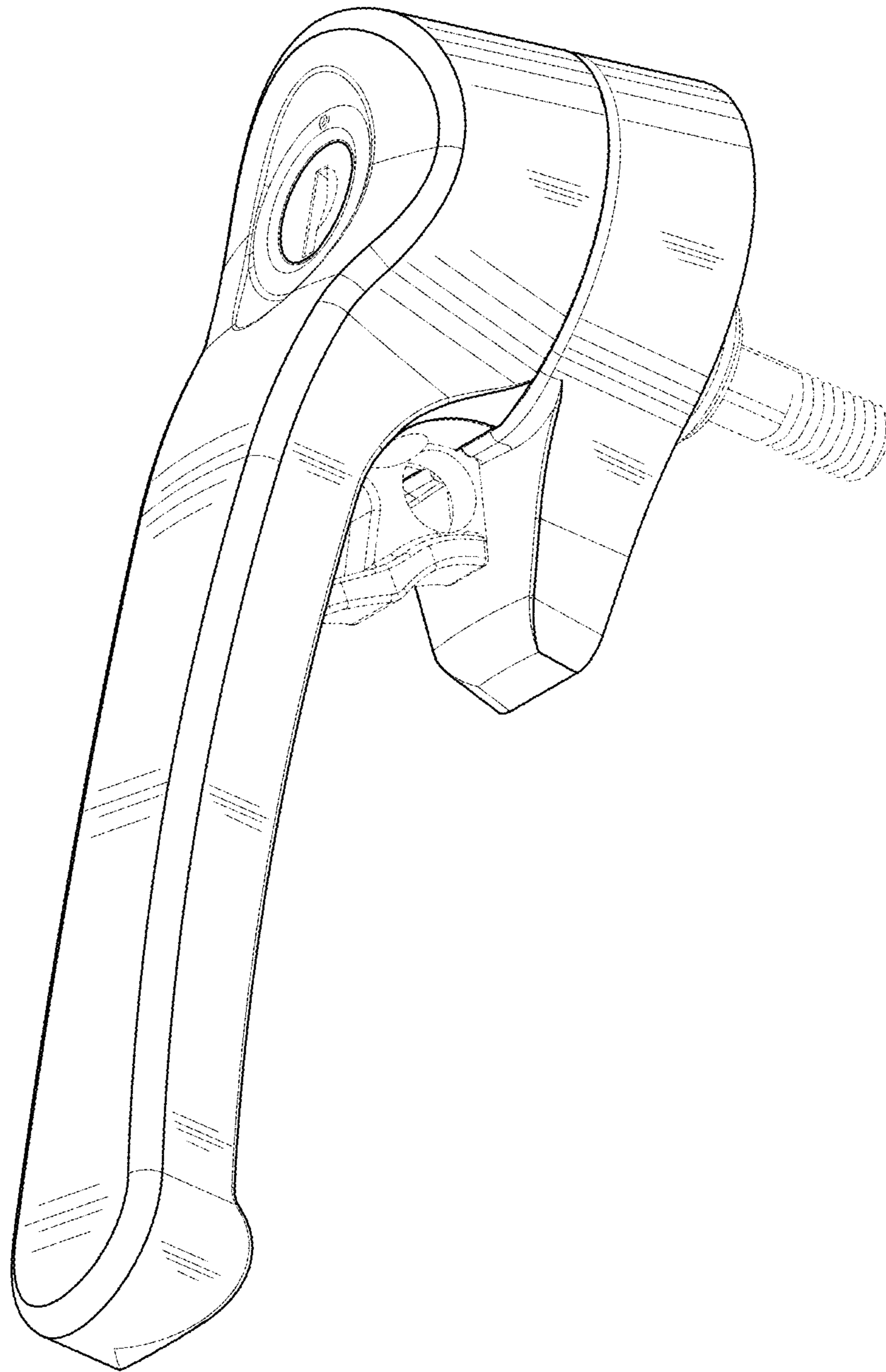
FIG. 6 is a bottom view of the defeater latch handle with escutcheon of FIG. 1.

The left side view of the defeater latch handle with escutcheon is a mirror image of the right side view of the defeater latch handle with escutcheon of FIG. 2.

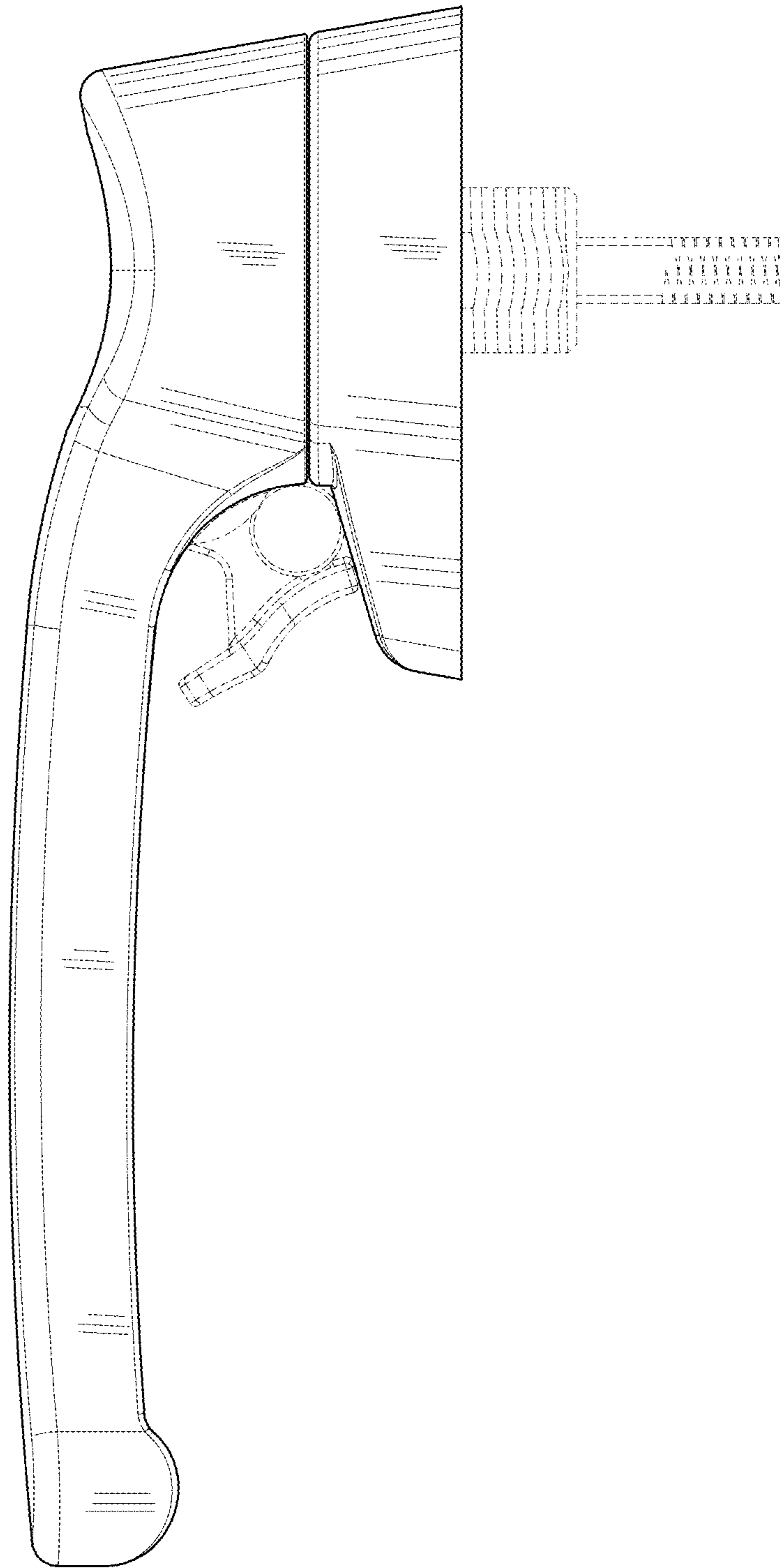
The broken lines are shown for purpose of illustrating parts of the article that form no part of the claim.

**1 Claim, 4 Drawing Sheets**

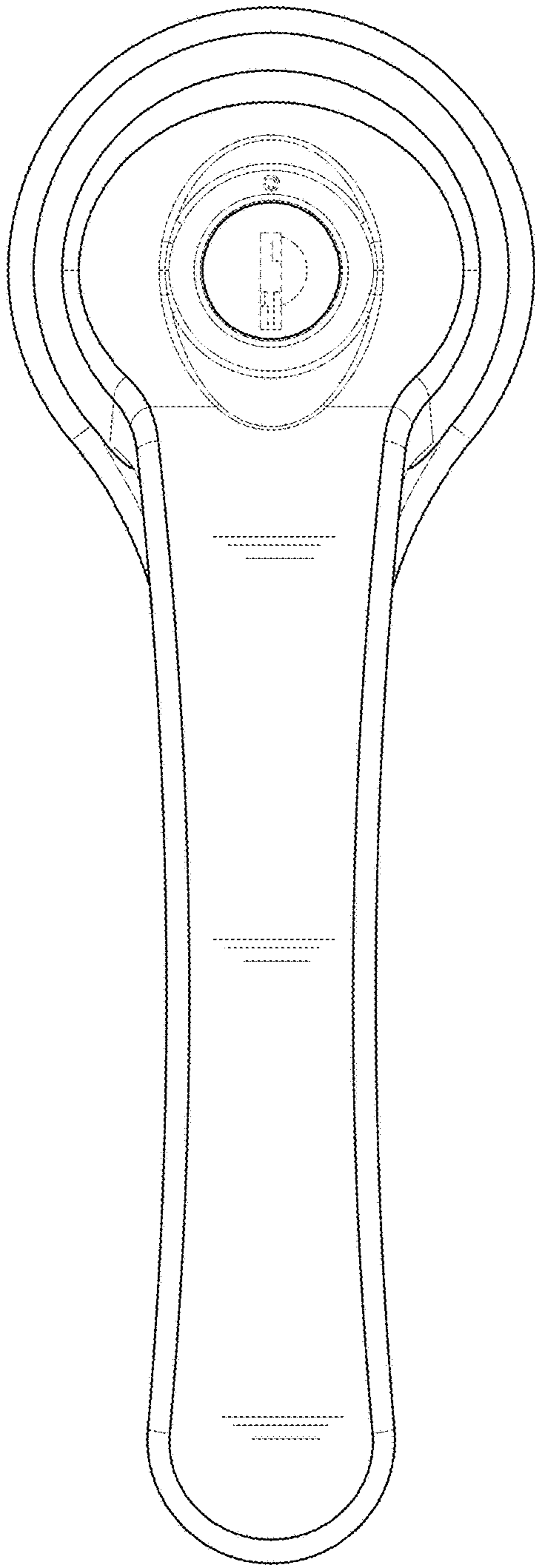




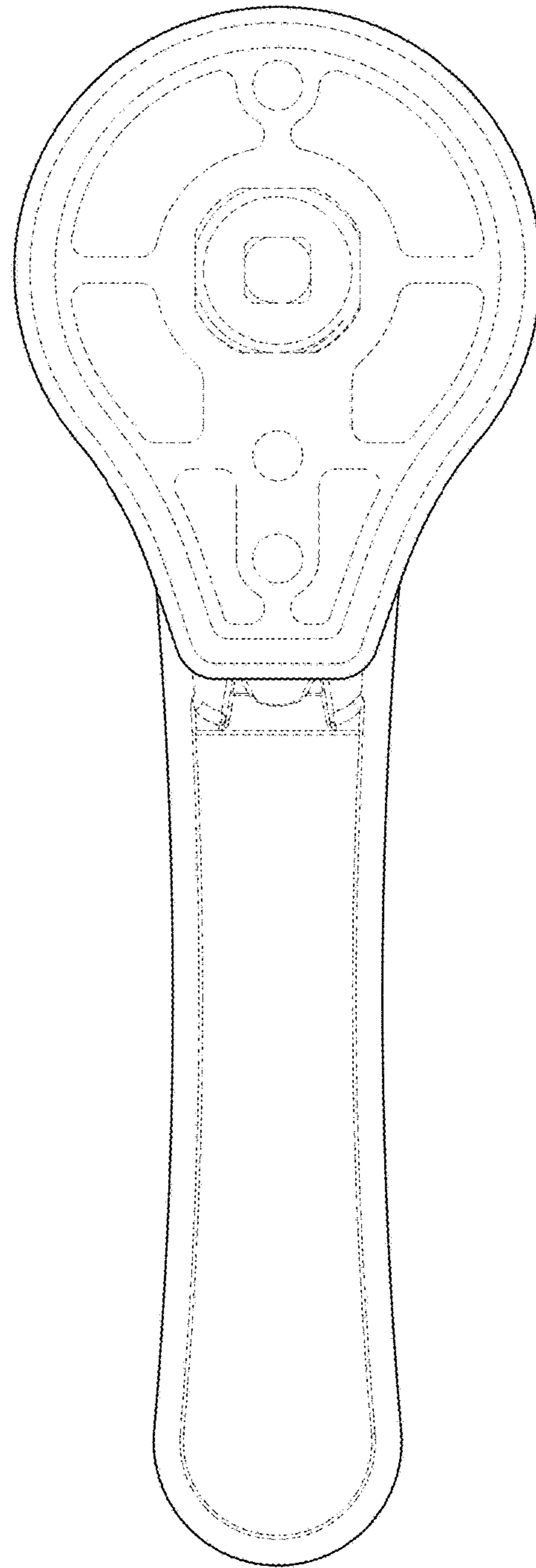
*FIG. 1*



*FIG. 2*

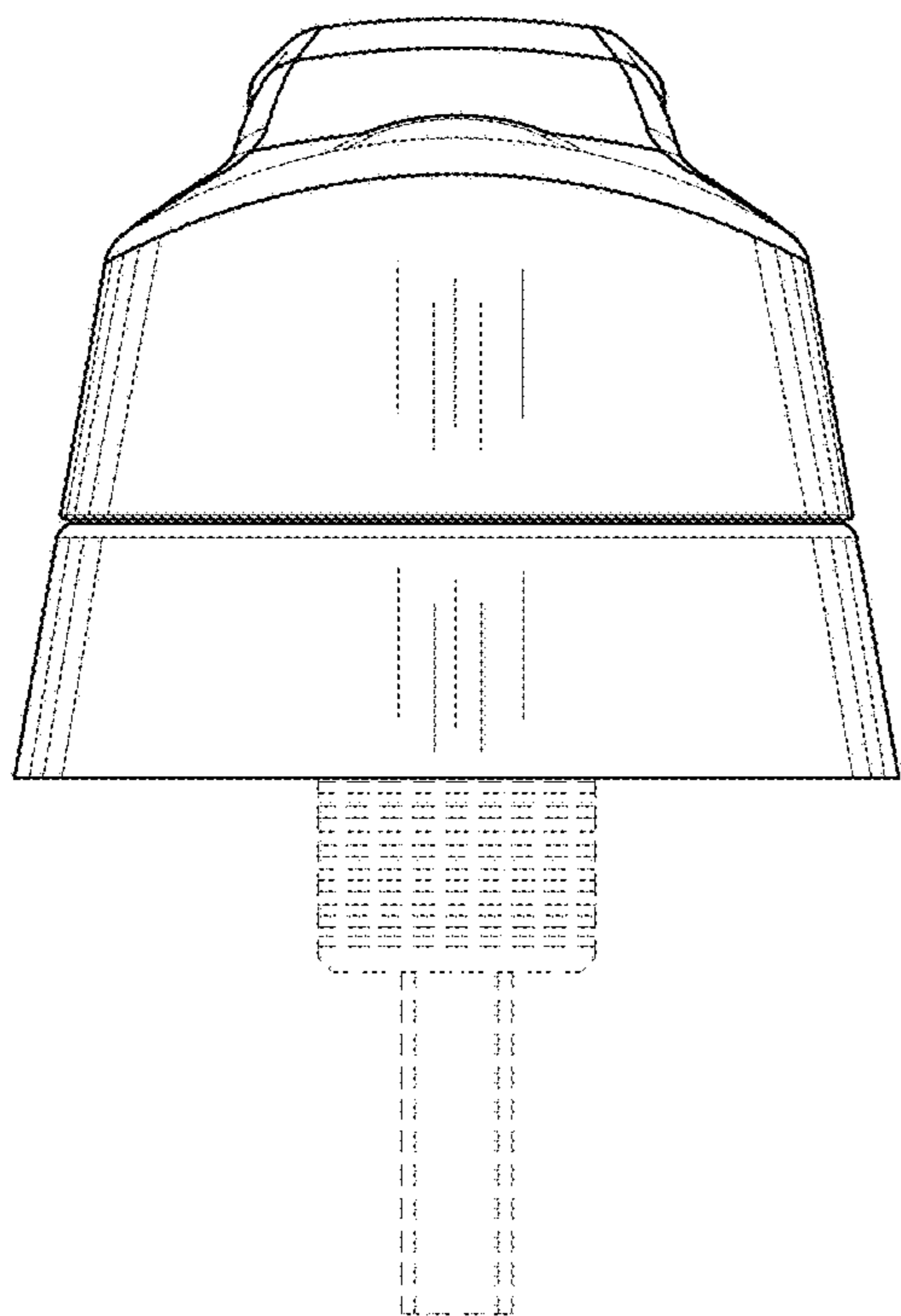


*FIG. 3*

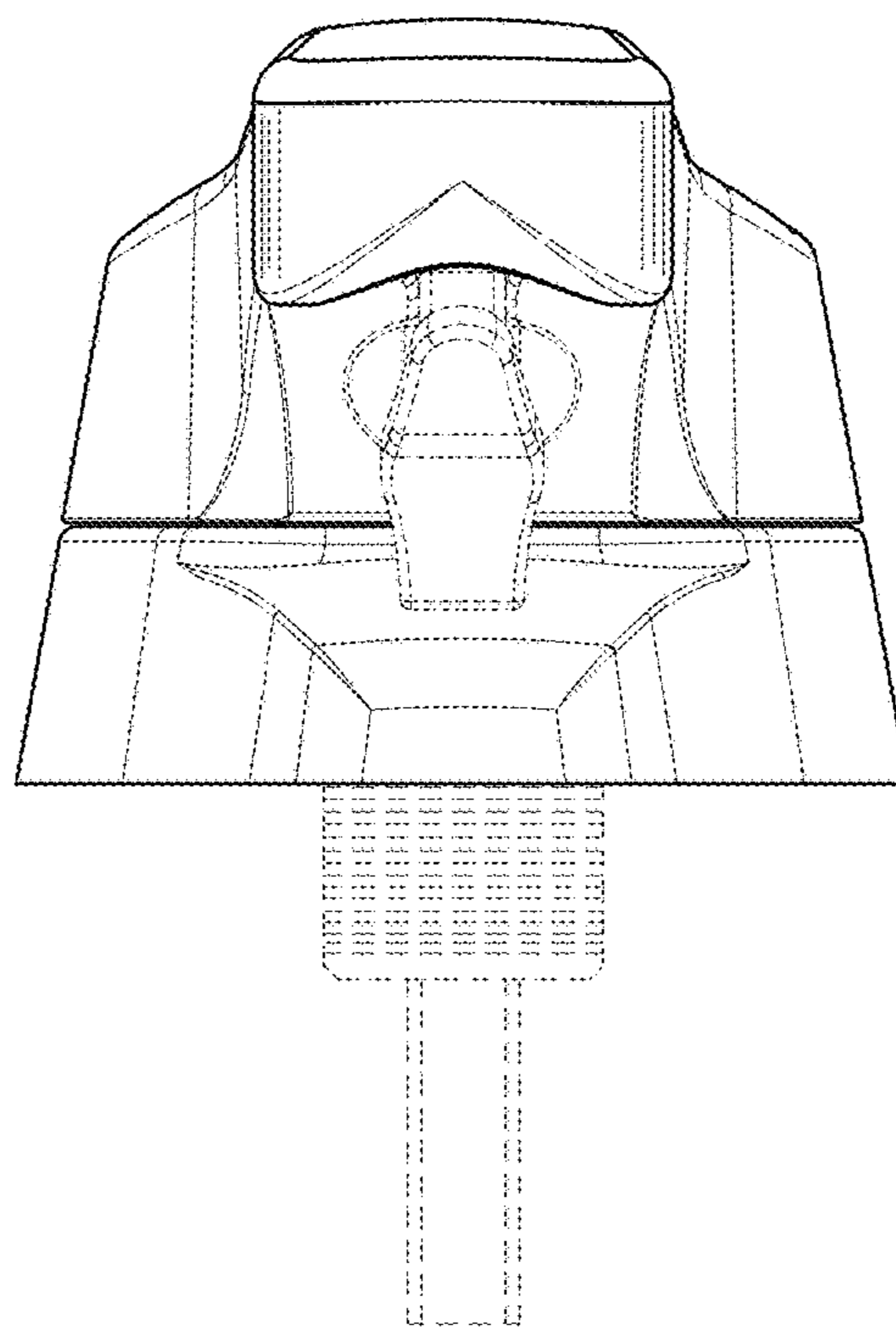


*FIG. 4*





*FIG. 5*



*FIG. 6*