



US00D794410S

(12) **United States Design Patent**  
**Wu**

(10) **Patent No.:** **US D794,410 S**

(45) **Date of Patent:** **\*\* Aug. 15, 2017**

(54) **KNIFE WITH BOTTLE OPENER**

(71) Applicant: **Arthur Wu**, North Hollywood, CA  
(US)

(72) Inventor: **Arthur Wu**, North Hollywood, CA  
(US)

(73) Assignee: **Arthur Wu**, North Hollywood, CA  
(US)

(\*\*) Term: **15 Years**

(21) Appl. No.: **29/561,631**

(22) Filed: **Apr. 18, 2016**

(51) **LOC (10) Cl.** ..... **08-03**

(52) **U.S. Cl.**

USPC ..... **D8/99**; D8/34

(58) **Field of Classification Search**

USPC ..... D8/98, 99, 100, 105, 107, 34; D22/118

CPC .... B26B 1/00; B26B 1/02; B26B 1/04; B26B

1/042; B26B 1/044; B26B 1/10; B26B

11/00; B26B 11/0001

See application file for complete search history.

(56) **References Cited**

**U.S. PATENT DOCUMENTS**

- 4,177,560 A \* 12/1979 Sakurai ..... B26B 1/04  
30/160
- D306,687 S \* 3/1990 Inman ..... D8/105
- D321,820 S \* 11/1991 Russell ..... D8/98
- D365,266 S \* 12/1995 Hasegawa ..... D8/99
- D367,599 S \* 3/1996 Sakai ..... D8/99

- D369,287 S \* 4/1996 Seber ..... D22/118
- D377,443 S \* 1/1997 Seber ..... D8/107
- D405,338 S \* 2/1999 Balolia ..... D27/195
- D407,004 S \* 3/1999 Hull ..... D8/99
- D419,851 S \* 2/2000 Cheng ..... D8/107

\* cited by examiner

*Primary Examiner* — Phillip S Hyder

(57) **CLAIM**

The ornamental design for a knife with bottle opener, as shown and described.

**DESCRIPTION**

FIG. 1 is a front, first side, top perspective view of a knife with bottle opener in an open configuration according to my design;

FIG. 2 is a front, second side, bottom perspective view thereof;

FIG. 3 is a first side view thereof;

FIG. 4 is a second side view thereof;

FIG. 5 is a front view thereof;

FIG. 6 is a back view thereof;

FIG. 7 is a top view thereof;

FIG. 8 is a bottom view thereof;

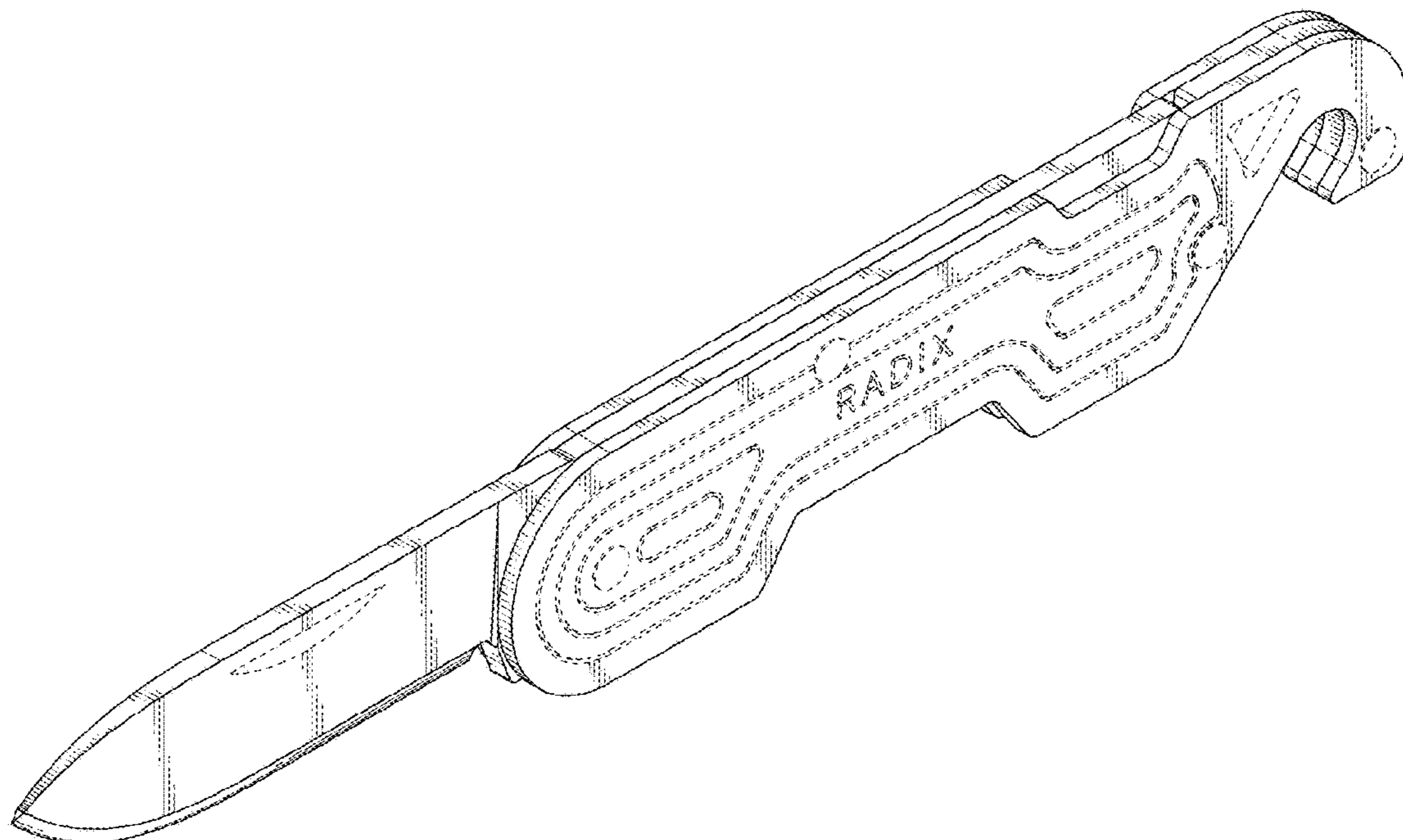
FIG. 9 is a front, first side, top perspective view of a knife with bottle opener in a closed configuration; and,

FIG. 10 is a front, second side, bottom perspective view of a knife with bottle opener in a closed configuration.

The broken lines depict portions of the knife with bottle opener in which the design is embodied that are not considered part of the claimed design.

In an embodiment, the nature of this product is a knife with bottle opener that can take the form is a knife, bottle opener, keychain, aperture for receiving a keychain, and systems and devices thereof.

**1 Claim, 8 Drawing Sheets**



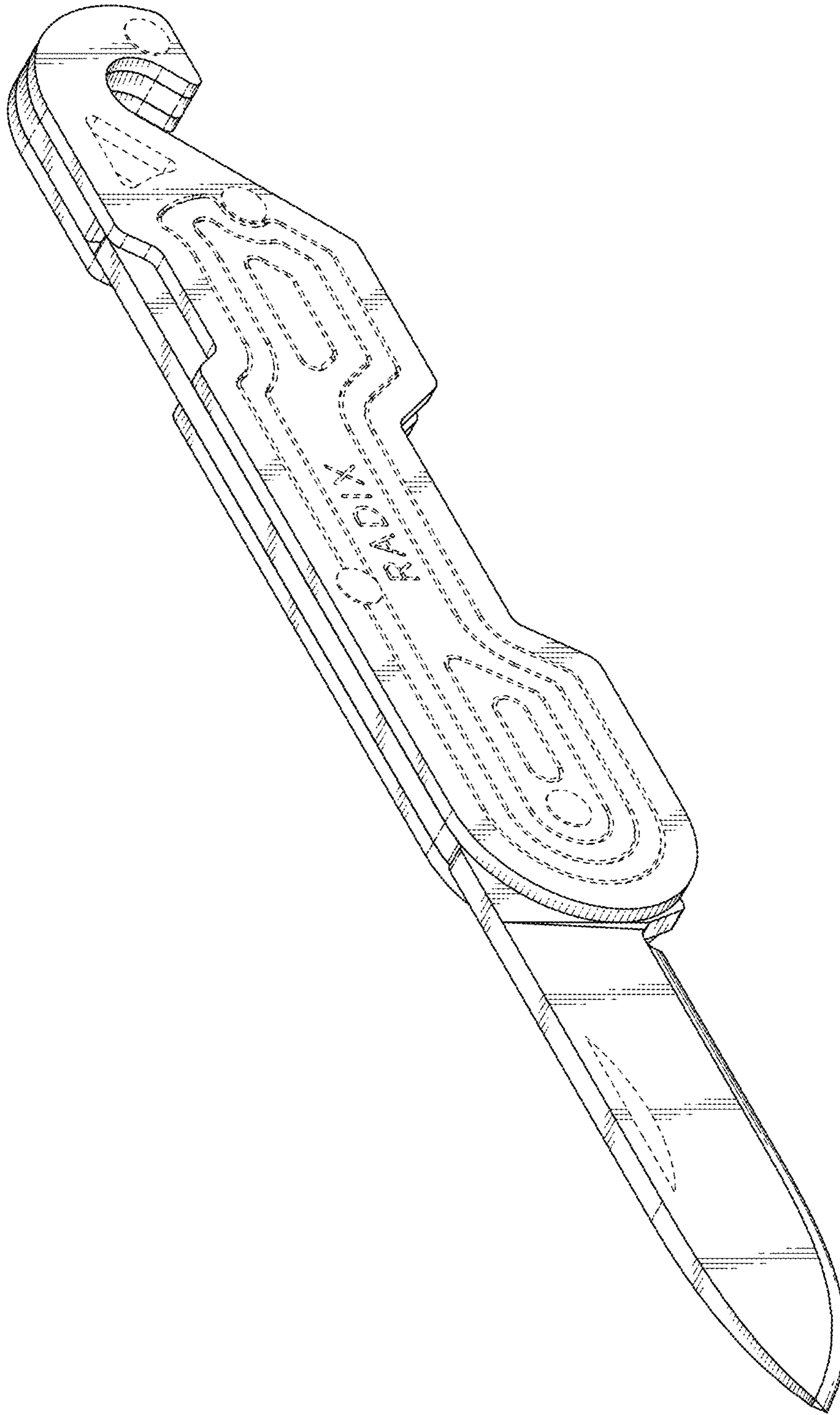


FIG. 1

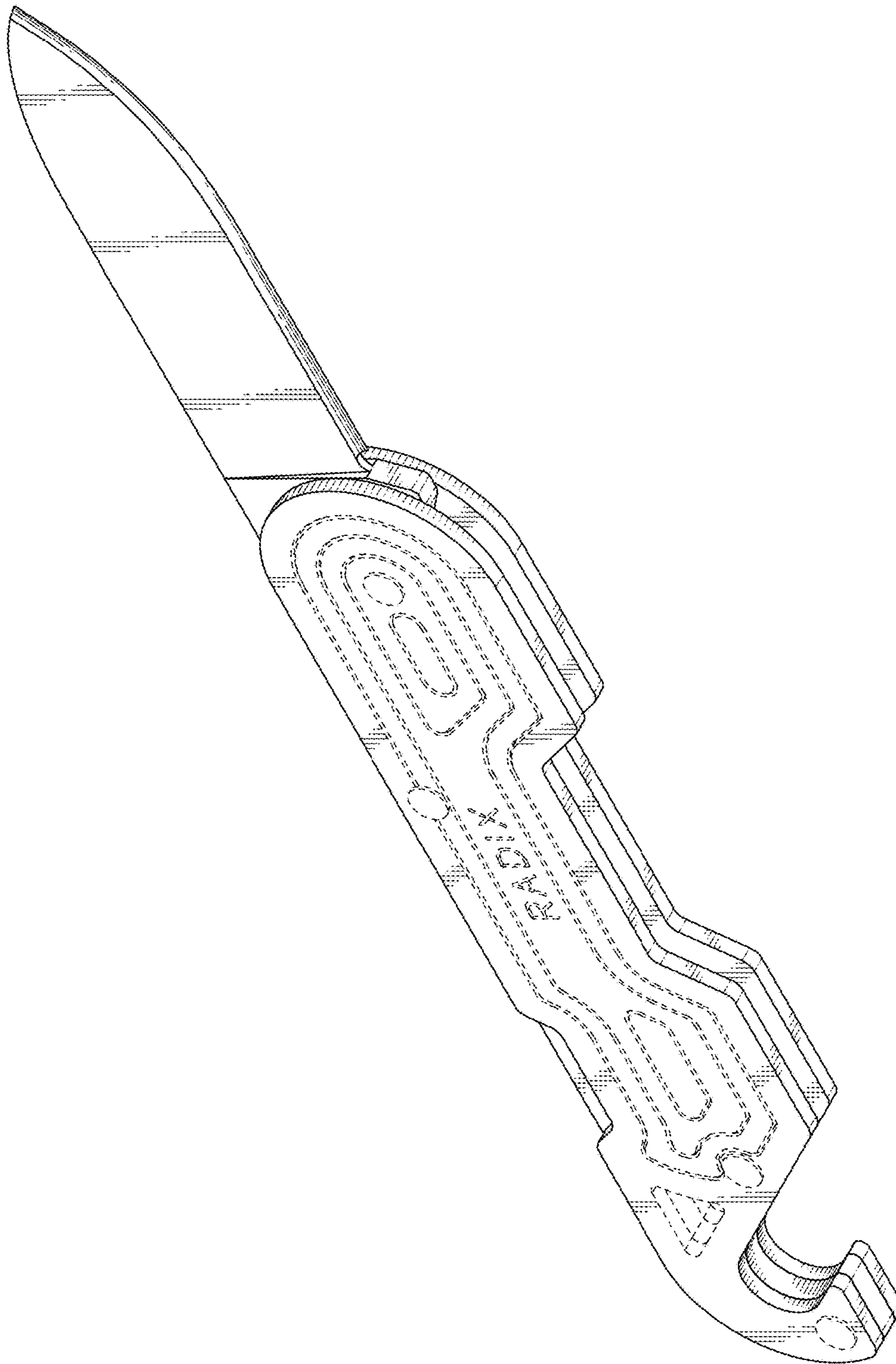


FIG. 2

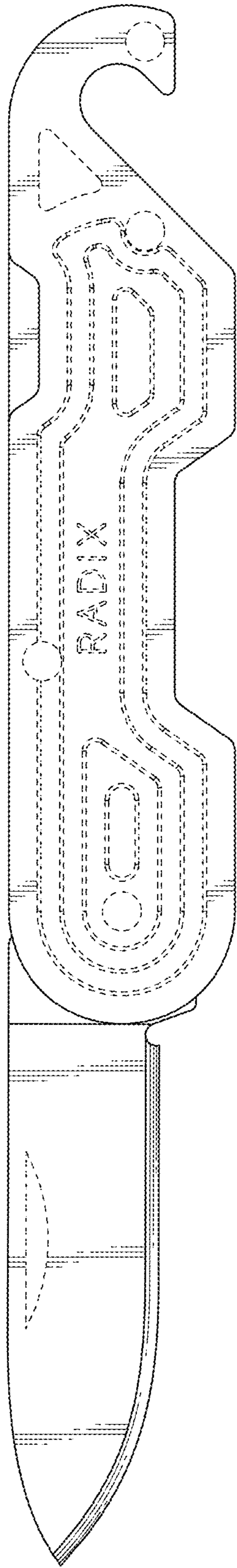


FIG. 3

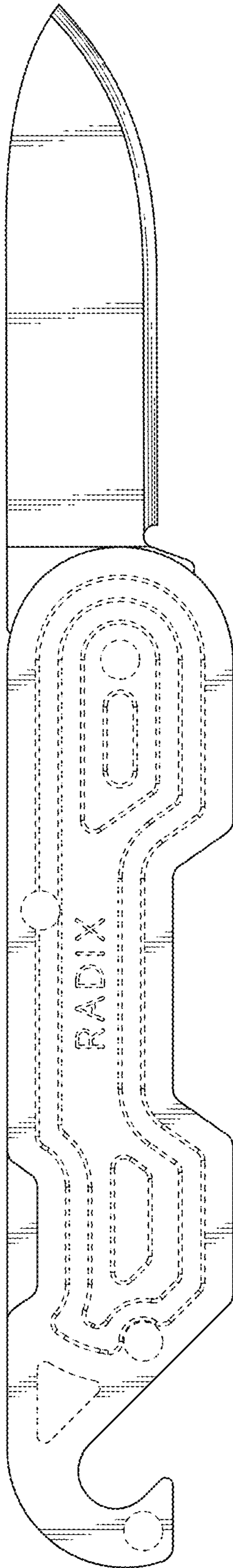


FIG. 4

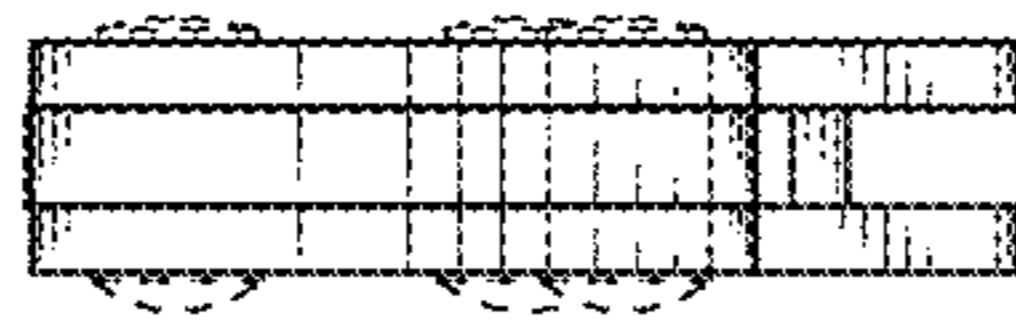


FIG. 6



FIG. 5

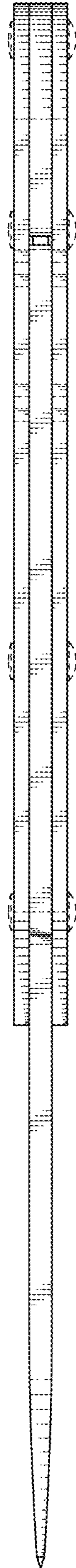


FIG. 7

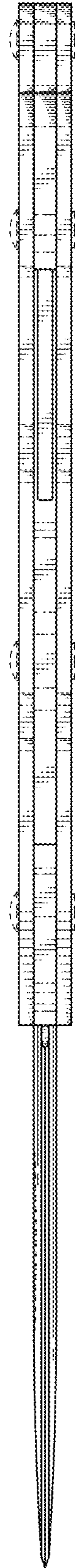


FIG. 8

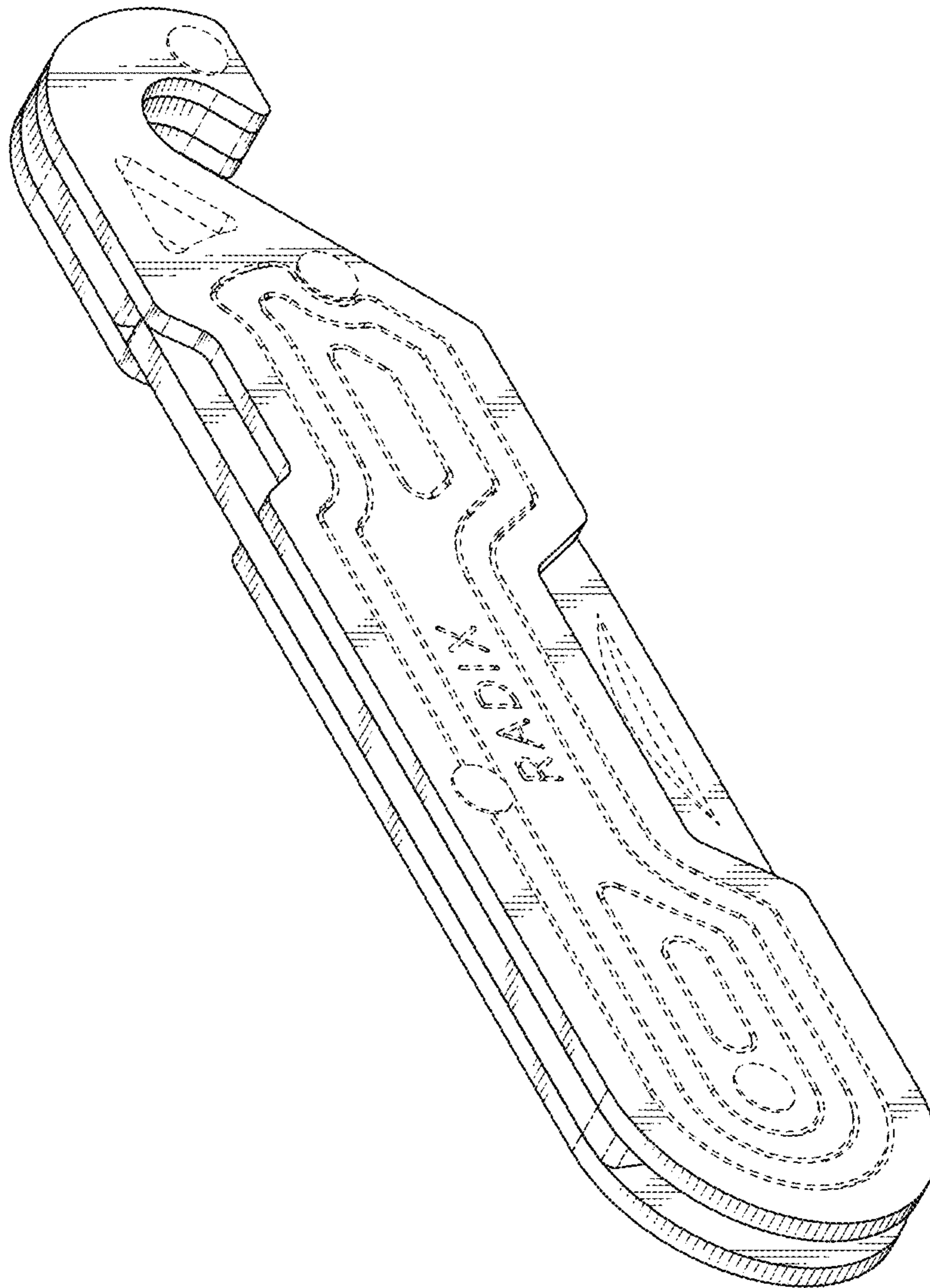


FIG. 9



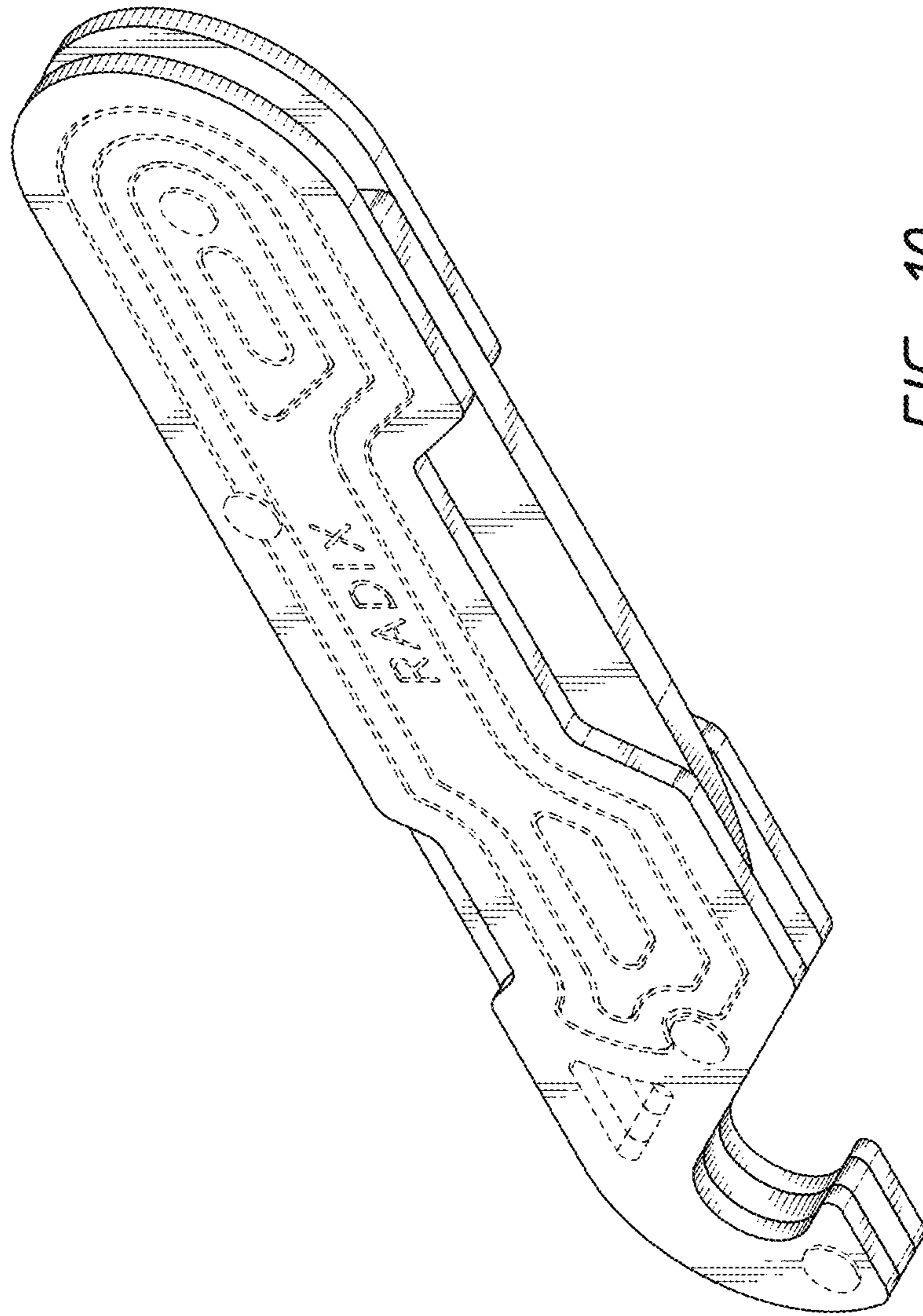


FIG. 10