



US00D794408S

(12) **United States Design Patent** (10) **Patent No.:** **US D794,408 S**  
**Colasse** (45) **Date of Patent:** **\*\* Aug. 15, 2017**

(54) **GLASS-BREAKING HAMMER**

(71) Applicant: **Laurent Colasse**, Santa Barbara, CA (US)

(72) Inventor: **Laurent Colasse**, Santa Barbara, CA (US)

(\*\*) Term: **14 Years**

(21) Appl. No.: **29/523,499**

(22) Filed: **Apr. 10, 2015**

(51) **LOC (10) Cl.** ..... **08-02**

(52) **U.S. Cl.**  
USPC ..... **D8/81**

(58) **Field of Classification Search**  
USPC ..... D8/14, 47, 75-81, 95, 105, 107;  
7/143-147; 81/20-24; 254/26 R  
CPC ..... A62B 3/005; B24D 15/06; B25D 1/00;  
B25D 1/02; B25F 1/04  
See application file for complete search history.

(56) **References Cited**

**U.S. PATENT DOCUMENTS**

D254,243 S \* 2/1980 Florian ..... 30/294  
D290,334 S \* 6/1987 Reynolds, Jr. .... D32/48  
4,882,956 A 11/1989 Lang  
5,251,351 A 10/1993 Klotz  
5,642,567 A \* 7/1997 Lin ..... A62B 3/005  
30/366  
D385,771 S \* 11/1997 Chiang ..... D8/105  
5,903,942 A \* 5/1999 Hasegawa ..... A62B 3/005  
30/158  
D413,781 S \* 9/1999 Wong ..... D8/105  
5,952,916 A \* 9/1999 Yamabe ..... B25D 1/00  
340/321  
5,967,444 A \* 10/1999 Poffo ..... B25D 1/00  
200/300  
D417,130 S \* 11/1999 Hollinger ..... D8/105  
D420,269 S \* 2/2000 Ben-Moshe ..... D8/105

D459,190 S \* 6/2002 Chen ..... D26/38  
6,453,564 B1 \* 9/2002 Foley ..... A62B 3/005  
30/157  
6,454,430 B1 \* 9/2002 Lin ..... A62B 3/005  
362/109  
D470,030 S \* 2/2003 Swier ..... D8/98  
D472,444 S \* 4/2003 Gesheit ..... D8/105  
6,574,816 B2 6/2003 Yu Chen  
6,782,576 B1 \* 8/2004 Valencic ..... B24D 15/06  
7/158  
D498,401 S \* 11/2004 Lin ..... D8/105  
D499,003 S \* 11/2004 Chiang ..... D8/81  
D515,902 S \* 2/2006 Kim ..... D8/105  
D520,840 S \* 5/2006 Bhavnani ..... D14/168  
7,051,391 B2 5/2006 Wang  
D577,562 S \* 9/2008 Lin ..... D8/105  
D595,105 S \* 6/2009 White ..... D8/105  
D642,444 S \* 8/2011 Kommer ..... D8/105  
D699,542 S \* 2/2014 Rubin ..... D8/105  
D707,097 S \* 6/2014 Kao ..... D29/124

(Continued)

*Primary Examiner* — Philip S Hyder  
*Assistant Examiner* — Roselyne Cody  
(74) *Attorney, Agent, or Firm* — Guy Cumberbatch

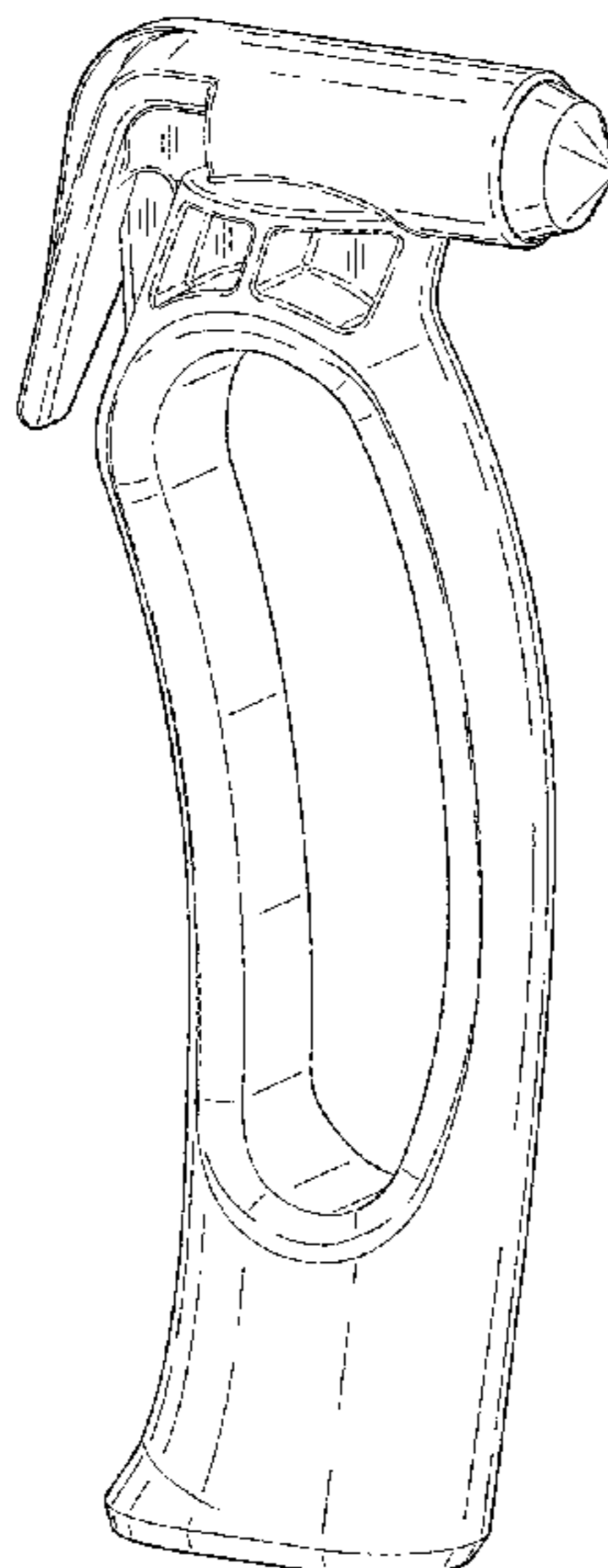
(57) **CLAIM**

I claim the ornamental design for a glass-breaking hammer, as shown and described.

**DESCRIPTION**

FIG. 1 is a frontal perspective view of a glass-breaking hammer of the present application;  
FIG. 2 is a rear perspective view of a glass-breaking hammer of the present application;  
FIG. 3 is a left side view of the glass-breaking hammer, the right side view being identical;  
FIG. 4 is a front view of the glass-breaking hammer;  
FIG. 5 is a rear view of the glass-breaking hammer;  
FIG. 6 is a top view of the glass-breaking hammer; and,  
FIG. 7 is a bottom view of the glass-breaking hammer.

**1 Claim, 4 Drawing Sheets**



(56)

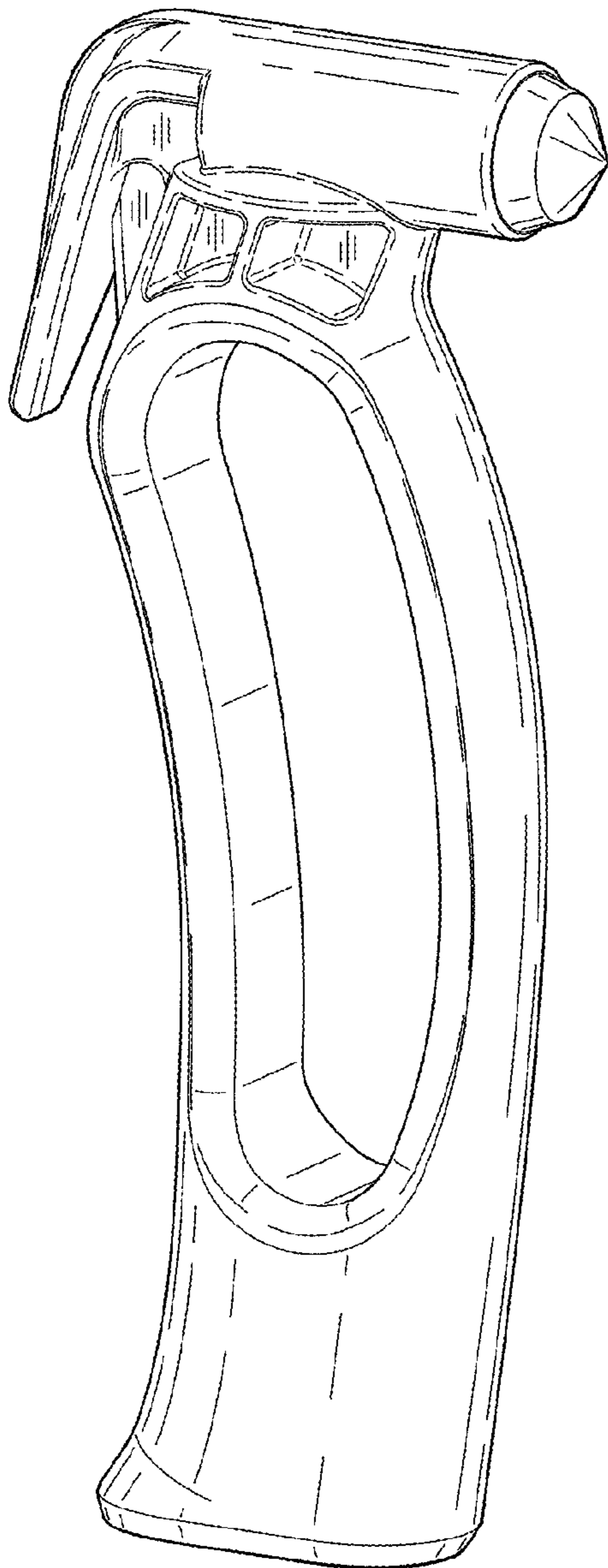
**References Cited**

U.S. PATENT DOCUMENTS

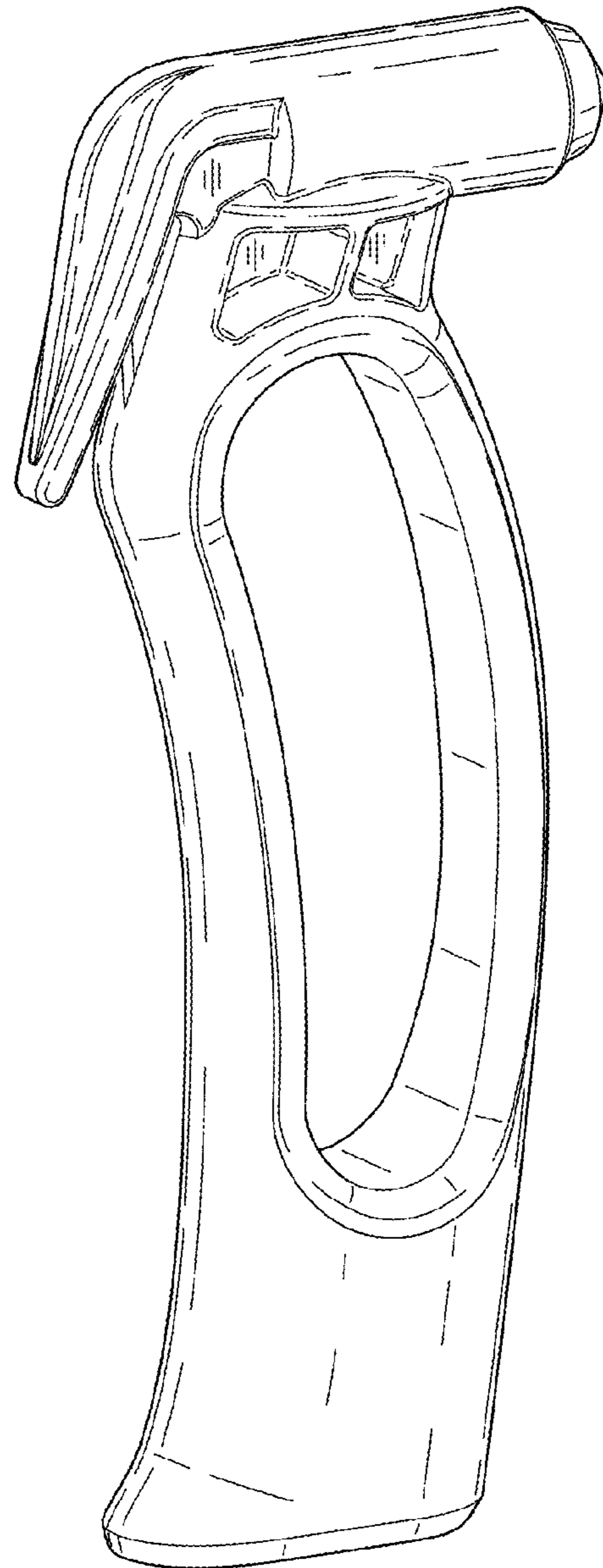
D714,123	S *	9/2014	Hicks	.....	D8/105
D724,408	S *	3/2015	Hicks	.....	D8/105
D738,699	S *	9/2015	Hicks	.....	D8/105
2004/0040094	A1 *	3/2004	Lin	.....	B25F 1/04 7/144
2005/0102760	A1 *	5/2005	Hayhurst	.....	B25D 1/00 7/144
2006/0064822	A1 *	3/2006	Wang	.....	A62B 3/005 7/144
2009/0094843	A1 *	4/2009	Brannam	.....	A62B 3/005 30/366
2015/0059529	A1 *	3/2015	Franken	.....	B25D 1/02 81/25

\* cited by examiner

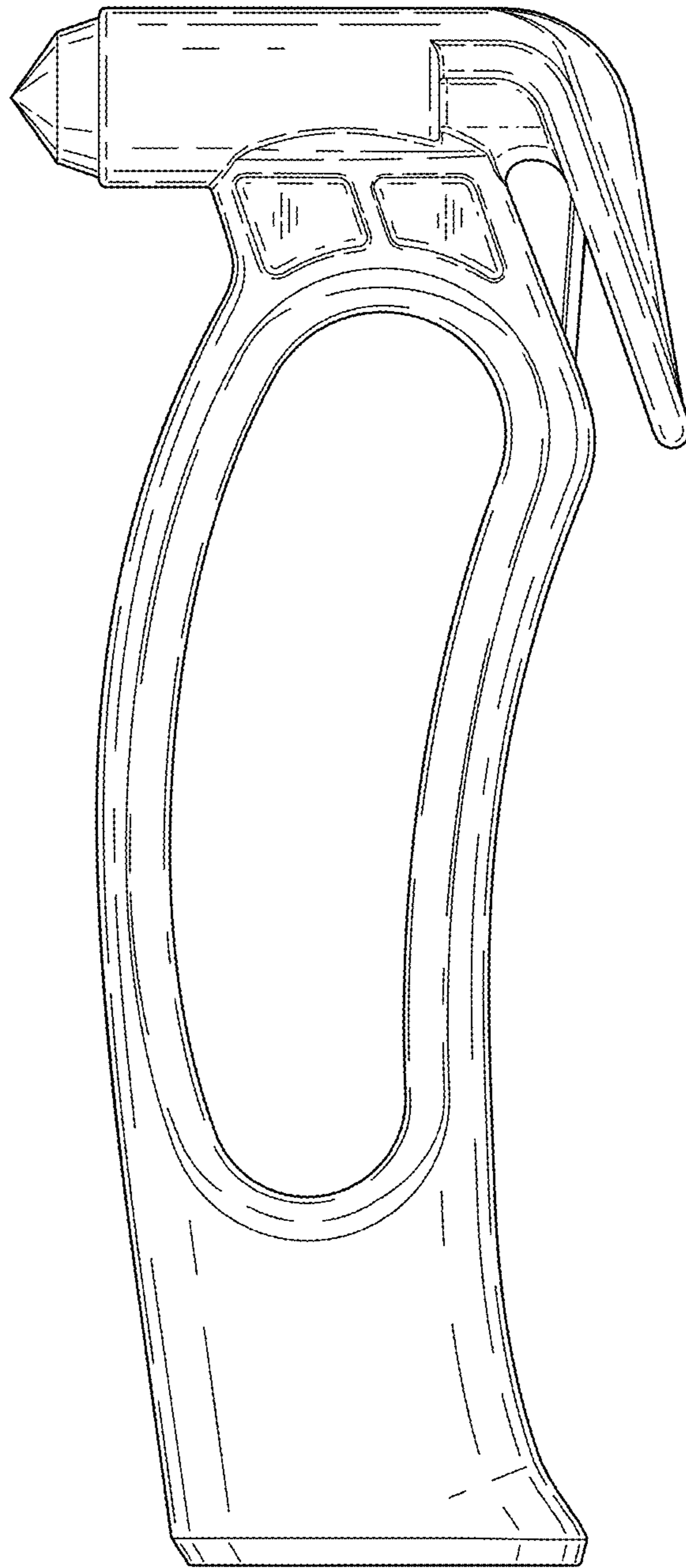
*Fig. 1*



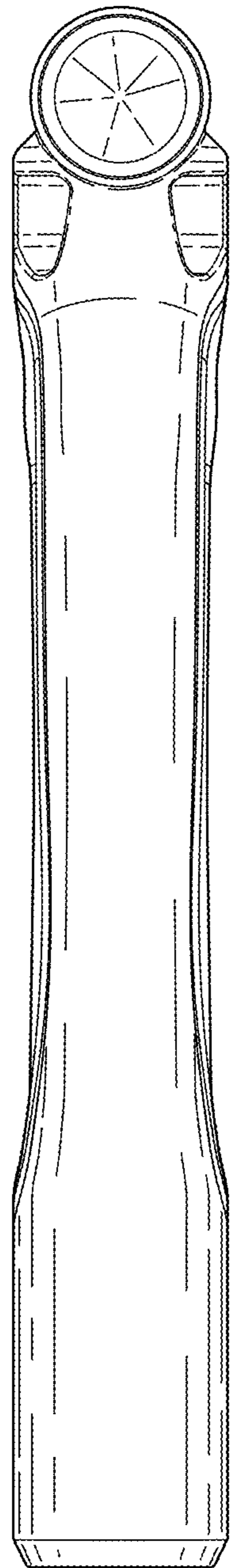
*Fig. 2*



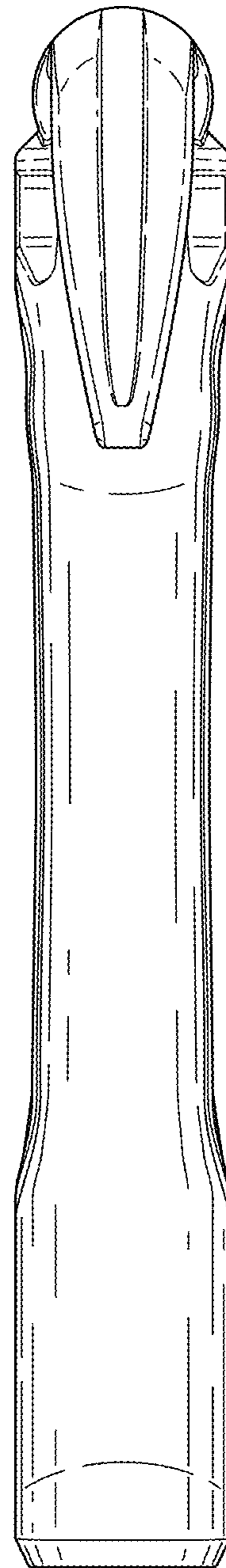
*Fig. 3*



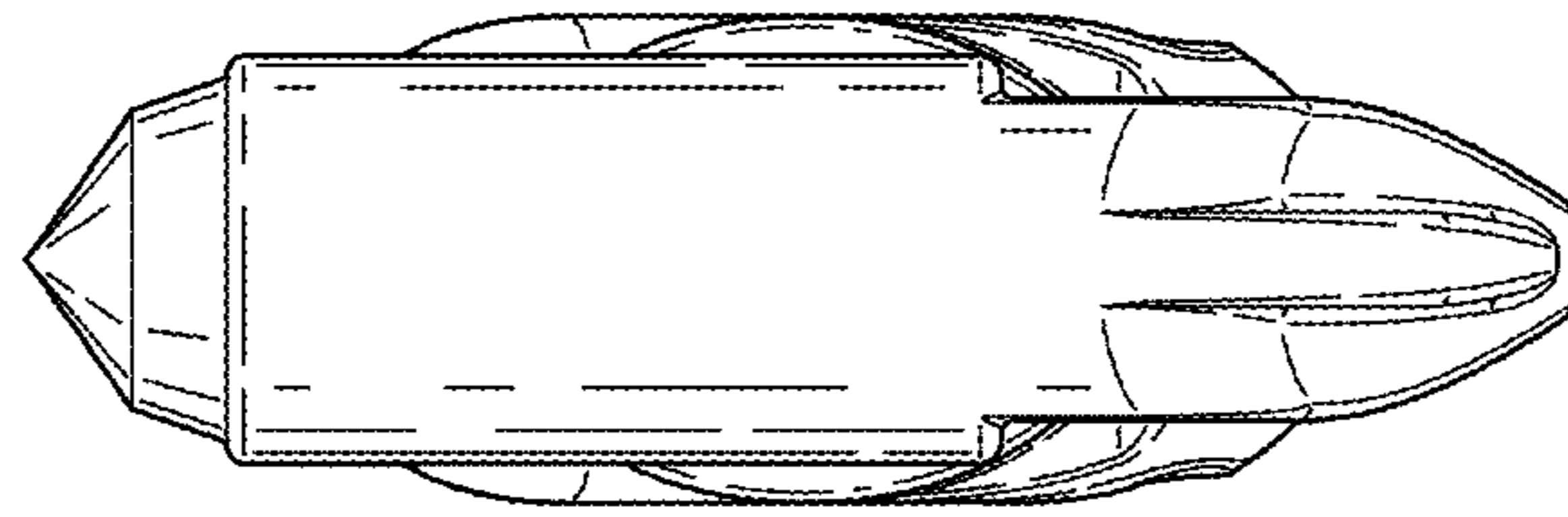
*Fig. 4*



*Fig. 5*



*Fig. 6*



*Fig. 7*

