



US00D794405S

(12) **United States Design Patent** (10) **Patent No.:** **US D794,405 S**
Doroslovac et al. (45) **Date of Patent:** **** Aug. 15, 2017**

(54) **SOCKET PROFILE**

(71) Applicants: **Robert S Doroslovac**, Massilon, OH (US); **Paul Kukucka**, Brandon, FL (US); **Thomas Stefan Kukucka**, Brandon, FL (US)

(72) Inventors: **Robert S Doroslovac**, Massilon, OH (US); **Paul Kukucka**, Brandon, FL (US); **Thomas Stefan Kukucka**, Brandon, FL (US)

(73) Assignee: **GRIP TOOLING TECHNOLOGIES LLC**, Brandon, FL (US)

(**) Term: **15 Years**

(21) Appl. No.: **29/566,336**

(22) Filed: **May 27, 2016**

Related U.S. Application Data

(63) Continuation-in-part of application No. 29/543,768, filed on Oct. 28, 2015, now Pat. No. Des. 776,505, and a continuation-in-part of application No. 29/546,845, filed on Nov. 25, 2015, now abandoned, and a continuation-in-part of application No. 29/546,846, filed on Nov. 25, 2015, now abandoned, and a continuation-in-part of application No. 29/551,895, filed on Jan. 18, 2016, and a continuation-in-part of application No. 29/564,310, filed on May 12, 2016, and a continuation-in-part of application No. 29/566,305, filed on May 27, 2016, and a continuation-in-part of application No. 29/566,311, filed on May 27, 2016.

(51) **LOC (10) Cl.** **08-05**

(52) **U.S. Cl.**
USPC **D8/29**

(58) **Field of Classification Search**

USPC D8/29; 81/60, 177.1, 177.85, 121.1, 81/124.3, 165-170, 110.1, 176.2, 124.6, 81/176.1, 176.15, 177.2, 186; 16/110.1
CPC B25B 13/06; B25B 13/065
See application file for complete search history.

(56) **References Cited**

U.S. PATENT DOCUMENTS

6,098,501 A *	8/2000	Sundstrom	B25B 13/04	81/119
D524,615 S *	7/2006	Albertson	D8/29	
D526,172 S *	8/2006	Lin	D8/29	
D570,657 S *	6/2008	Hsieh	D8/29	
8,869,660 B2 *	10/2014	Hsieh	B25B 13/04	81/119
D745,813 S *	12/2015	Hsieh	D8/29	
D749,388 S *	2/2016	Lee	D8/29	
D751,363 S *	3/2016	Chang	D8/29	

* cited by examiner

Primary Examiner — Randall Gholson

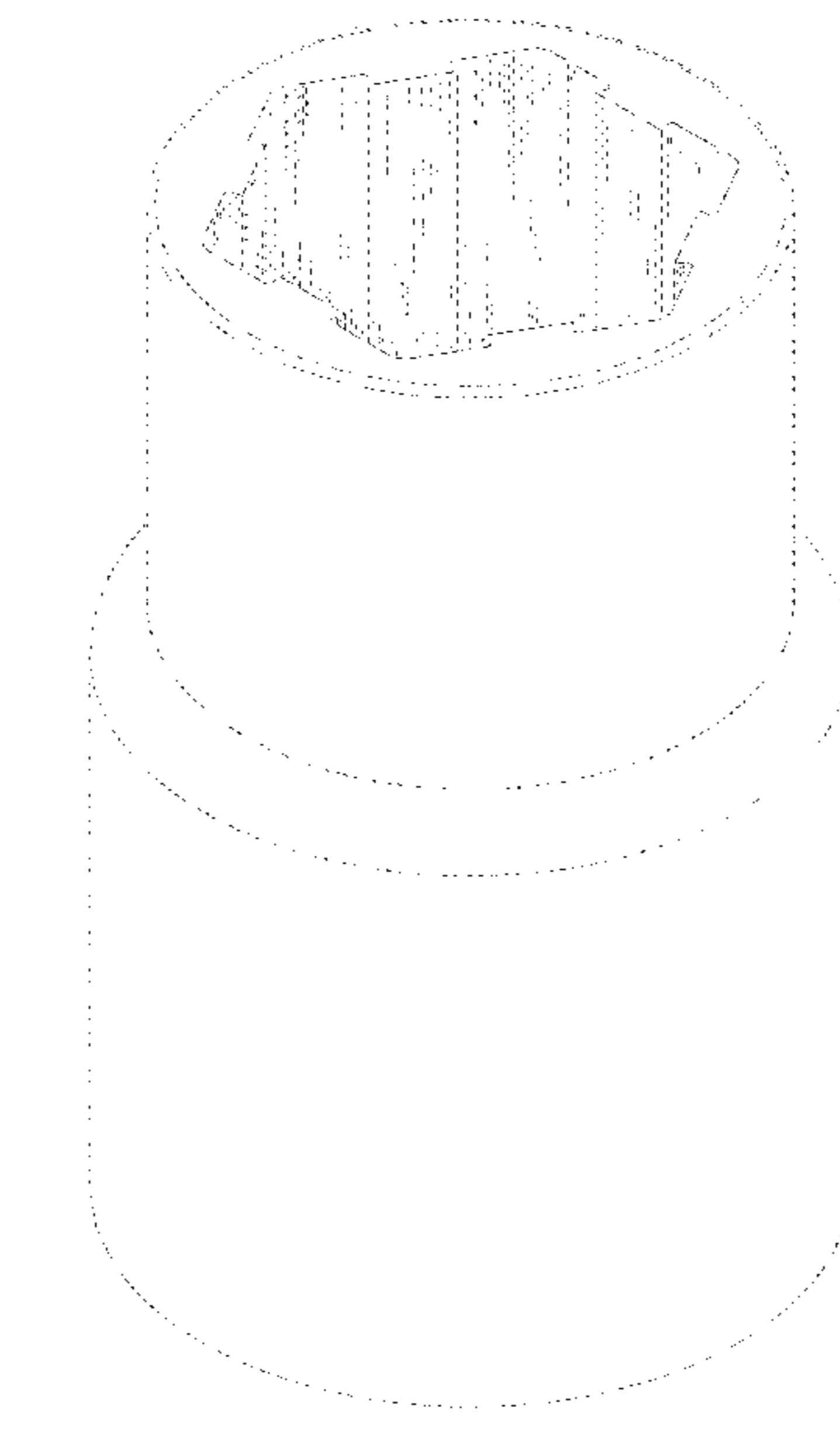
(57) **CLAIM**

The ornamental design for a socket profile, as shown and described.

DESCRIPTION

FIG. 1 is a perspective view of a socket profile; FIG. 2 is a top elevational view thereof; FIG. 3 is a sectional-cut view taken about line A-A in FIG. 2; and, FIG. 4 is a sectional-cut view taken about line B-B in FIG. 2. The broken line showing a socket body is included for the purpose of illustrating environmental structure and forms no part of the claimed design.

1 Claim, 4 Drawing Sheets



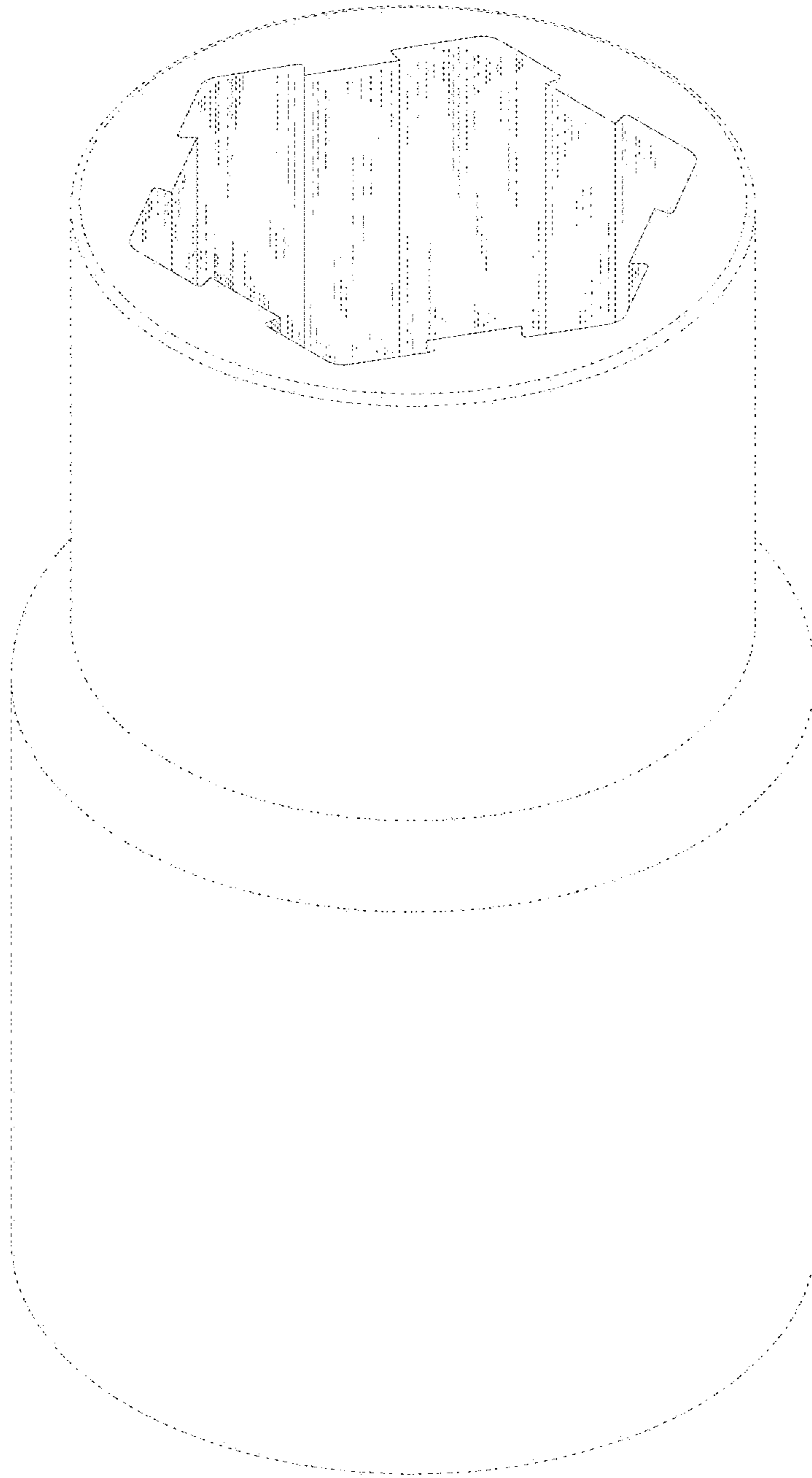


FIG. 1

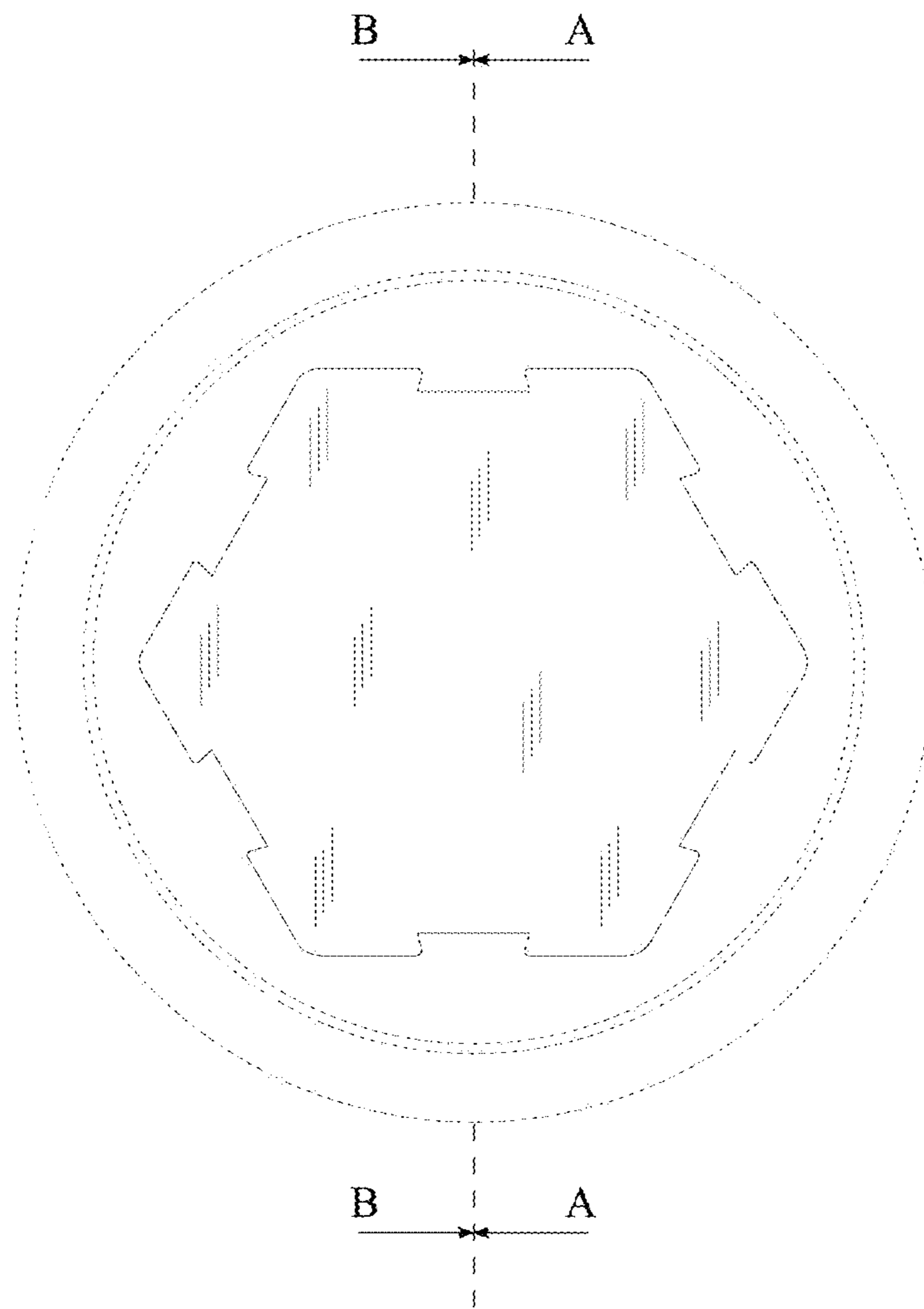


FIG. 2

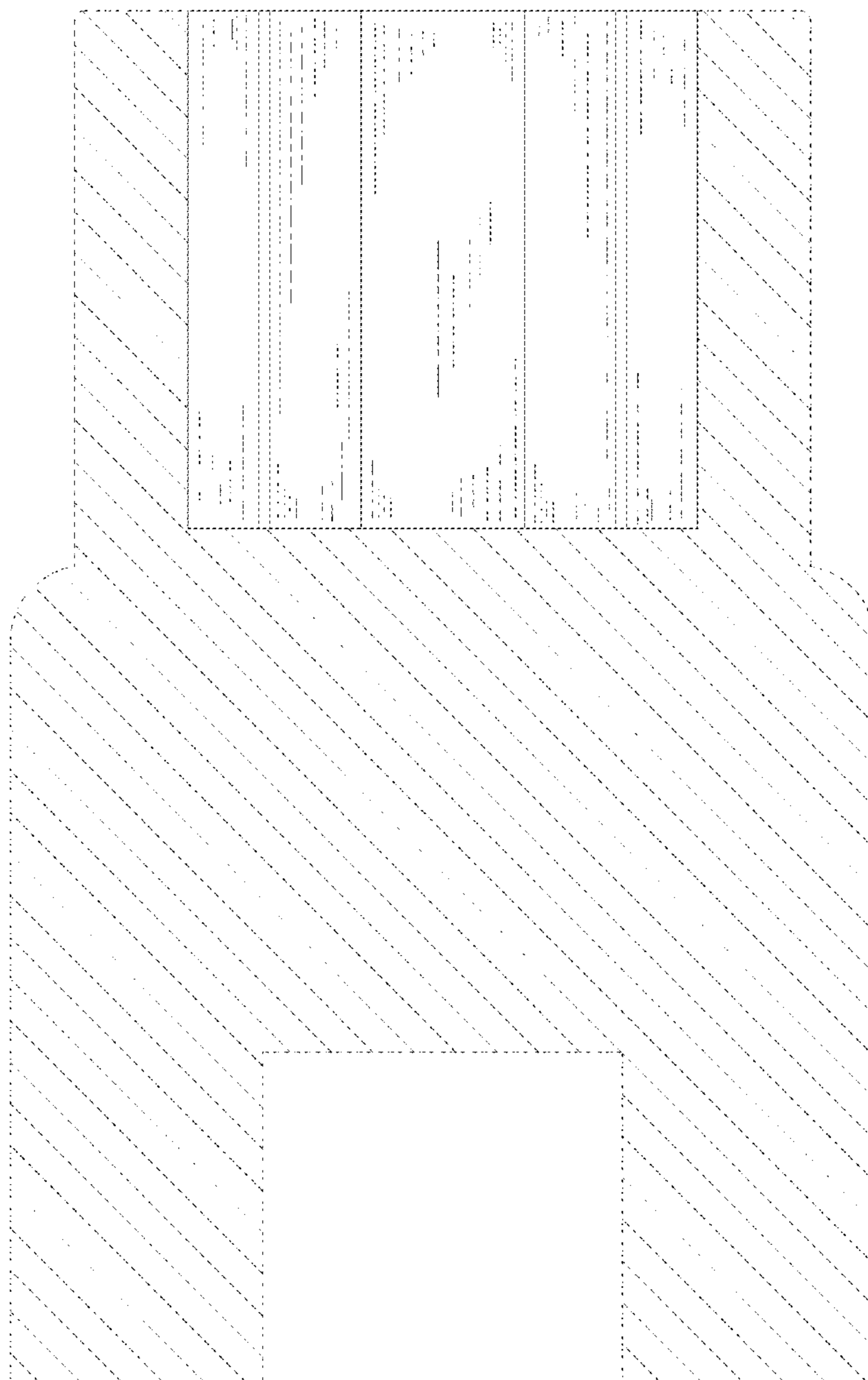


FIG. 3

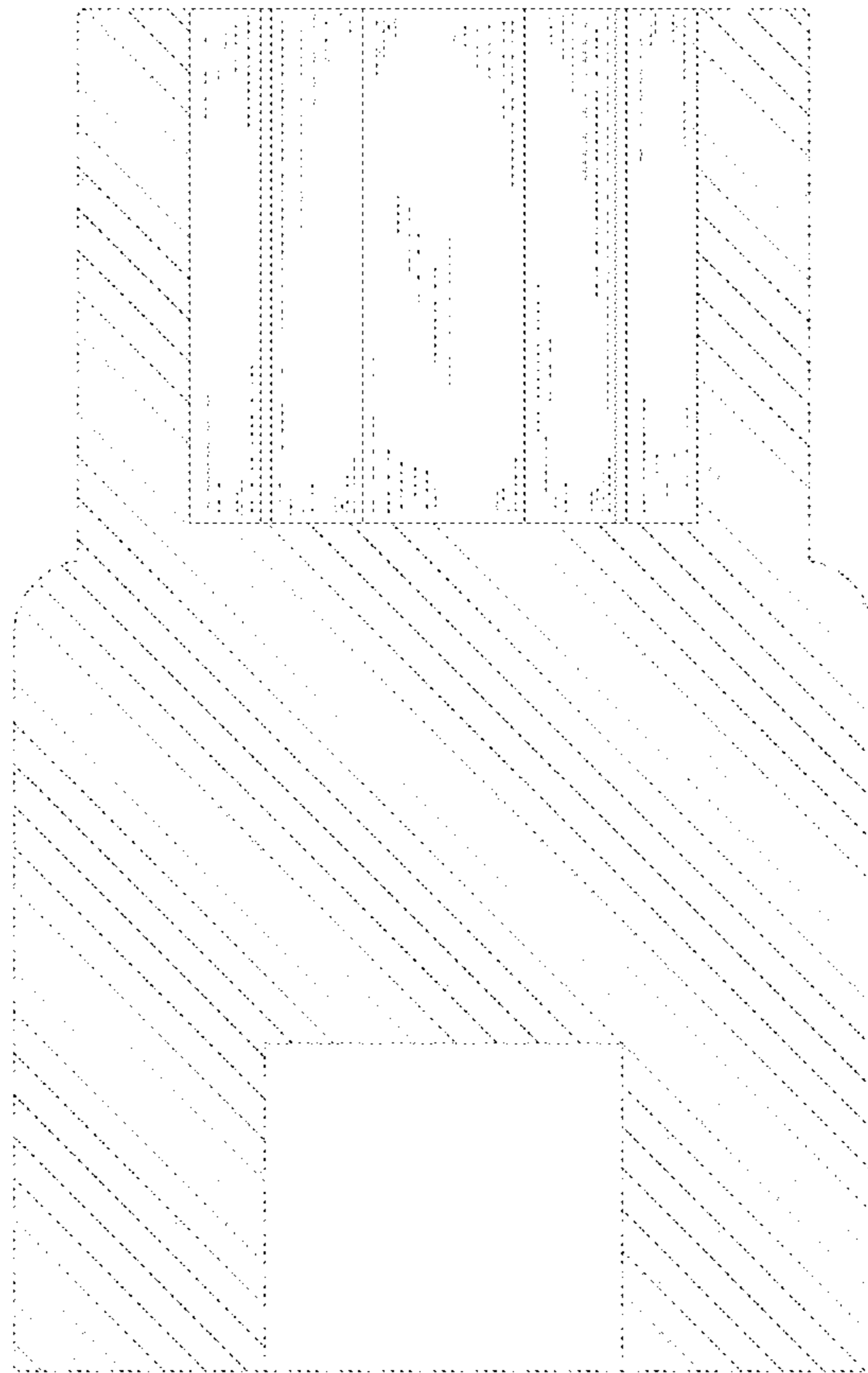


FIG. 4