



US00D794404S

(12) **United States Design Patent**
Harris

(10) **Patent No.:** **US D794,404 S**

(45) **Date of Patent:** **** Aug. 15, 2017**

- (54) **RAKE COLLECTION TOOL**
- (71) Applicant: **Bradley Richard Harris**, Baton Rouge, LA (US)
- (72) Inventor: **Bradley Richard Harris**, Baton Rouge, LA (US)
- (**) Term: **15 Years**
- (21) Appl. No.: **29/536,268**
- (22) Filed: **Aug. 14, 2015**

- 4,198,720 A * 4/1980 Matsumoto E04H 4/1609
15/1.7
 - 4,828,690 A * 5/1989 Montez B07B 1/02
209/418
 - 5,417,044 A * 5/1995 Russo A01D 7/10
294/179
 - D393,300 S * 4/1998 Andrews D21/721
 - D406,413 S * 3/1999 Russo D30/162
 - 5,921,596 A * 7/1999 Sheriff A01K 1/0114
209/418
 - D599,631 S * 9/2009 Guadalupe D8/1
- (Continued)

Primary Examiner — Sheryl Lane
(74) *Attorney, Agent, or Firm* — Ted M. Anthony

Related U.S. Application Data

- (63) Continuation of application No. 14/018,815, filed on Sep. 5, 2013, now abandoned.
- (51) **LOC (10) Cl.** **08-01**
- (52) **U.S. Cl.**
USPC **D8/13**
- (58) **Field of Classification Search**
USPC D8/1, 13, 10; D23/35
CPC ... A01D 9/00; A01D 9/02; A01D 9/06; E04D
15/003; A01K 80/00
See application file for complete search history.

(57) **CLAIM**

The ornamental design for a rake collection tool, as shown and described.

DESCRIPTION

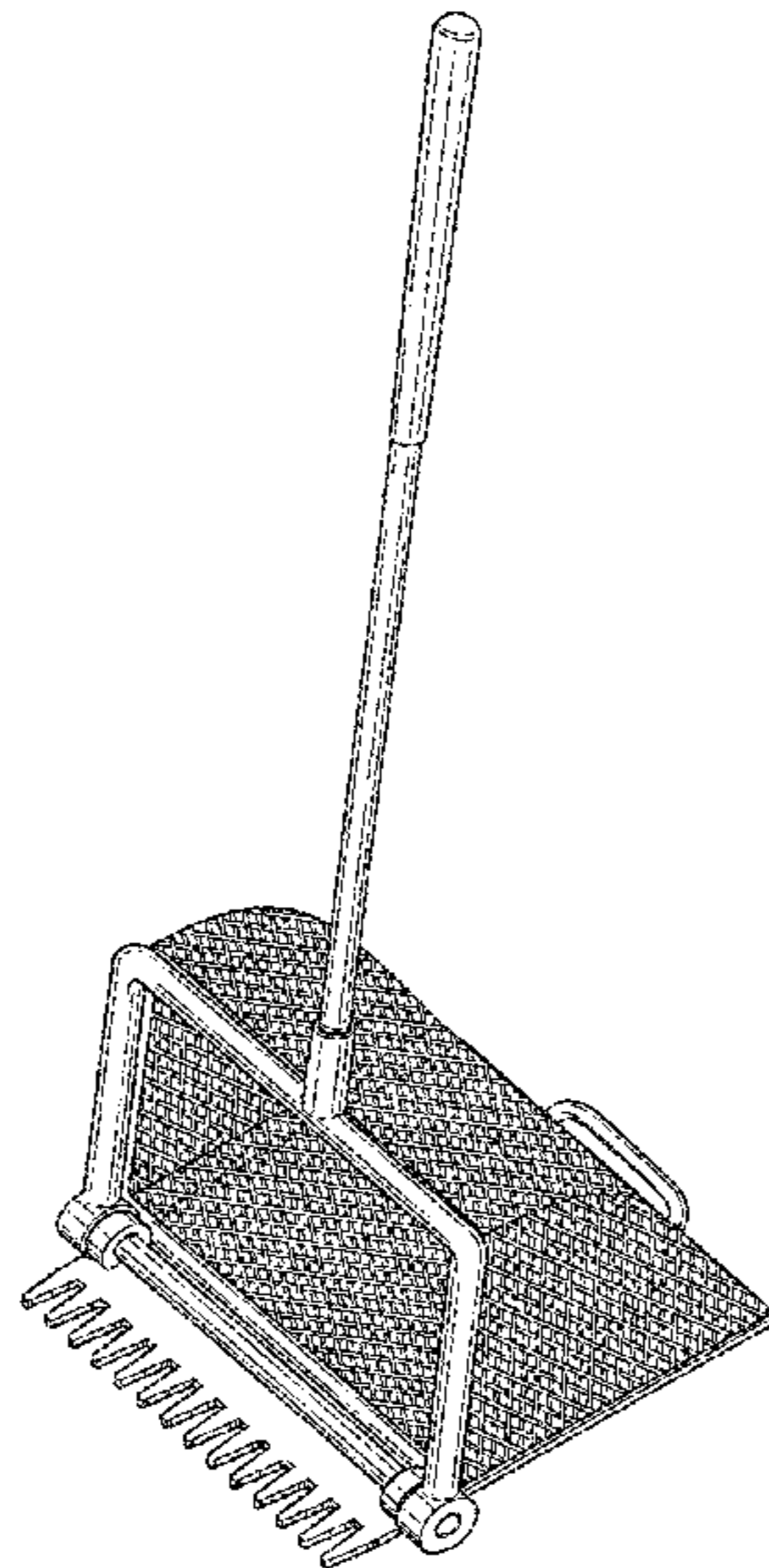
FIG. 1 is a front perspective view of a rake collection tool of the present invention.
 FIG. 2 is a front view of a rake collection tool depicted in FIG. 1.
 FIG. 3 is rear view of a rake collection tool depicted in FIGS. 1 through 2.
 FIG. 4 is a side view of a rake collection tool depicted in FIGS. 1 through 3.
 FIG. 5 is a side view of a rake collection tool depicted in FIGS. 1 through 4, rotated approximately 180 degrees from the view depicted in FIG. 4.
 FIG. 6 is an overhead view of a rake collection tool depicted in FIGS. 1 through 5; and,
 FIG. 7 is a bottom view of a rake collection tool depicted in FIGS. 1 through 6.
 The present invention is a rake collection tool used in collection and disposal of yard waste and other debris including, without limitation, leaves, grass clippings, twigs and/or sticks.

(56) **References Cited**

U.S. PATENT DOCUMENTS

- 1,014,250 A * 1/1912 Norman A01D 7/10
56/400.11
- 1,095,585 A * 5/1914 Mack A01D 46/24
294/179
- 1,198,592 A * 9/1916 Stein A01D 9/00
294/55.5
- 1,782,497 A * 11/1930 Anderson A01K 80/00
37/316
- 3,608,217 A * 9/1971 Voisin E02F 3/60
294/68.26
- 4,190,279 A * 2/1980 Sguazzin A01K 80/00
294/179

1 Claim, 6 Drawing Sheets



(56)

References Cited

U.S. PATENT DOCUMENTS

8,006,474 B2 * 8/2011 Baker A01D 7/06
210/238
8,955,893 B1 * 2/2015 Stern E01H 1/1206
294/1.4

* cited by examiner

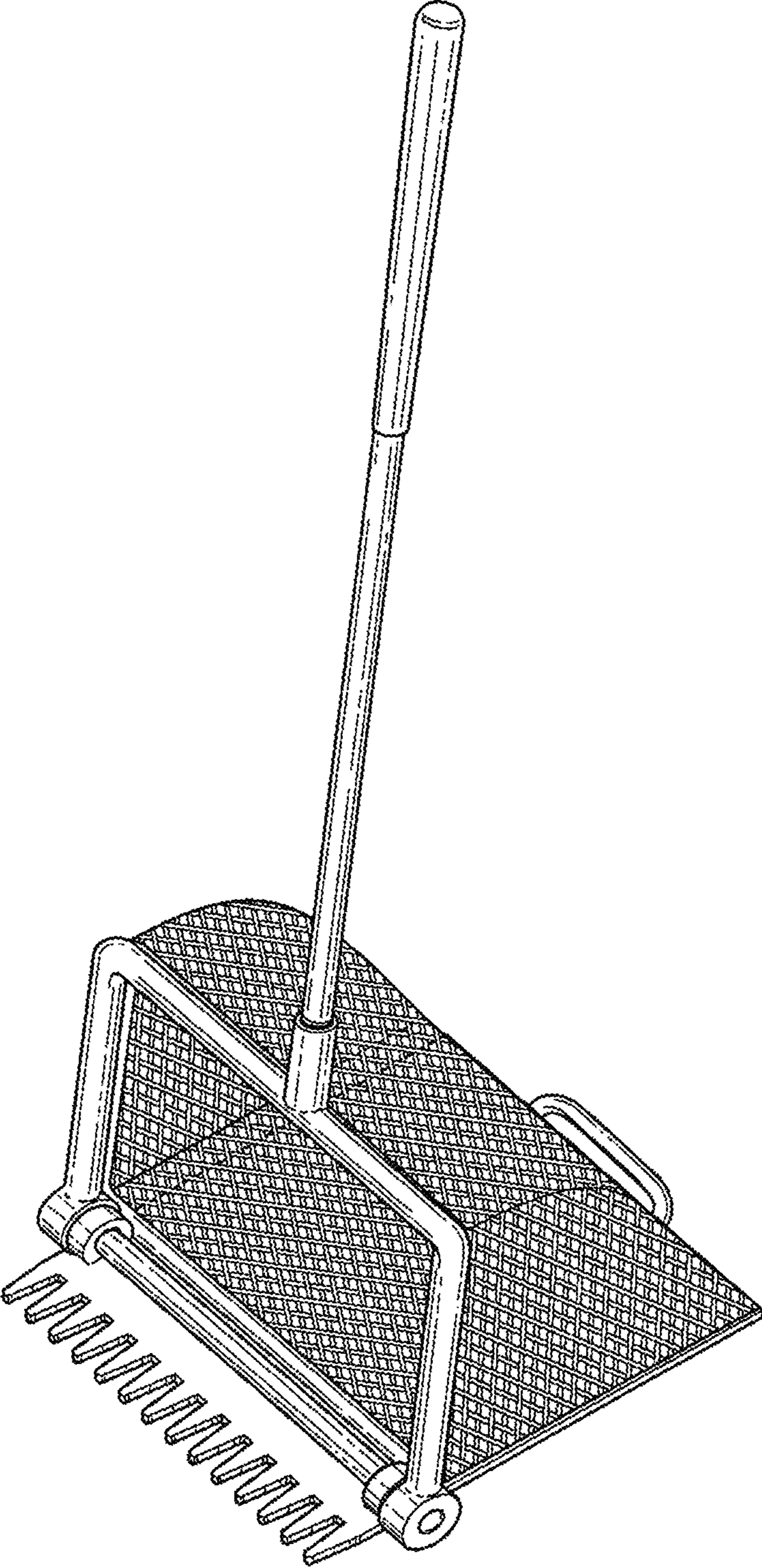


FIG. 1

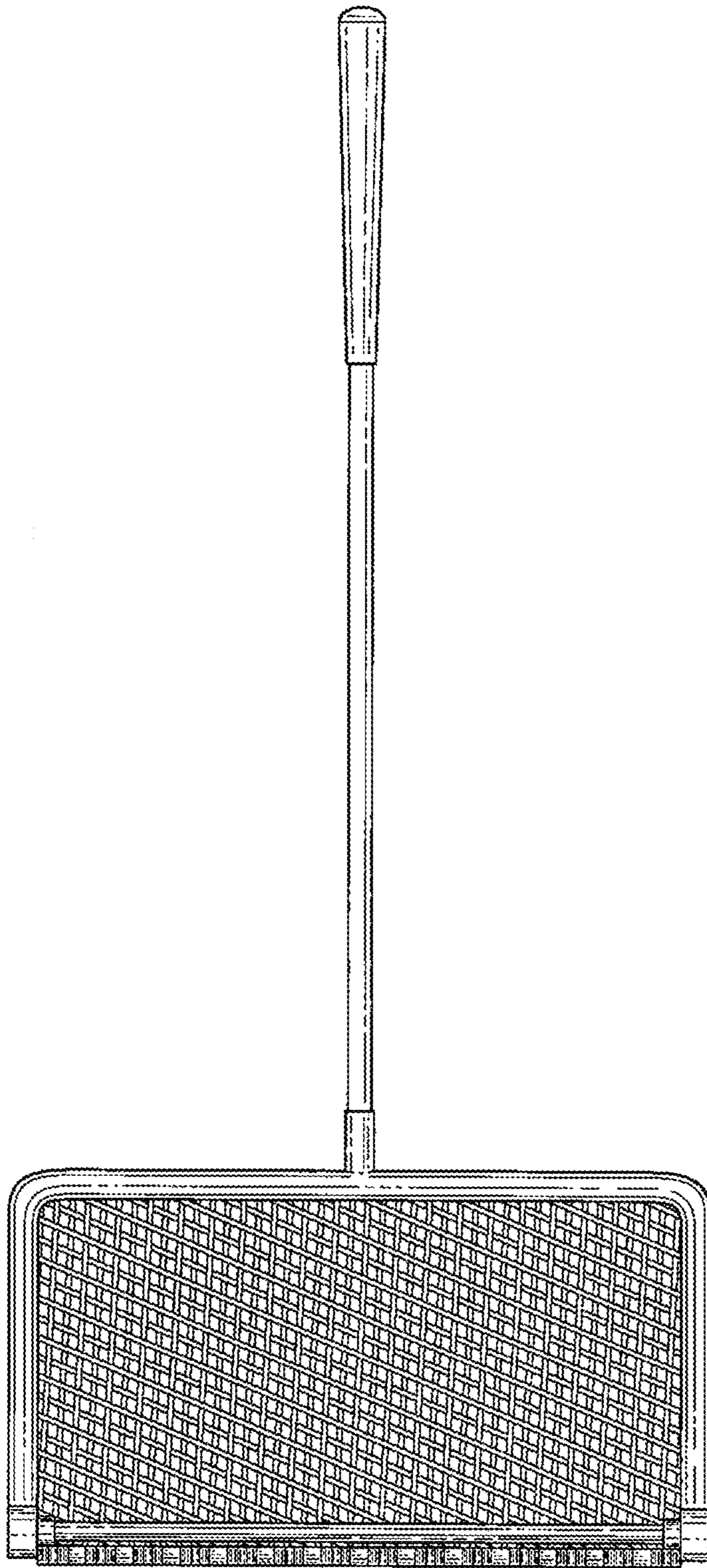


FIG. 2

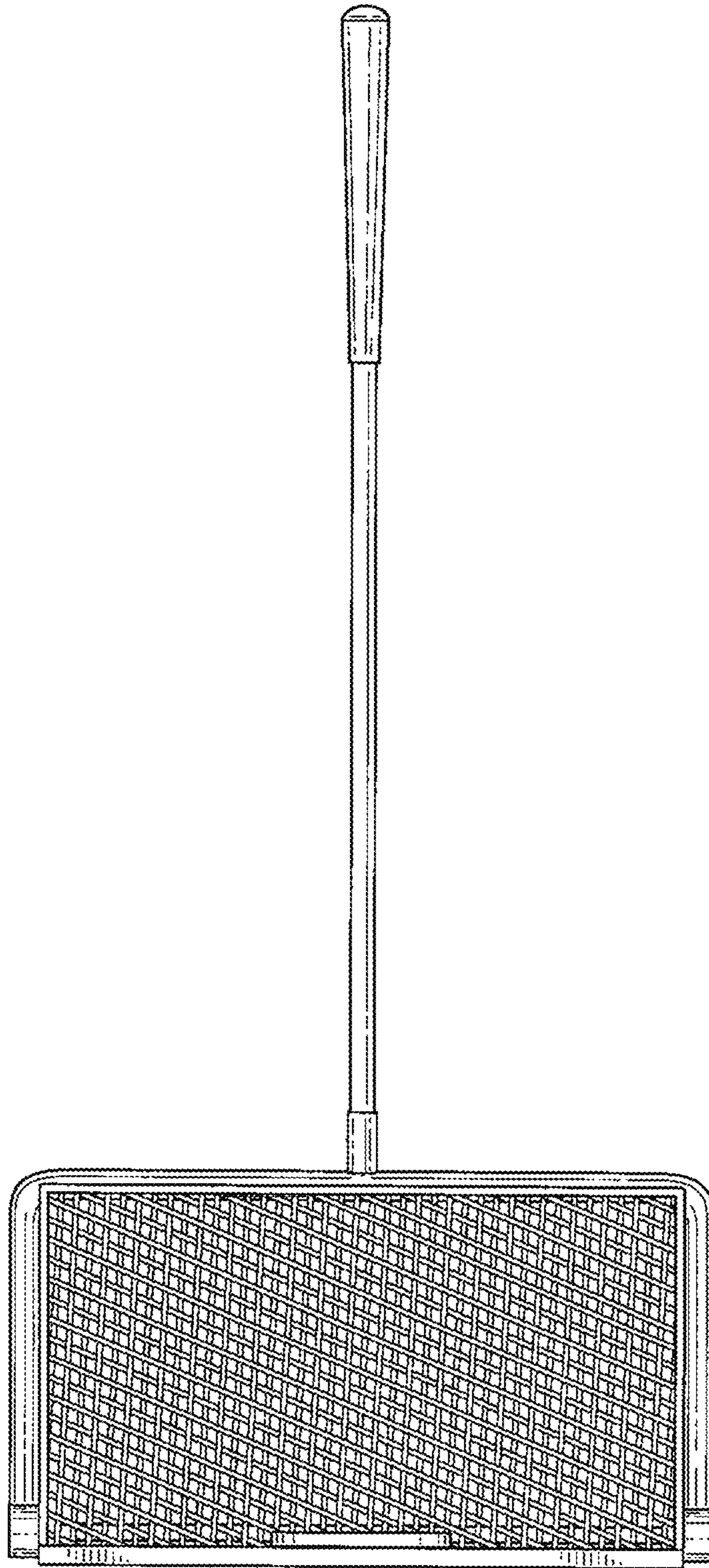


FIG. 3

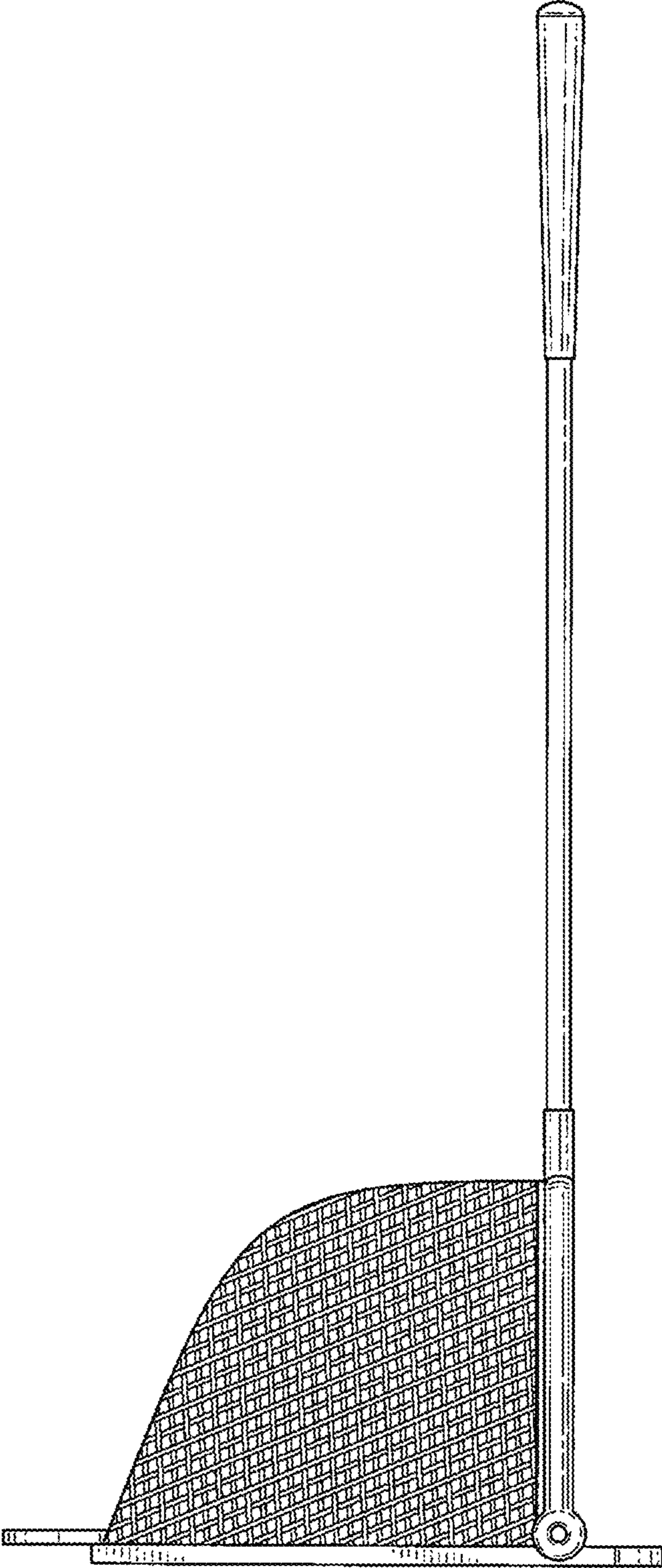


FIG. 4

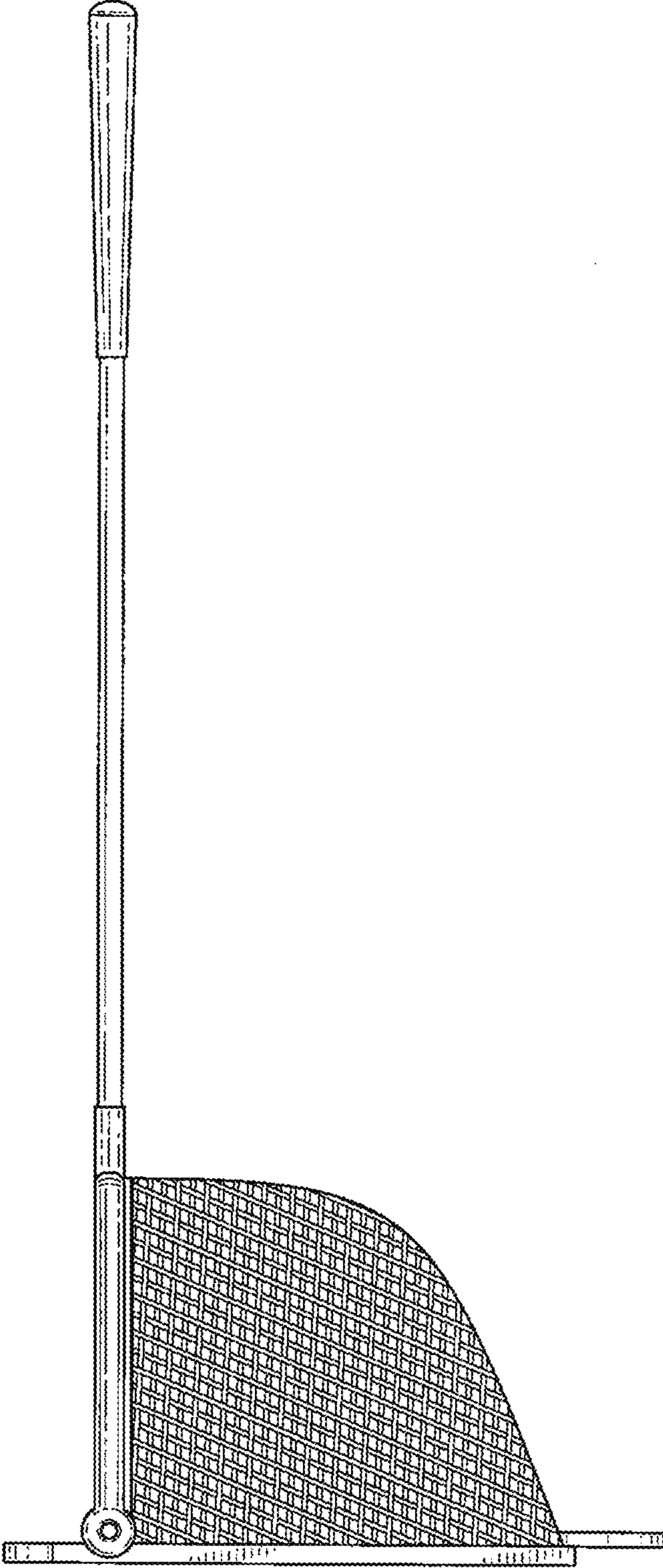


FIG. 5

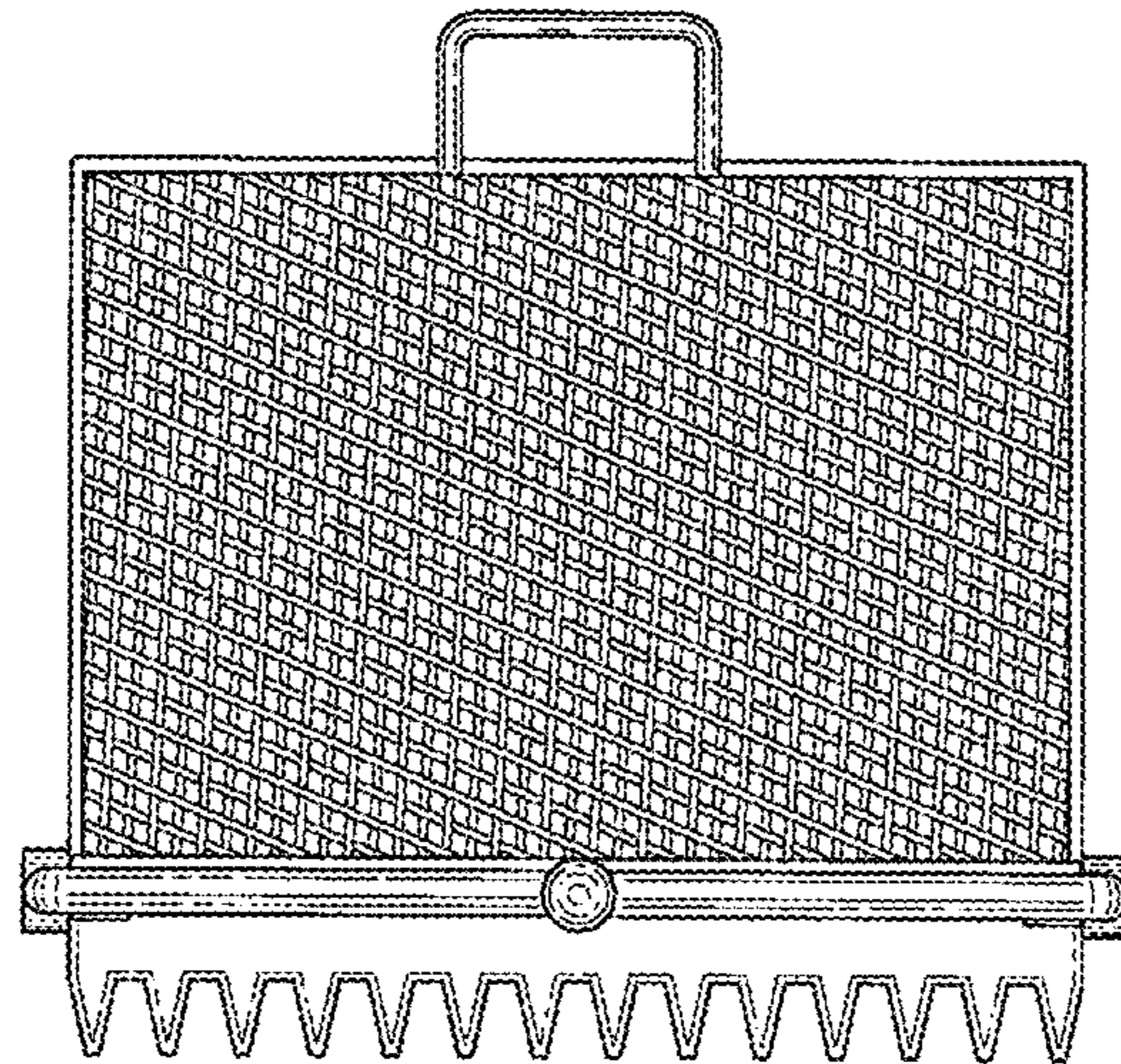


FIG. 6

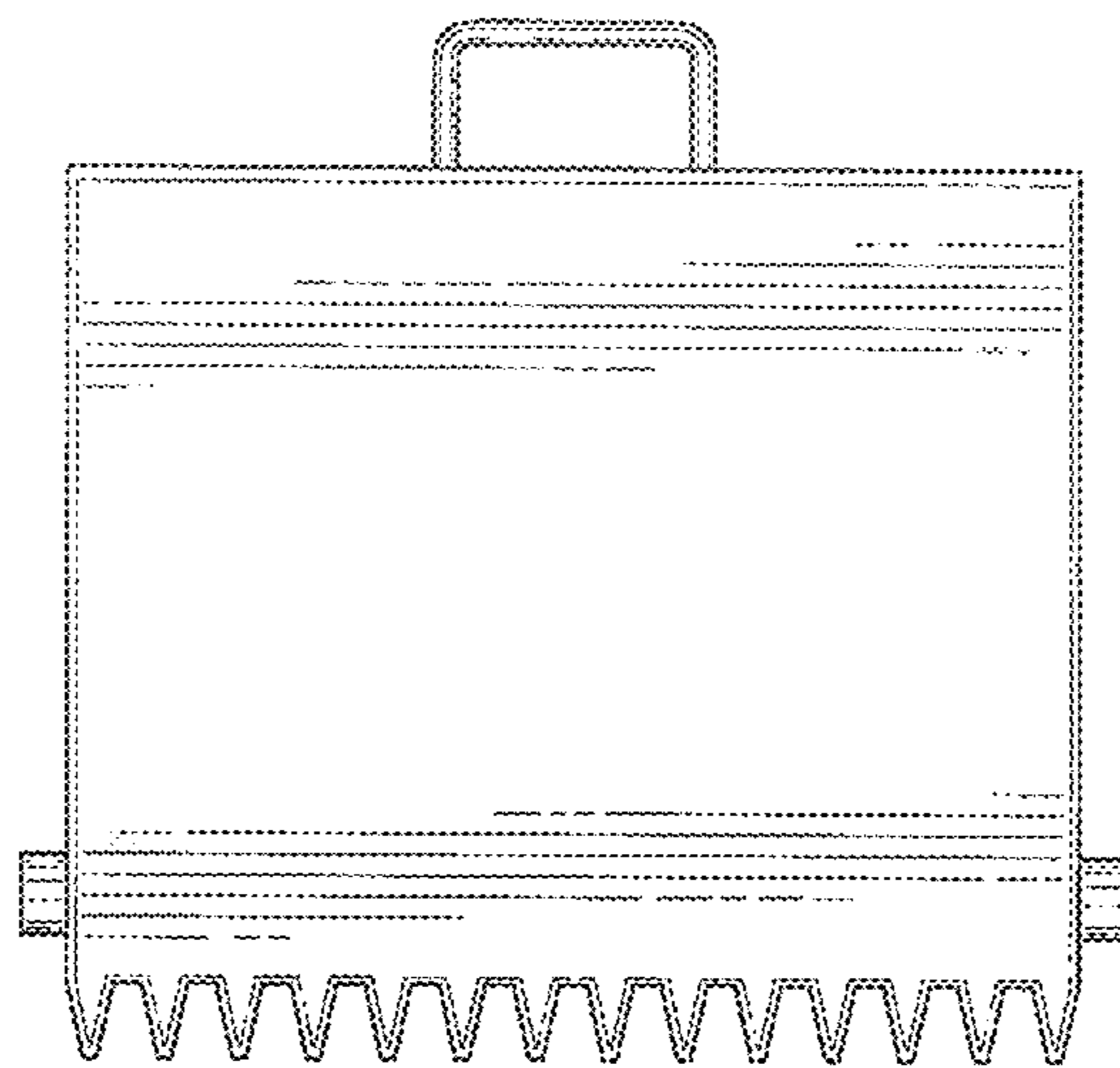


FIG. 7