



US00D794403S

(12) **United States Design Patent** (10) **Patent No.:** **US D794,403 S**  
**Boone** (45) **Date of Patent:** **\*\* Aug. 15, 2017**

(54) **RAKE WITH WRIST ATTACHMENT**

(71) Applicant: **Randy M. Boone**, West Willington, CT (US)

(72) Inventor: **Randy M. Boone**, West Willington, CT (US)

(\*\*) Term: **14 Years**

(21) Appl. No.: **29/506,881**

(22) Filed: **Oct. 21, 2014**

**Related U.S. Application Data**

(63) Continuation of application No. 13/838,202, filed on Mar. 15, 2013, now abandoned.

(51) **LOC (10) Cl.** ..... **08-01**

(52) **U.S. Cl.**  
USPC ..... **D8/13**

(58) **Field of Classification Search**  
USPC ..... D8/1, 13, 10  
CPC ... A01D 7/00; A01D 7/04; A01D 7/06; A01D 7/02; A01B 1/08; A01B 1/06; A01B 1/20  
See application file for complete search history.

(56) **References Cited**

**U.S. PATENT DOCUMENTS**

2,180,544	A	11/1939	Nissen	
3,724,188	A *	4/1973	Eads	A01D 7/00 56/400.17
4,378,670	A	4/1983	Check et al.	
D293,196	S *	12/1987	Germain	D8/13
4,866,922	A	9/1989	Clark	
5,498,046	A	3/1996	Ridley, Sr. et al.	
D369,073	S *	4/1996	Sun	D8/13
5,687,556	A	11/1997	Lintz	
5,706,640	A	1/1998	Tyrrell	
D391,132	S *	2/1998	Gandee	D8/13

D391,814	S *	3/1998	Lindsey	D8/13
D393,786	S *	4/1998	Hession	D8/13
D402,173	S *	12/1998	Woodley	D8/13
D442,039	S *	5/2001	Yeh	D8/13
D465,705	S *	11/2002	Hinden	D8/13
D505,304	S *	5/2005	Conaway	D8/13
D543,427	S *	5/2007	Willison	D8/13
D545,647	S *	7/2007	Fortier	D8/13
D577,967	S *	10/2008	Norton	D8/13
D579,289	S *	10/2008	Norton	D8/13
D616,273	S	5/2010	Cohen et al.	
D625,571	S *	10/2010	Frenkel	D8/13
2004/0187470	A1 *	9/2004	Hurt	A01D 7/00 56/400.18
2008/0060338	A1 *	3/2008	Chang	A01D 7/00 56/400.14
2013/0291695	A1 *	11/2013	Bricker	B25B 11/00 81/489

\* cited by examiner

*Primary Examiner* — Sheryl Lane

(74) *Attorney, Agent, or Firm* — Robert C. Montgomery; Montgomery Patent & Design, LP

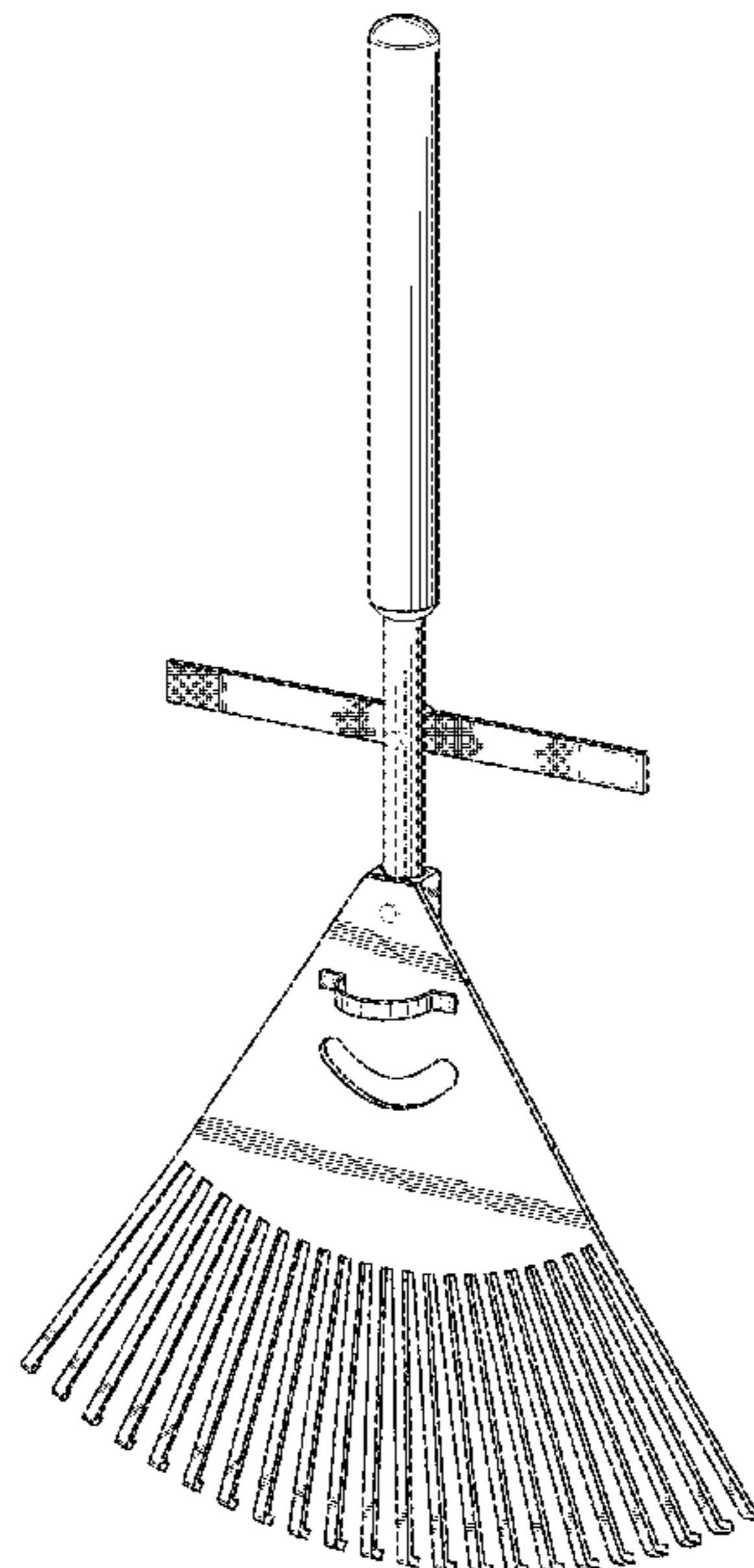
(57) **CLAIM**

The ornamental design for a rake with a wrist attachment, as shown and described.

**DESCRIPTION**

FIG. 1 is a perspective front view of the rake with a wrist attachment, showing my new design; FIG. 2 is a front view thereof; FIG. 3 is a rear view thereof; FIG. 4 is a left side view thereof; FIG. 5 is a right side view thereof; FIG. 6 is a top view thereof; and, FIG. 7 is bottom view thereof. The broken lines represent portions of the rake and form no part of the claimed design.

**1 Claim, 6 Drawing Sheets**



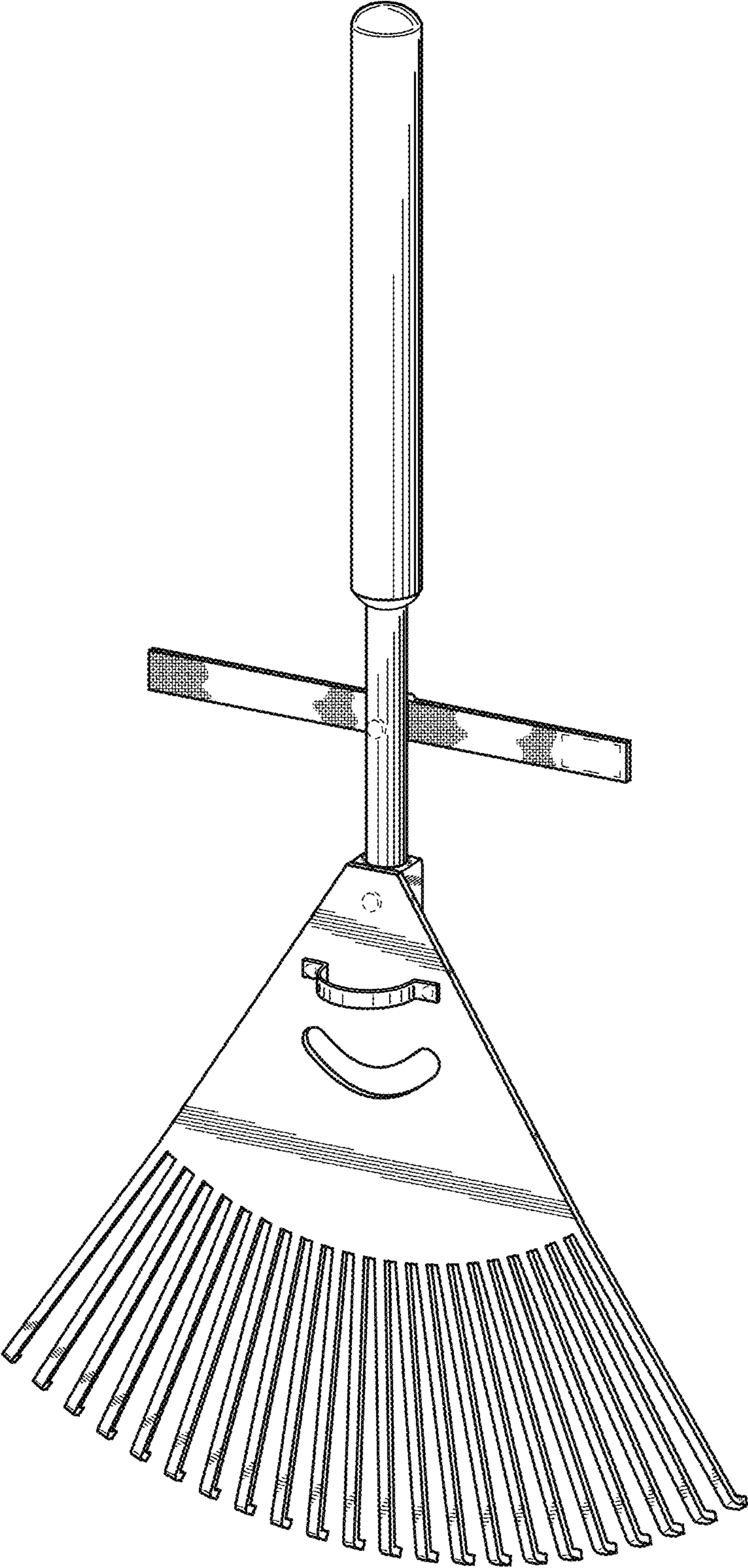


Fig. 1

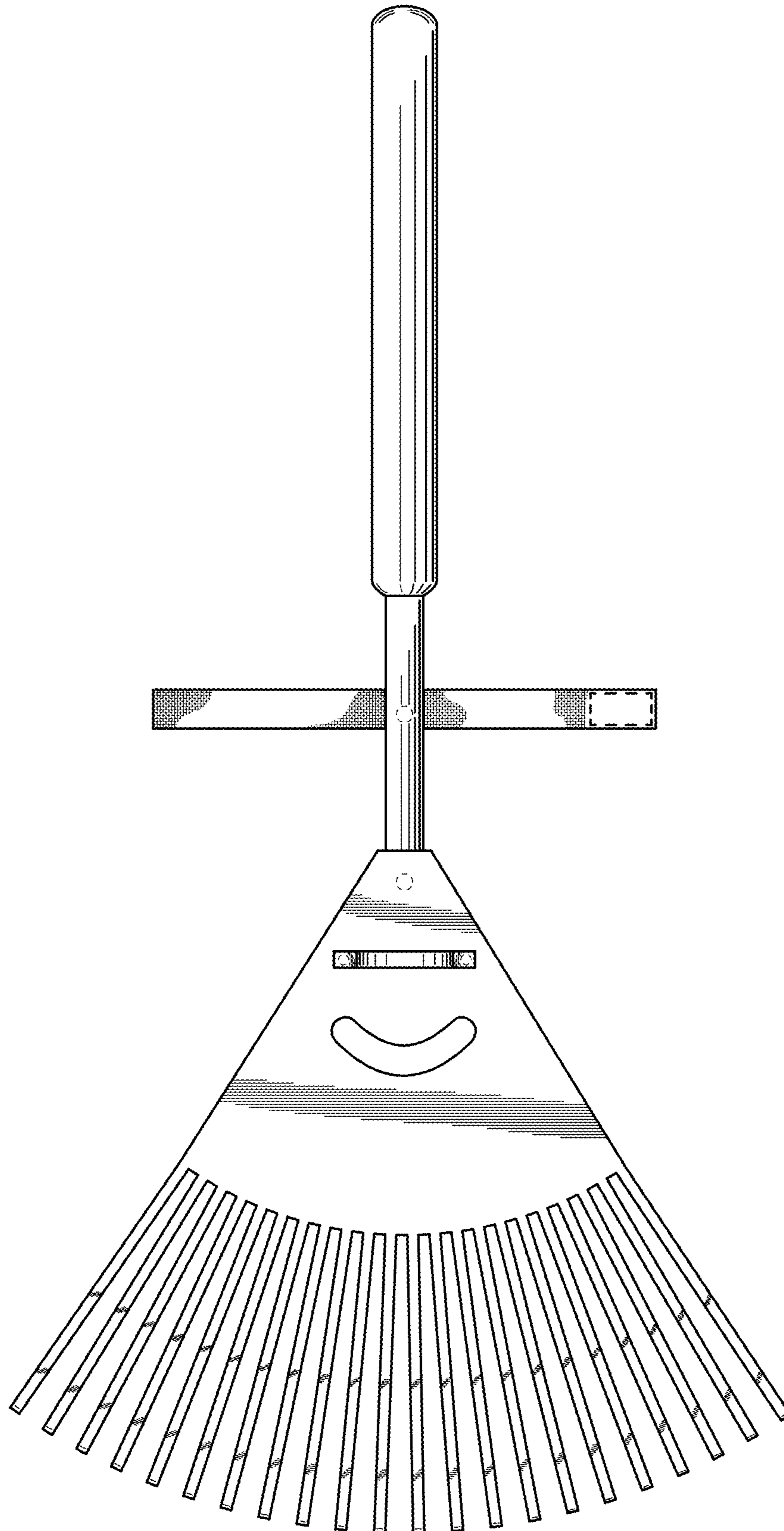


Fig. 2

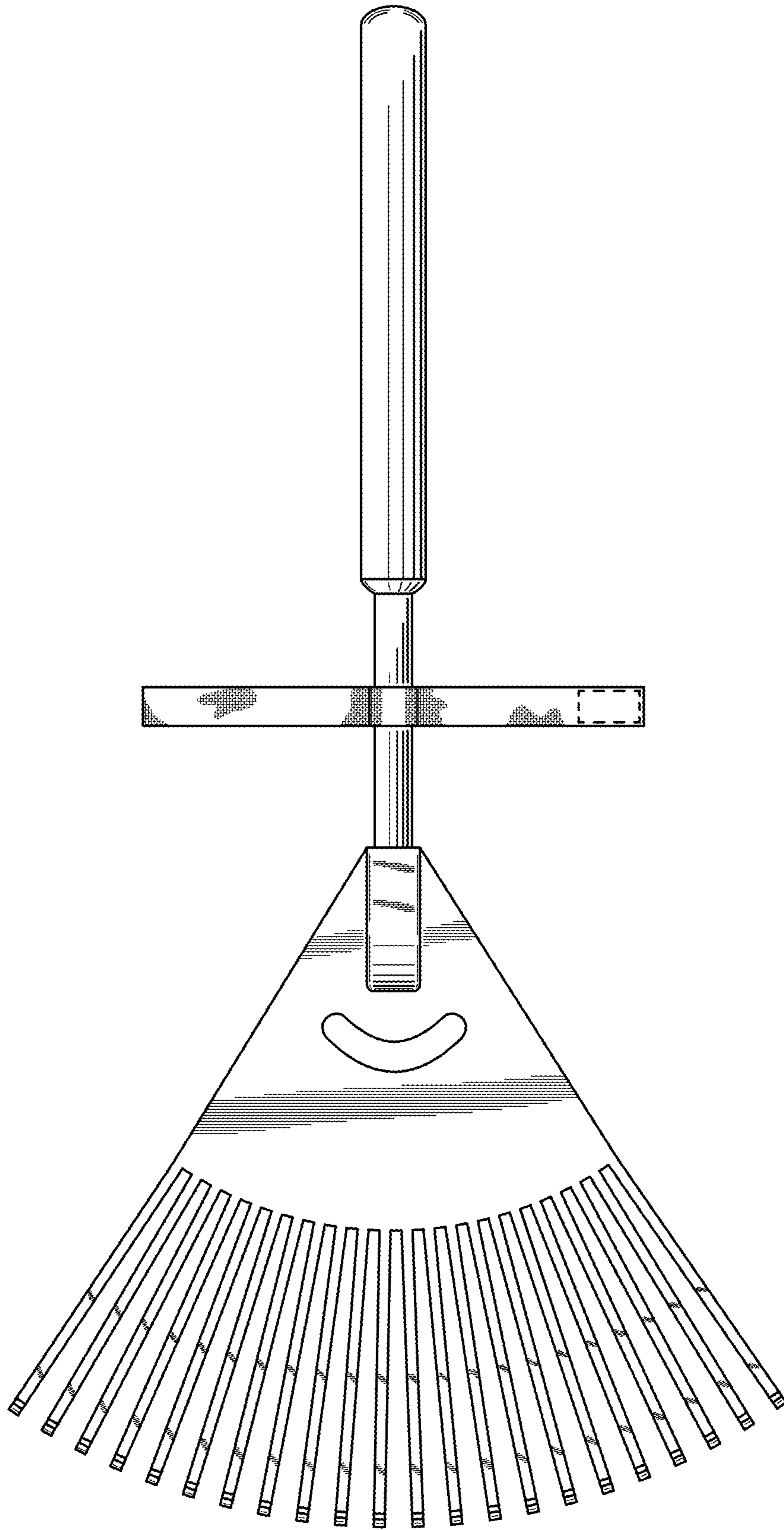


Fig. 3



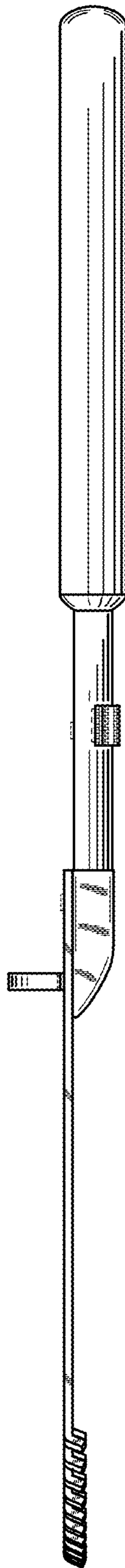


Fig. 4

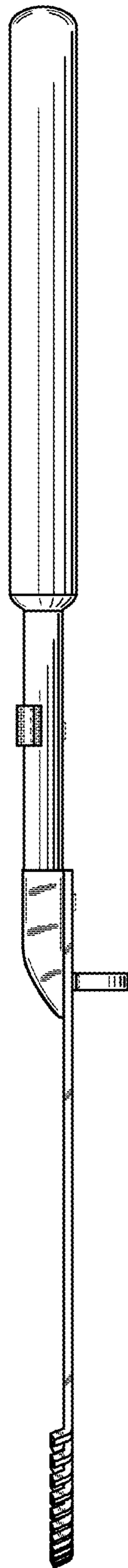


Fig. 5

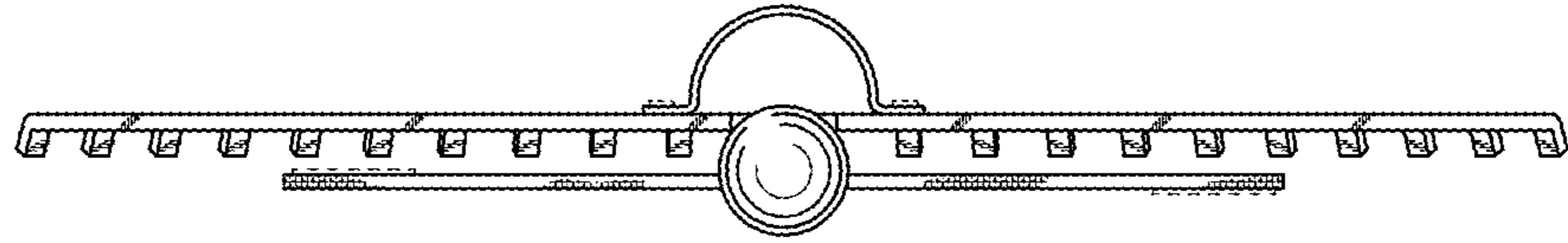


Fig. 6

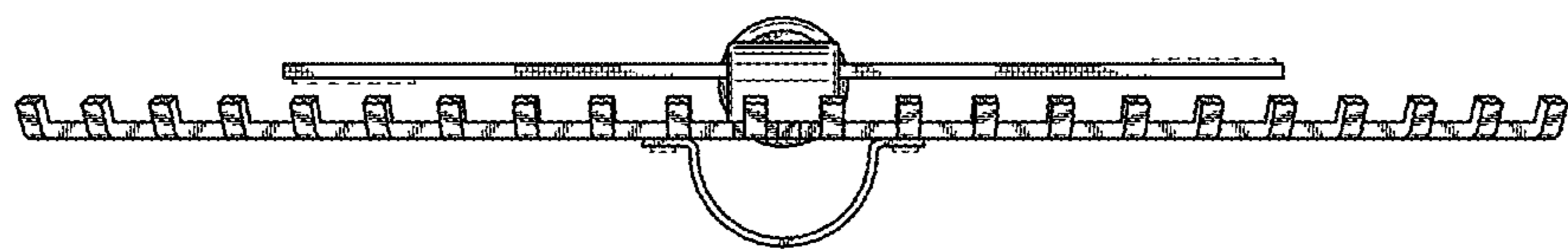


Fig. 7