



US00D794402S

(12) **United States Design Patent** (10) **Patent No.:** **US D794,402 S**
Sukruangsap (45) **Date of Patent:** **** Aug. 15, 2017**

(54) **FRUIT PICKER**

(71) Applicant: **Apichat Sukruangsap**, Samutprakan (TH)

(72) Inventor: **Apichat Sukruangsap**, Samutprakan (TH)

(**) Term: **15 Years**

(21) Appl. No.: **29/552,443**

(22) Filed: **Jan. 22, 2016**

(30) **Foreign Application Priority Data**

Sep. 9, 2015 (TH) 1502003103

(51) **LOC (10) Cl.** **08-01**

(52) **U.S. Cl.**
USPC **D8/1**

(58) **Field of Classification Search**
USPC D8/1, 7

(Continued)

(56) **References Cited**

U.S. PATENT DOCUMENTS

55,150 A * 5/1866 Newcomb A01D 46/247
30/289
132,634 A * 10/1872 Colthar A01D 46/247
56/339

(Continued)

Primary Examiner — Sheryl Lane

(74) *Attorney, Agent, or Firm* — Muncy, Geissler, Olds & Lowe, P.C.

(57) **CLAIM**

The ornamental design for a fruit picker, as shown and described.

DESCRIPTION

FIG. 1 is a perspective view of a fruit picker according to a first embodiment of the present application;

FIG. 2 is a top view of the fruit picker according to the first embodiment;

FIG. 3 is a bottom view of the fruit picker according to the first embodiment;

FIG. 4 is a front view of the fruit picker according to the first embodiment;

FIG. 5 is a rear view of the fruit picker according to the first embodiment;

FIG. 6 is a left side view of the fruit picker according to the first embodiment;

FIG. 7 is a right side view of the fruit picker according to the first embodiment;

FIG. 8 is a perspective view of the fruit picker according to the first embodiment with an optional bag attached thereto;

FIG. 9 is a perspective view of a fruit picker according to a second embodiment of the present application;

FIG. 10 is a top view of the fruit picker according to the second embodiment;

FIG. 11 is a bottom view of the fruit picker according to the second embodiment;

FIG. 12 is a front view of the fruit picker according to the second embodiment;

FIG. 13 is a rear view of the fruit picker according to the second embodiment;

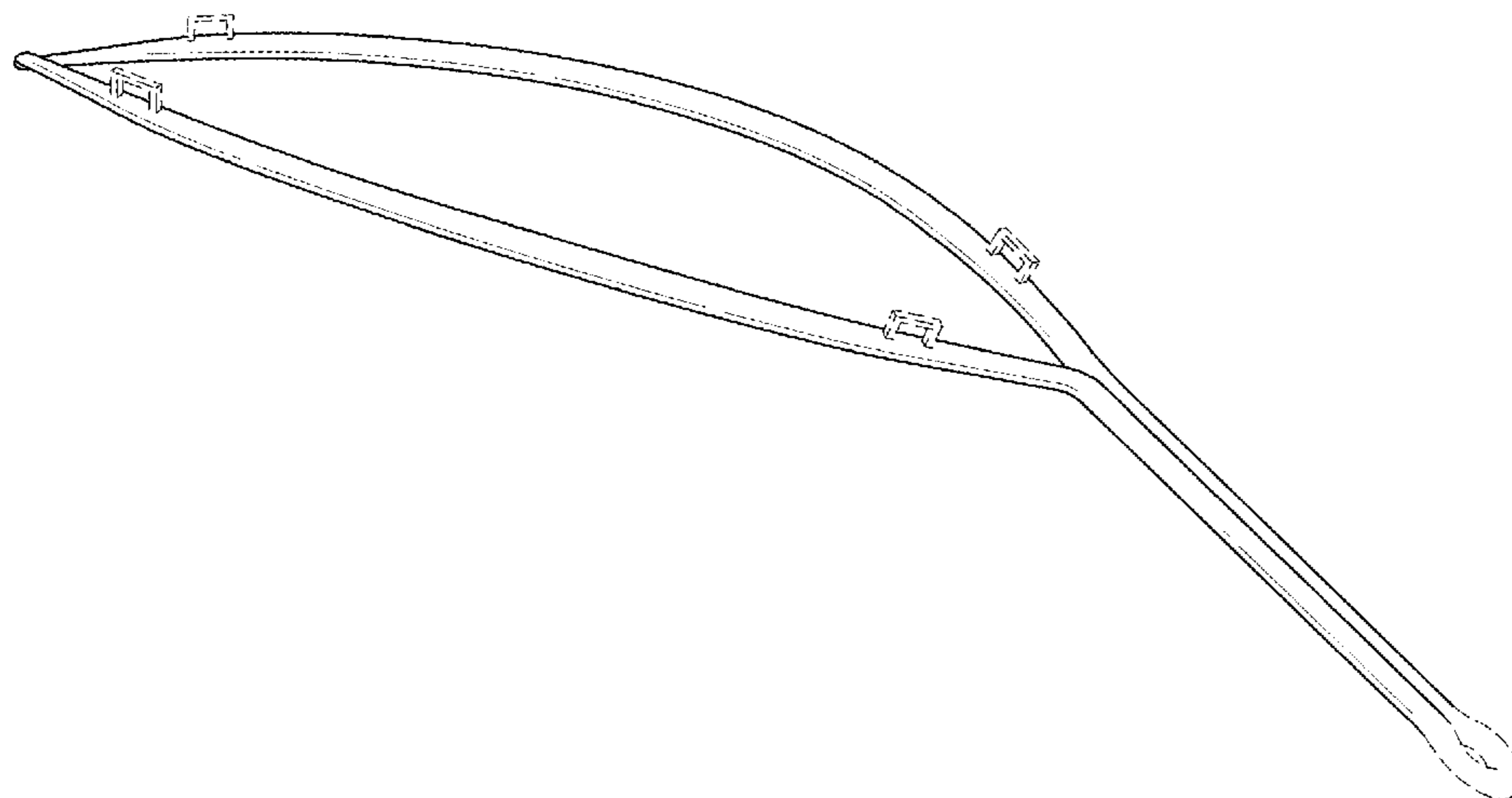
FIG. 14 is a left side view of the fruit picker according to the second embodiment; and,

FIG. 15 is a right side view of the fruit picker according to the second embodiment.

The broken lines showing of openings on the fruit picker in FIGS. 1-15 are for the purpose of illustrating the structures to hold the bag in place and form no part of the claimed design.

Another broken lines showing of the end of the handle in FIGS. 1-15 is for the purpose of illustrating the structures to attach the fruit picker to an extension structure and form no part of the claimed design.

1 Claim, 13 Drawing Sheets



(58) **Field of Classification Search**
CPC A01D 46/247; A01D 51/00; A01D 51/003
See application file for complete search history.

(56) **References Cited**

U.S. PATENT DOCUMENTS

617,258 A * 1/1899 Propst A01D 46/247
56/339
1,509,972 A * 9/1924 Michelsen A01D 46/247
56/339
1,556,628 A * 10/1925 Ramsdell A01D 46/247
56/336
2,180,077 A * 11/1939 Vote A01D 46/247
56/339
2,393,107 A * 1/1946 Johnson, Sr. A01D 46/247
56/339
D212,025 S * 8/1968 Pede D8/7
3,543,496 A * 12/1970 Foale A01D 46/247
56/336
4,242,856 A * 1/1981 Patton A01D 46/247
56/339
D301,825 S * 6/1989 Kilpelainen D8/7
4,928,461 A * 5/1990 King A01D 46/247
56/332
5,083,418 A * 1/1992 Reece A01D 46/247
56/239
D346,537 S * 5/1994 Lefebvre D8/1
D354,422 S * 1/1995 Jager D8/1
8,176,878 B1 * 5/2012 Wexler A01K 15/003
119/174
8,528,954 B1 * 9/2013 Dale A01D 51/00
294/19.2
2015/0296710 A1 * 10/2015 Tia A01D 46/247
56/339

* cited by examiner

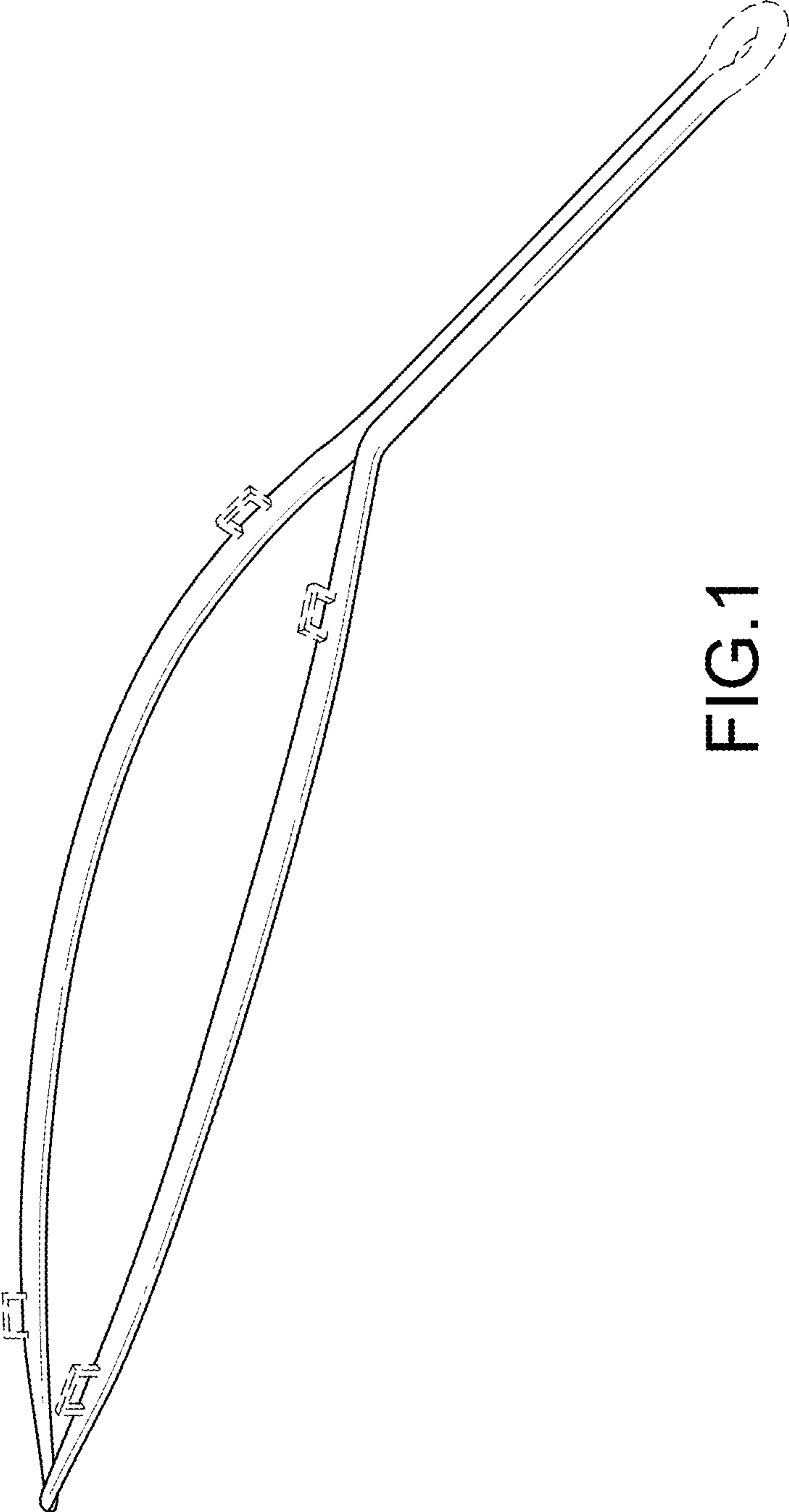


FIG.1

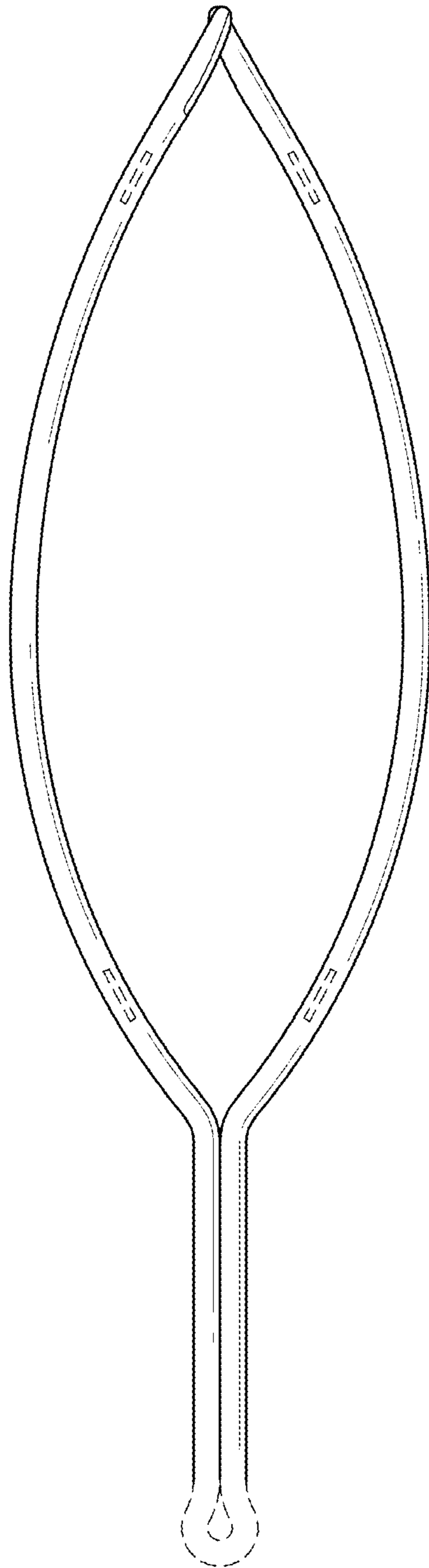


FIG. 2

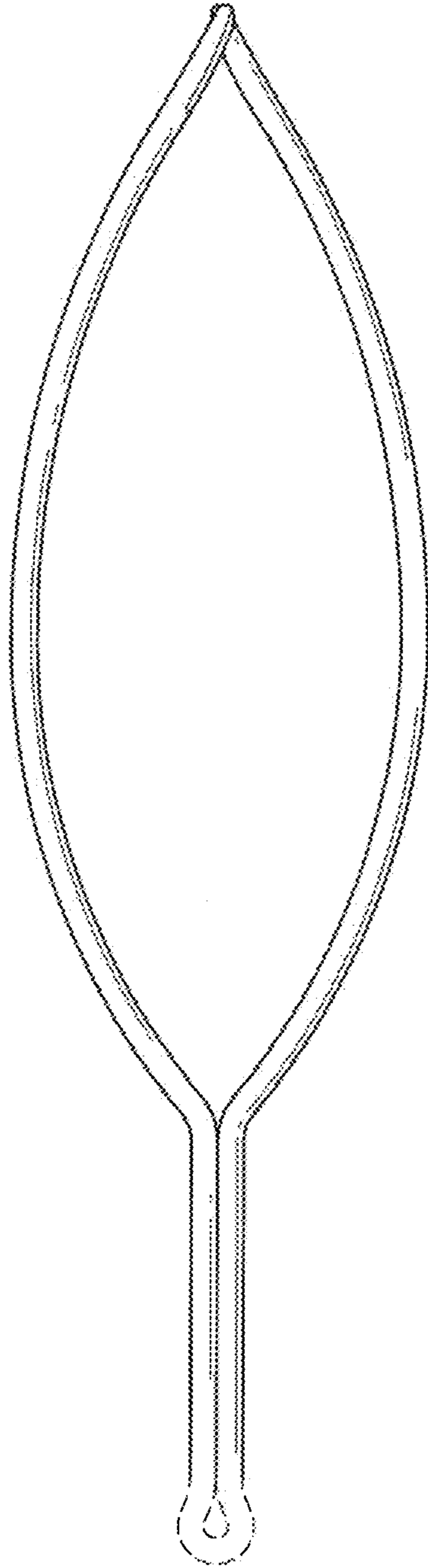


FIG.3

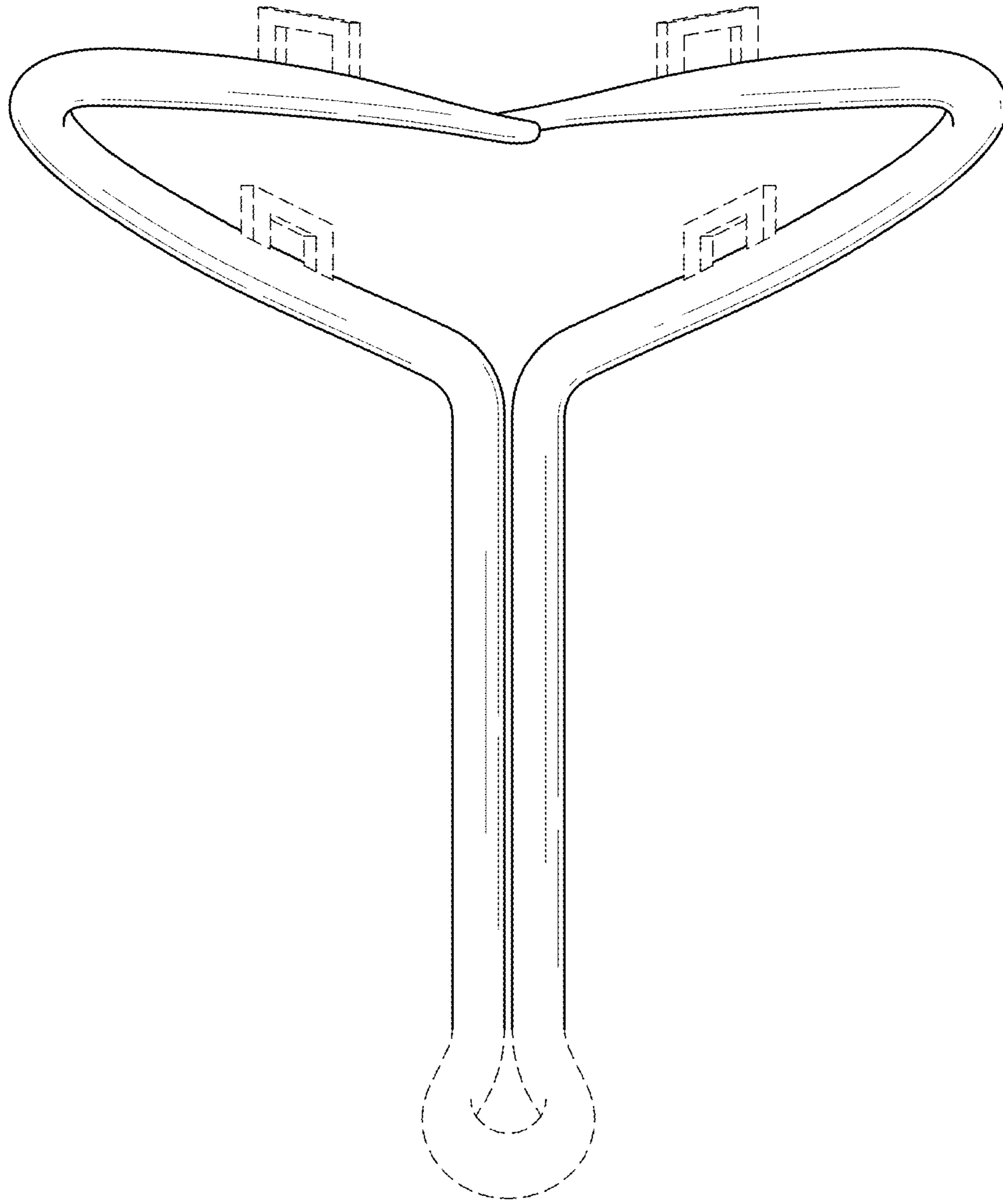


FIG.4

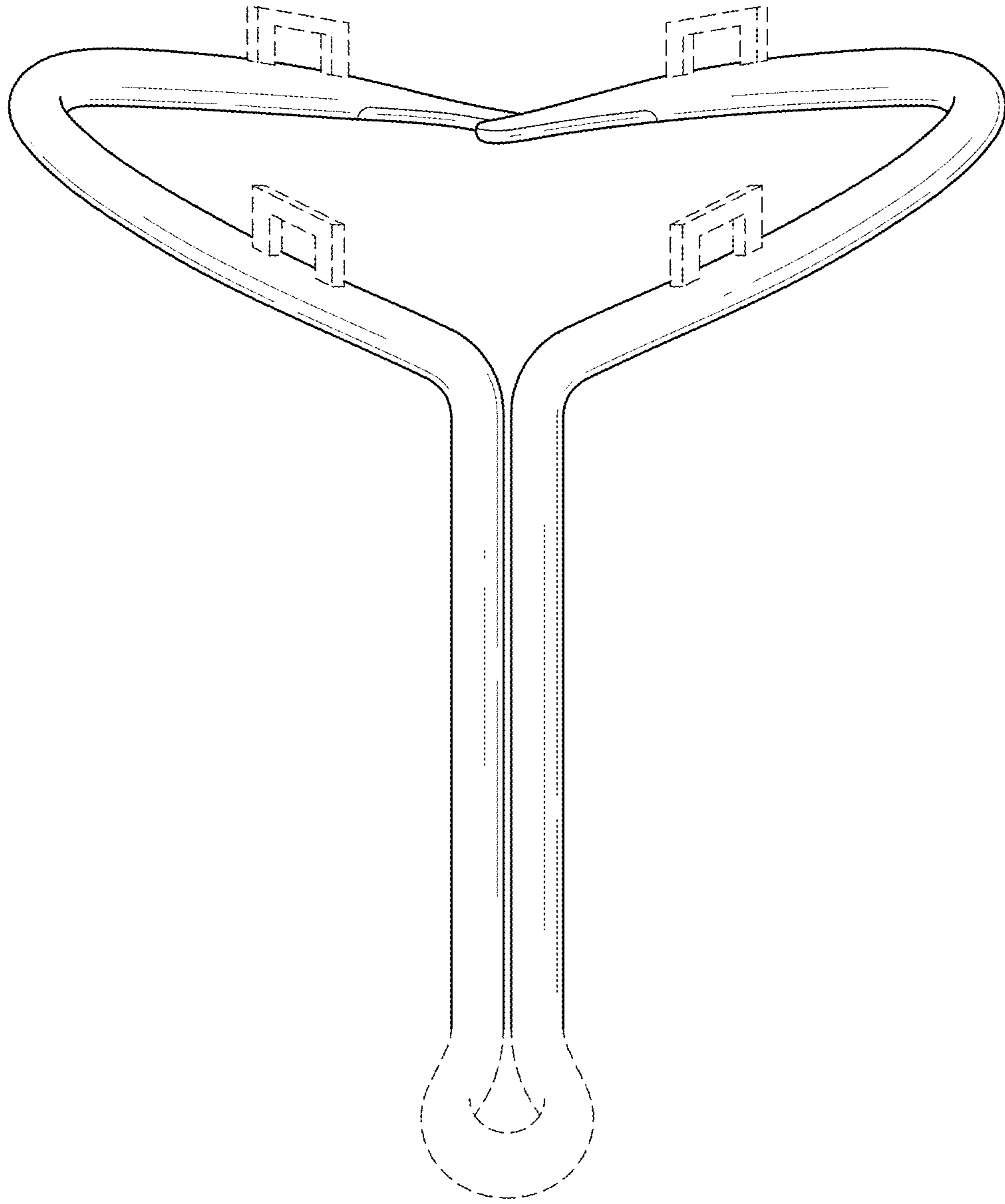


FIG.5

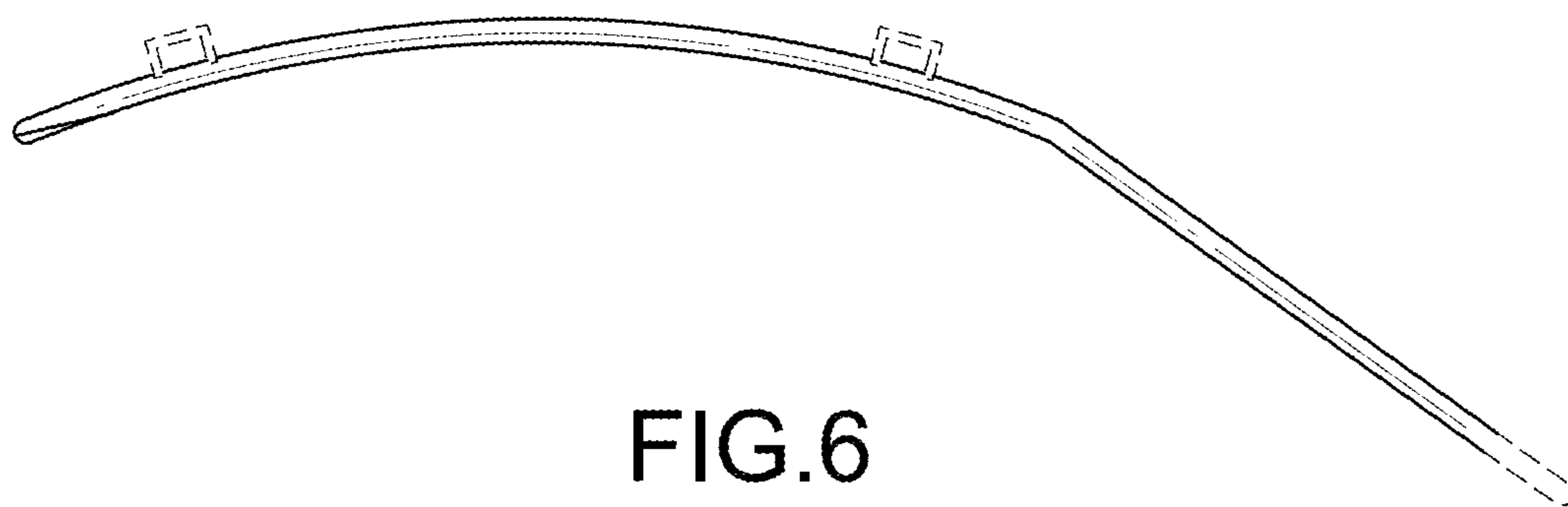


FIG. 6

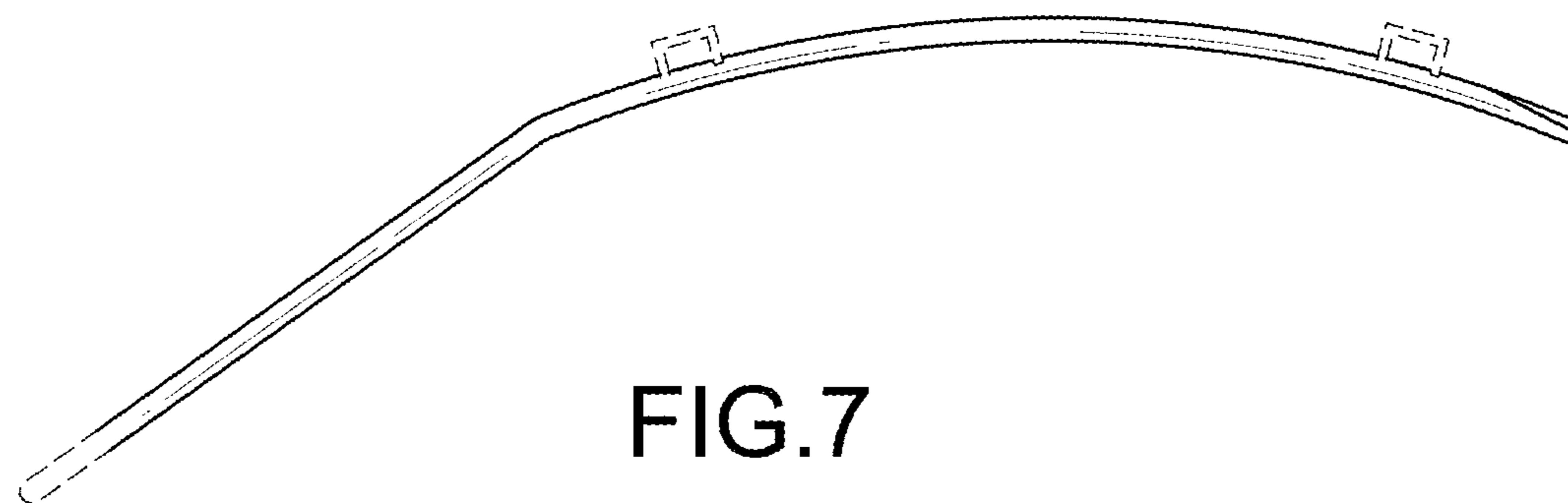


FIG. 7

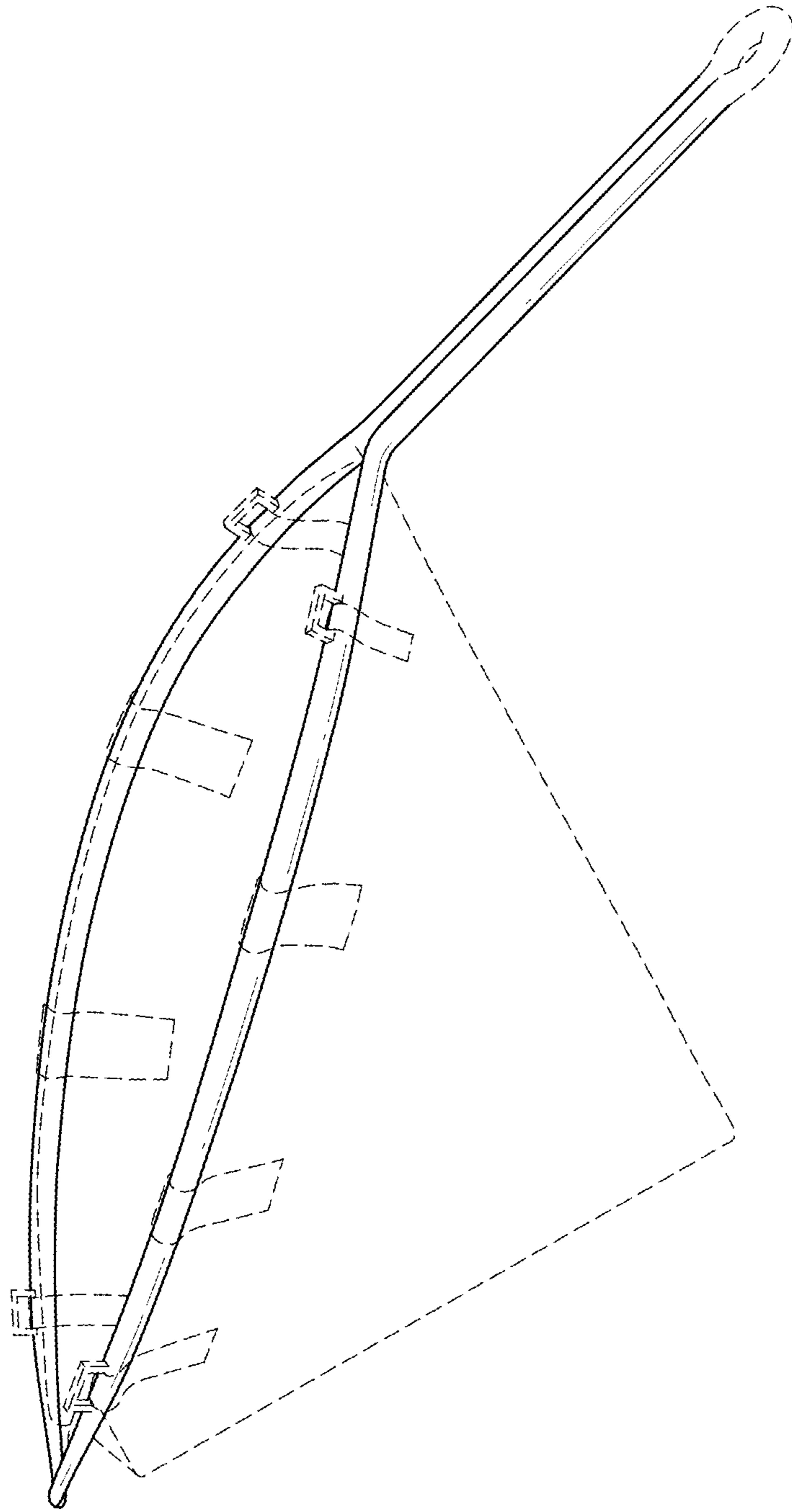


FIG.8

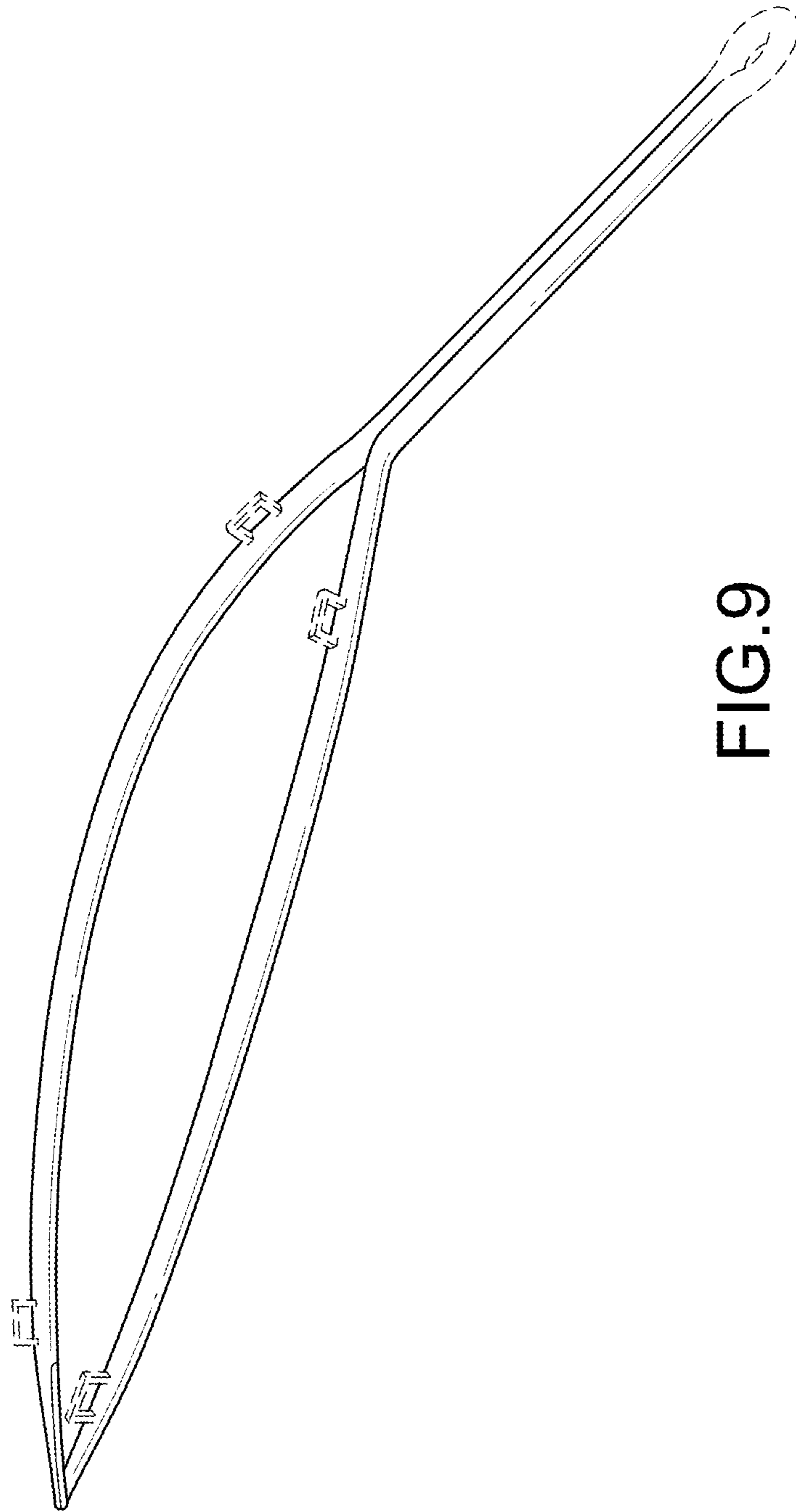


FIG. 9

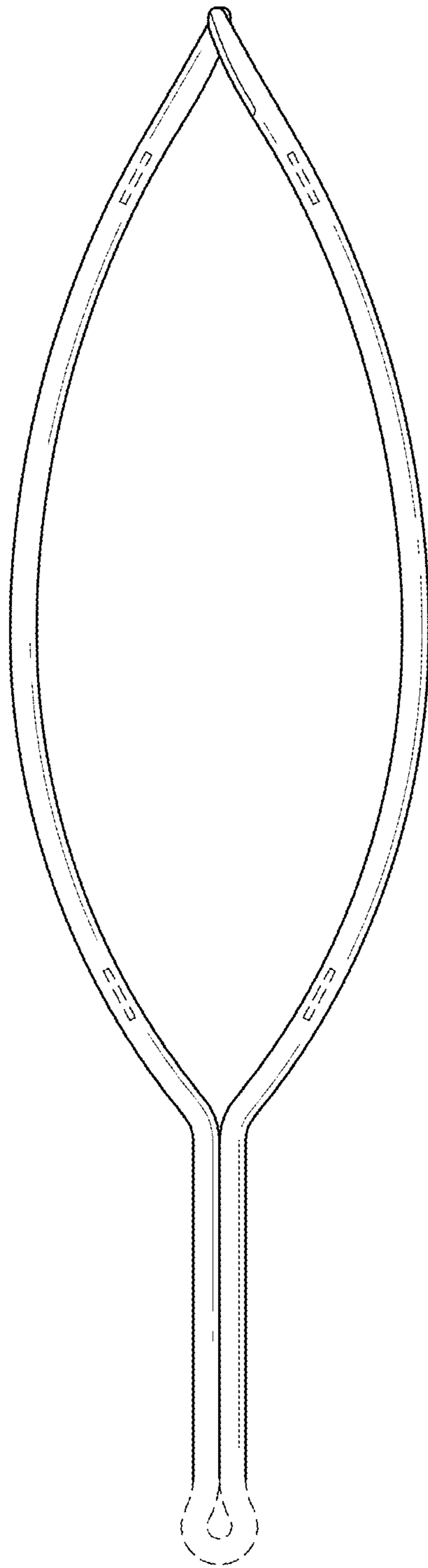


FIG. 10

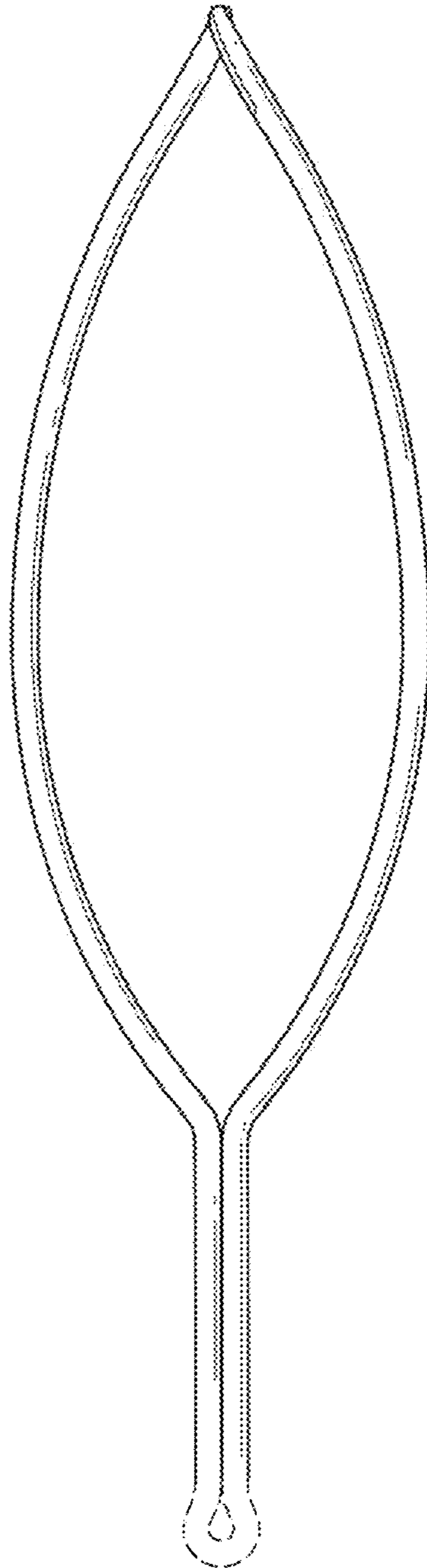


FIG.11

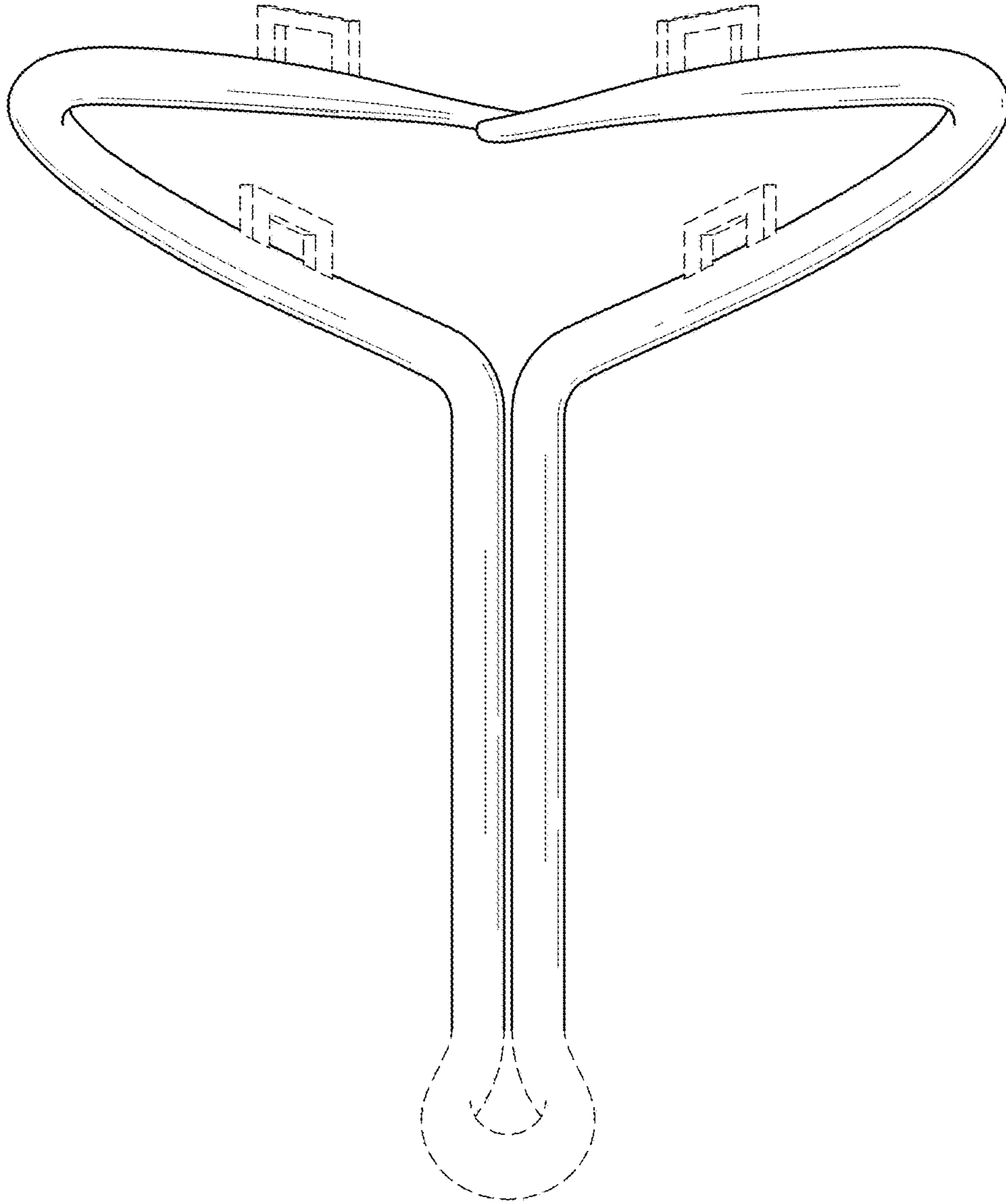


FIG.12

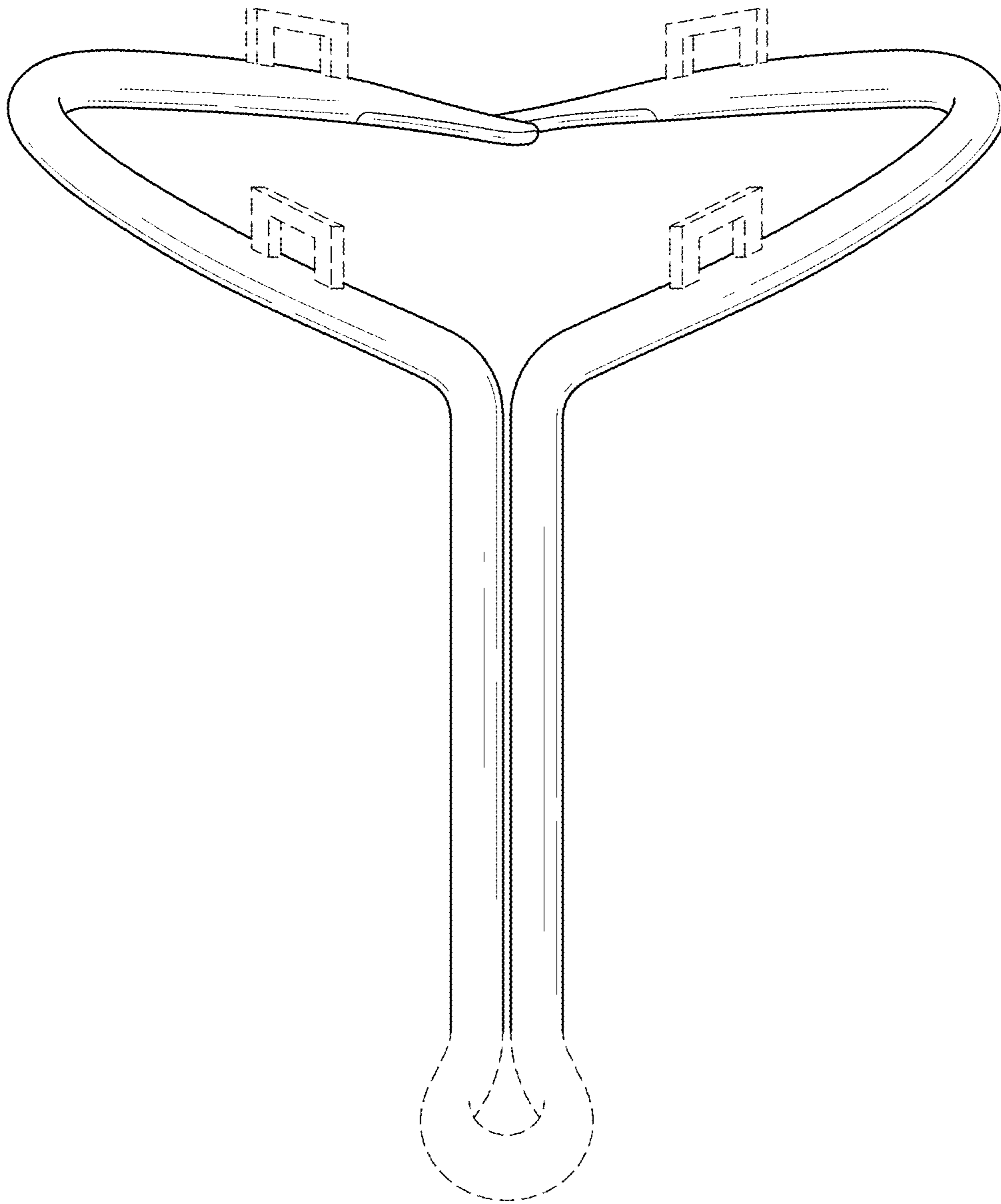


FIG.13

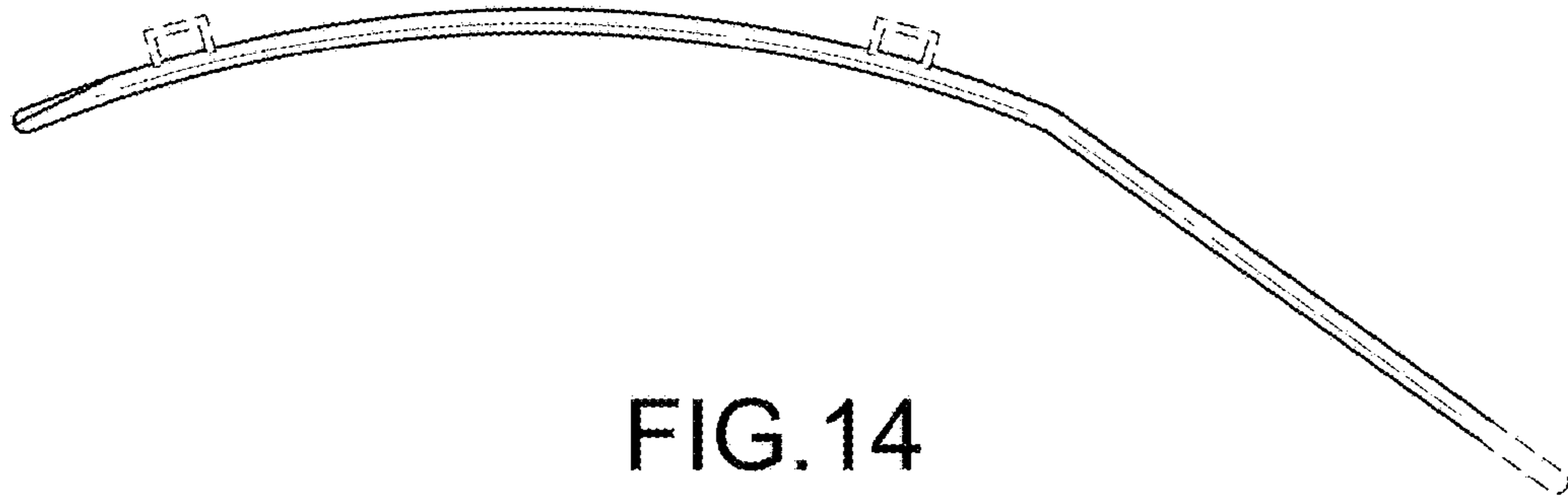


FIG. 14

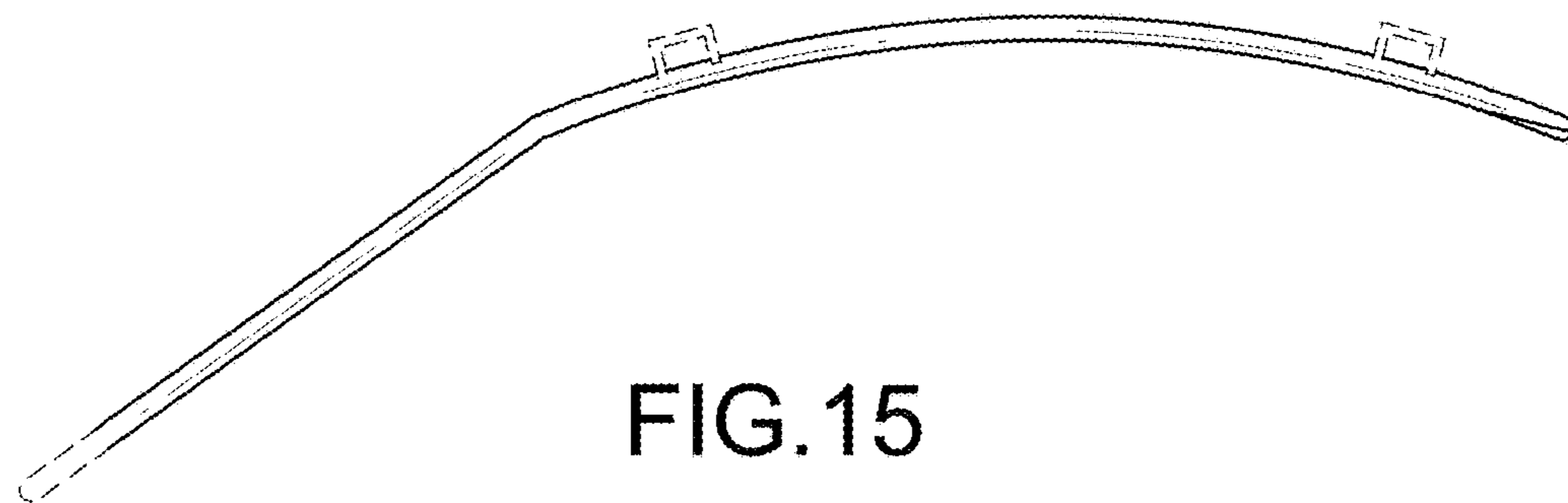


FIG. 15