



US00D794401S

(12) **United States Design Patent** (10) **Patent No.:** **US D794,401 S**  
**Chen** (45) **Date of Patent:** **\*\* Aug. 15, 2017**

(54) **BEVERAGE EXTRACTION DEVICE**

(71) Applicant: **CHOUKI international company LTD.**, Taipei (TW)

(72) Inventor: **Kun-Chih Chen**, Taipei (TW)

(73) Assignee: **CHOUKI INTERNATIONAL COMPANY LTD.**, Taipei (TW)

(\*\*) Term: **15 Years**

(21) Appl. No.: **29/551,418**

(22) Filed: **Jan. 13, 2016**

(51) **LOC (10) Cl.** ..... **07-01**

(52) **U.S. Cl.**  
USPC ..... **D7/665**; D7/306; D7/311; D7/300;  
D7/305

(58) **Field of Classification Search**

USPC .... D7/305-311, 313, 300, 665; D15/82, 69;  
222/129.1, 146.6; 99/295; D8/50  
CPC ..... A47J 31/44; A47J 31/4403; A47J 31/46;  
A47J 31/4482; A47J 31/369; A47J  
31/407; A47J 31/60; B67D 1/36; B67D  
2210/0065; B67D 1/0864; B67D 3/0061  
See application file for complete search history.

(56) **References Cited**

**U.S. PATENT DOCUMENTS**

D188,358 S \* 7/1960 Garcia ..... D15/69  
D578,553 S \* 10/2008 Inada ..... D15/69  
D594,481 S \* 6/2009 Inada ..... D15/69

D672,187 S \* 12/2012 Milewski ..... D7/306  
D717,578 S \* 11/2014 Lazaris ..... D7/300  
9,169,588 B2 \* 10/2015 Tokura ..... D05B 19/12  
D760,529 S \* 7/2016 Hakansson ..... D7/306  
D765,149 S \* 8/2016 Yamamoto ..... D15/69  
9,422,655 B2 \* 8/2016 Tashiro ..... D05B 73/04  
9,534,326 B2 \* 1/2017 Tokura ..... D05B 19/08  
D778,125 S \* 2/2017 Metaxatos ..... D7/665  
9,624,611 B2 \* 4/2017 Nakajima ..... D05B 47/04  
D786,035 S \* 5/2017 Kuo ..... D8/50

\* cited by examiner

*Primary Examiner* — Marianne Pandozzi

(74) *Attorney, Agent, or Firm* — Birch, Stewart, Kolasch & Birch, LLP

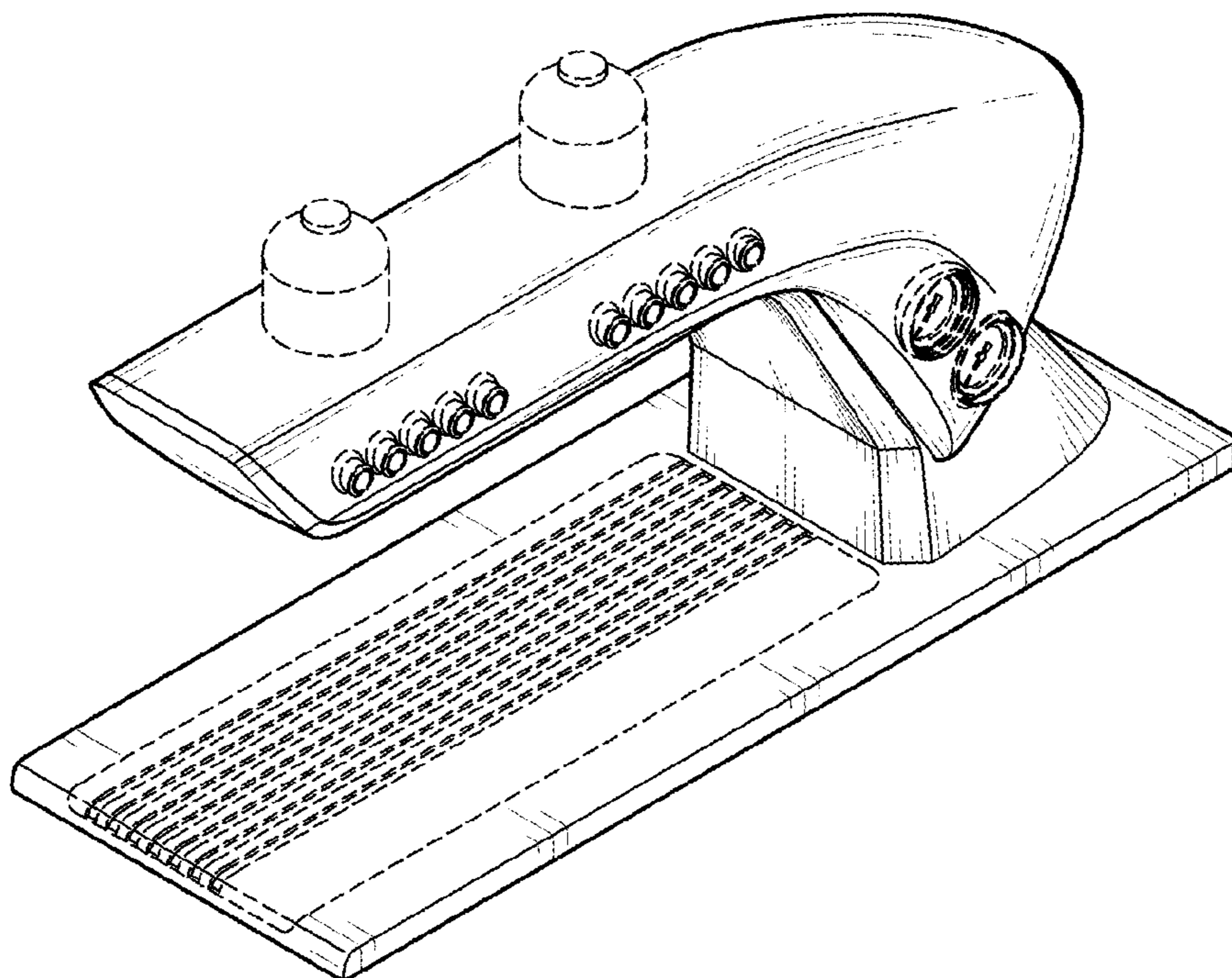
(57) **CLAIM**

The ornamental design for a beverage extraction device, as shown and described.

**DESCRIPTION**

FIG. 1 is a front, right perspective view of a beverage extraction device showing my new design;  
FIG. 2 is a front view thereof;  
FIG. 3 is a rear view thereof;  
FIG. 4 is a left side view thereof;  
FIG. 5 is a right side view thereof;  
FIG. 6 is a top view thereof;  
FIG. 7 is a bottom view thereof; and,  
FIG. 8 is a bottom, left perspective view thereof.  
The broken lines in the drawing depict portions of the beverage extraction device that form no part of the claimed design.

**1 Claim, 8 Drawing Sheets**



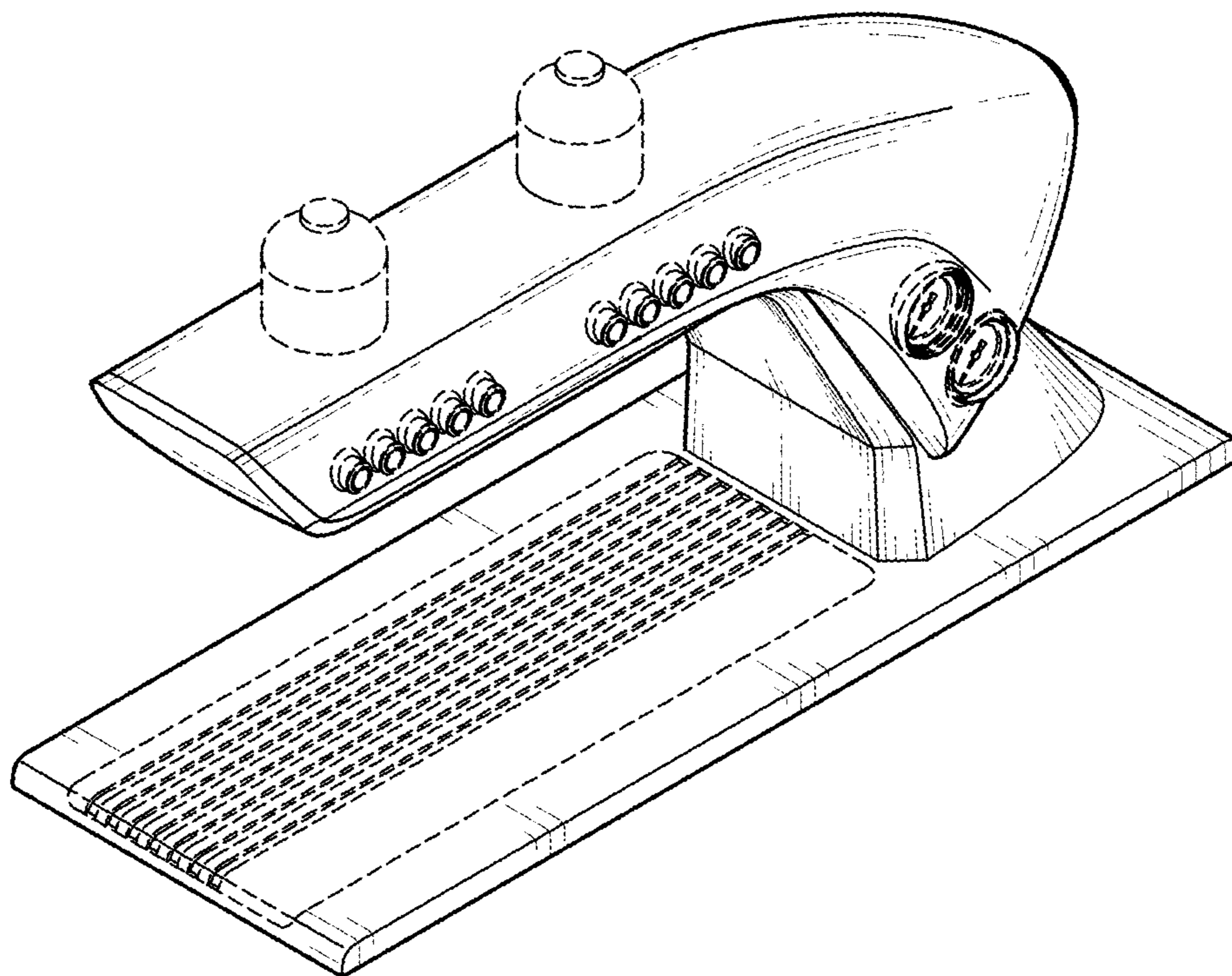


FIG. 1

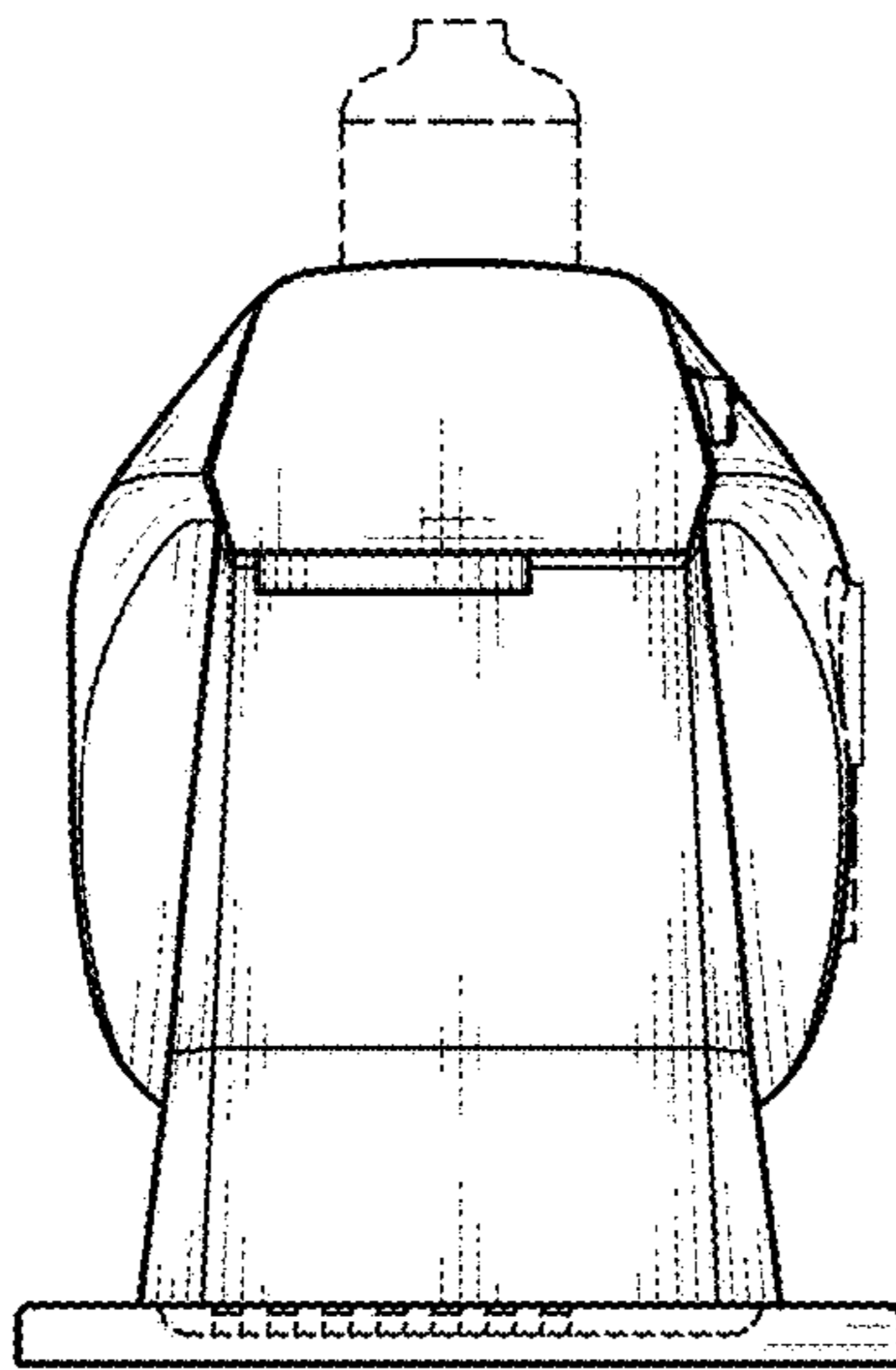
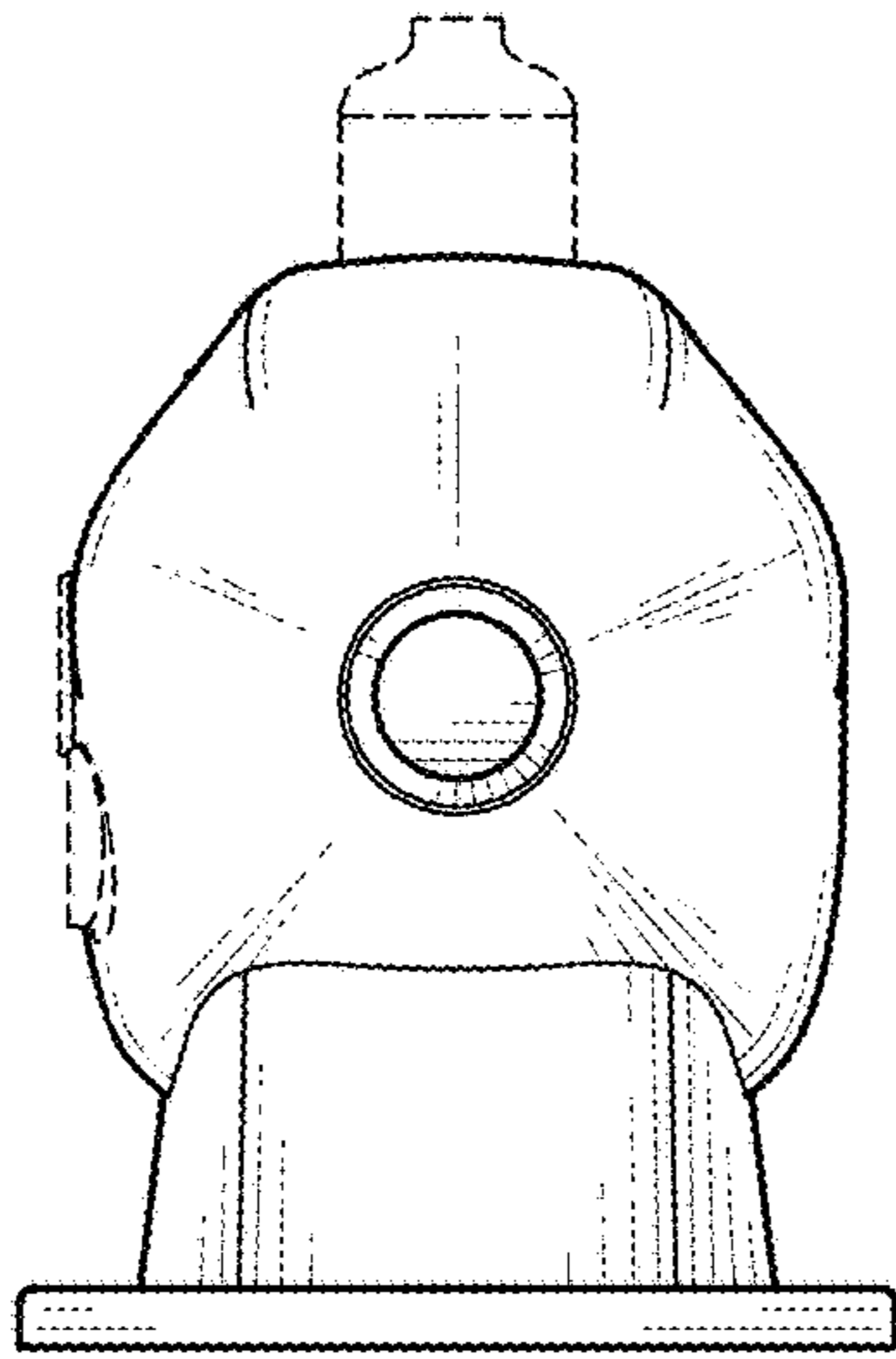


FIG. 2



*FIG. 3*

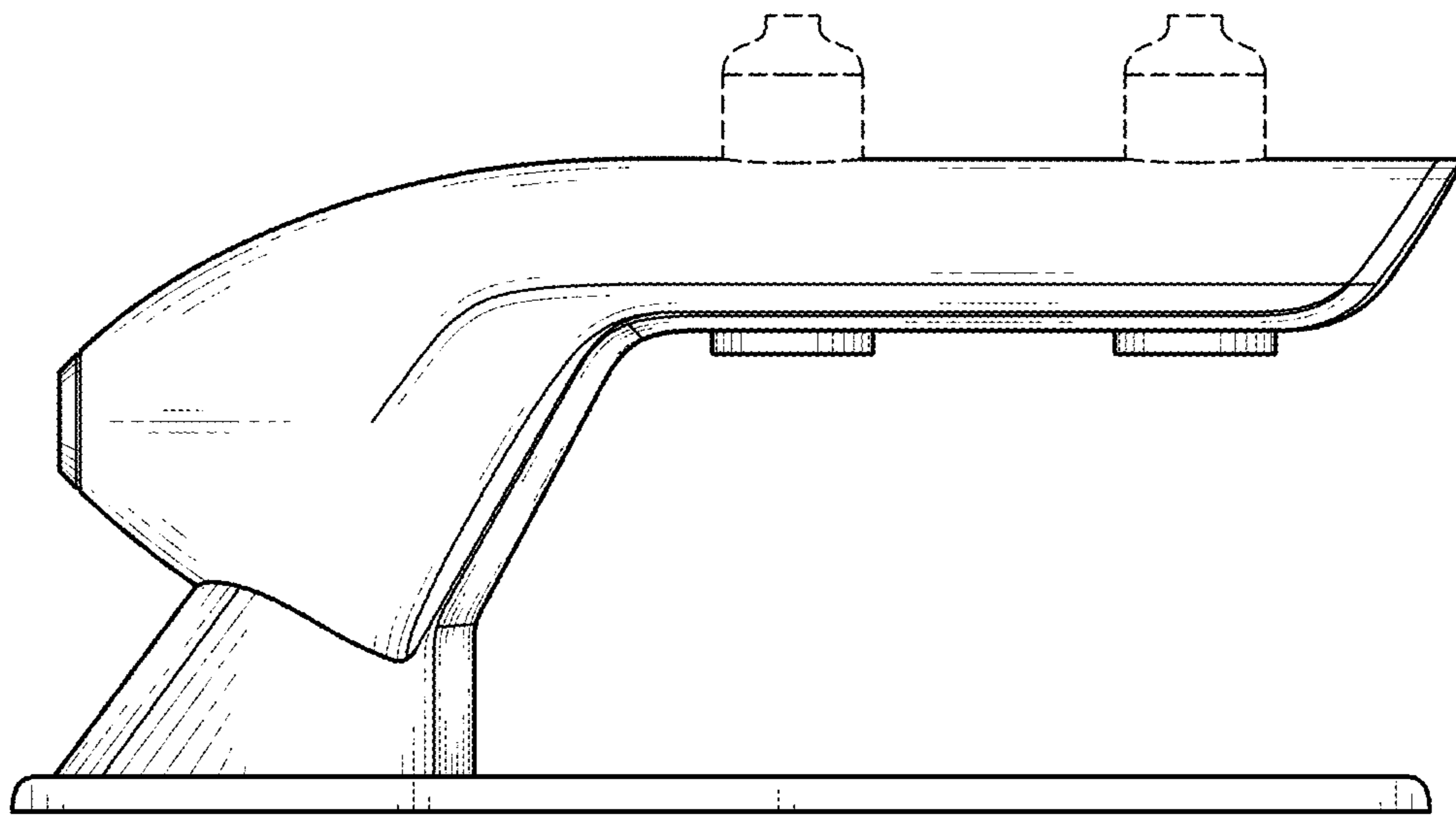


FIG. 4

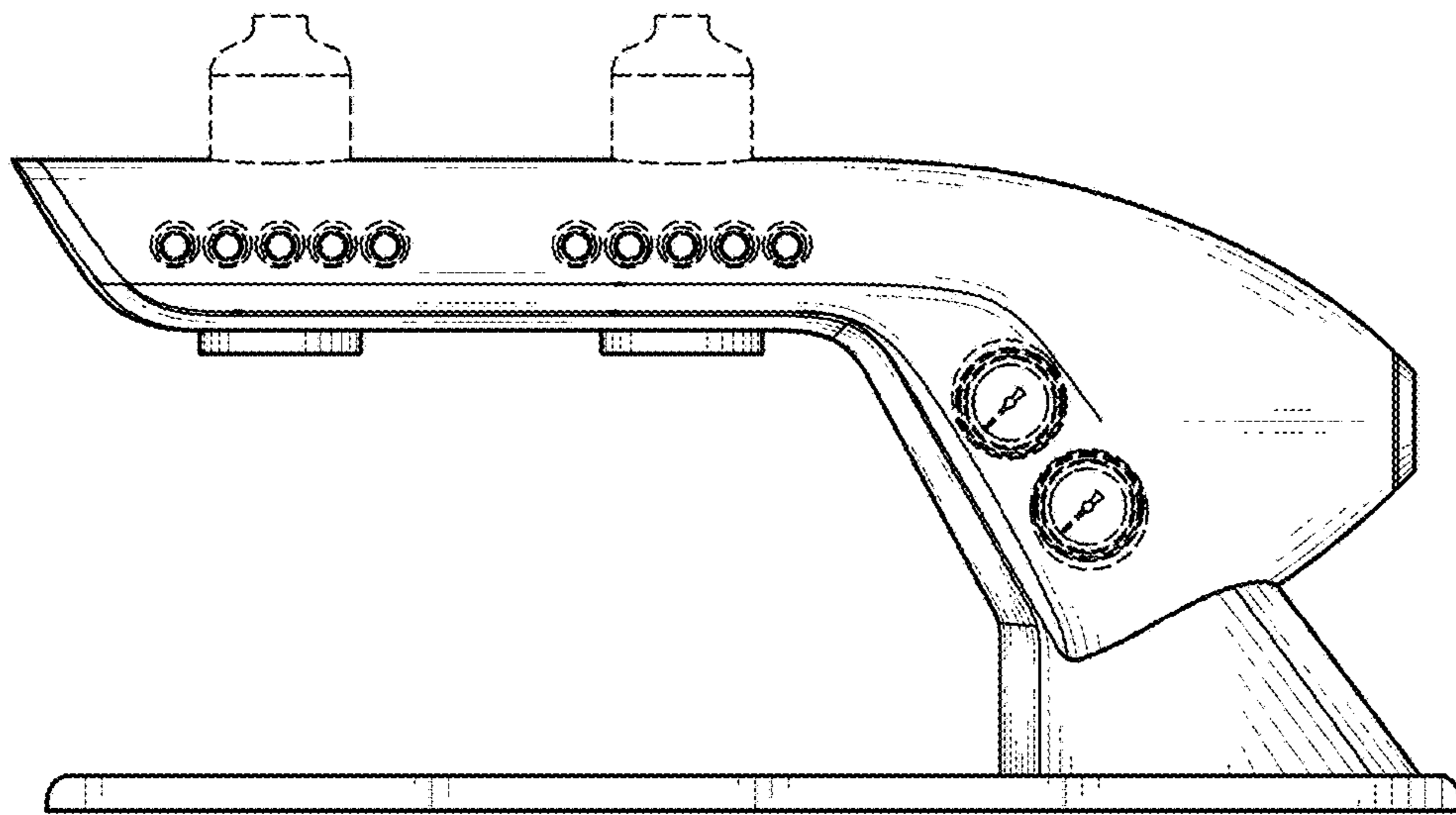


FIG. 5

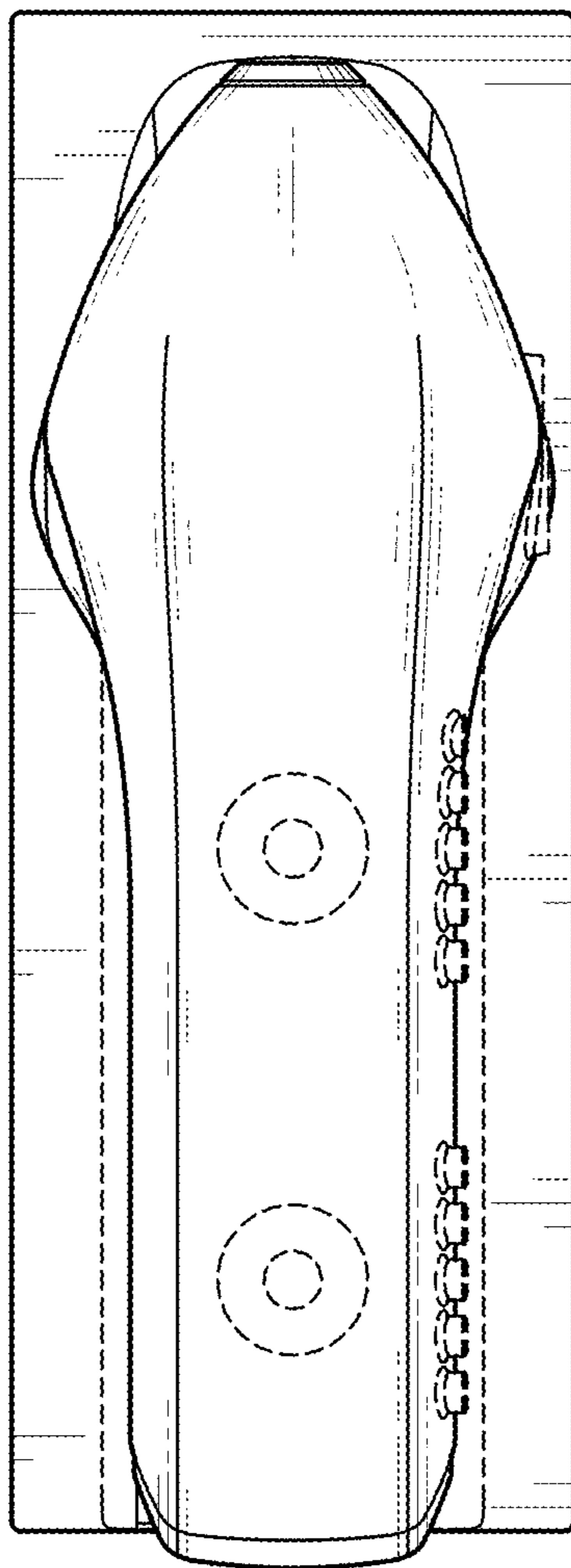


FIG. 6

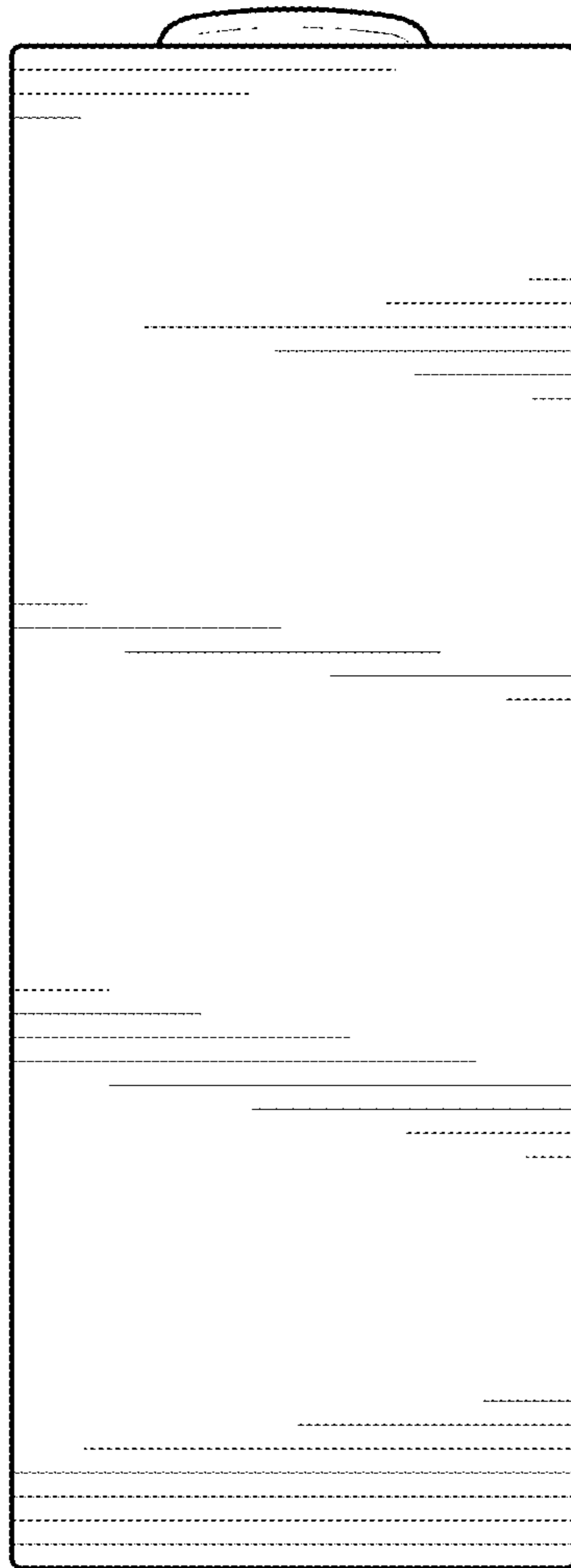


FIG. 7



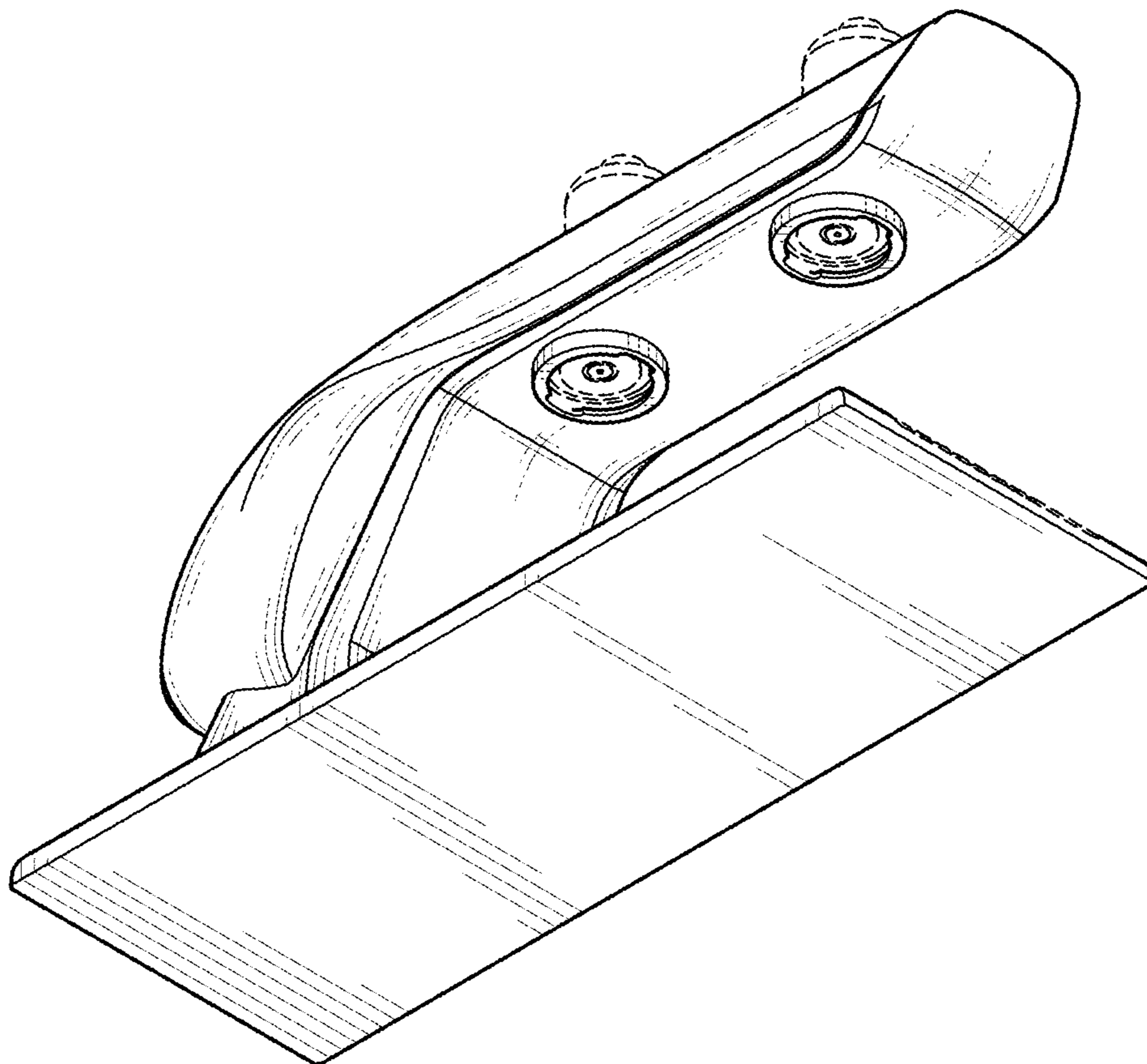


FIG. 8