



US00D794400S

(12) **United States Design Patent**  
**Young**

(10) **Patent No.:** **US D794,400 S**

(45) **Date of Patent:** **\*\* Aug. 15, 2017**

(54) **COMPAC EATING UTENSILS WITH STORAGE**

(71) Applicant: **Kenneth D. Young**, Arbutle, CA (US)

(72) Inventor: **Kenneth D. Young**, Arbutle, CA (US)

(\*\*) Term: **15 Years**

(21) Appl. No.: **29/556,135**

(22) Filed: **Feb. 26, 2016**

(51) **LOC (10) Cl.** ..... **07-03**

(52) **U.S. Cl.**

USPC ..... **D7/643**; D7/644; D7/653

(58) **Field of Classification Search**

USPC ..... D7/368, 401.2, 642-645, 653-664, 669,  
D7/675-677, 683, 688-689, 691;  
D8/107, 300-301; D22/117-118

CPC ... A01D 9/02; A01D 9/04; A01D 9/06; A47G  
21/00; A47G 21/004; A47G 21/005;  
A47G 21/02; A47G 21/023; A47G 21/04;  
A47G 21/06; A47G 21/08; A47J 43/28;  
A47J 43/281; A47J 43/282; A61F 13/10;  
A61J 7/0023; B25G 1/00; B25G 1/01;  
B25G 1/02; B25G 3/00; B65D 75/56;  
B65D 75/563; B65D 75/566; B67B 7/00;  
B67B 7/724; B67B 7/73

See application file for complete search history.

(56) **References Cited**

**U.S. PATENT DOCUMENTS**

- 1,053,387 A \* 2/1913 Hawley ..... A47G 21/06  
30/147
- 4,524,512 A \* 6/1985 Formo ..... A47G 21/06  
30/147
- D318,600 S \* 7/1991 Lillelund ..... D7/643
- D347,975 S \* 6/1994 Zeller ..... D7/642

- 5,845,403 A \* 12/1998 Nivin ..... A47G 21/06  
30/147
- 6,105,259 A \* 8/2000 Meyers ..... A47G 21/02  
30/150
- D509,708 S \* 9/2005 Schmidt ..... D7/645
- D530,986 S \* 10/2006 Lago-Arenas ..... D7/645
- D536,222 S \* 2/2007 Heiberg ..... D7/645
- D625,153 S \* 10/2010 Gallop ..... D7/642
- D722,837 S \* 2/2015 Miksovsky ..... D7/643
- D747,159 S \* 1/2016 Frost ..... D7/643
- 2005/0278958 A1 \* 12/2005 Schmidt ..... A47G 21/06  
30/324

\* cited by examiner

*Primary Examiner* — Ricky Pham

(74) *Attorney, Agent, or Firm* — Law Office of Dorian Cartwright; Dorian Cartwright

(57) **CLAIM**

The ornamental design for compact eating utensils with storage, as shown and described.

**DESCRIPTION**

FIG. 1 is a perspective view of compact eating utensils with storage.

FIG. 2 is a front view of compact eating utensils with storage.

FIG. 3 is a rear view of compact eating utensils with storage.

FIG. 4 is a first side view of compact eating utensils with storage.

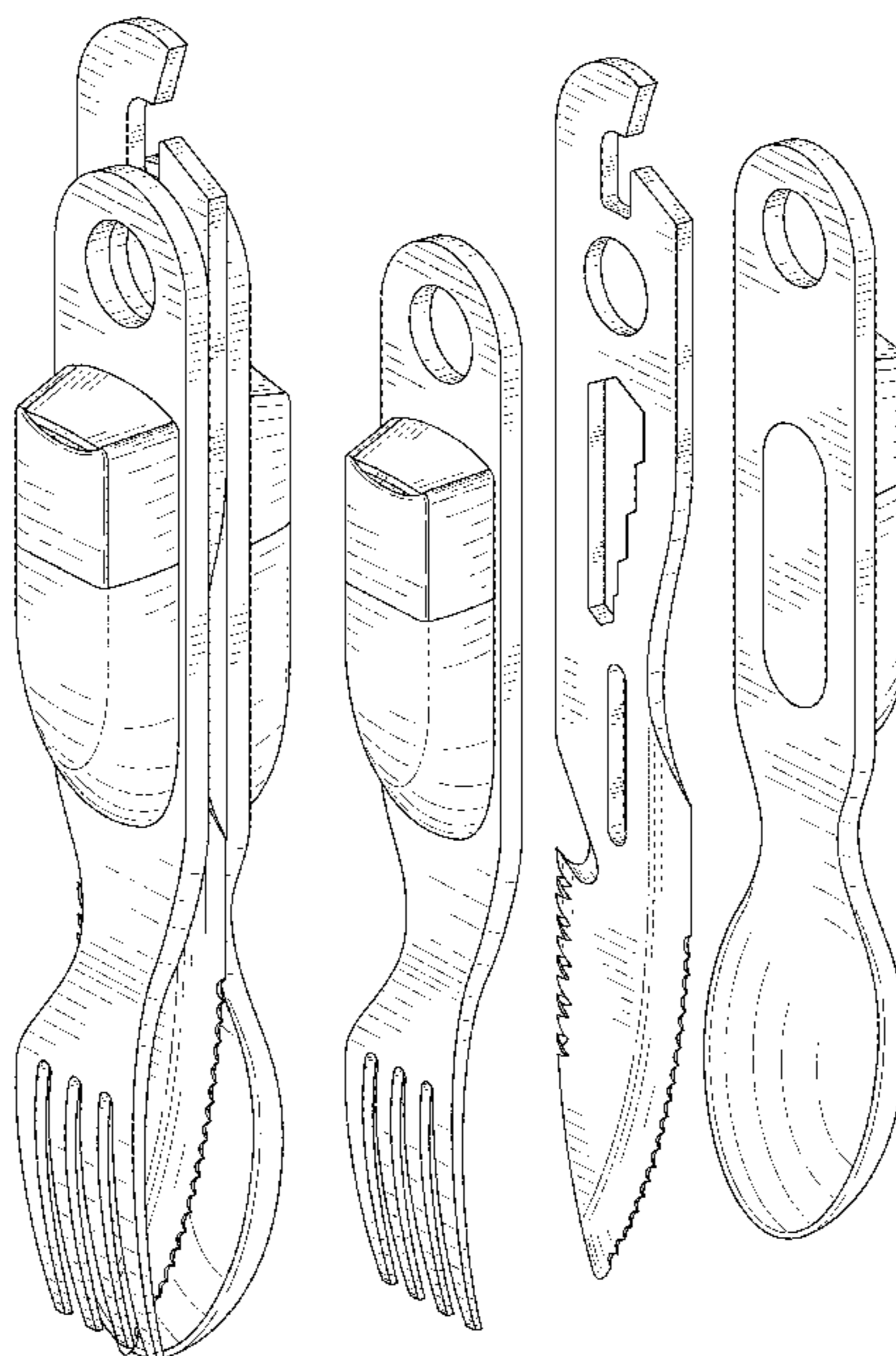
FIG. 5 is a second side view of compact eating utensils with storage.

FIG. 6 is a top view of compact eating utensils with storage.

FIG. 7 is a bottom view of compact eating utensils with storage; and,

FIG. 8 is an exploded view of compact eating utensils with storage.

**1 Claim, 5 Drawing Sheets**



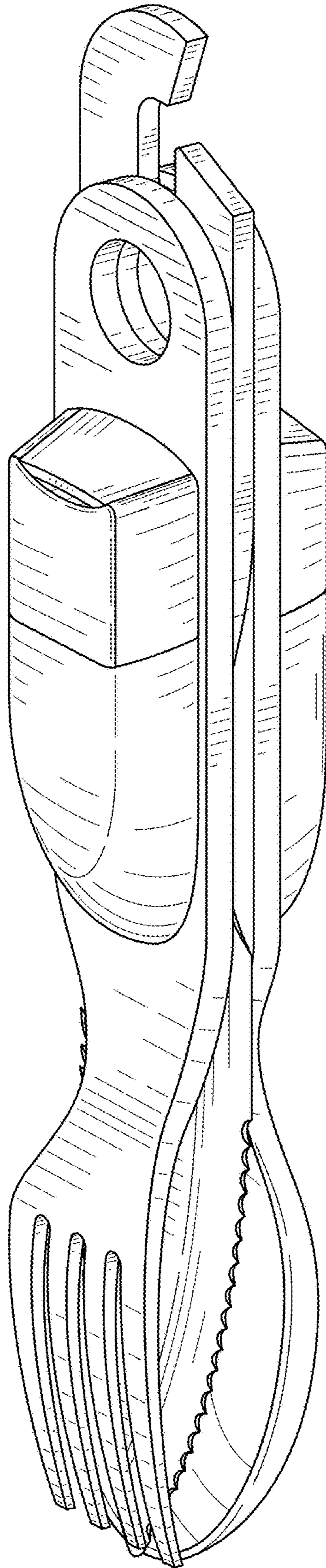
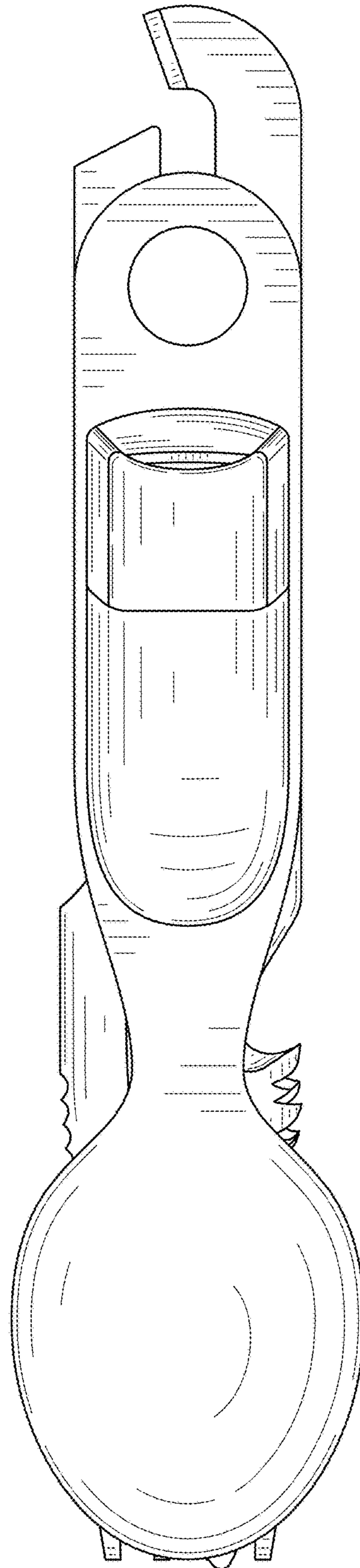
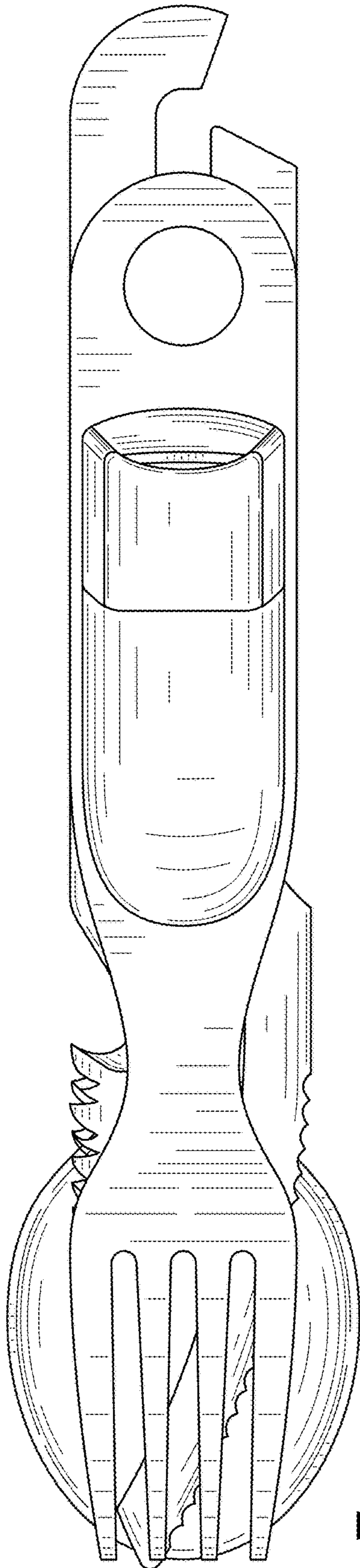


FIG. 1





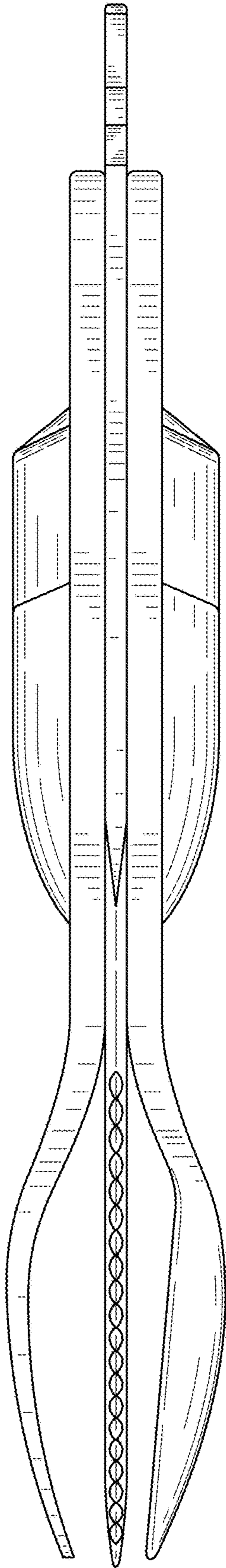


FIG. 4

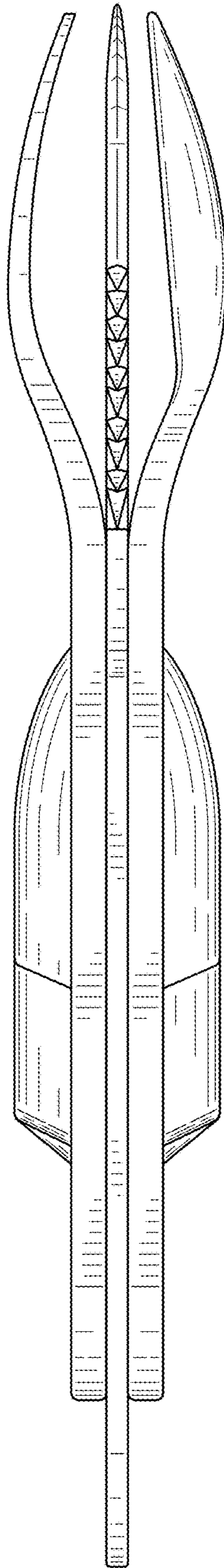


FIG. 5

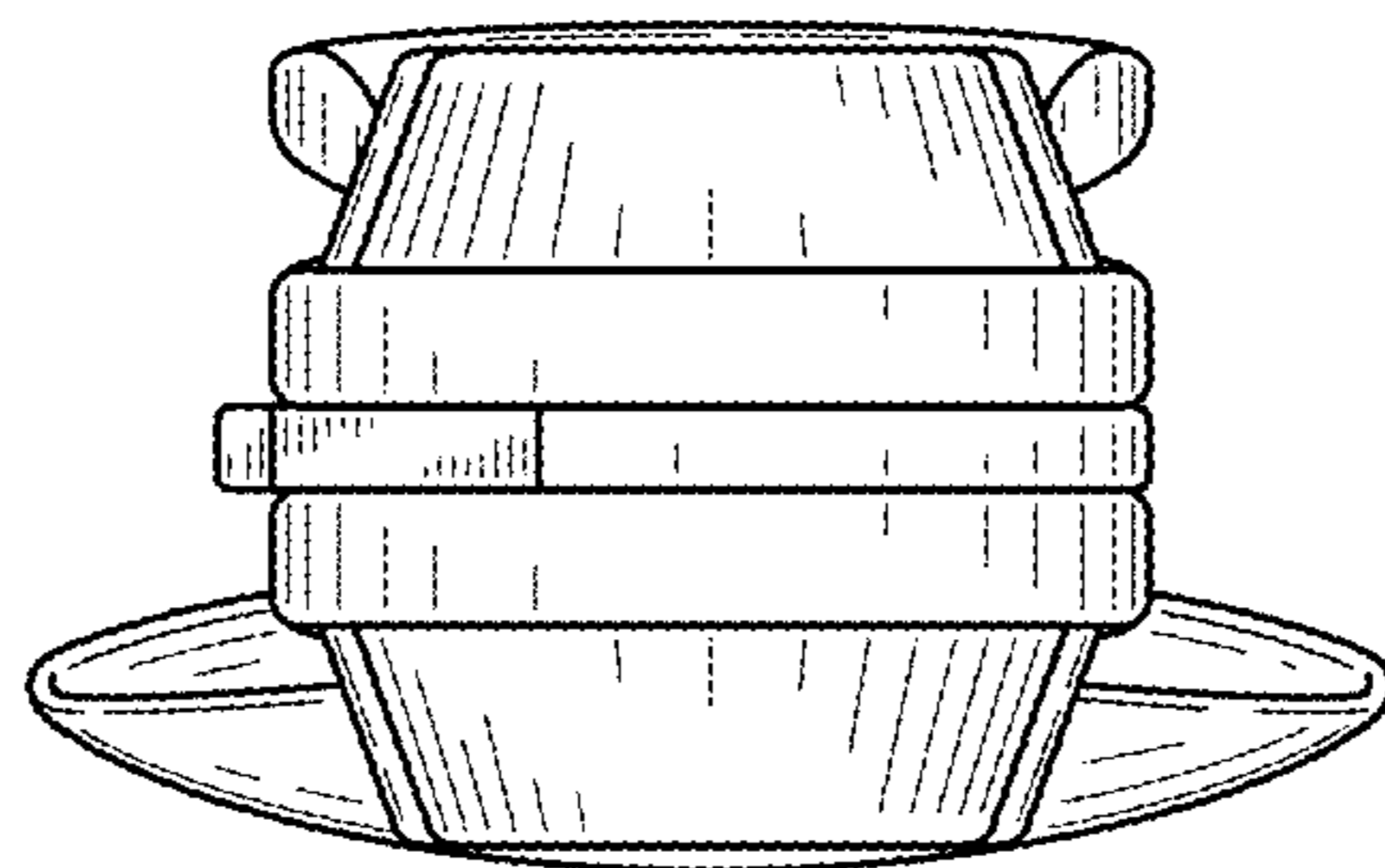


FIG. 6

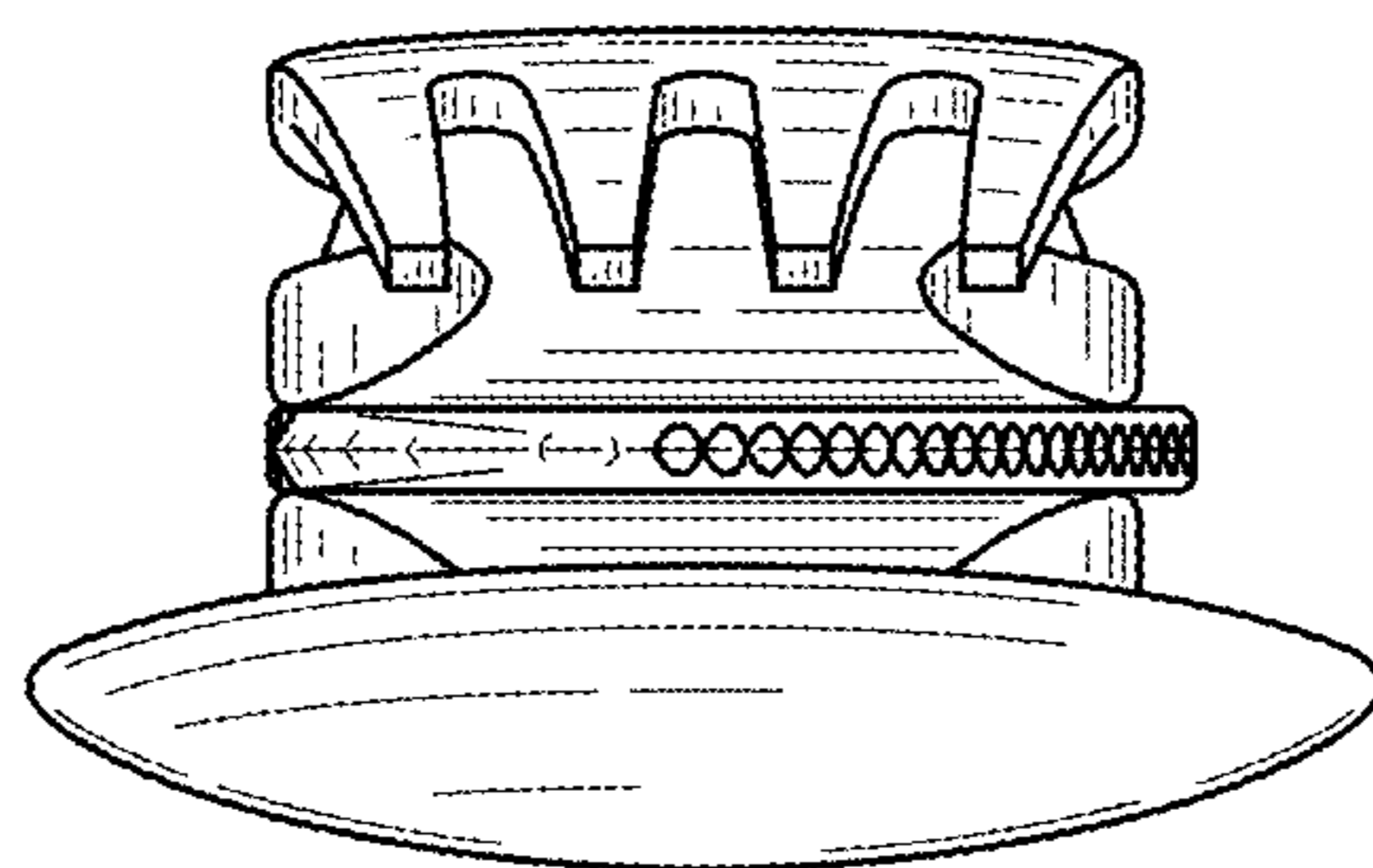


FIG. 7

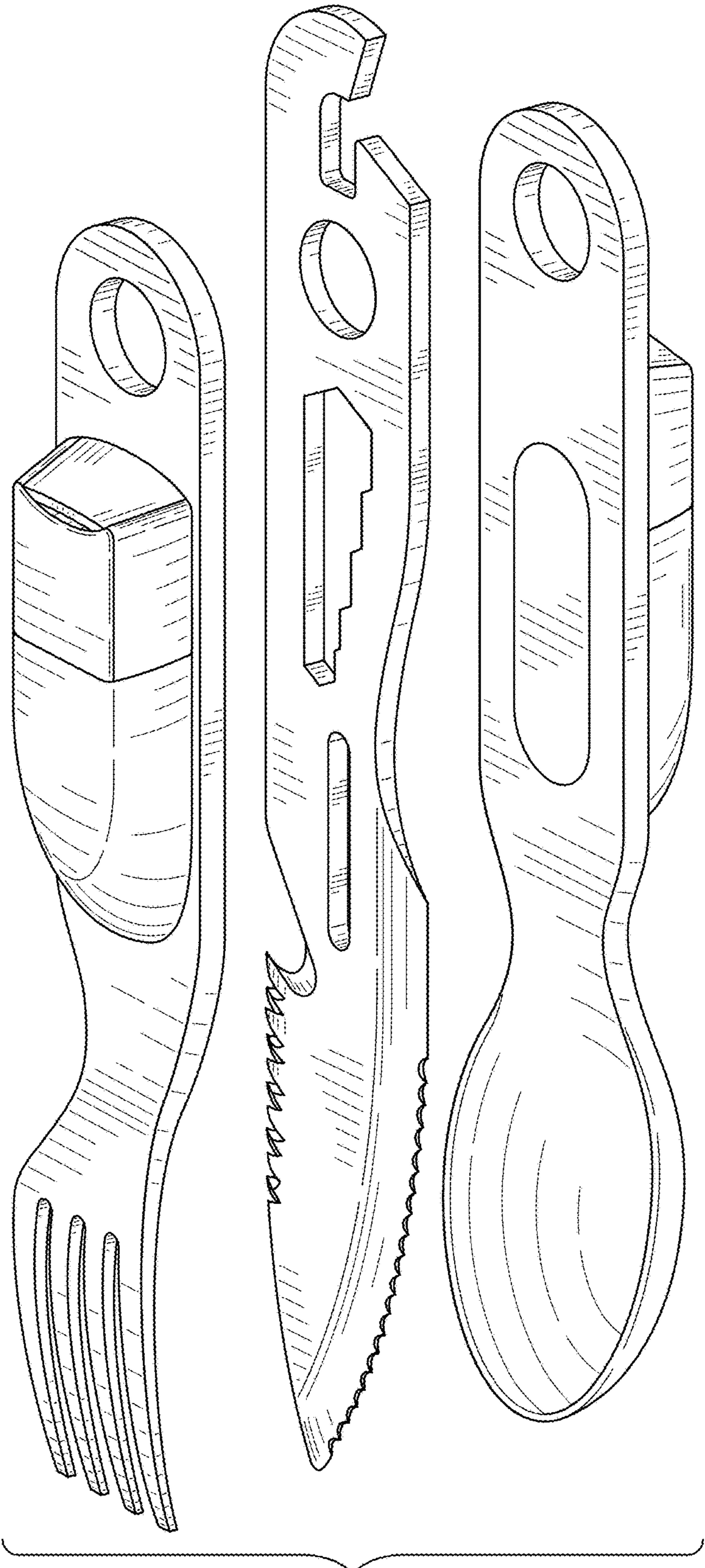


FIG. 8