



US00D794399S

(12) **United States Design Patent**  
**Golden et al.**

(10) **Patent No.:** **US D794,399 S**

(45) **Date of Patent:** **\*\* Aug. 15, 2017**

(54) **CUP SLEEVE**

(71) Applicants: **Maureen Golden**, Milton, VT (US);  
**Michael Randall**, Milton, VT (US)

(72) Inventors: **Maureen Golden**, Milton, VT (US);  
**Michael Randall**, Milton, VT (US)

(73) Assignee: **Goldall, LLC**, Milton, VT (US)

(\*\*) Term: **15 Years**

(21) Appl. No.: **29/542,264**

(22) Filed: **Oct. 13, 2015**

(51) **LOC (10) Cl.** ..... **07-06**

(52) **U.S. Cl.**  
USPC ..... **D7/624.2**

(58) **Field of Classification Search**  
USPC ..... D7/507, 601, 602, 607, 608, 619.1,  
D7/624.1-624.3, 701, 703, 708; D3/202;  
211/41.2, 57.1, 59.2, 66, 74, 94.01, 181.1,  
211/189; 248/220.41, 303, 312.1;  
D9/711

CPC ..... A47B 55/00; A47B 55/02; A47B 73/00;  
A47B 73/002; A47B 73/004; A47B  
73/006; A47B 73/008; A47B 69/00;  
A47G 23/0266; A47J 47/16

See application file for complete search history.

(56) **References Cited**

**U.S. PATENT DOCUMENTS**

6,986,436 B2 \* 1/2006 Smith ..... B65D 25/36  
220/660  
D643,691 S \* 8/2011 Selina ..... D7/607

D643,692 S \* 8/2011 Selina ..... D7/607  
D664,008 S \* 7/2012 Welch ..... D7/606  
D675,880 S \* 2/2013 Welch ..... D7/607  
D703,492 S \* 4/2014 Schmidt ..... D7/608  
D708,483 S \* 7/2014 Gut ..... D7/624.2  
2012/0024875 A1 \* 2/2012 Zerda ..... B65D 81/3886  
220/739

\* cited by examiner

*Primary Examiner* — Keli L Hill

(74) *Attorney, Agent, or Firm* — Justin W. McCabe;  
Dunkiel Saunders Elliott Raubvogel & Hand, PLLC

(57) **CLAIM**

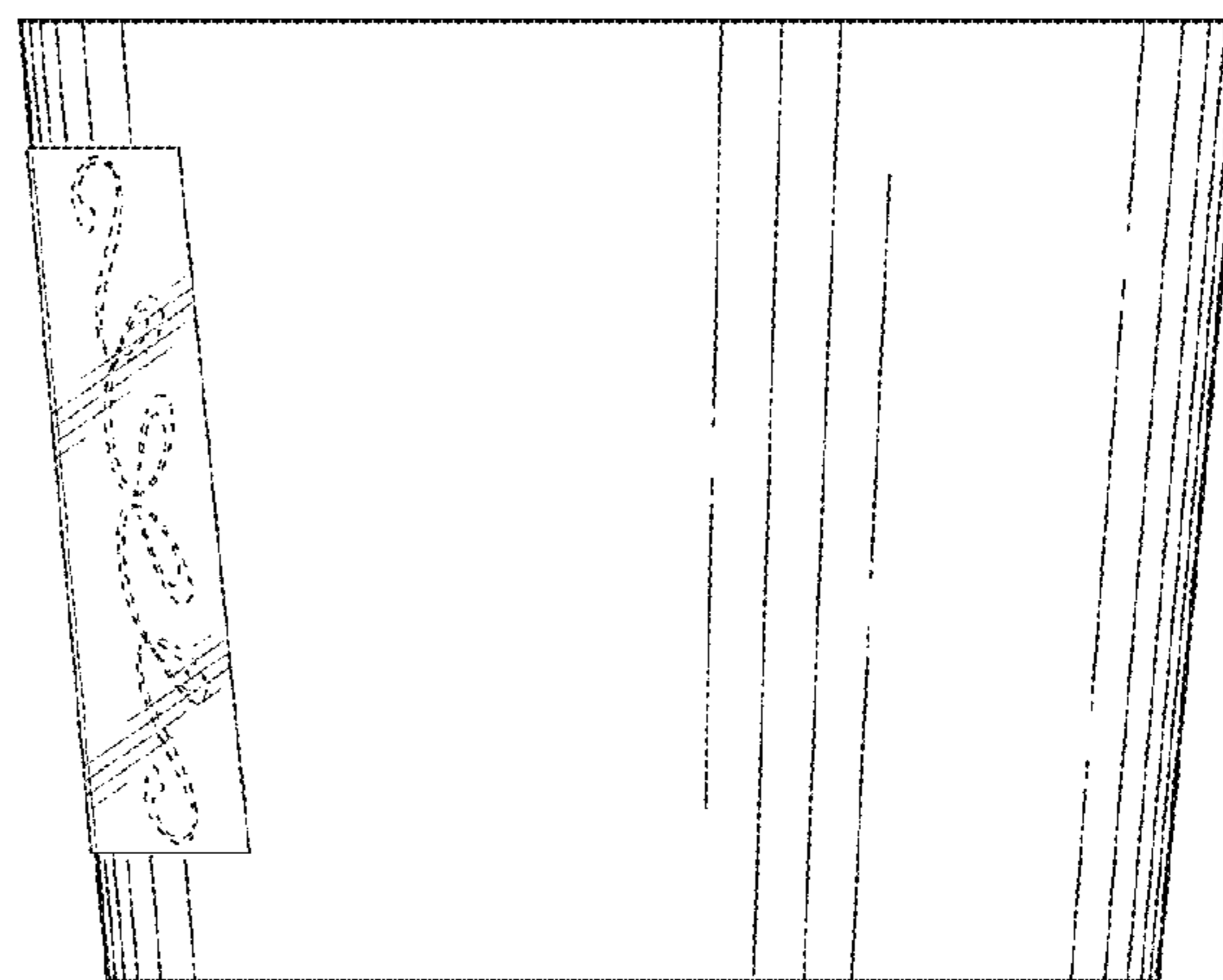
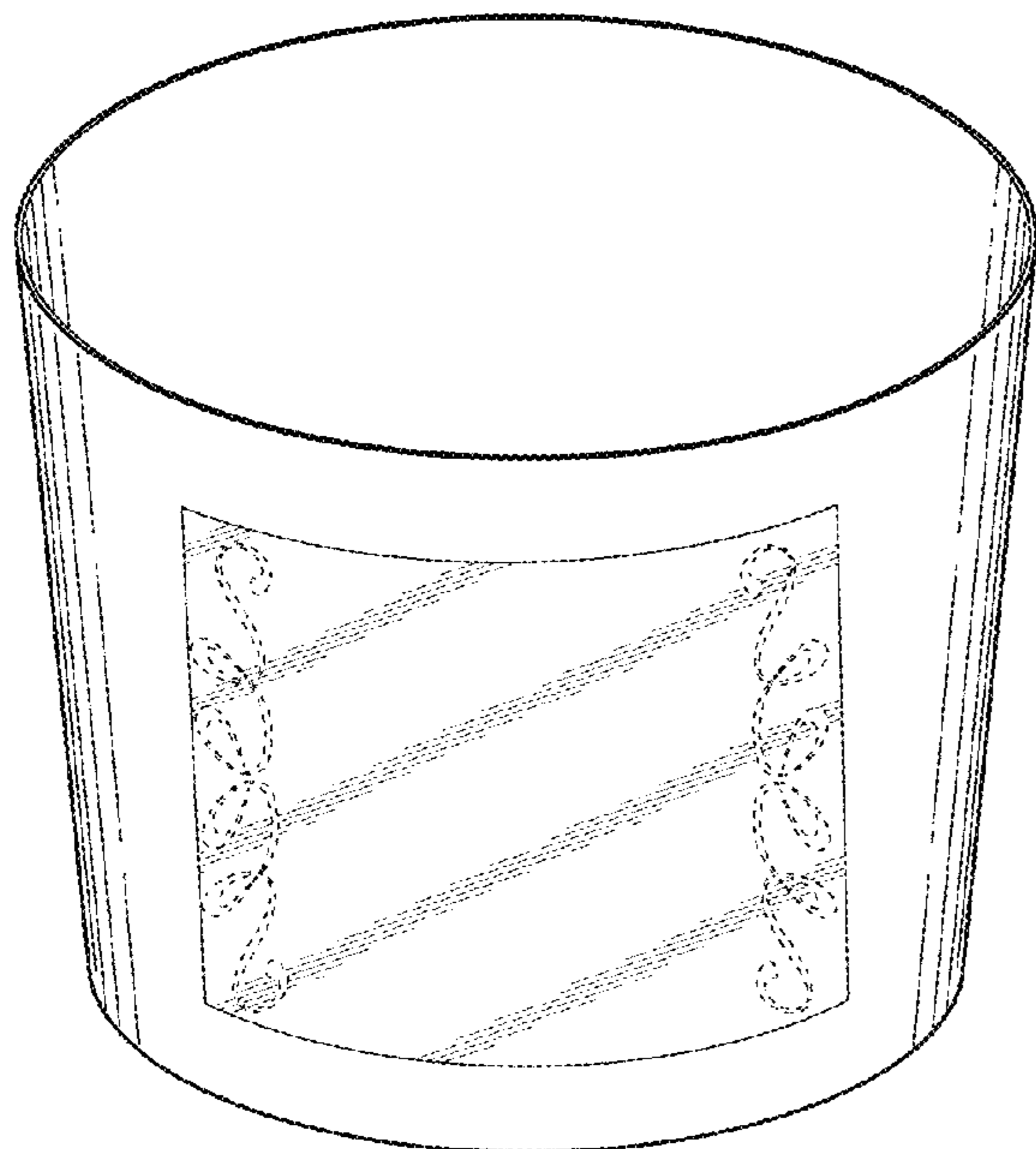
The ornamental design for a cup sleeve, as shown and described.

**DESCRIPTION**

FIG. 1 is a perspective view of the cup sleeve;  
FIG. 2 is a bottom view thereof;  
FIG. 3 is a top view thereof;  
FIG. 4 is a front view thereof;  
FIG. 5 is a rear view thereof;  
FIG. 6 is a right view thereof;  
FIG. 7 is a left view thereof; and,  
FIG. 8 is another perspective view of the cup sleeve of FIG. 1 in use.

The dashed lines are included for the purpose of illustrating portions of the cup sleeve or environment that form no part of the claimed design.

**1 Claim, 5 Drawing Sheets**



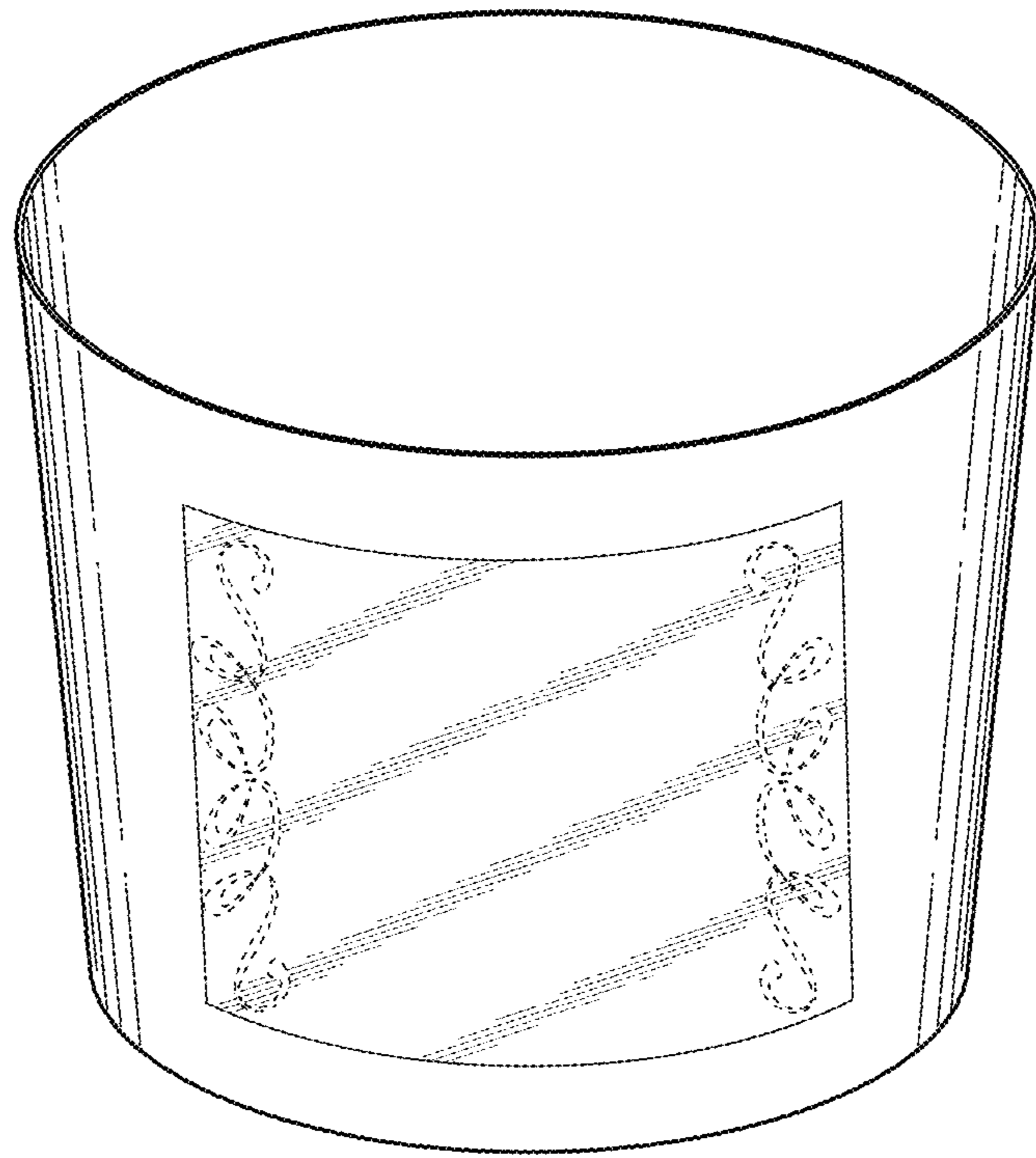


FIG. 1

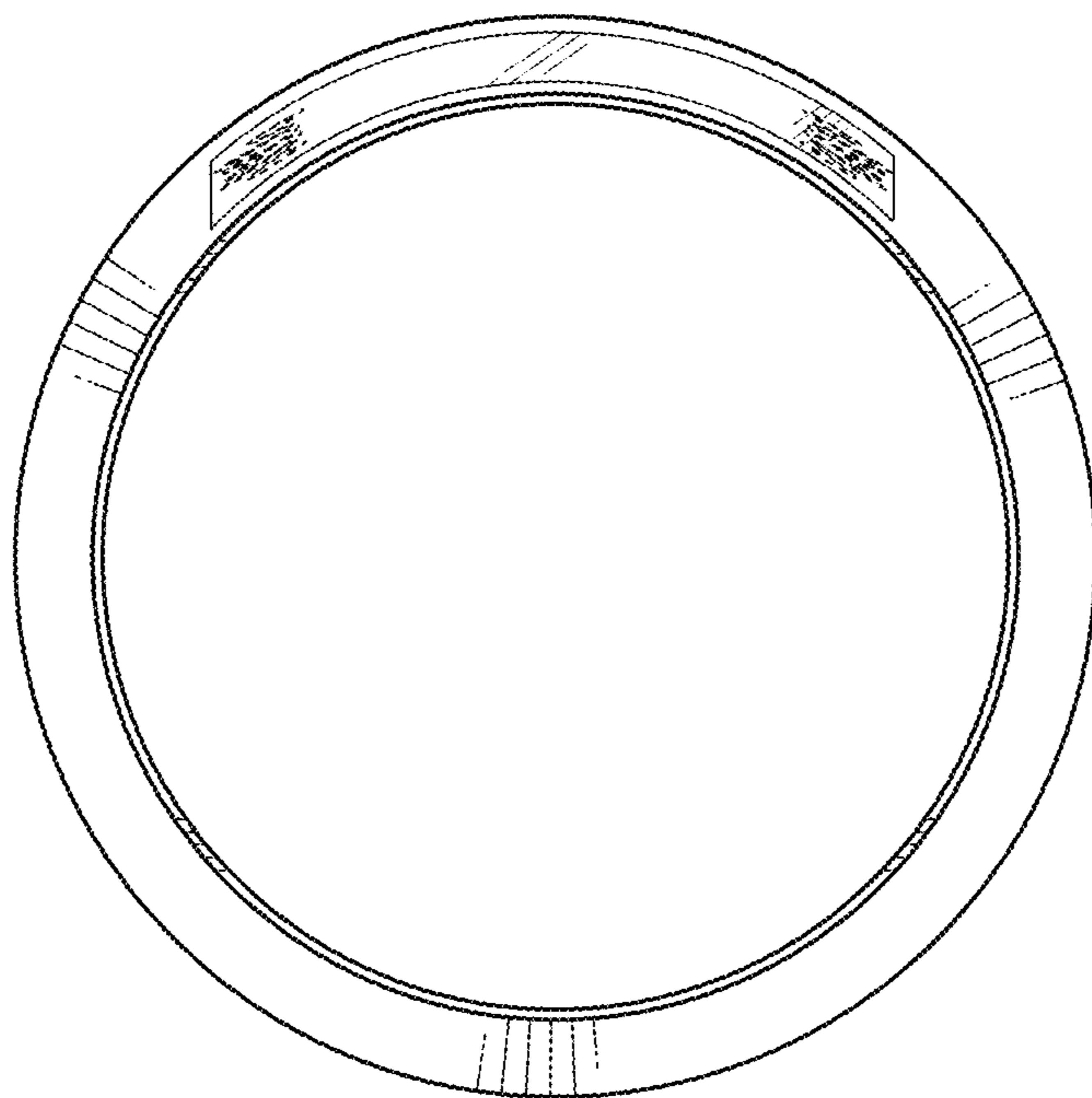


FIG. 2

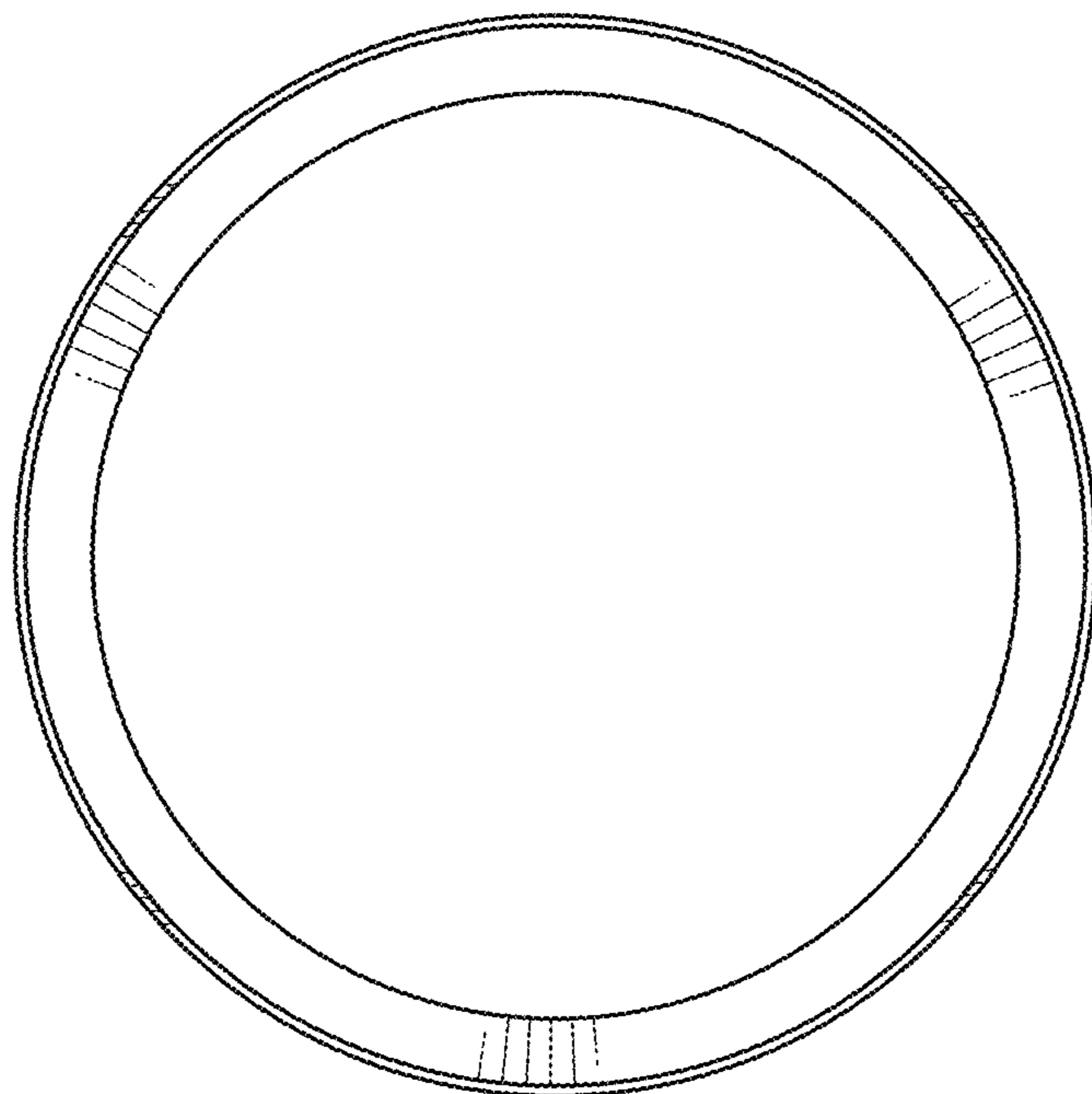


FIG. 3

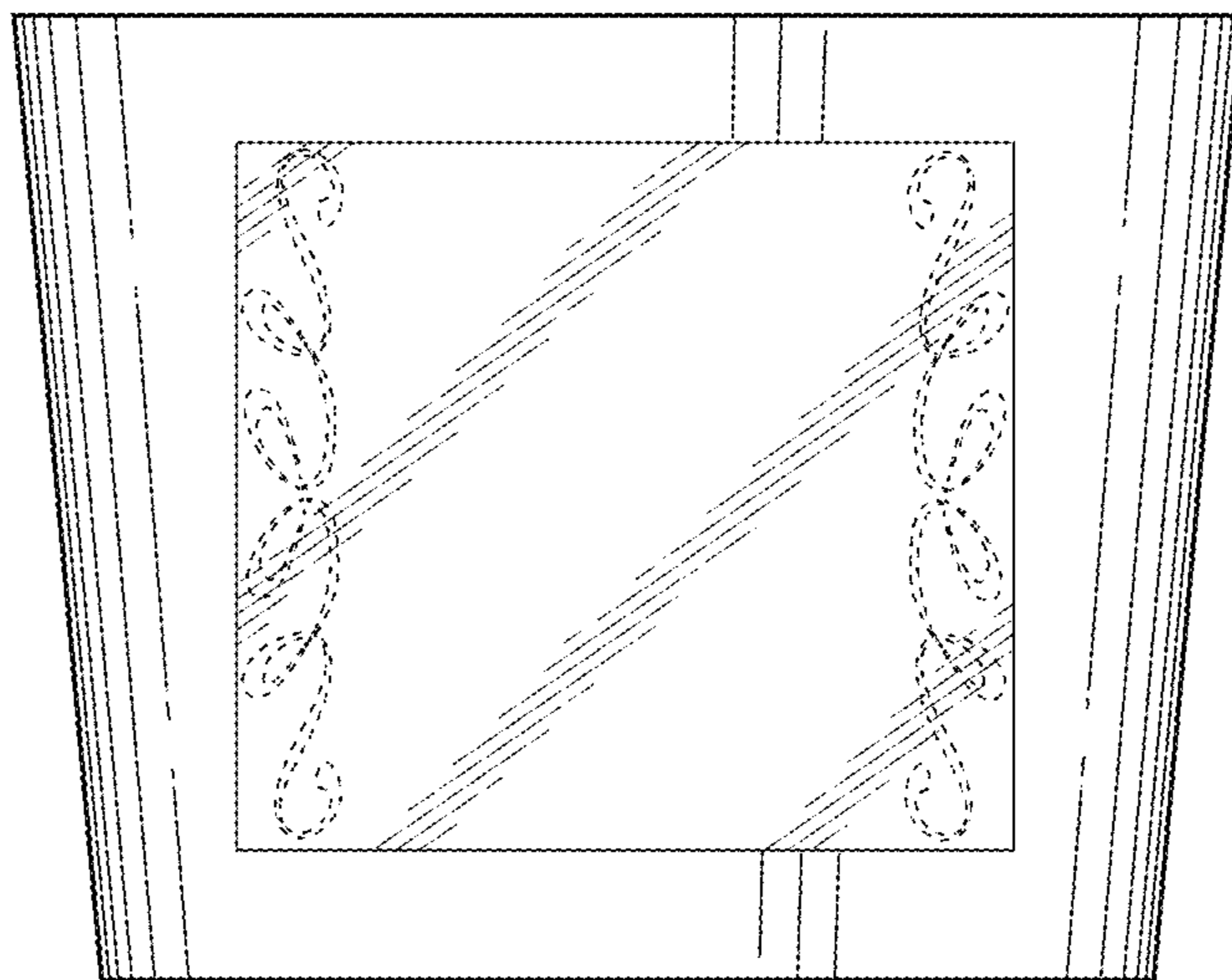


FIG. 4

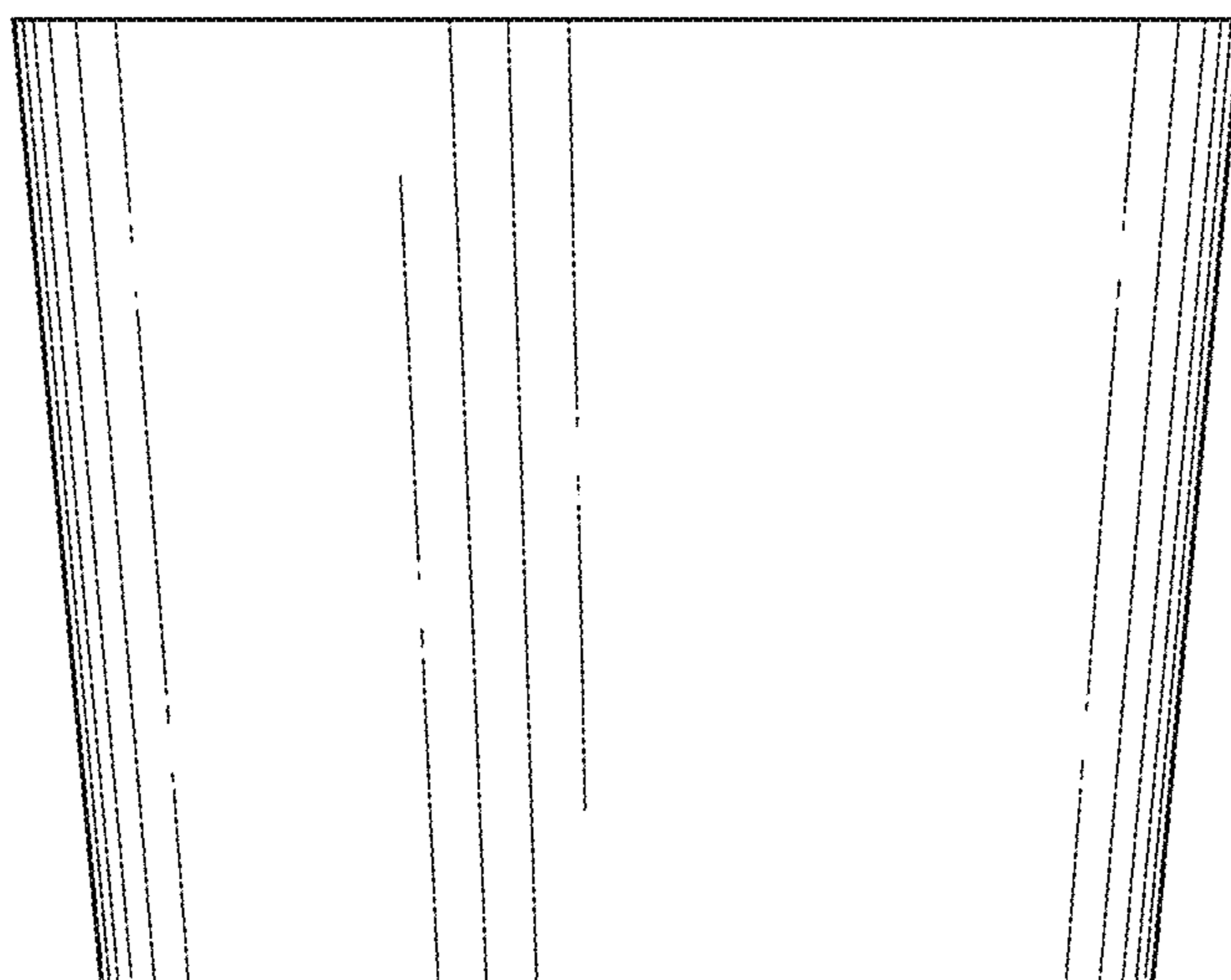


FIG. 5

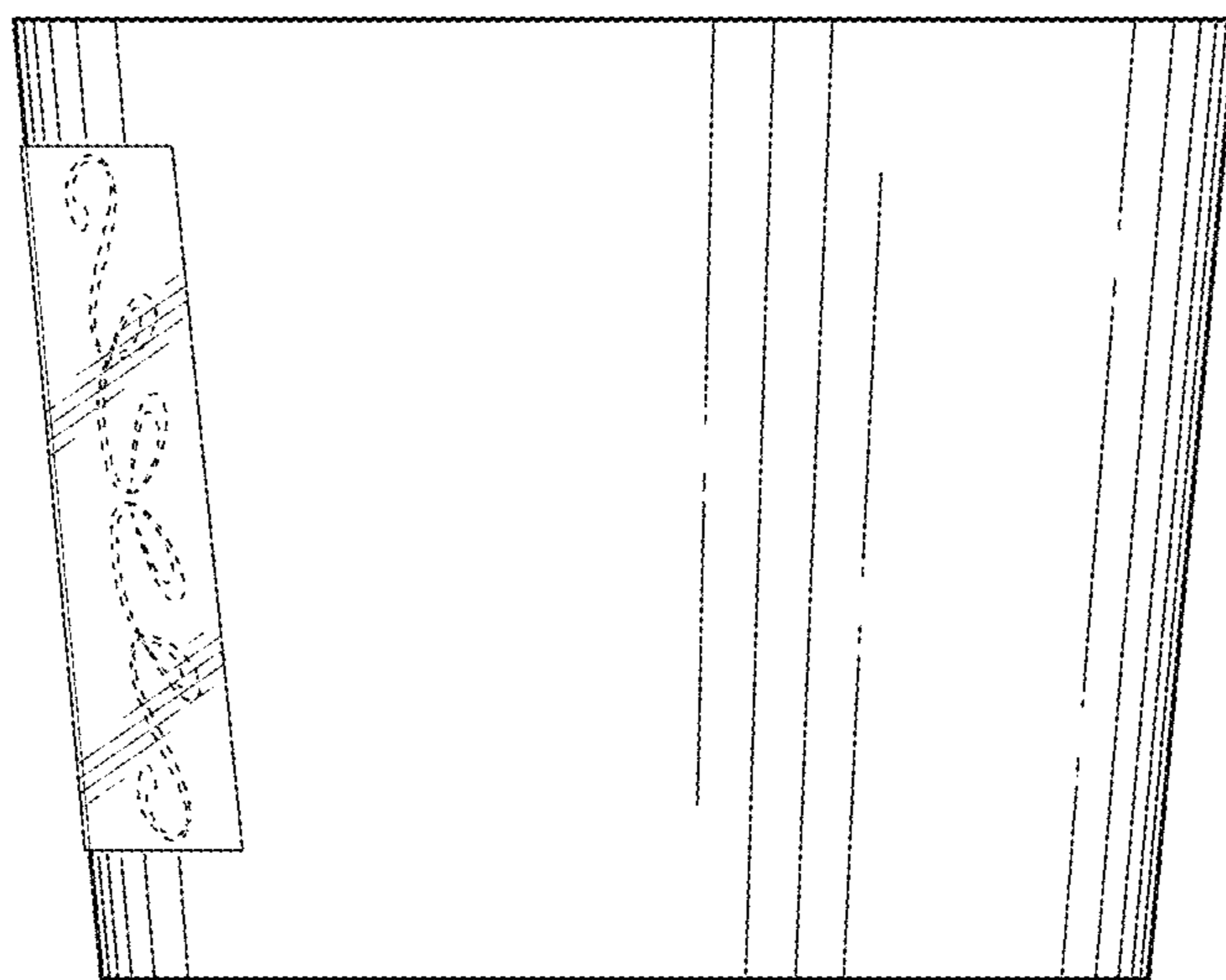


FIG. 6

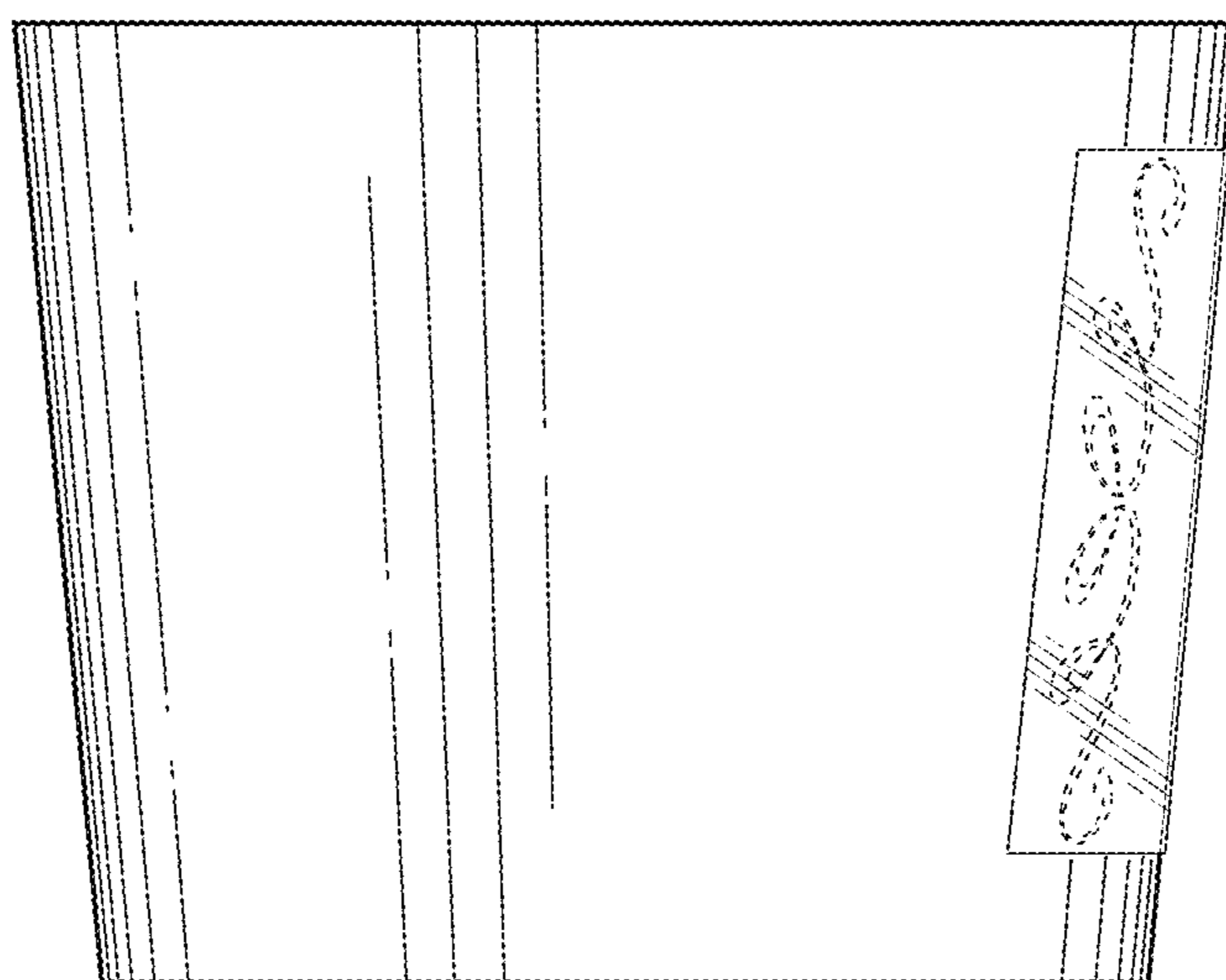


FIG. 7

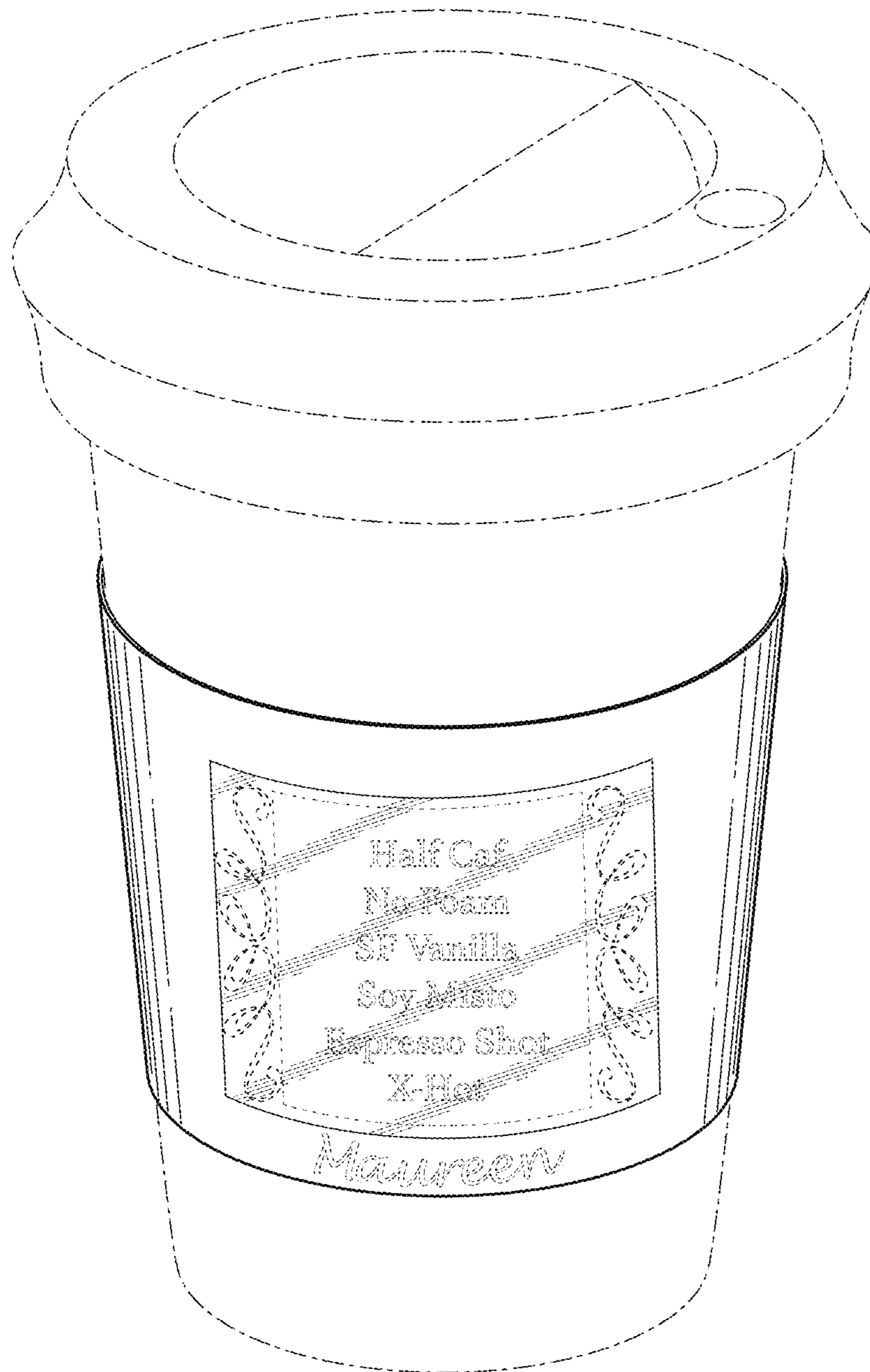


FIG. 8