



US00D794398S

(12) **United States Design Patent** (10) **Patent No.:** **US D794,398 S**
LaFavers et al. (45) **Date of Patent:** **** Aug. 15, 2017**

(54) **CUP HOLDER**

(71) Applicant: **Tech and Goods Inc.**, Decatur, GA (US)

(72) Inventors: **Carson LaFavers**, Decatur, GA (US); **Keefe Butler**, Brooklyn, NY (US)

(73) Assignee: **TECH AND GOODS INC.**, Decatur, GA (US)

(**) Term: **15 Years**

(21) Appl. No.: **29/589,404**

(22) Filed: **Dec. 30, 2016**

Related U.S. Application Data

(63) Continuation of application No. 29/524,989, filed on Apr. 24, 2015, now Pat. No. Des. 779,284.

(51) **LOC (10) Cl.** **07-06**

(52) **U.S. Cl.**

USPC **D7/620**

(58) **Field of Classification Search**

USPC D7/601, 602, 619.1, 620, 701, 708.1; D3/202, 229; D12/419, 420; 220/737; 228/309.1, 310, 311.2, 313; 297/188.14, 297/188.18

CPC A47B 55/00; A47B 55/02; A47B 73/00; A47B 73/002; A47B 73/004; A47B 73/006; A47B 73/008; A47B 69/00; A47G 23/0266; B65D 81/18; B65D 81/3876; B65D 81/3886

See application file for complete search history.

(56) **References Cited**

U.S. PATENT DOCUMENTS

D303,915 S 10/1989 Knutson
D346,996 S 5/1994 Blackburn

D447,012 S 8/2001 Owens et al.
7,284,737 B2 10/2007 Kane
D612,691 S 3/2010 Barnes, Jr.
D767,944 S * 10/2016 Webb, IV D7/620
D775,906 S * 1/2017 Edwards D7/708.1
D779,280 S * 2/2017 Knowlton D7/600.1
D779,284 S * 2/2017 LaFavers D7/620

* cited by examiner

Primary Examiner — Keli L Hill

(74) *Attorney, Agent, or Firm* — Howard & Howard Attorneys PLLC

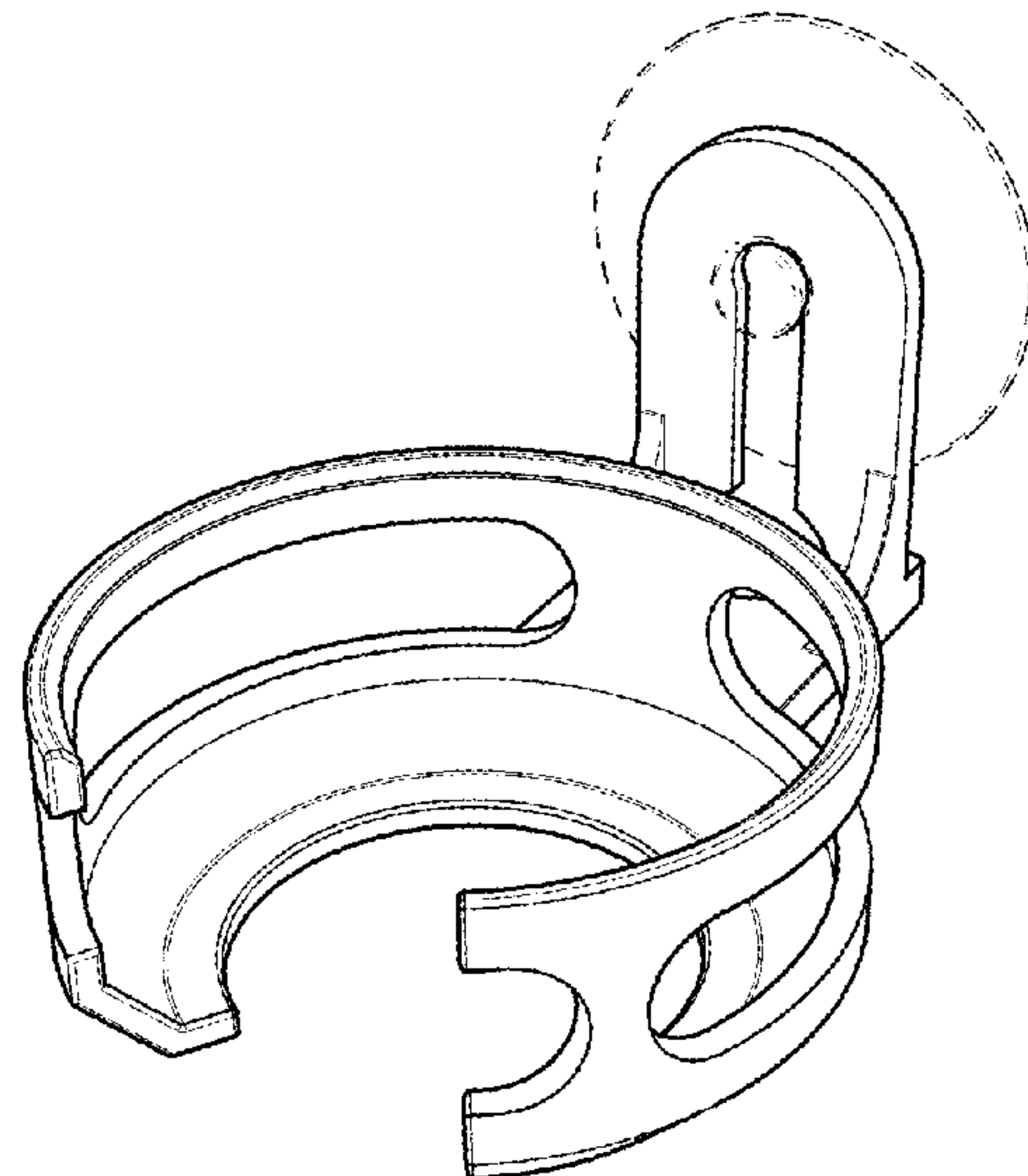
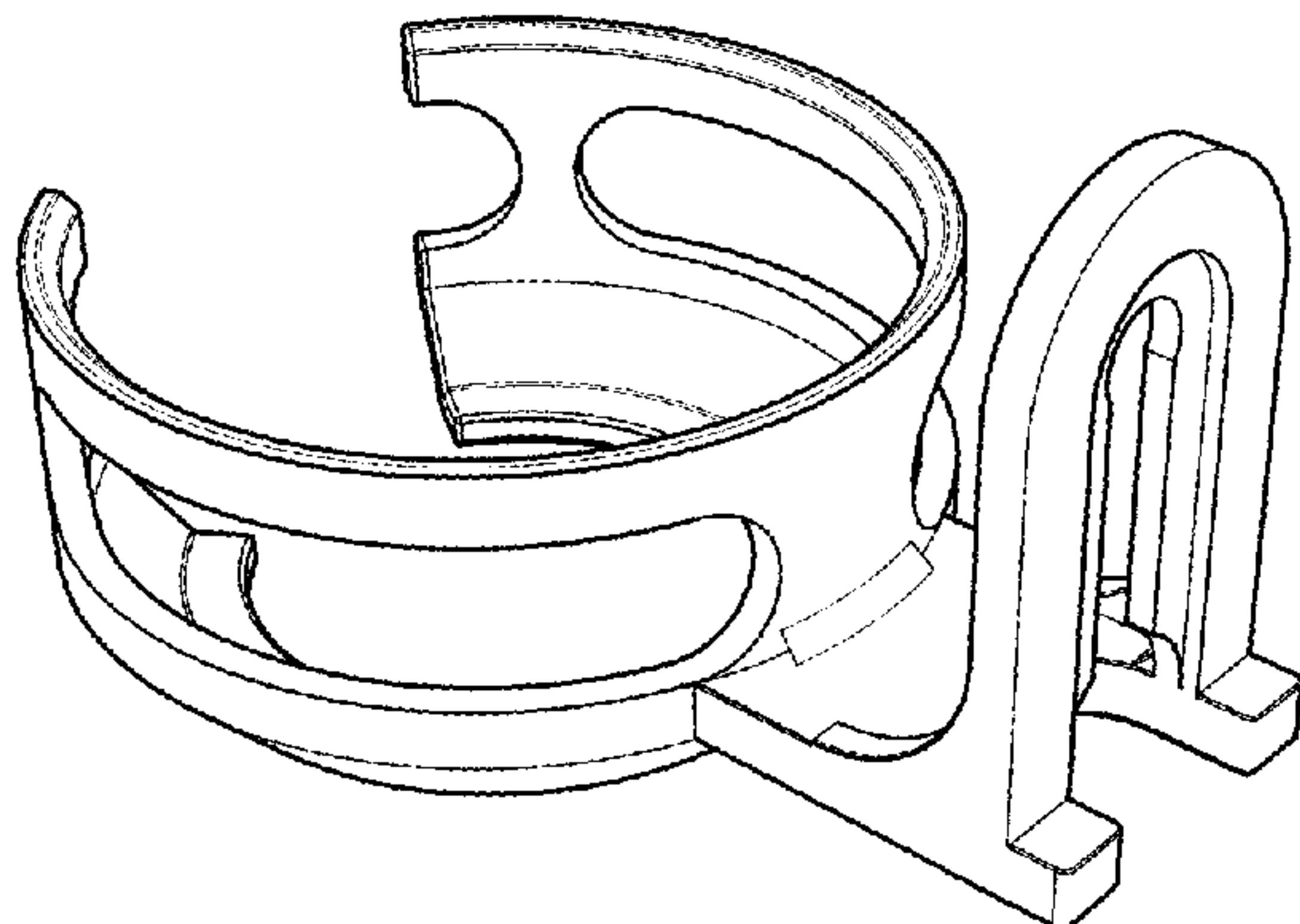
(57) **CLAIM**

We claim the ornamental design for a cup holder, as shown and described.

DESCRIPTION

FIG. 1 is a first perspective view of the new design of a cup holder;
FIG. 2 is a second perspective view of the new design of a cup holder;
FIG. 3 is a front view of the cup holder;
FIG. 4 is a rear view of the cup holder;
FIG. 5 is a right side elevation view of the cup holder;
FIG. 6 is a left side elevation view of the cup holder;
FIG. 7 is a bottom view of the cup holder;
FIG. 8 is a top view of the cup holder;
FIG. 9 is another perspective view of the cup holder;
FIG. 10 is another perspective view of the cup holder; and,
FIG. 11 is another perspective view of the cup holder.
The broken lines shown are included for the purpose of illustrating environment of the cup holder and form no part of the claimed design.

1 Claim, 6 Drawing Sheets



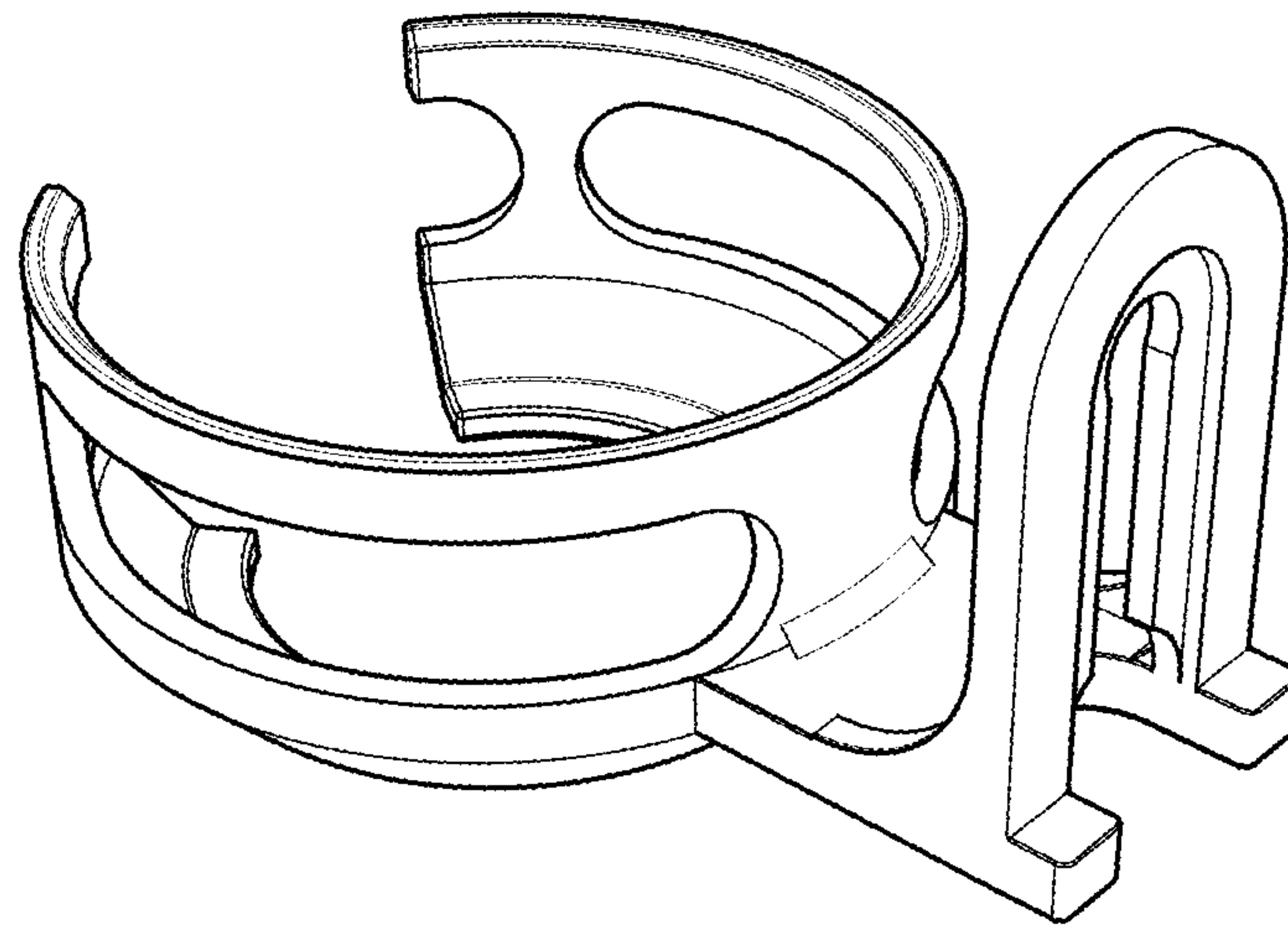


Fig. 1

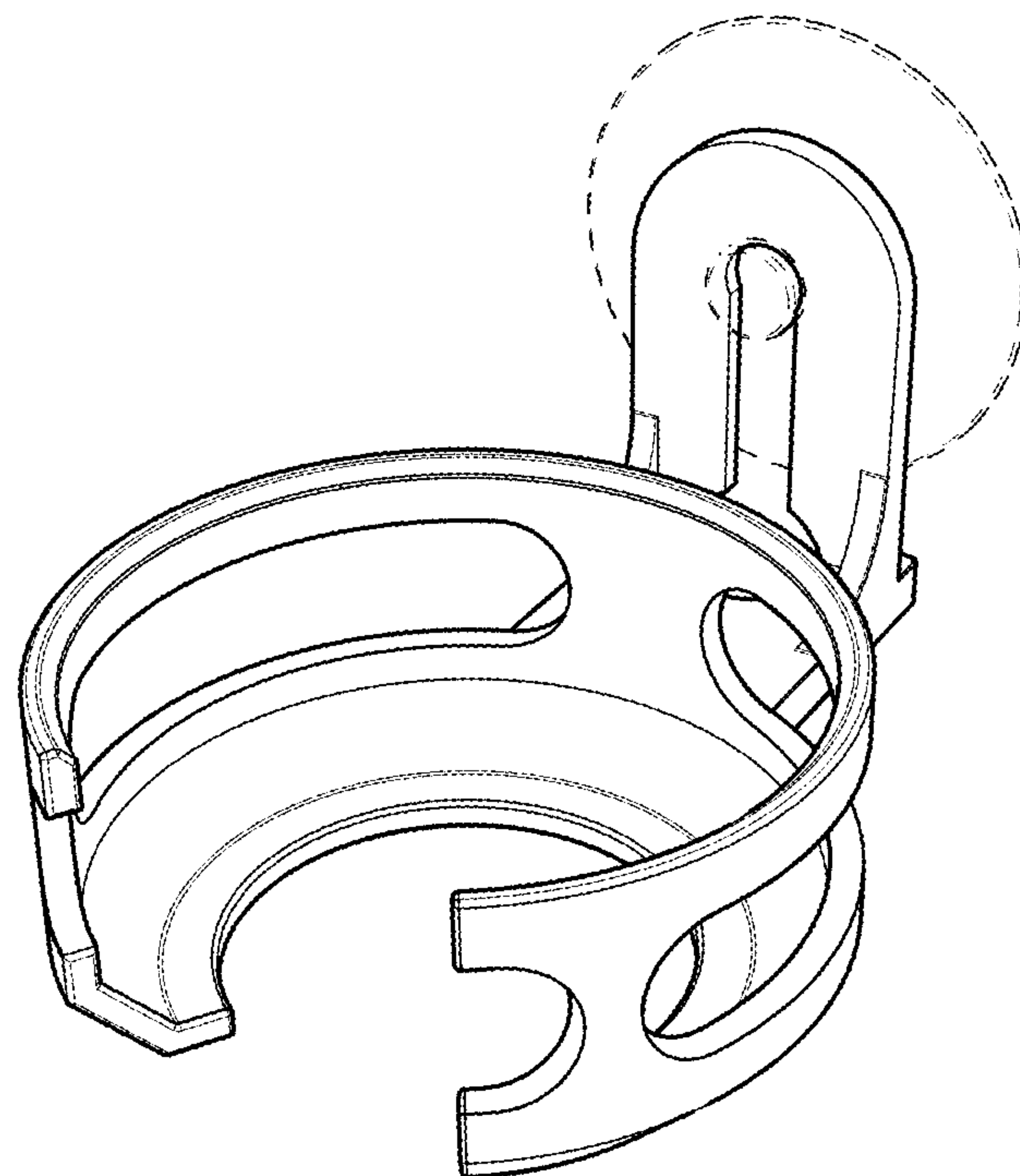


Fig. 2

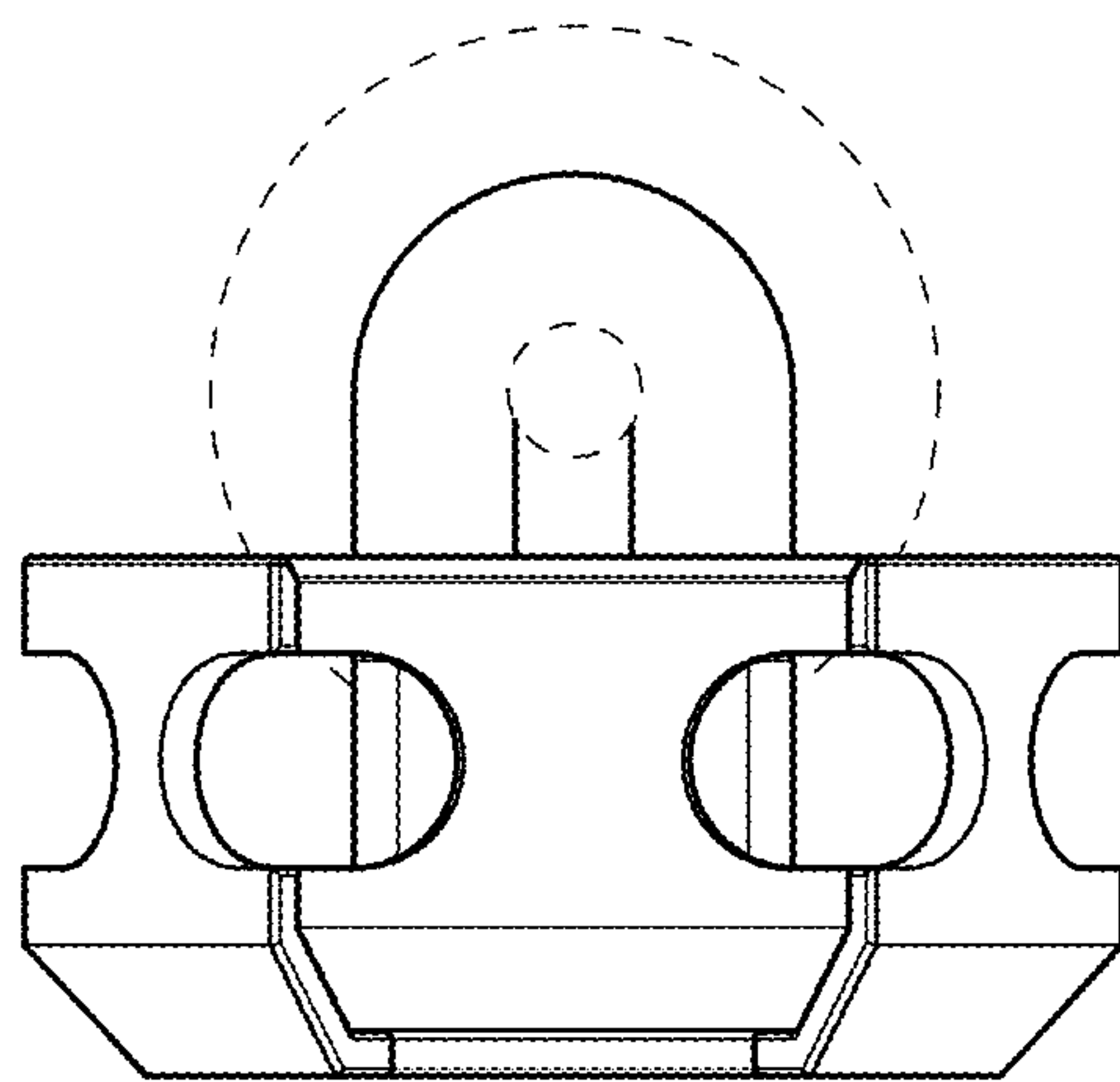


Fig. 3

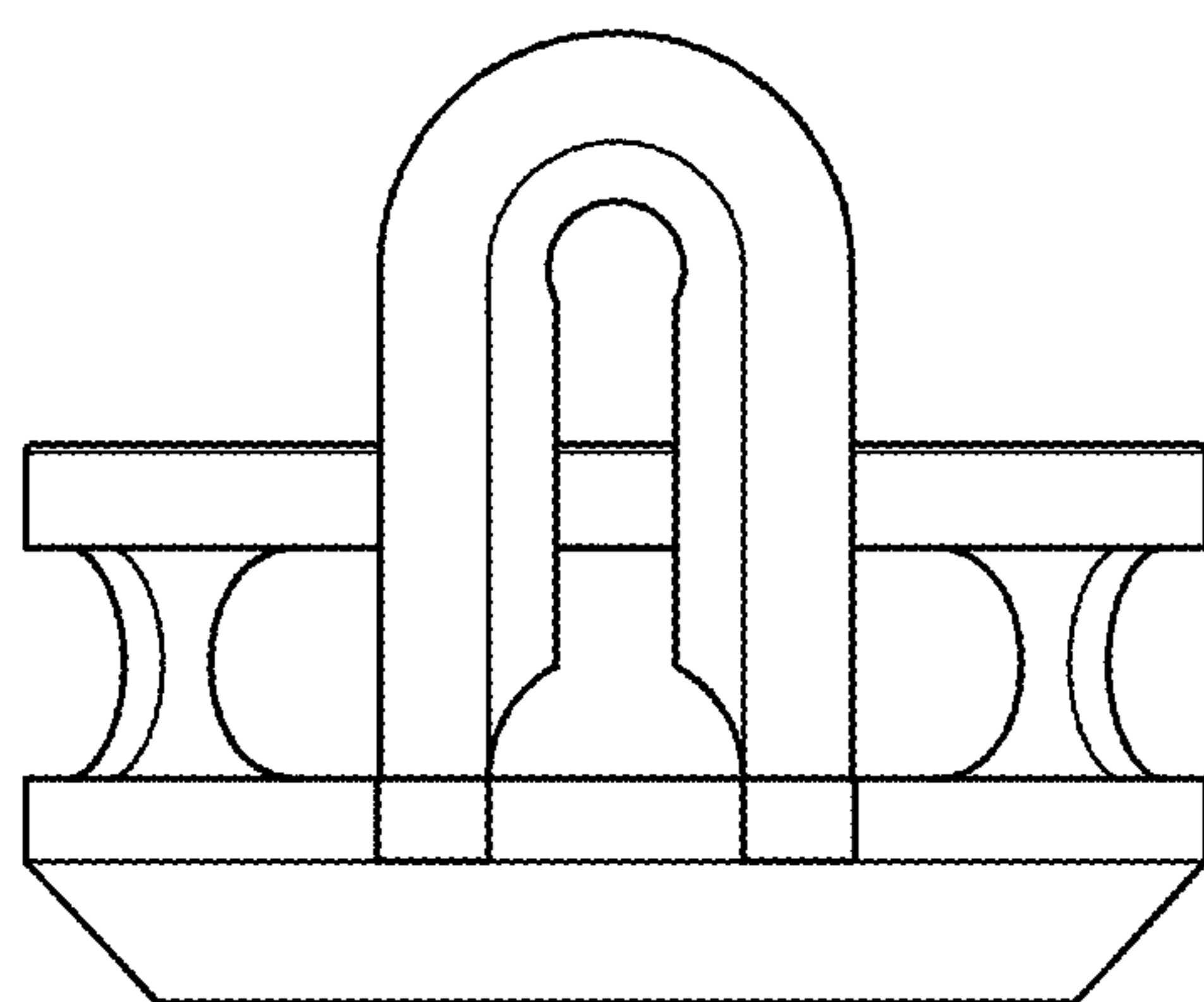
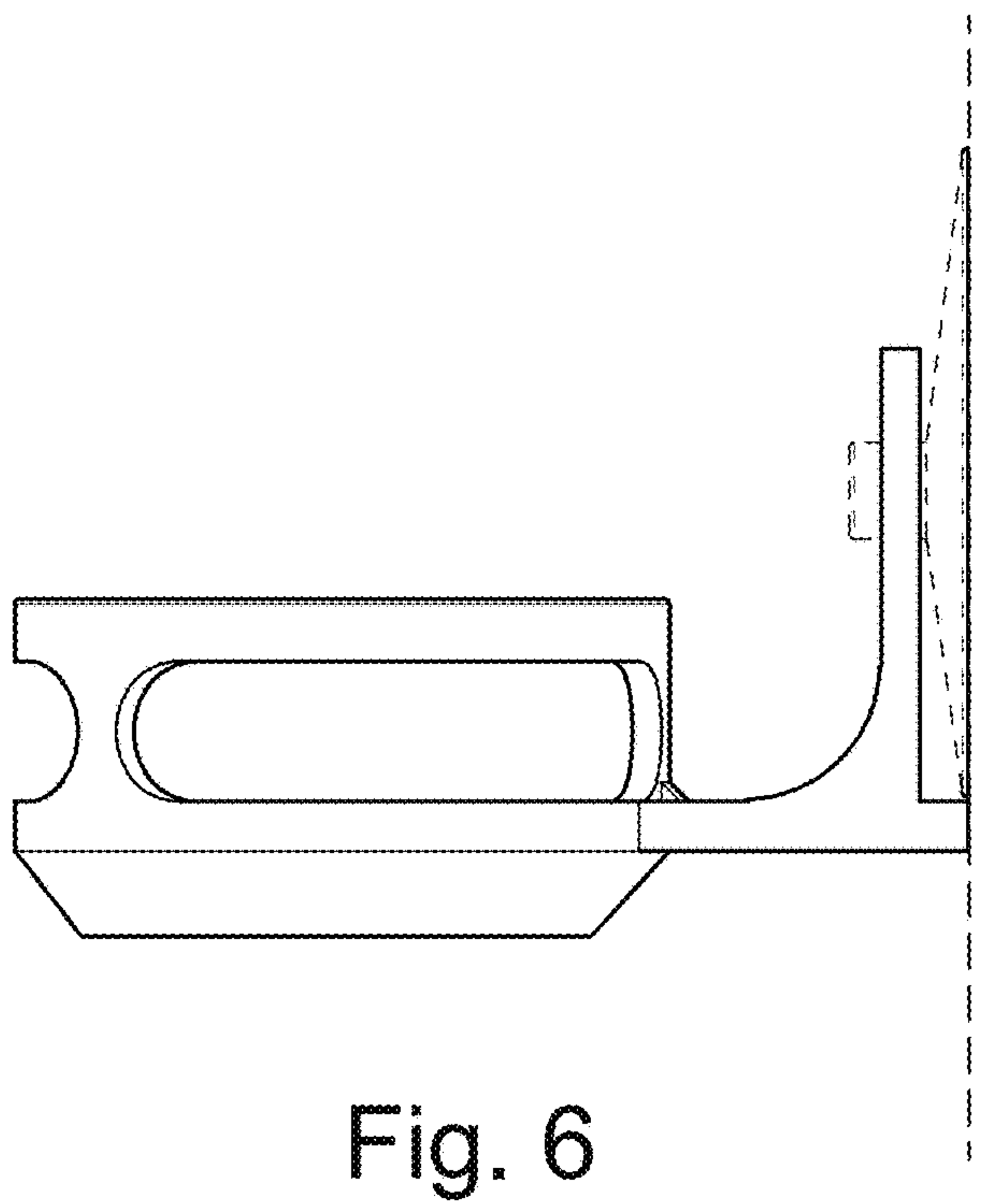
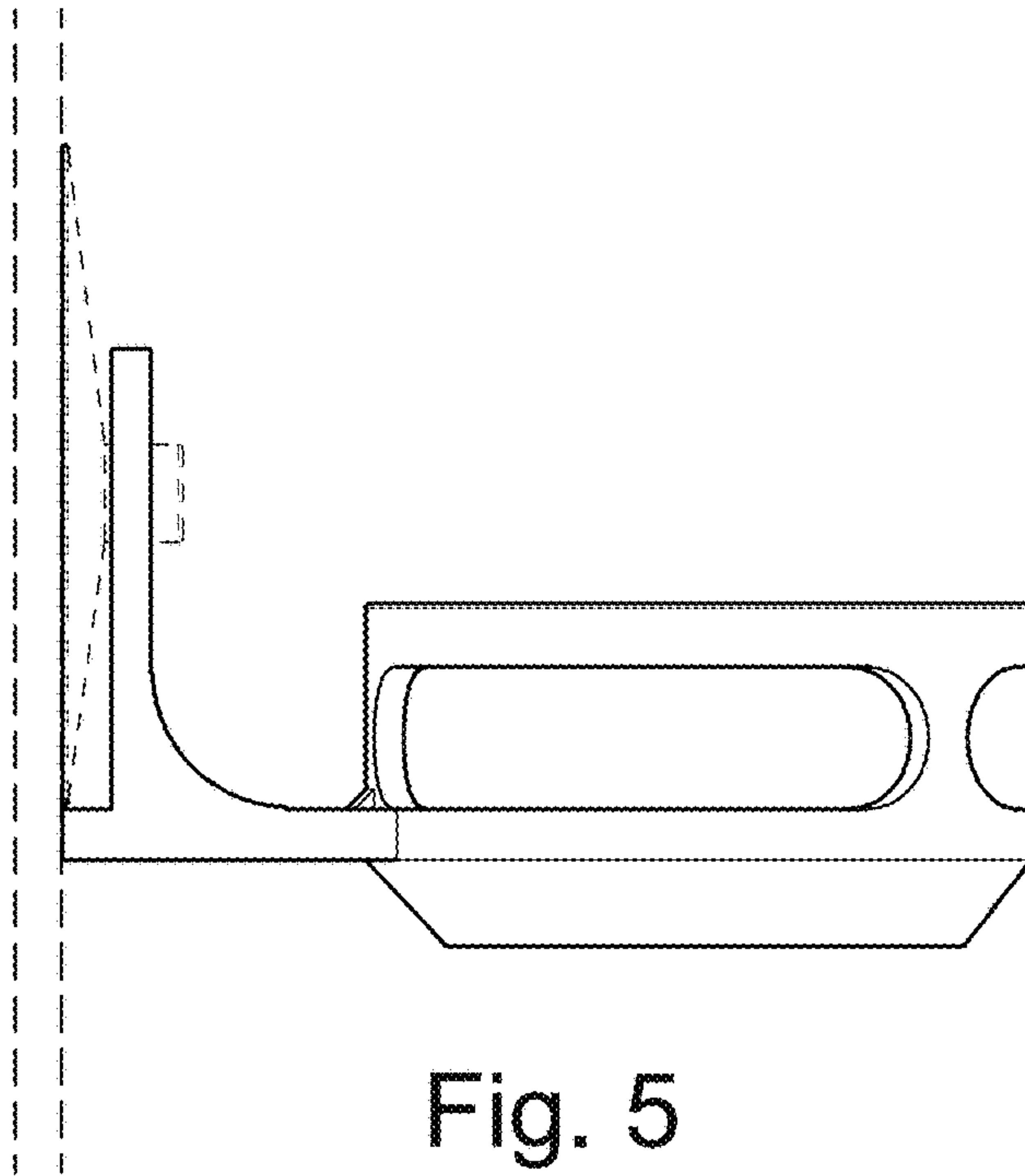


Fig. 4



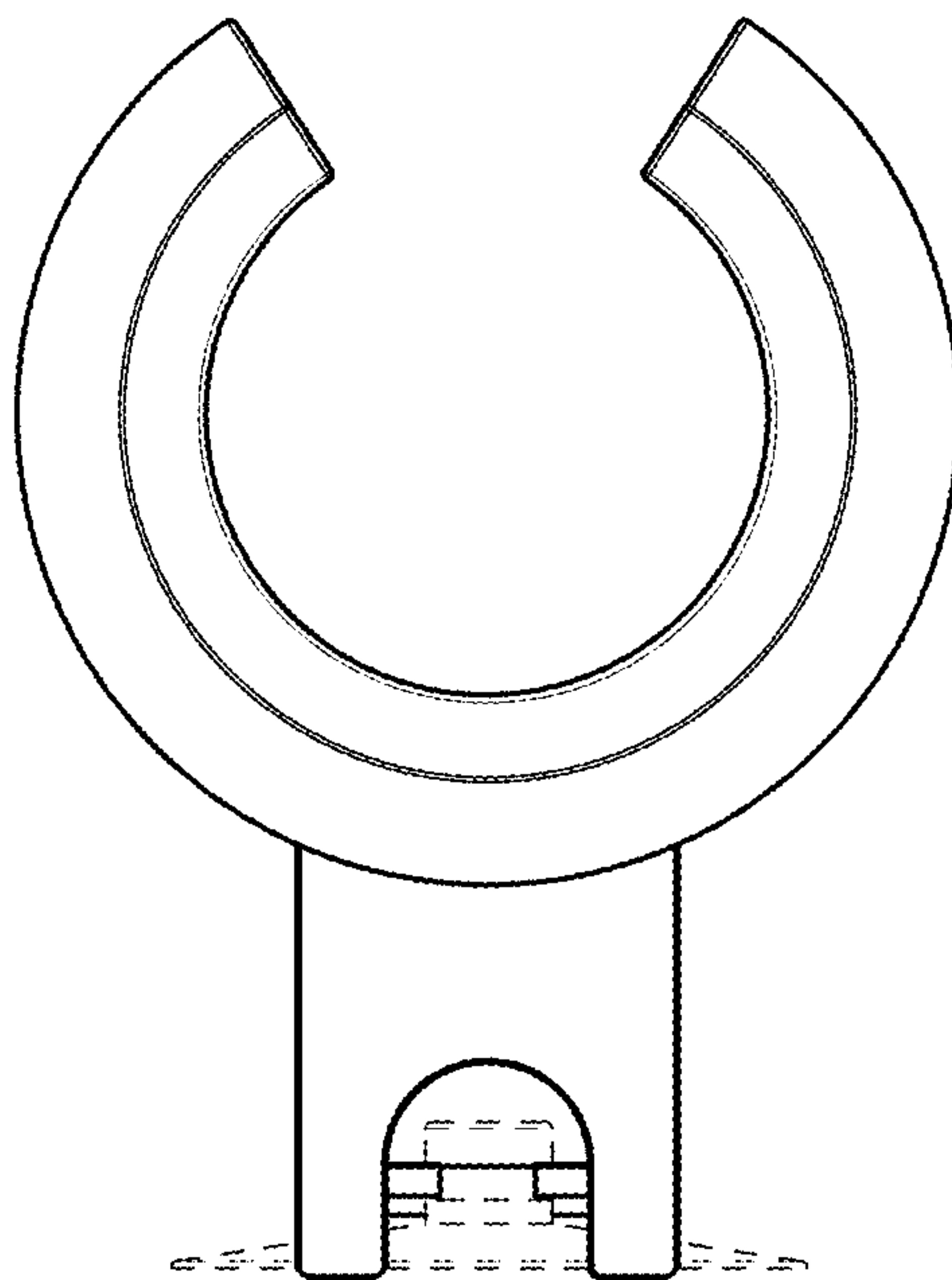


Fig. 7

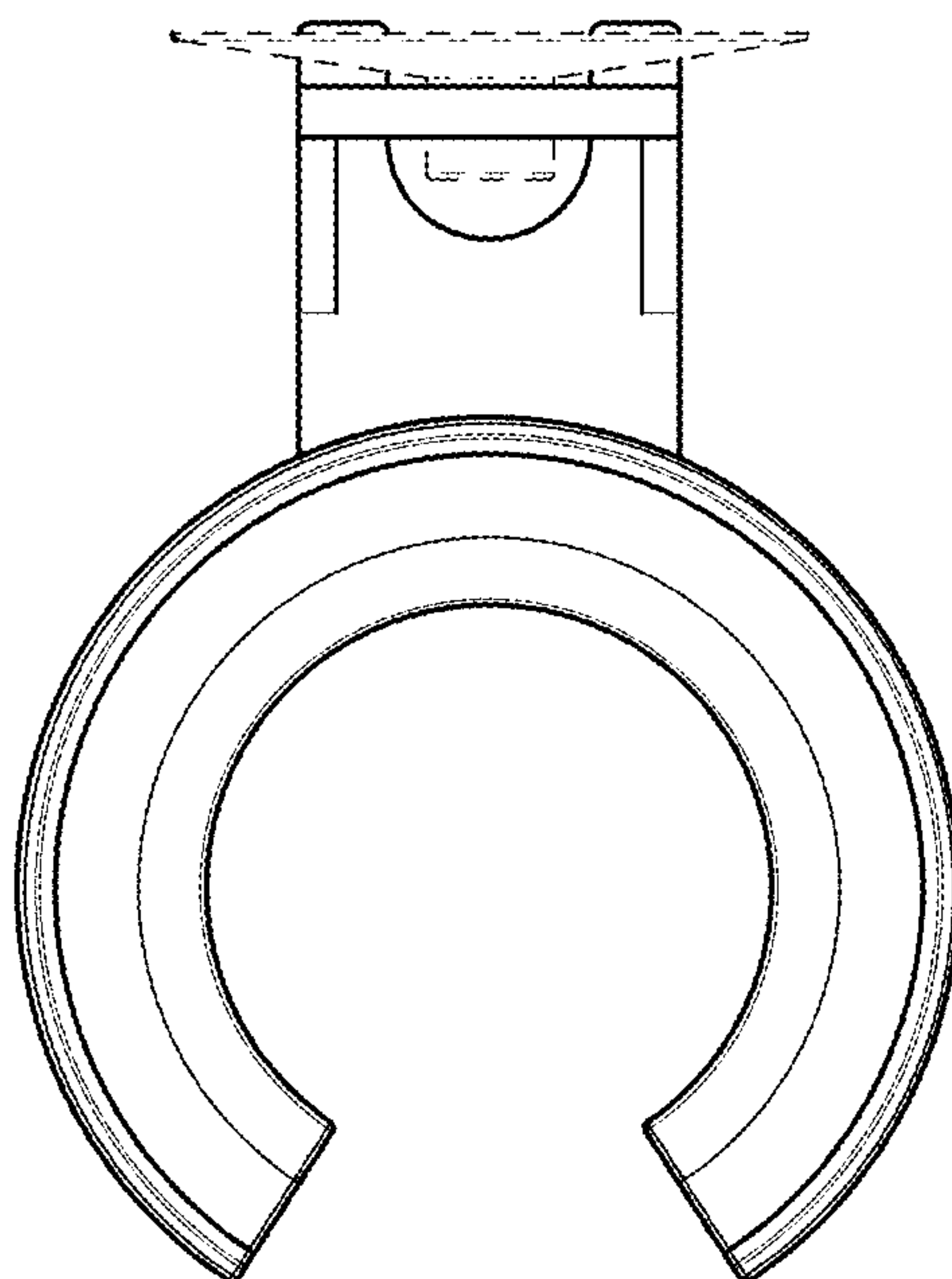


Fig. 8

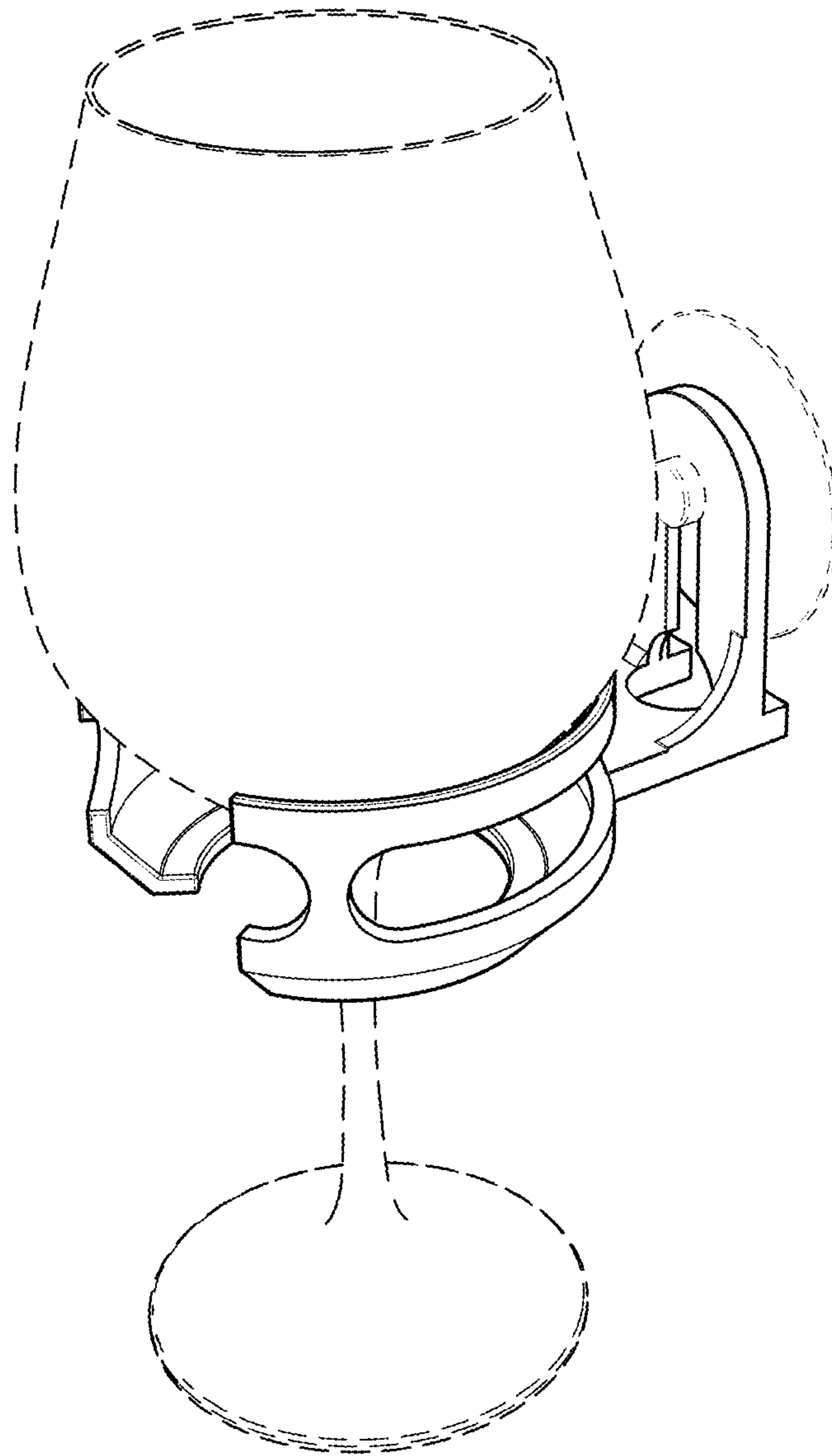


Fig. 9

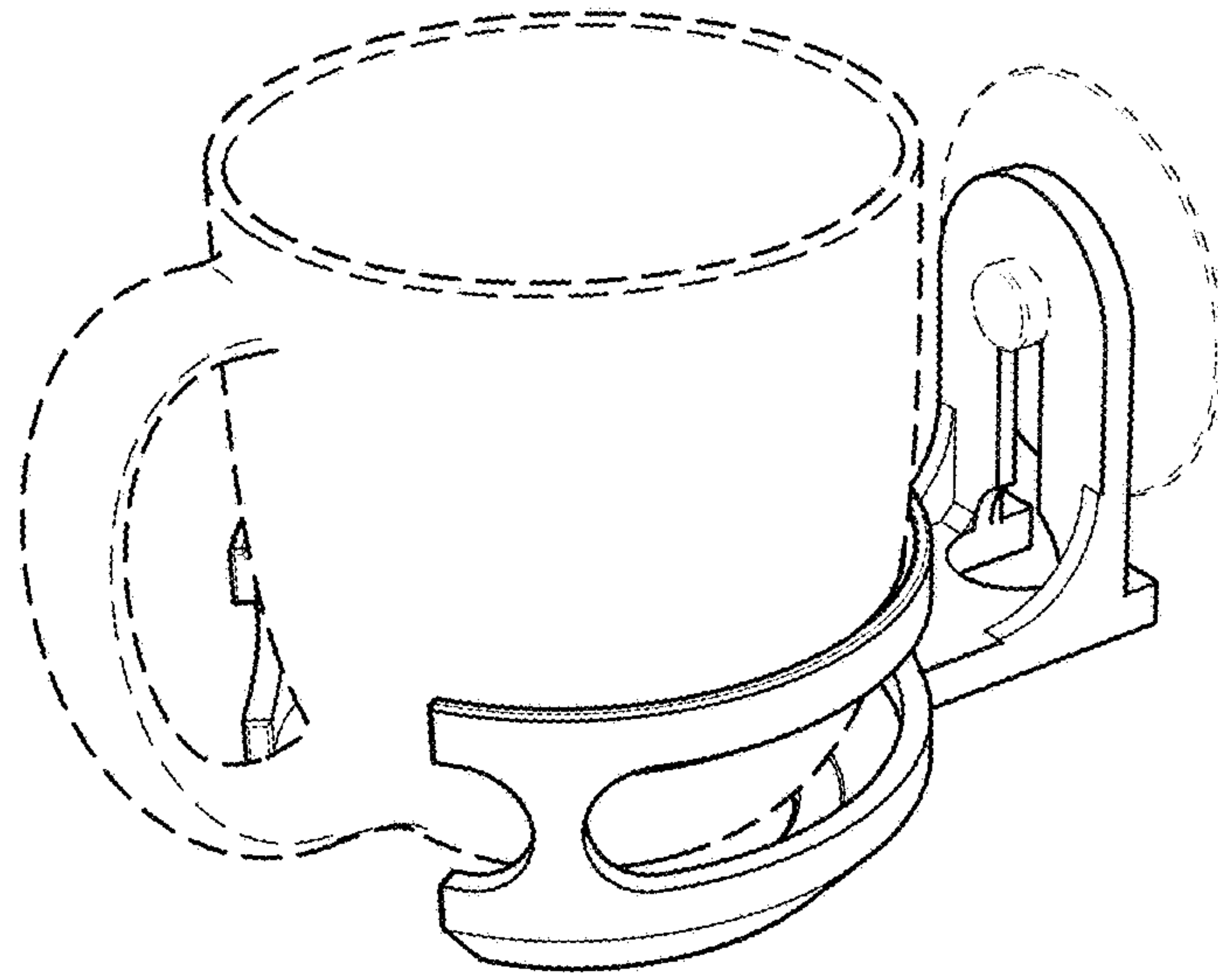


Fig. 10

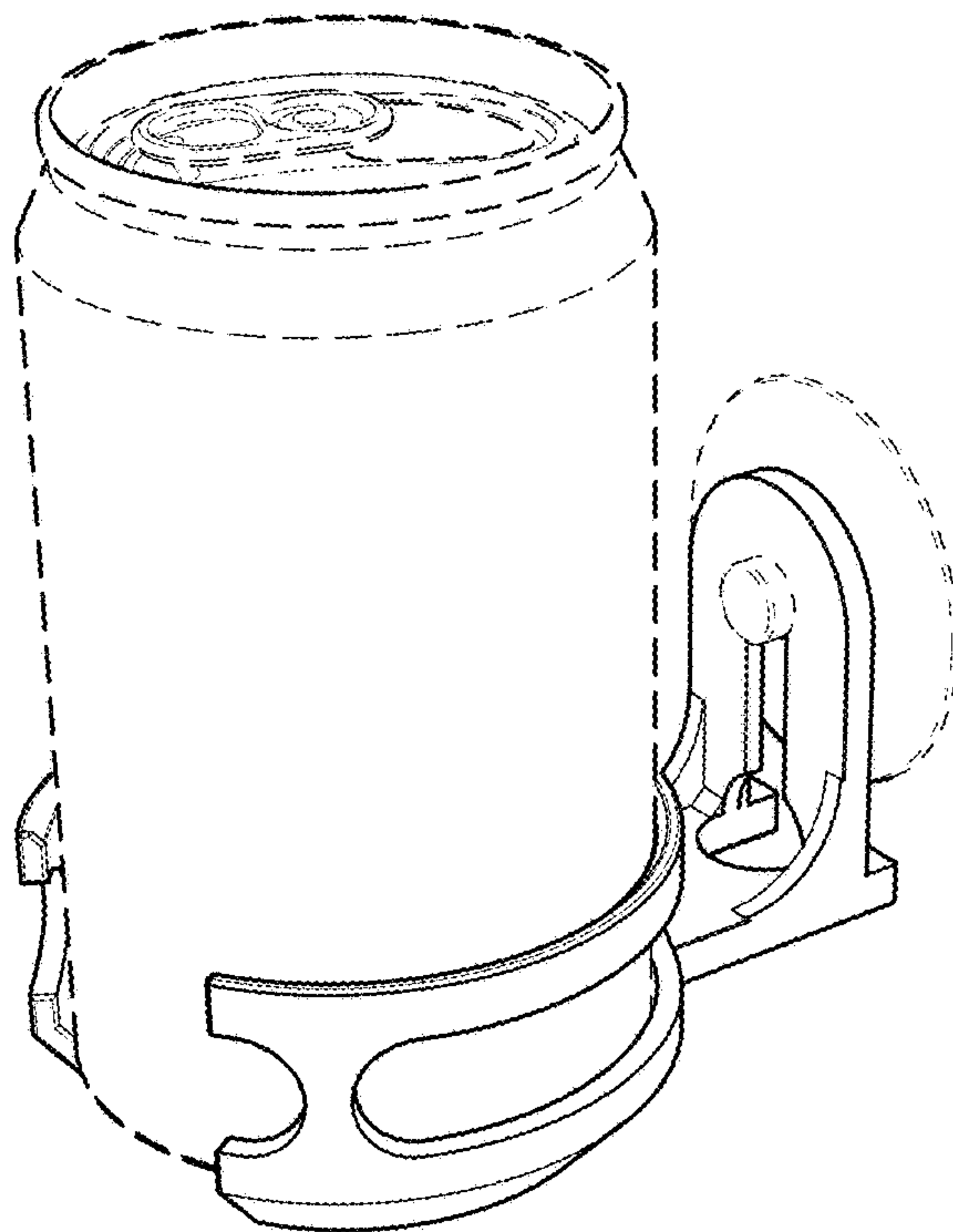


Fig. 11