

US00D794391S

(12) **United States Design Patent** (10) **Patent No.:** **US D794,391 S**
Palin et al. (45) **Date of Patent:** **** Aug. 15, 2017**

(54) **BOTTLE**

(56) **References Cited**

(71) Applicant: **PepsiCo, Inc.**, Purchase, NY (US)

U.S. PATENT DOCUMENTS

(72) Inventors: **Drew Alexander Read Palin**, Kenilworth, IL (US); **Sean Joseph Huls**, Chicago, IL (US); **Brandon Scott Rhodes**, Chicago, IL (US); **Xavi Cortadellas**, Miami Beach, FL (US); **Tucker Fort**, Brooklyn, NY (US); **Laura Sink**, Brooklyn, NY (US); **Alexander Ian James Wastney**, Brooklyn, NY (US); **John Lester Ostby**, Seattle, WA (US); **Matthew Schmunk**, Portland, OR (US)

D408,221 S	4/1999	Asberg	
D584,107 S	1/2009	George	
D598,706 S *	8/2009	Neace	D7/399
8,051,674 B2	11/2011	Roth et al.	
D655,569 S	3/2012	Lipson	
D657,194 S	4/2012	McIntire et al.	
D667,265 S	9/2012	George	
D674,279 S	1/2013	Lembke et al.	
D679,597 S *	4/2013	Tamarindo	D9/443
D686,918 S	7/2013	Lembke et al.	
D734,985 S *	7/2015	Furia	D7/399
D735,038 S *	7/2015	Tamarindo	D9/454
D736,562 S	8/2015	Green et al.	
D752,435 S	3/2016	Willows et al.	
D760,027 S	6/2016	Meyers et al.	
D771,435 S *	11/2016	Cutuli	D7/400
2014/0144870 A1	5/2014	Brosius	
2016/0200486 A1	7/2016	Meyers et al.	

(73) Assignee: **PepsiCo, Inc.**, Purchase, NY (US)

(**) Term: **15 Years**

* cited by examiner

(21) Appl. No.: **29/584,894**

Primary Examiner — Daniel Bui

Assistant Examiner — Andrew Kerr

(22) Filed: **Nov. 18, 2016**

(74) *Attorney, Agent, or Firm* — Sterne, Kessler, Goldstein & Fox P.L.L.C.

Related U.S. Application Data

(57) **CLAIM**

The ornamental design for a bottle, as shown and described.

(63) Continuation of application No. 29/535,914, filed on Aug. 11, 2015, now Pat. No. Des. 774,357.

DESCRIPTION

(51) **LOC (10) Cl.** **07-01**

FIG. 1 is a top front perspective view of a bottle showing the claimed design;

(52) **U.S. Cl.**
USPC **D7/510**

FIG. 2 is a bottom front perspective view thereof;

(58) **Field of Classification Search**
USPC D7/510, 900; D9/434, 435, 436, 438, D9/445, 452, 453, 454; D24/224; 215/200, 235, 236, 252, 254, 329, 215/355-364; 220/556

FIG. 3 is a front view thereof;

FIG. 4 is a rear view thereof;

FIG. 5 is a left side view thereof;

FIG. 6 is a right side view thereof;

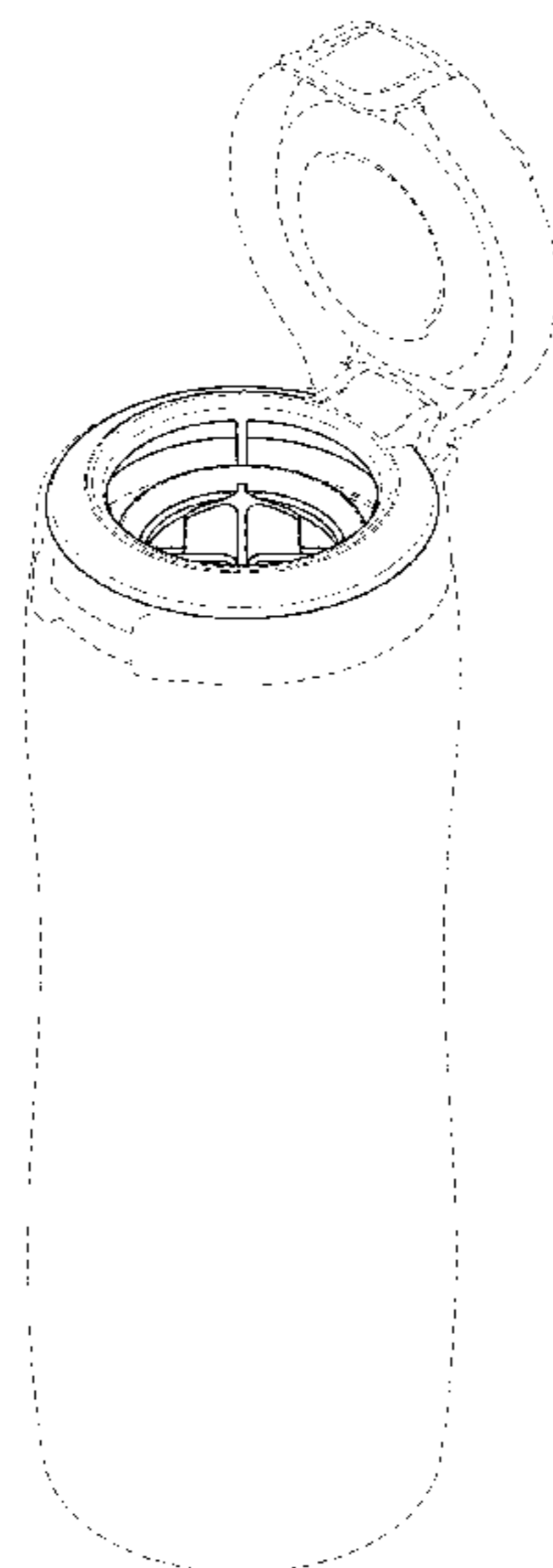
FIG. 7 is a top view thereof; and,

FIG. 8 is a bottom view thereof.

The broken lines in the figures show portions of the bottle that form no part of the claimed design.

CPC A47G 19/22
See application file for complete search history.

1 Claim, 7 Drawing Sheets



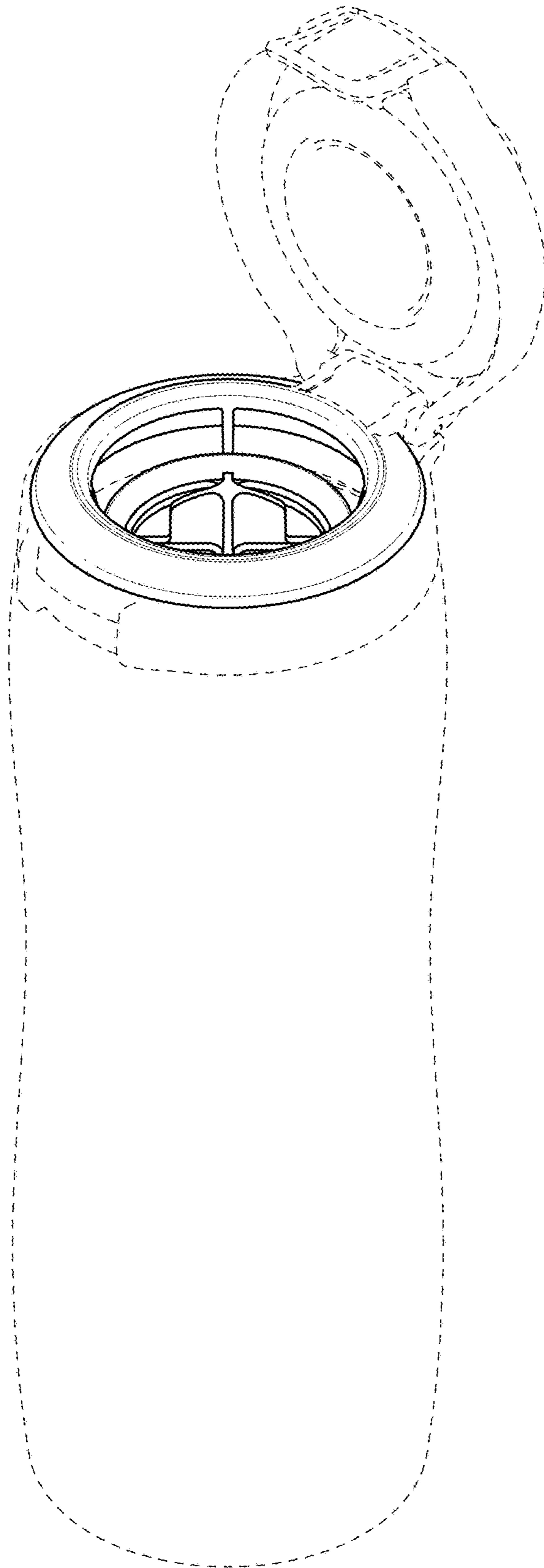


FIG. 1

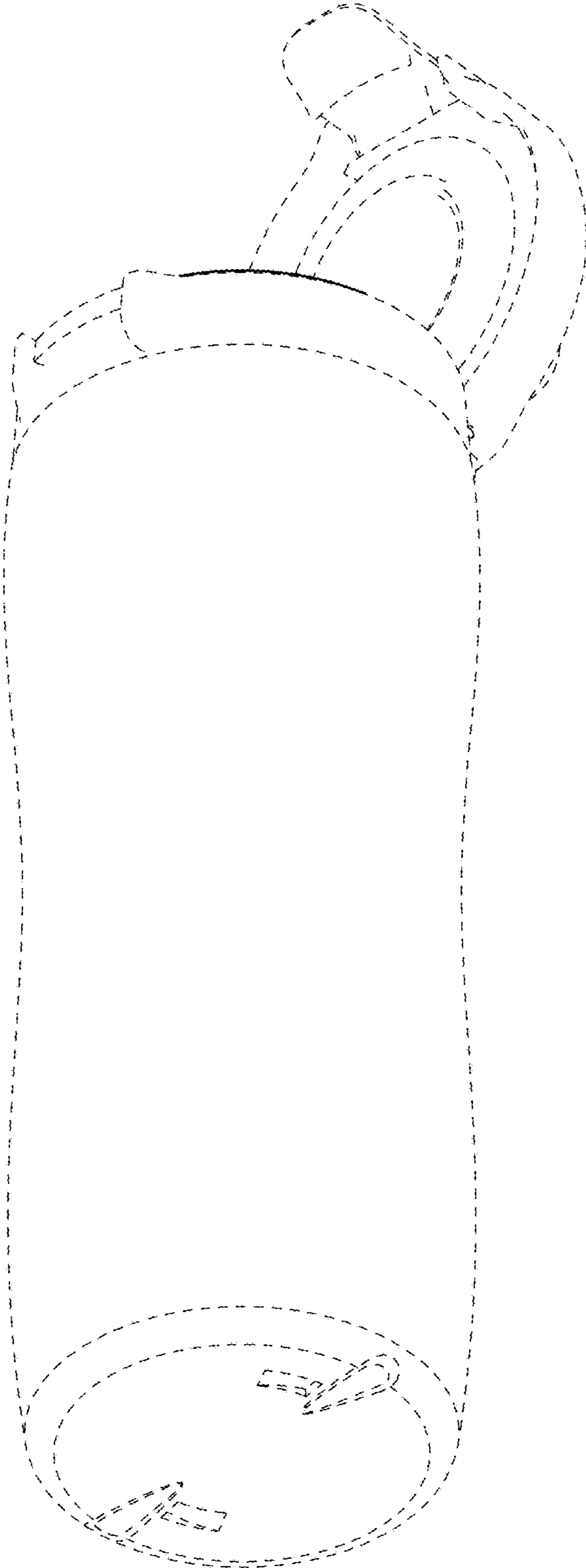


FIG. 2

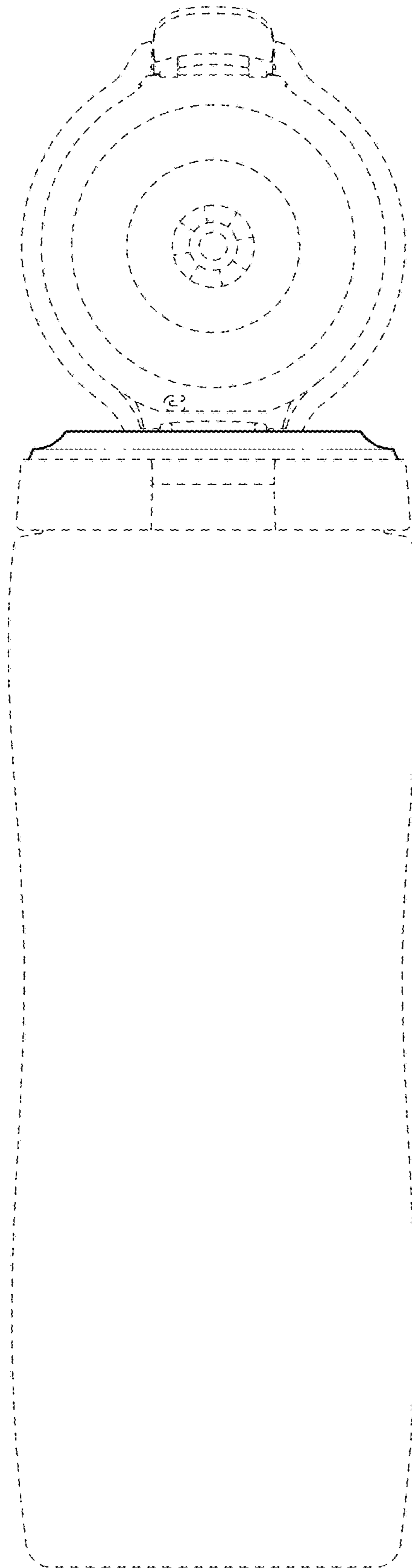


FIG. 3

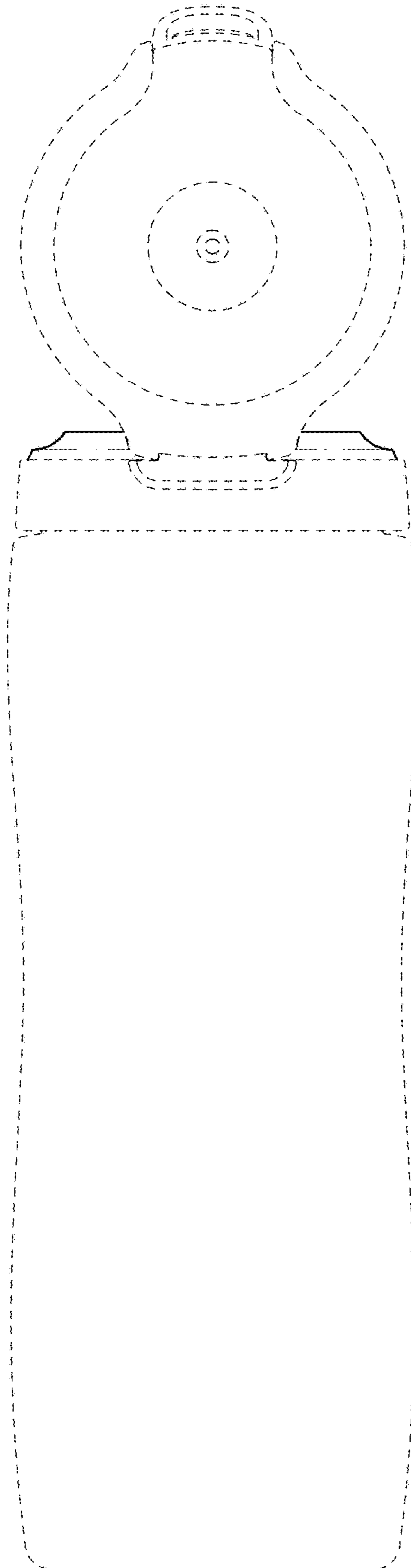


FIG. 4

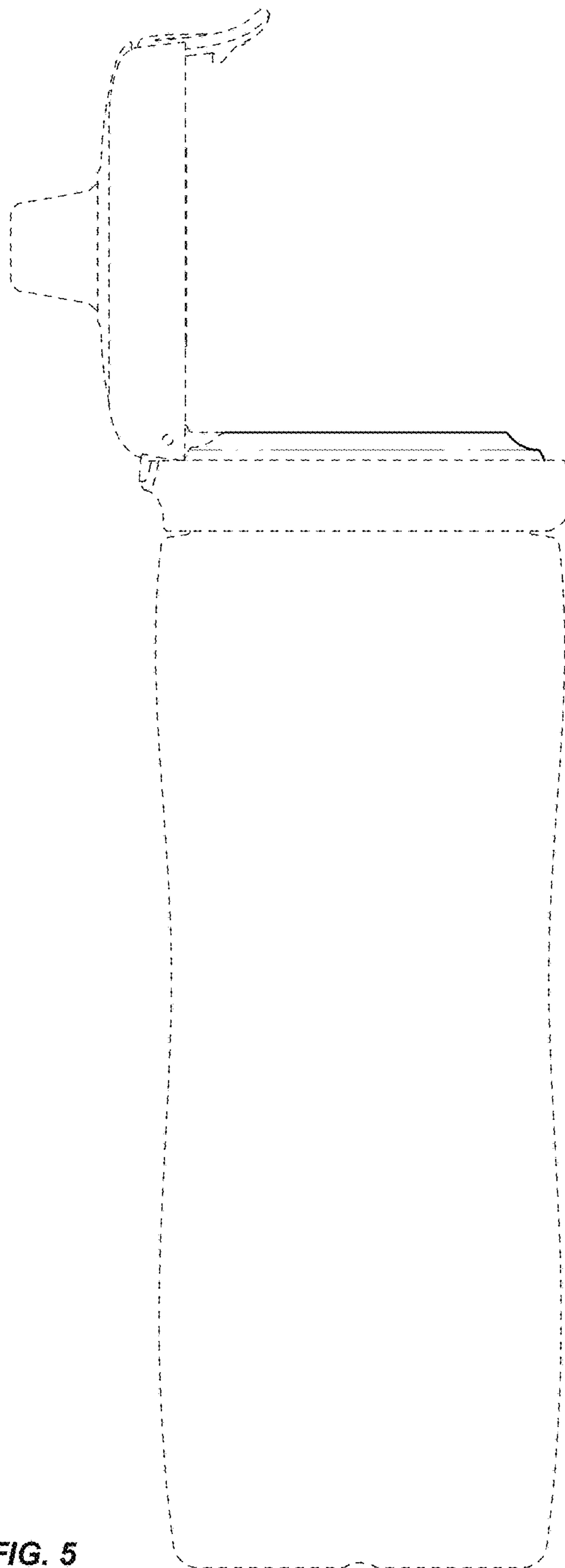


FIG. 5

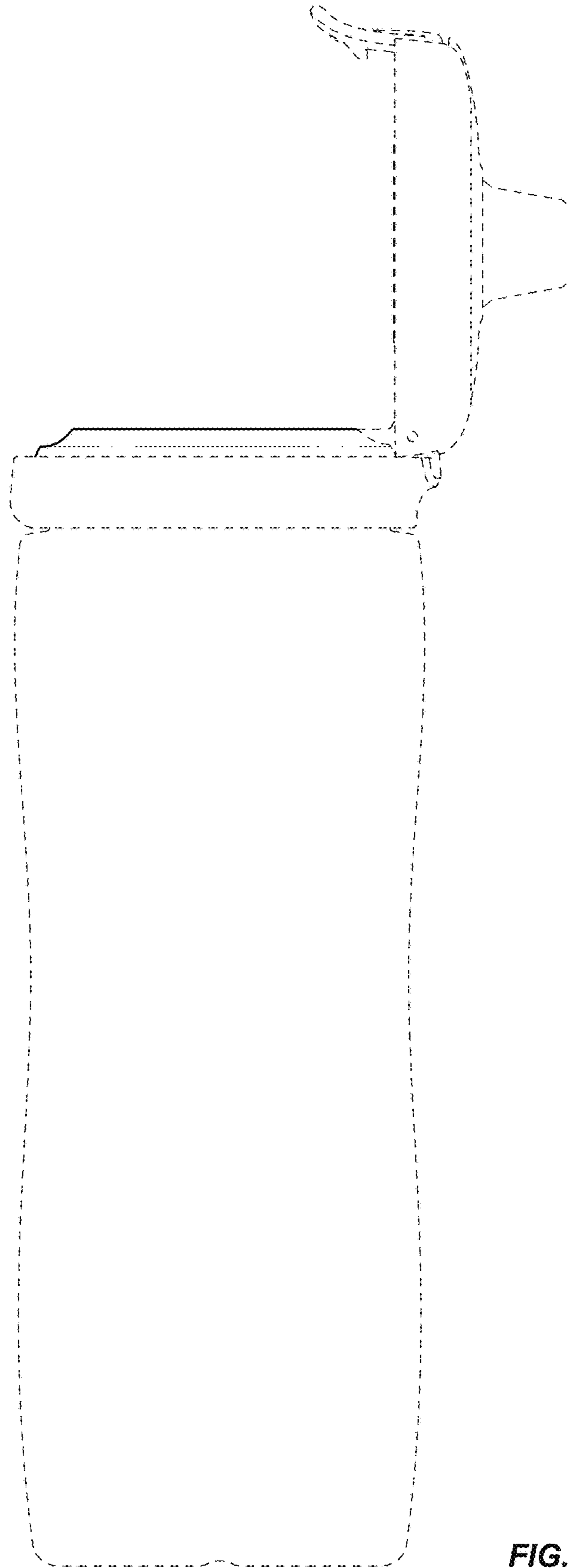


FIG. 6

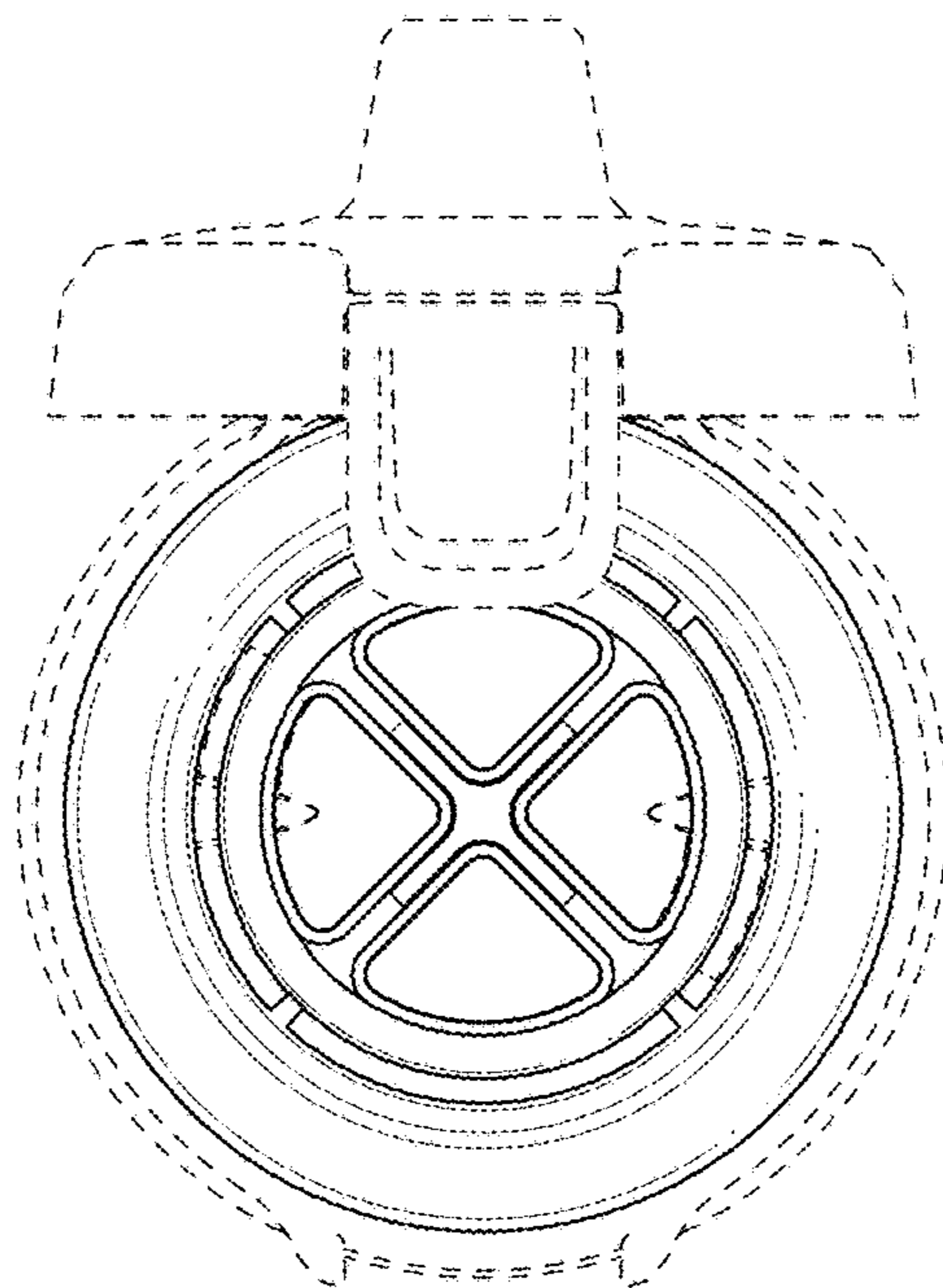


FIG. 7

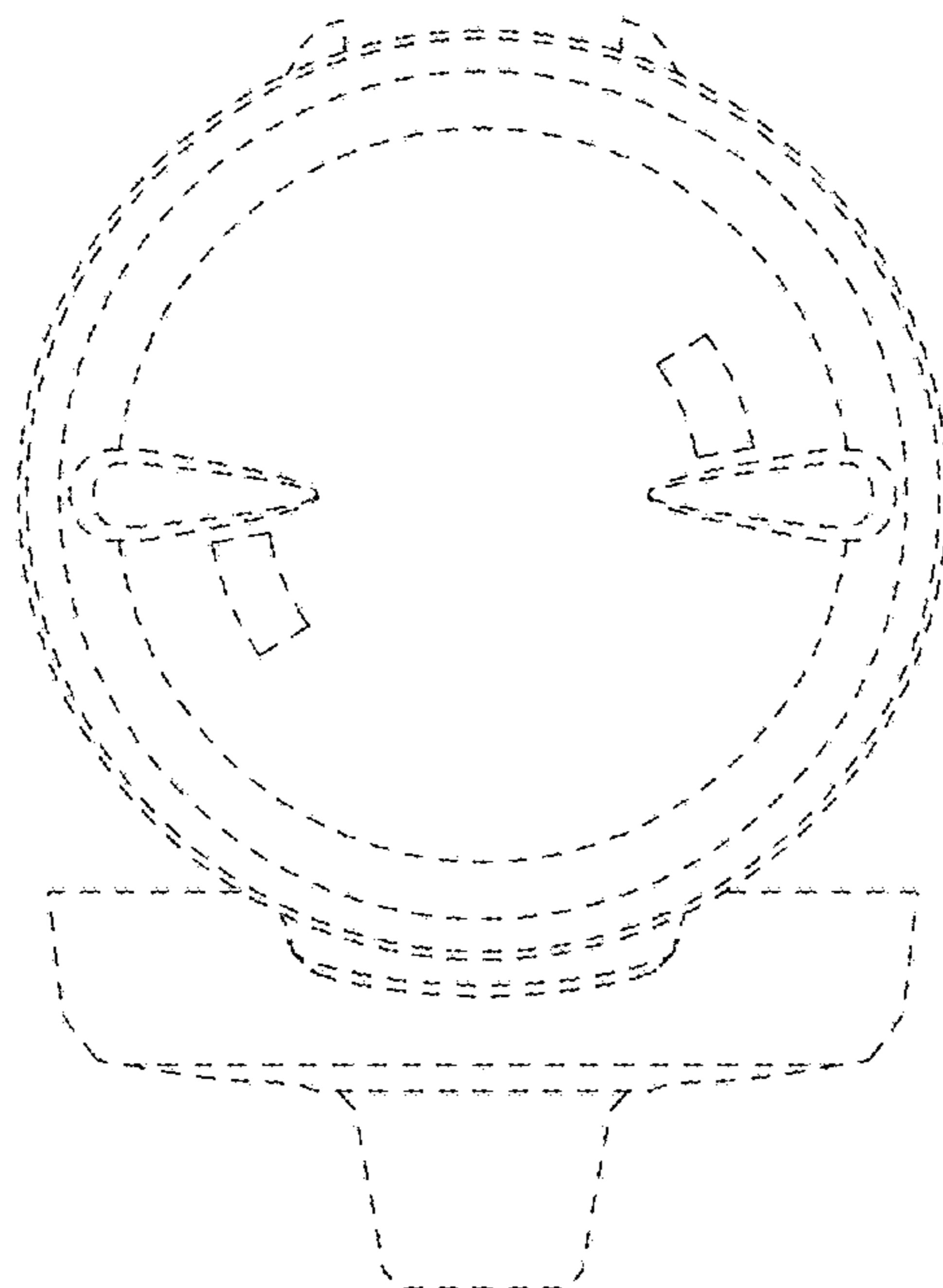


FIG. 8