



US00D794390S

(12) **United States Design Patent**
Boettcher Sebben

(10) **Patent No.:** **US D794,390 S**

(45) **Date of Patent:** **** Aug. 15, 2017**

(54) **THERMOS BOTTLE**

(71) Applicant: **NAXOS INDUSTRIA E COMERCIO DE UTILIDADES DOMESTICAS LTDA**, Rio Do Sul, Santa Catarina (BR)

(72) Inventor: **Marcos Alexandre Boettcher Sebben**, Santa Catarina (BR)

(73) Assignee: **NAXOS INDUSTRIA E COMERCIO DE UTILIDADES DOMESTICAS LTDA**, Rio Do Sul, Santa Catarina (BR)

(**) Term: **15 Years**

(21) Appl. No.: **29/552,033**

(22) Filed: **Jan. 19, 2016**

(30) **Foreign Application Priority Data**

Jul. 17, 2015 (BR) 30 2015 0033193

(51) **LOC (10) Cl.** **07-01**

(52) **U.S. Cl.**
USPC **D7/510; D7/511; D7/532; D7/608**

(58) **Field of Classification Search**
USPC D7/507, 509, 510, 511, 523, 532, 528, D7/608, 624.1, 624.2, 591, 629, 387, D7/392.1, 396.2, 396.3; D9/434, 449, D9/503, 435, 436, 440, 447, 905, 454; 220/592.16, 592.17, 495.03, 703; 215/45, 215/206, 224, 240, 305

CPC A47G 19/22; A47G 19/2227; A47G 19/2272; A47G 19/2205; A45F 3/16
See application file for complete search history.

(56) **References Cited**

U.S. PATENT DOCUMENTS

D362,156 S * 9/1995 Goto D7/510
D454,275 S 3/2002 Lillelund
D485,759 S * 1/2004 Janky D7/392.1

D494,815 S * 8/2004 Bodum D7/510
D502,844 S * 3/2005 Rohe D7/510
D546,125 S * 7/2007 Bhavnani D7/523
D622,546 S * 8/2010 Bodum D7/510

(Continued)

FOREIGN PATENT DOCUMENTS

CN 202960130 U 6/2013
WO 2012/041394 A1 10/2010

OTHER PUBLICATIONS

English Abstract for CN202960130 dated Jun. 5, 2013.

Primary Examiner — Marianne Pandozzi

Assistant Examiner — Jae Liang

(74) *Attorney, Agent, or Firm* — Hedman & Costigan, P.C.; James V. Costigan; Kathleen A. Costigan

(57) **CLAIM**

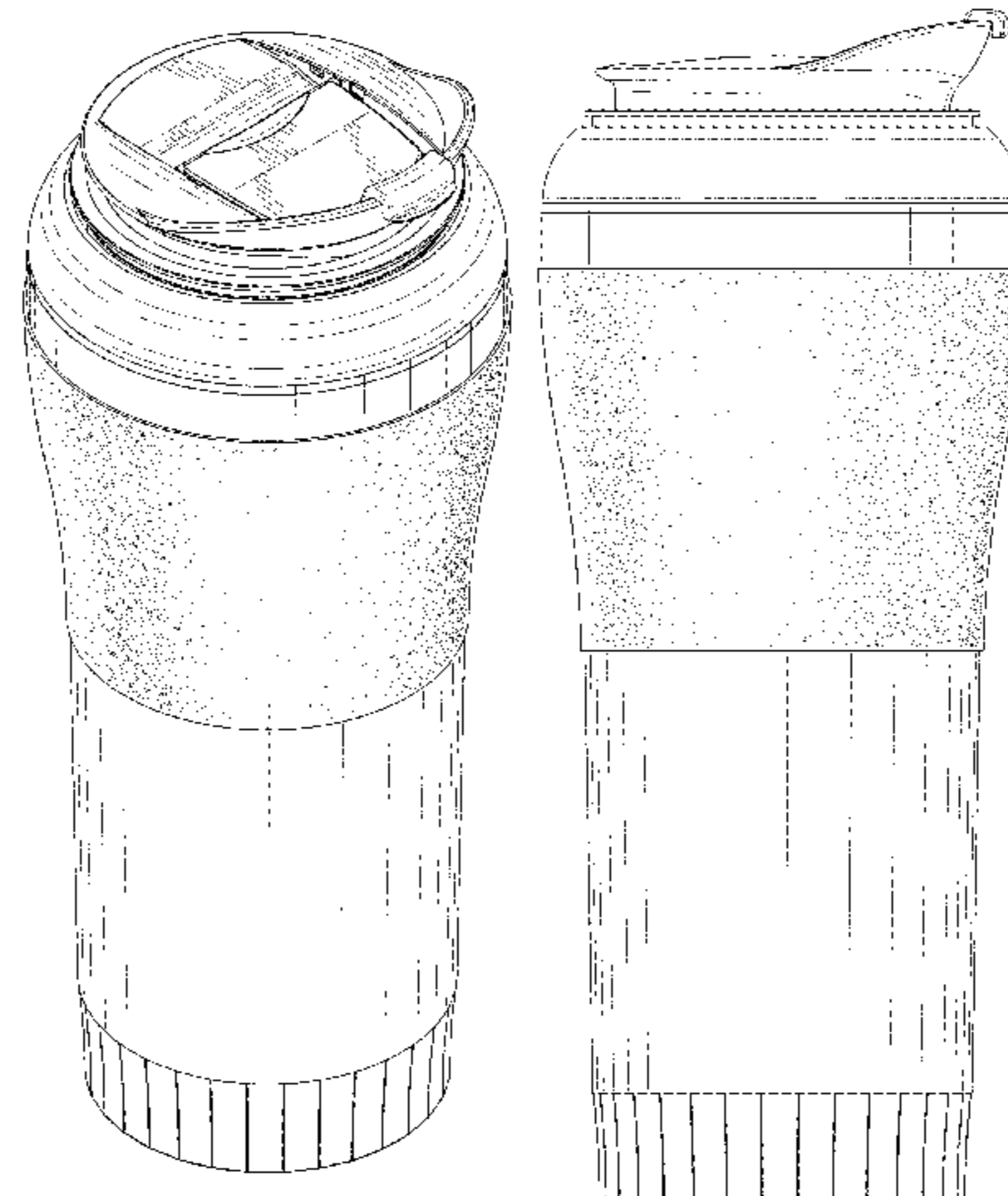
The ornamental design for a thermos bottle, as shown and described.

DESCRIPTION

FIG. 1 is a top perspective view of a thermos bottle showing my new design;
FIG. 2 is a bottom perspective view thereof;
FIG. 3 is a right side elevational view thereof, the left side elevational view being a mirror image thereof;
FIG. 4 is a rear elevational view thereof;
FIG. 5 is a front elevational view thereof;
FIG. 6 is a top plan view thereof; and,
FIG. 7 is a bottom plan view thereof.

To clearly show the character and contour of all surfaces of the design and the use of contrasting materials, Applicant has employed line shading in some areas and stippling for one banded area located in the upper portion of the design. The area shown with stippling is an area available as a resilient gripping surface and the preferable material for this area is a rubber material.

1 Claim, 6 Drawing Sheets



(56)

References Cited

U.S. PATENT DOCUMENTS

D644,060	S	*	8/2011	Komeiji	D7/392.1
D655,967	S	*	3/2012	Bodum	D7/300.1
D662,354	S	*	6/2012	Bodum	D7/392.1
D669,736	S	*	10/2012	Bodum	D7/510
D691,416	S	*	10/2013	Eyal	D7/396.2
D713,685	S	*	9/2014	Eyal	D7/507
9,107,541	B2	*	8/2015	Bodum	A47J 31/00
D761,618	S	*	7/2016	Lapsker	D7/392.1
2010/0302897	A1	*	12/2010	George	A47J 43/1025 366/130

* cited by examiner

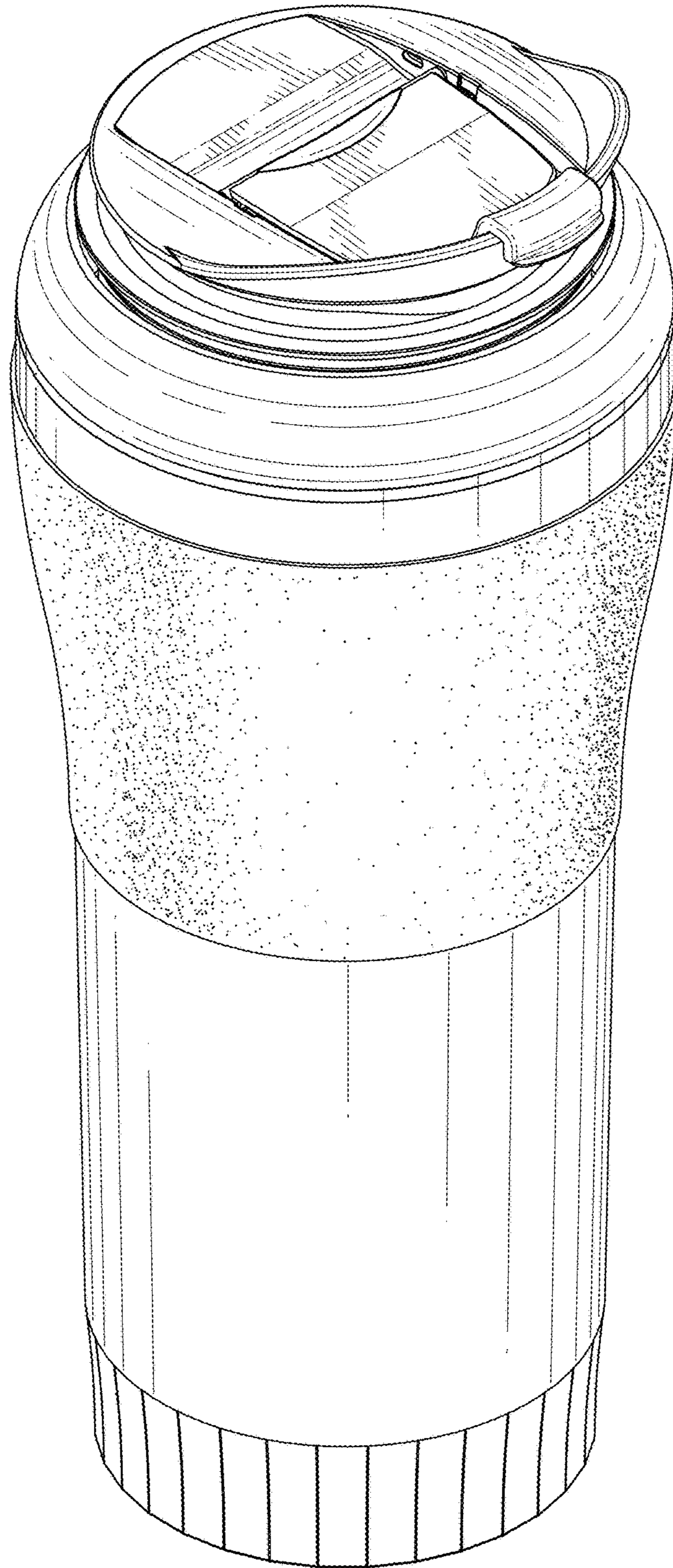


FIG. 1

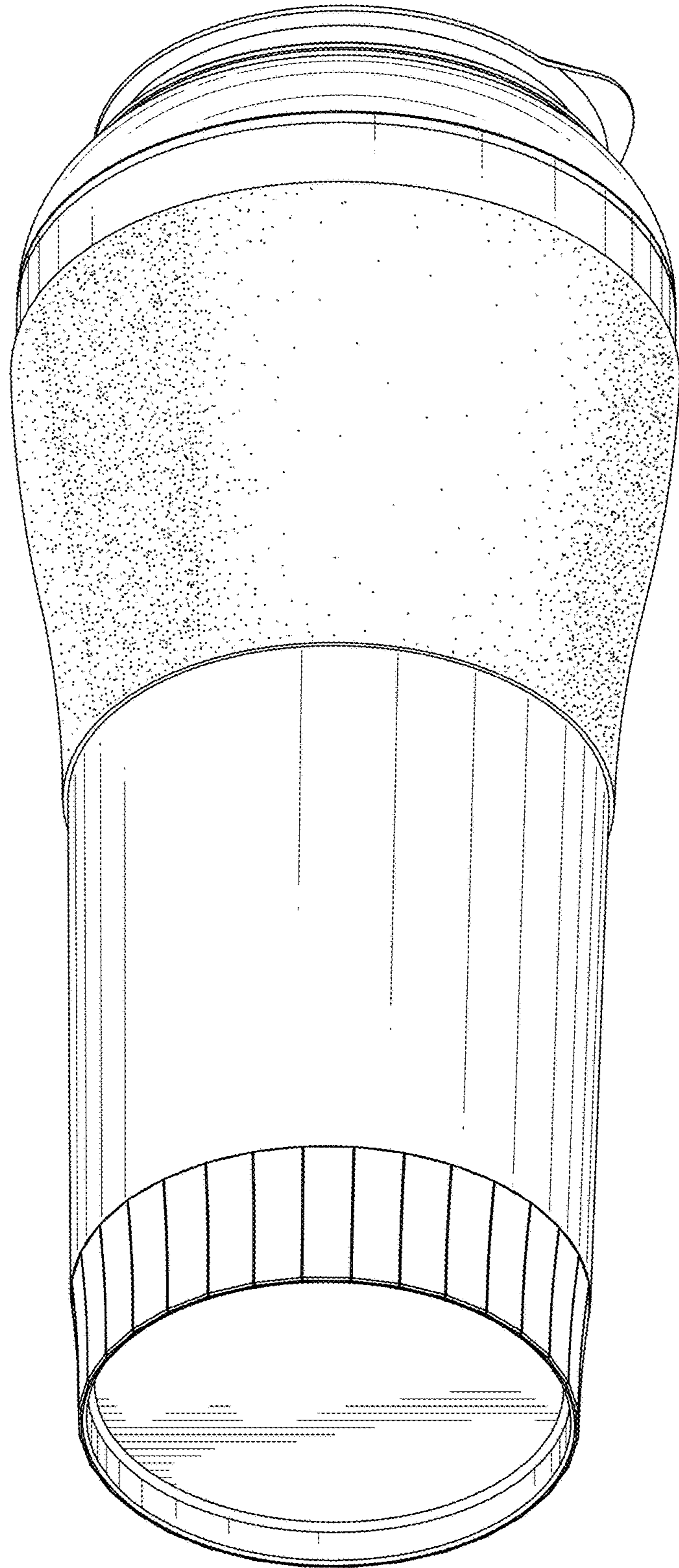


FIG. 2

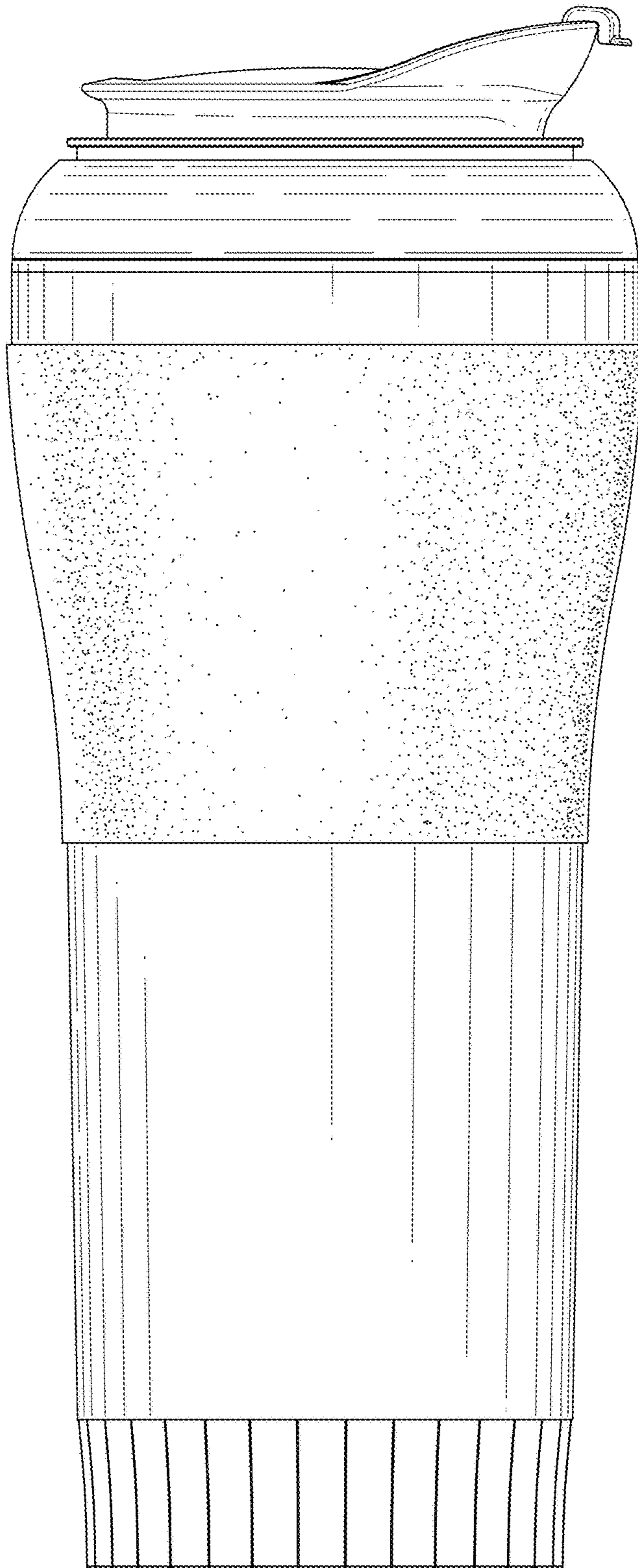


FIG. 3

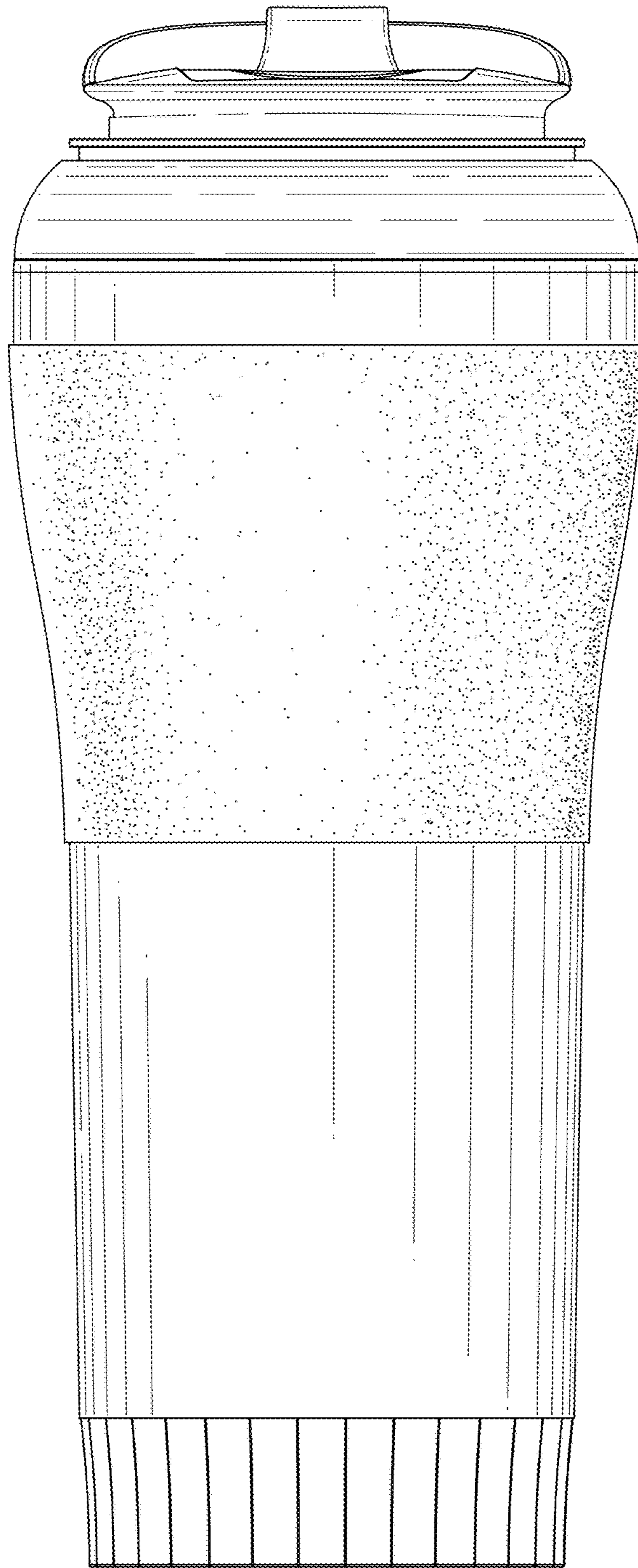


FIG.4

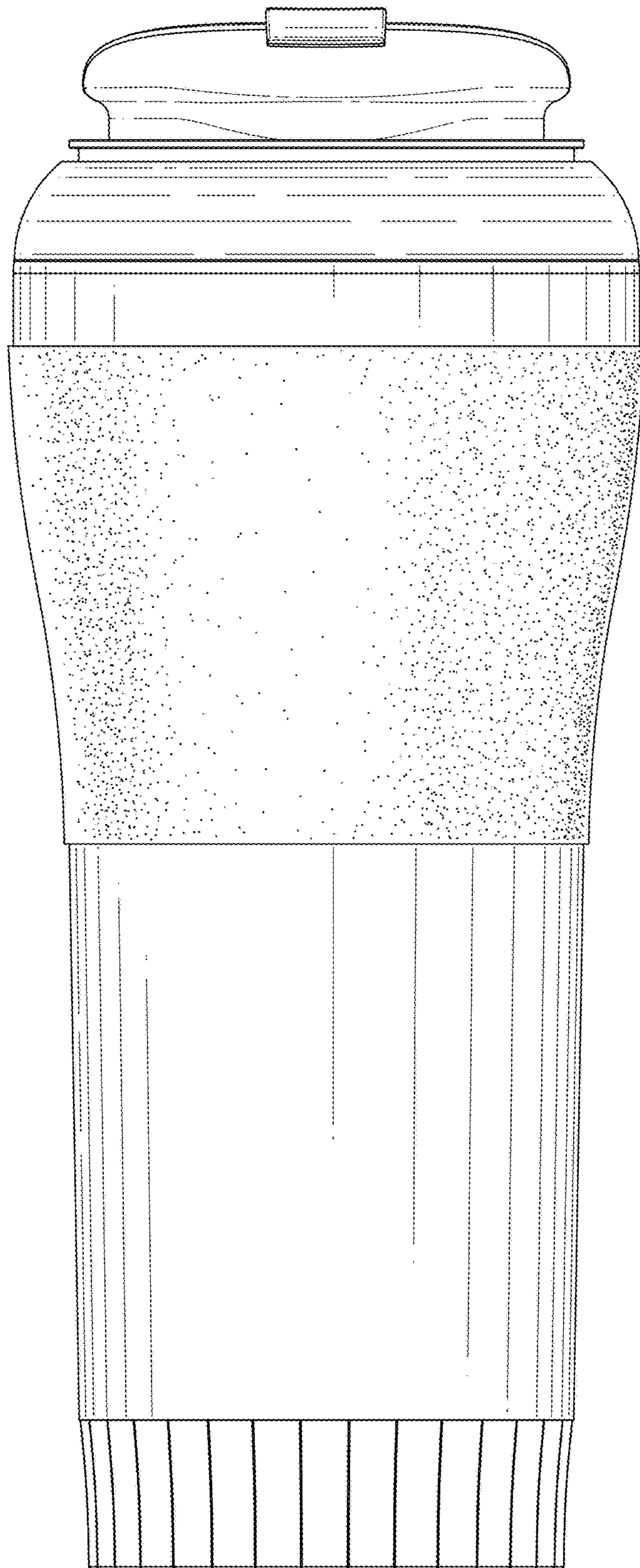


FIG. 5

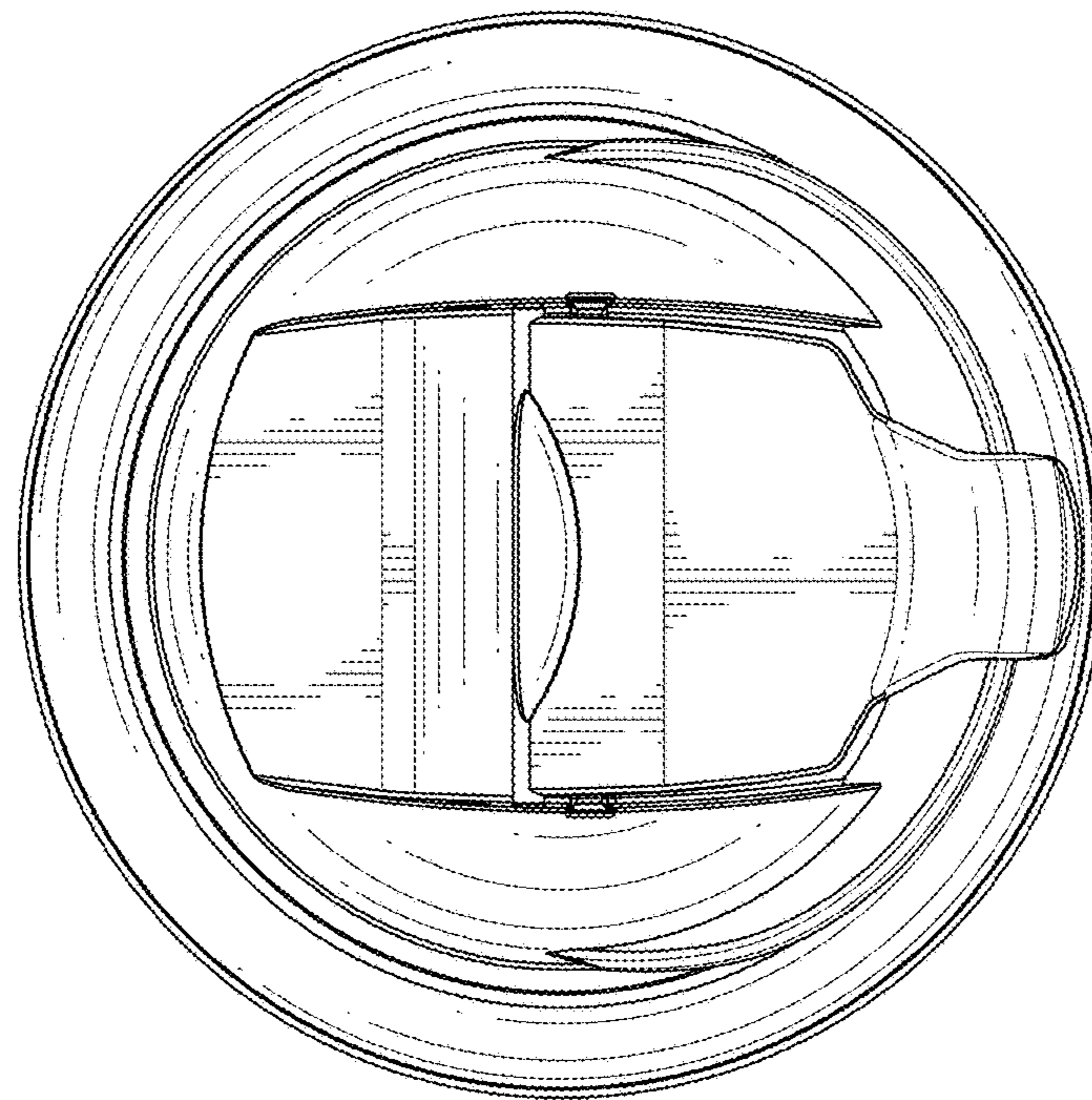


FIG. 6

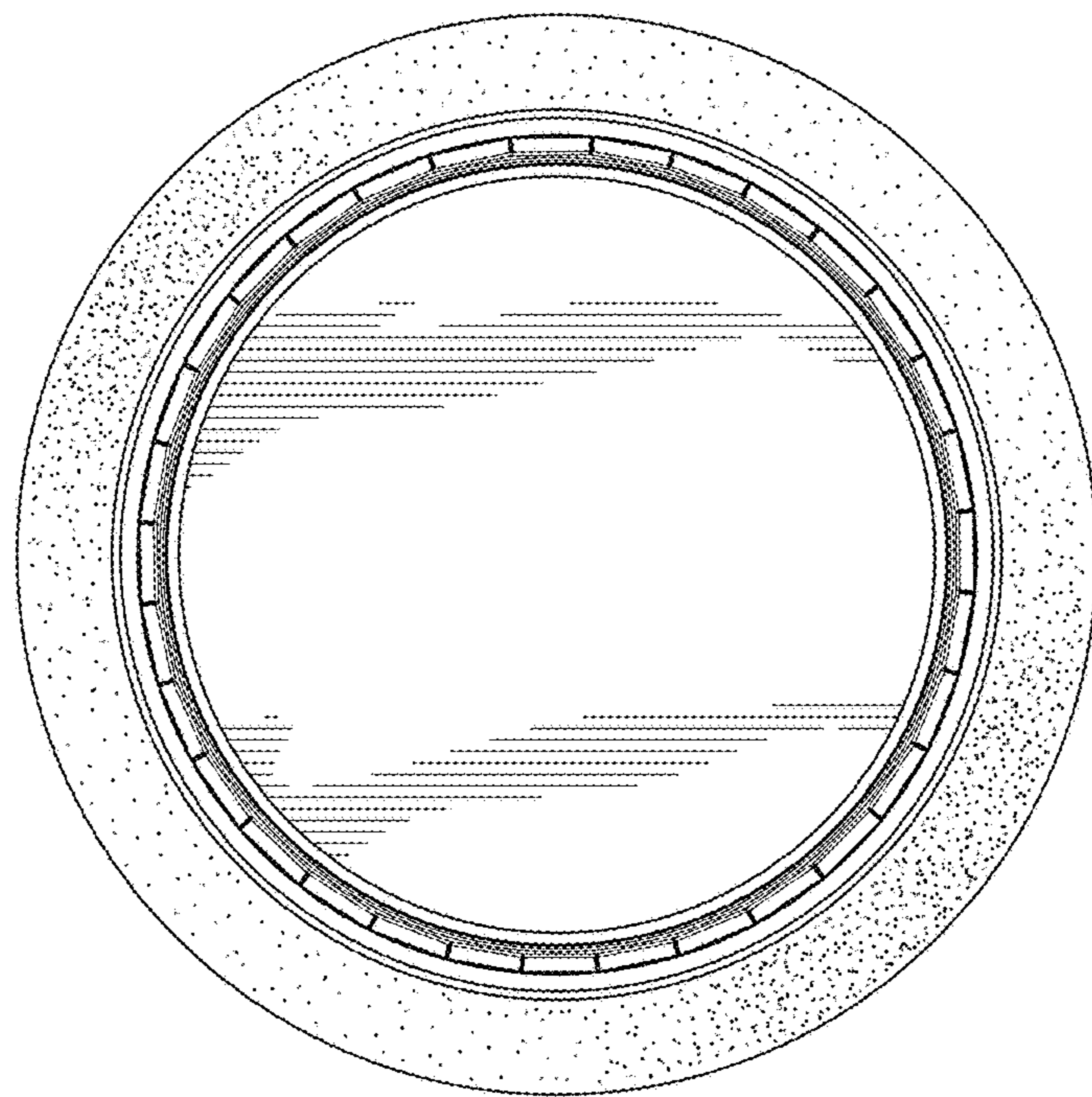


FIG. 7