



US00D794389S

(12) **United States Design Patent** (10) **Patent No.:** **US D794,389 S**  
**Hessen et al.** (45) **Date of Patent:** **\*\* Aug. 15, 2017**

(54) **FRONT PANEL AND DRAWER OF A MICROWAVE OVEN**

(71) Applicant: **Sharp Manufacturing Company of America, a Division of Sharp Electronics Corporation**, Memphis, TN (US)

(72) Inventors: **William Harry Hessen**, Memphis, TN (US); **Henry E. Cotter**, Memphis, TN (US); **Oravimon C. Martin**, Bartlett, TN (US); **Jeremy Koshak**, Memphis, TN (US)

(73) Assignee: **Sharp Mfg. Co. of America, a Division of Sharp Electronics Corp.**, Memphis, TN (US)

(\*\*) Term: **14 Years**

(21) Appl. No.: **29/514,768**

(22) Filed: **Jan. 15, 2015**

(51) **LOC (10) Cl.** ..... **07-02**

(52) **U.S. Cl.**  
USPC ..... **D7/405**

(58) **Field of Classification Search**  
USPC ..... D7/402-408, 339-340, 346-349, D7/350.1-351, 323, 330-338  
CPC .... H05B 6/763; H05B 6/6414; H05B 6/6408; Y02B 40/14; Y02B 40/143; Y02B 40/146; F24C 15/02; F24C 1/00; F24C 14/00; F24C

(Continued)

(56) **References Cited**

**U.S. PATENT DOCUMENTS**

D386,353 S \* 11/1997 Fujimoto ..... D7/351  
D521,317 S \* 5/2006 Hessen ..... D7/340  
D521,805 S 5/2006 Hessen

(Continued)

**OTHER PUBLICATIONS**

SMD3070AS Sharp 30in Microwave Drawer Oven with Hidden Control Panel—Stainless Steel, US Appliance [online], [retrieved on Sep. 12, 2016]. Retrieved from the Internet <URL: [http://www.us-appliance.com/smd3070as.html?gdftrk=gdfV21216\\_a\\_7c444\\_a\\_7c4564\\_a\\_7csmd3070as&gclid=Cj0KEQiAu9q2BRDq3MDbvOL1yaYBEiQAD6qoBmSKwGx-CE3UVxvj](http://www.us-appliance.com/smd3070as.html?gdftrk=gdfV21216_a_7c444_a_7c4564_a_7csmd3070as&gclid=Cj0KEQiAu9q2BRDq3MDbvOL1yaYBEiQAD6qoBmSKwGx-CE3UVxvj)>.\*

*Primary Examiner* — Sheryl Lane

*Assistant Examiner* — Nicole Shiflet

(74) *Attorney, Agent, or Firm* — Walker, McKenzie & Walker, P.C.

(57) **CLAIM**

The ornamental design for a front panel and drawer of a microwave oven, as shown and described.

**DESCRIPTION**

FIG. 1 is a front view of the front panel and drawer of a microwave oven.

FIG. 2 is a rear view thereof.

FIG. 3 is a top view thereof.

FIG. 4 is a bottom view thereof.

FIG. 5 is a left side view thereof. The right side view is a mirror image of FIG. 5.

FIG. 6 is a left side view with the top front panel in an open position. The right side view with the top front panel in an open position is a mirror image of FIG. 6.

FIG. 7 is a perspective view of the front panel and drawer of a microwave oven as shown in FIG. 1.

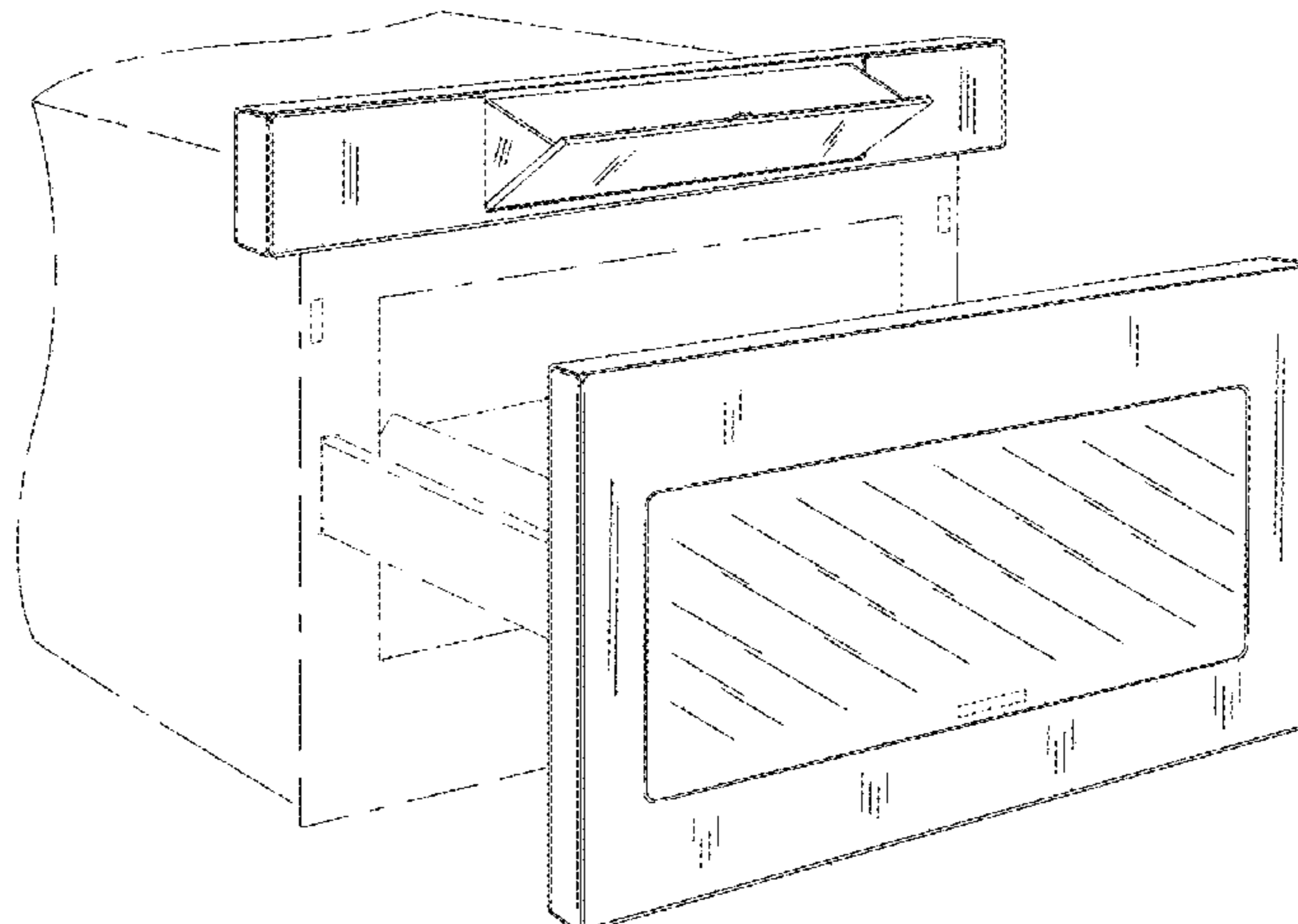
FIG. 8 is a perspective view of the front panel and drawer of a microwave oven as shown in FIG. 6; and,

FIG. 9 is a perspective view with the top front panel in an open position and the bottom drawer in an open position.

The dot-dash broken lines represent environmental structure and form no part of the claimed design. The dot-dot broken lines showing a rectangle represent a location for trademark indicia and form no part of the claimed design.

The article in which the design is embodied is a microwave oven intended to be used for heating of food.

**1 Claim, 9 Drawing Sheets**



(58) **Field of Classification Search**

CPC ..... 3/00; F24C 5/00; F24C 7/00; A47J 37/07;  
A47J 37/06

See application file for complete search history.

(56) **References Cited**

U.S. PATENT DOCUMENTS

D526,844 S *	8/2006	Bradshaw .....	D7/405
D546,121 S *	7/2007	Hessen .....	D7/405
D612,207 S *	3/2010	Baker .....	D7/402
D645,701 S *	9/2011	Murphy .....	D7/402
D678,721 S *	3/2013	Roberson .....	D7/405
D696,069 S *	12/2013	Roberson .....	D7/405
D728,309 S *	5/2015	Borjesson .....	D7/405
D742,162 S *	11/2015	Edwards .....	D7/347
D764,853 S *	8/2016	Kim .....	D7/339

\* cited by examiner

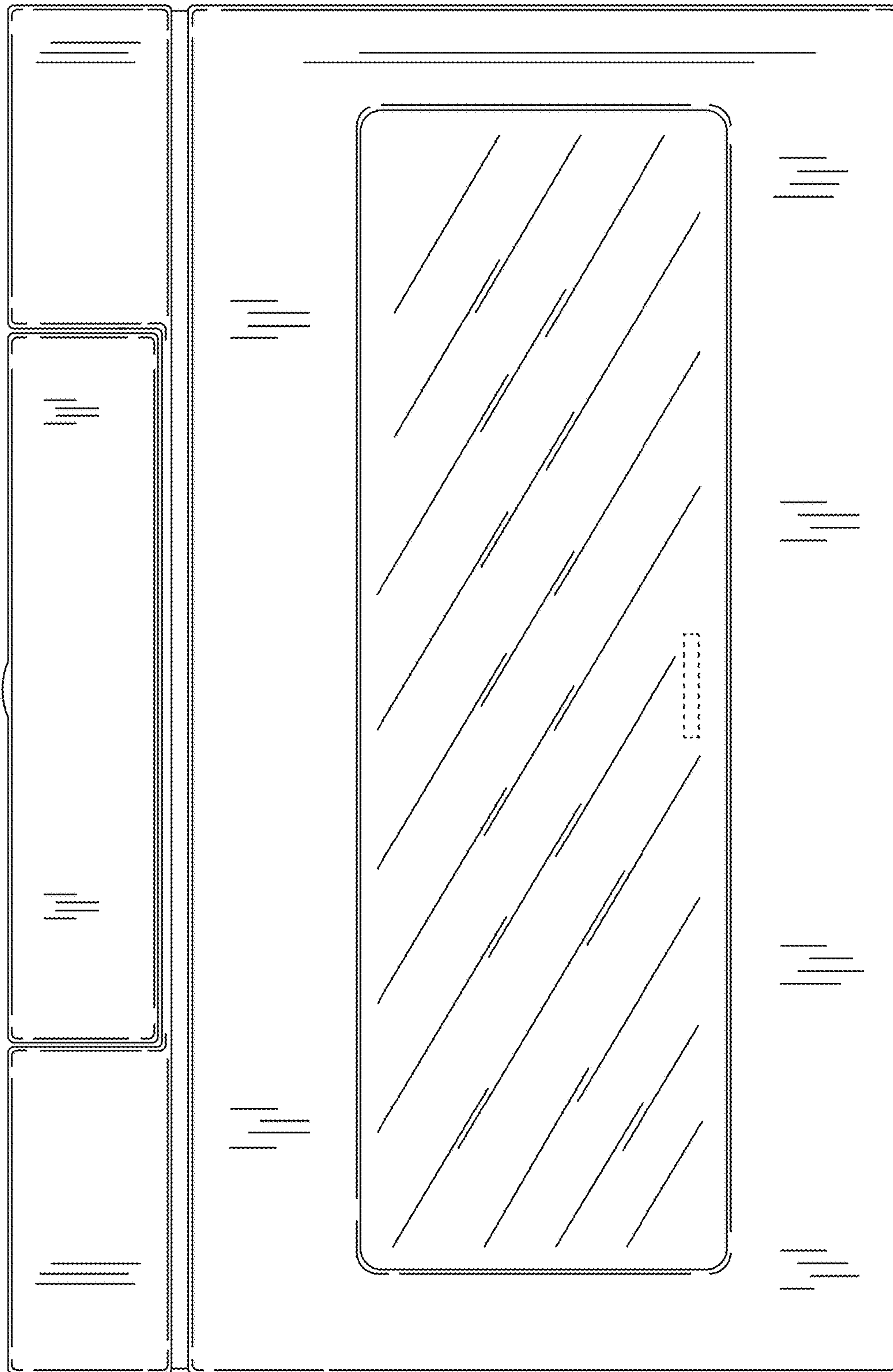


Fig. 1

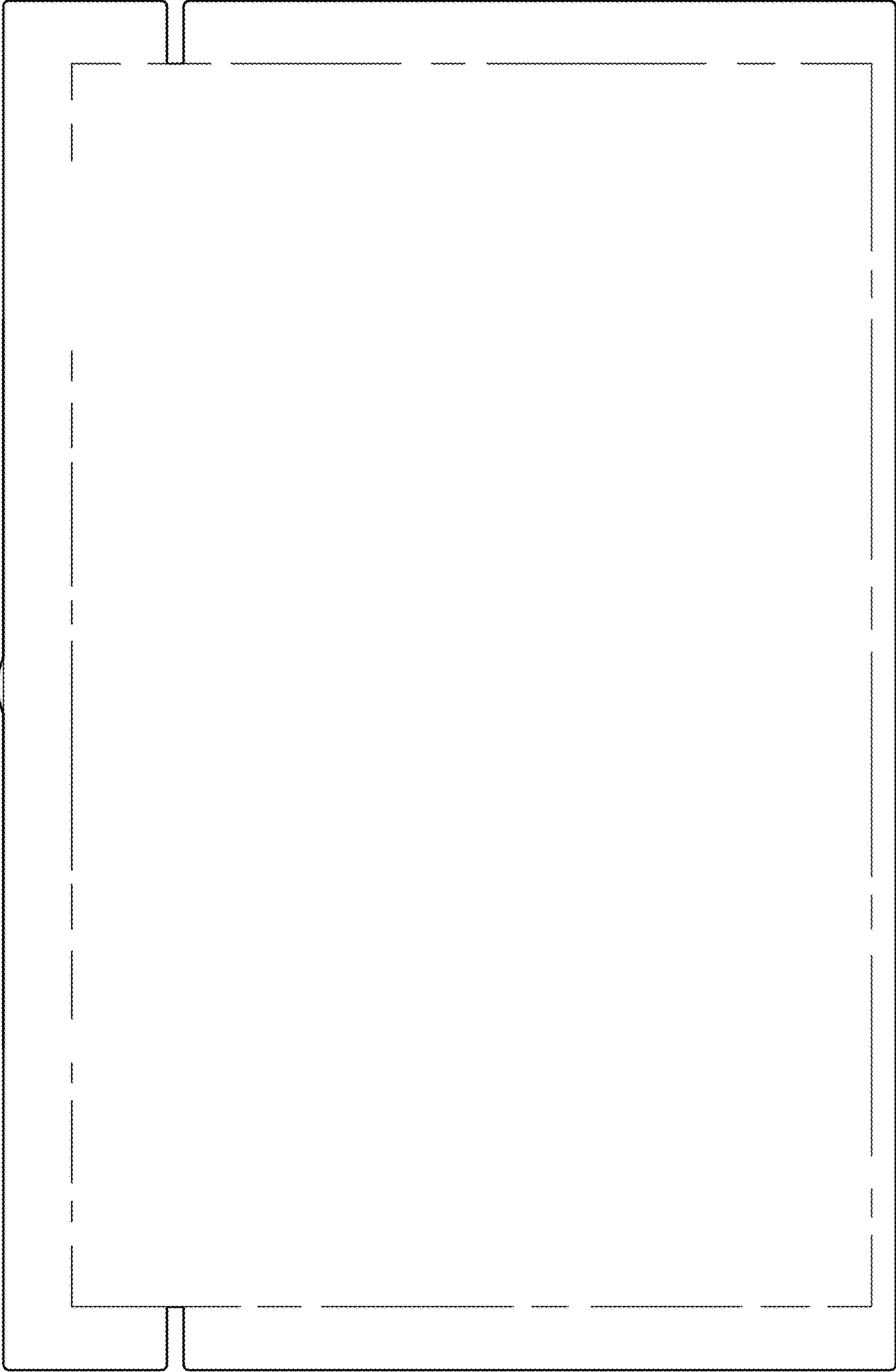


Fig. 2

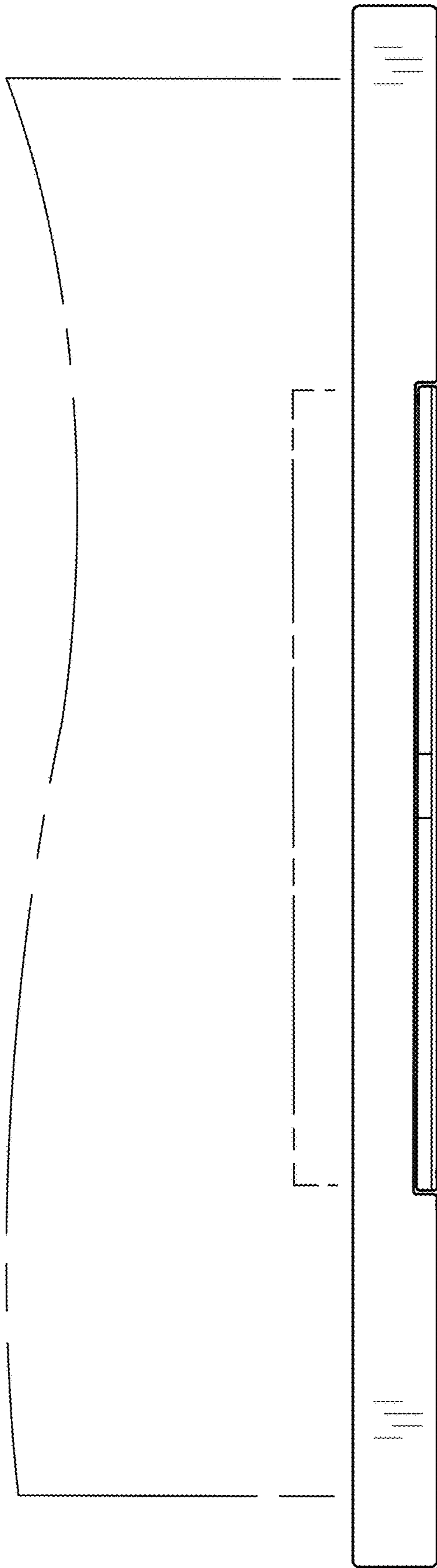


Fig. 3

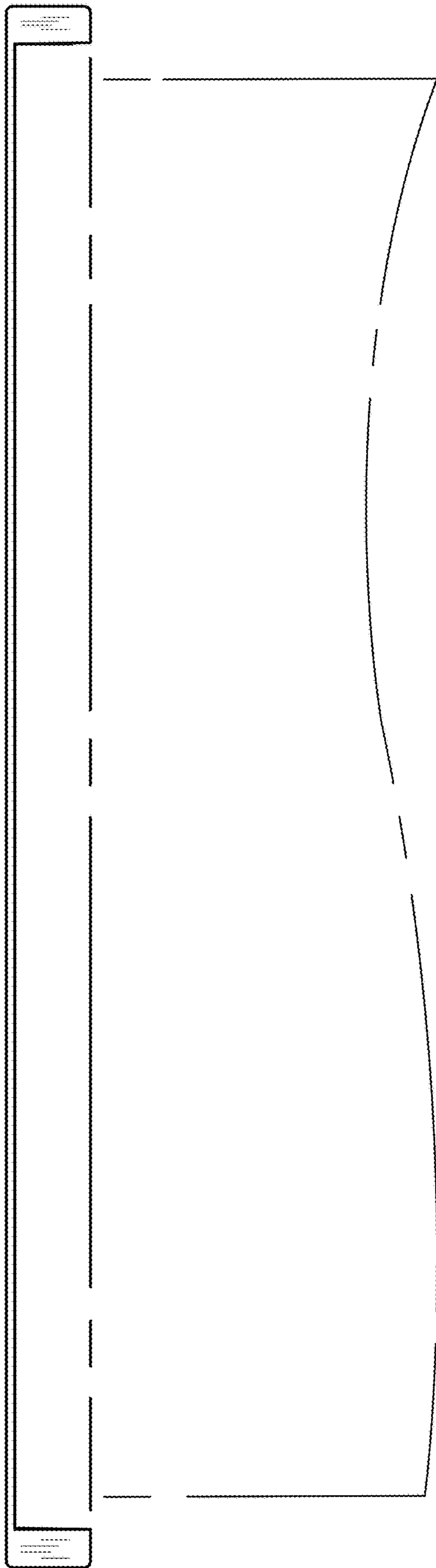


Fig. 4

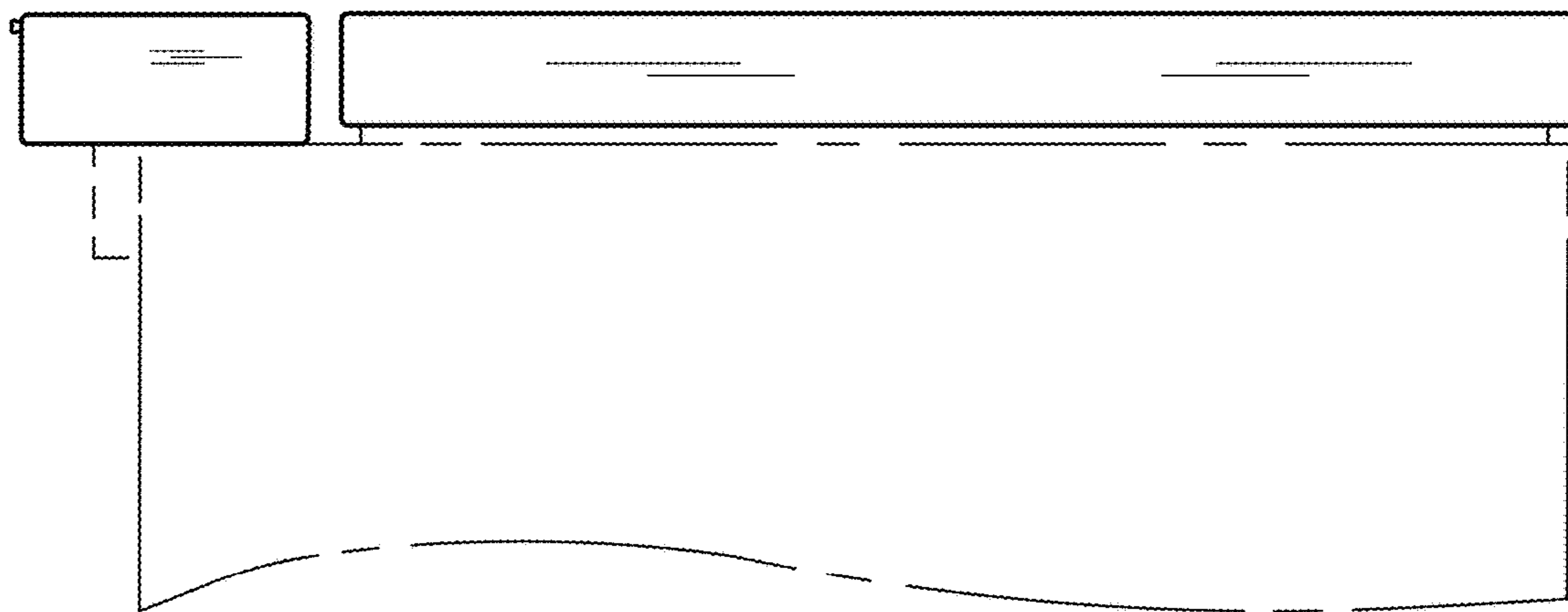
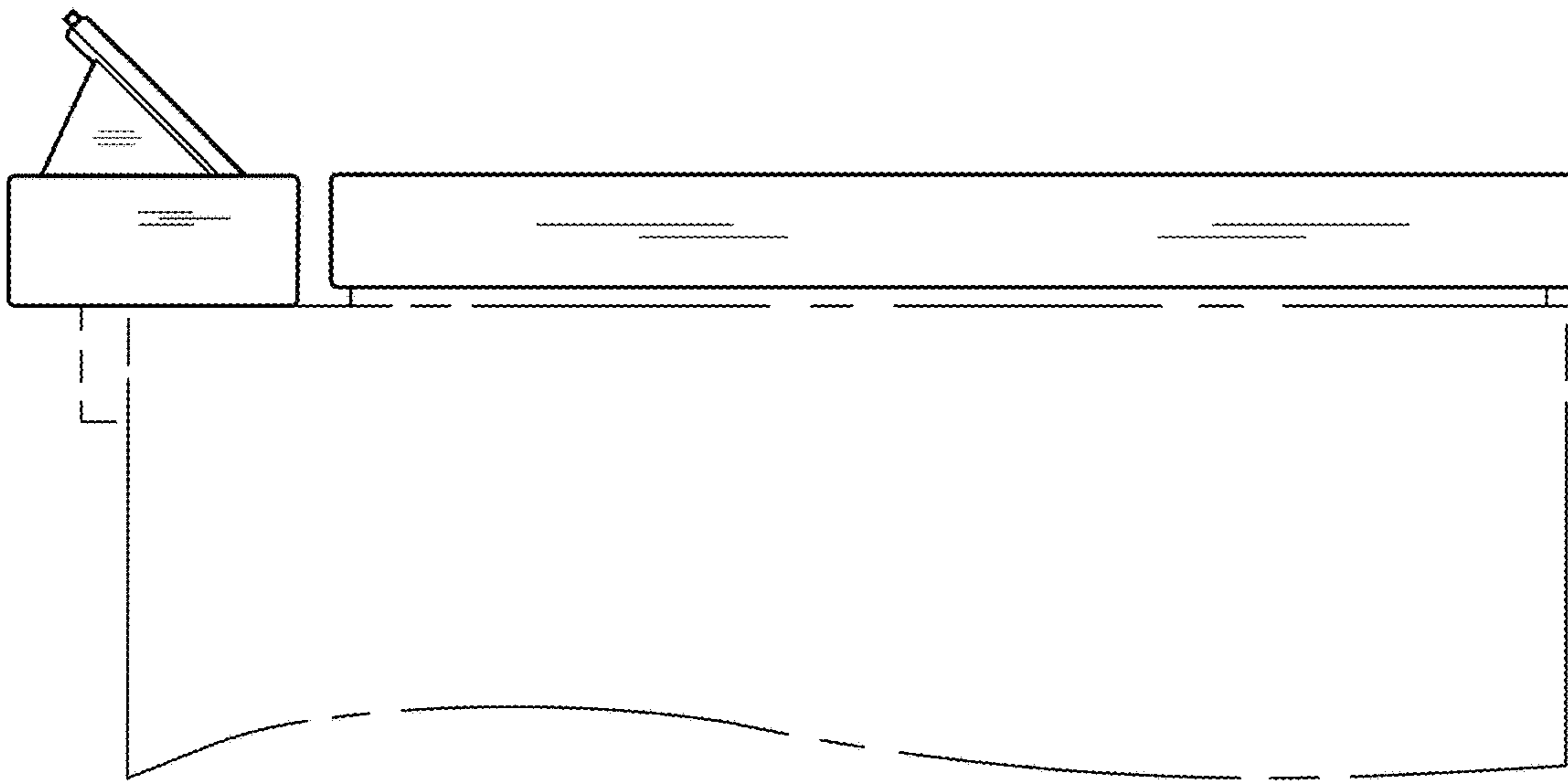


Fig. 5

Fig. 6





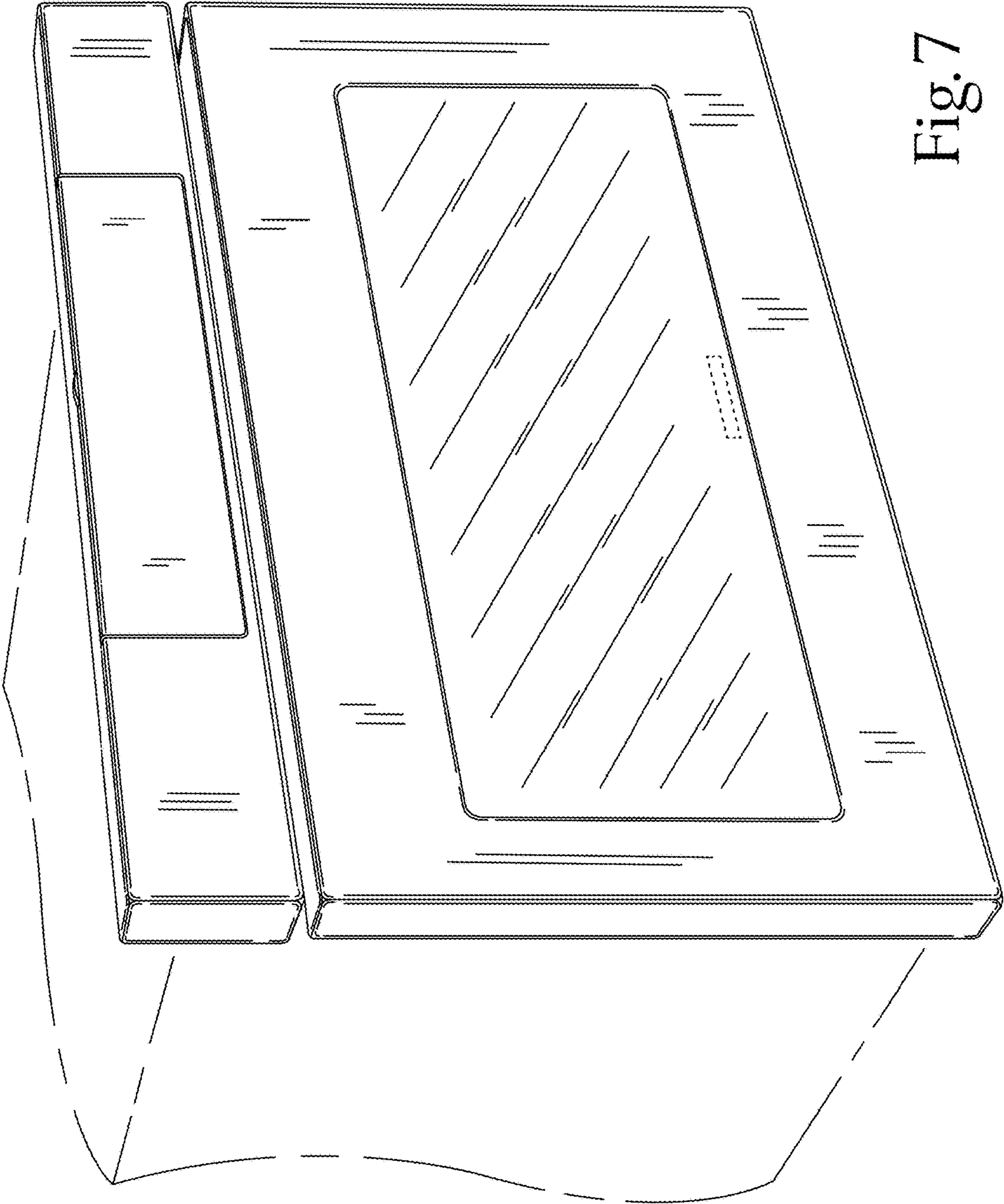


Fig. 7

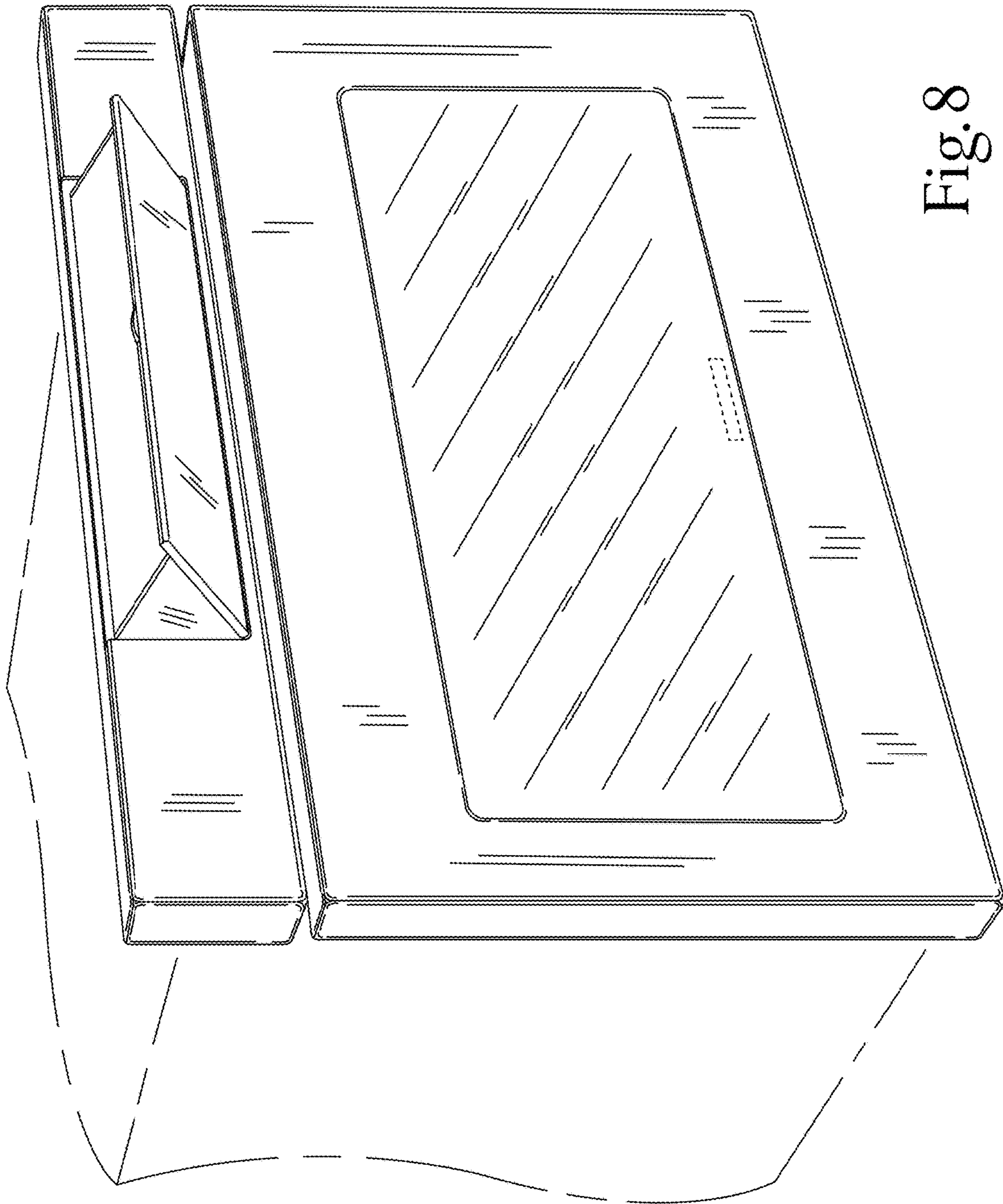


Fig. 8

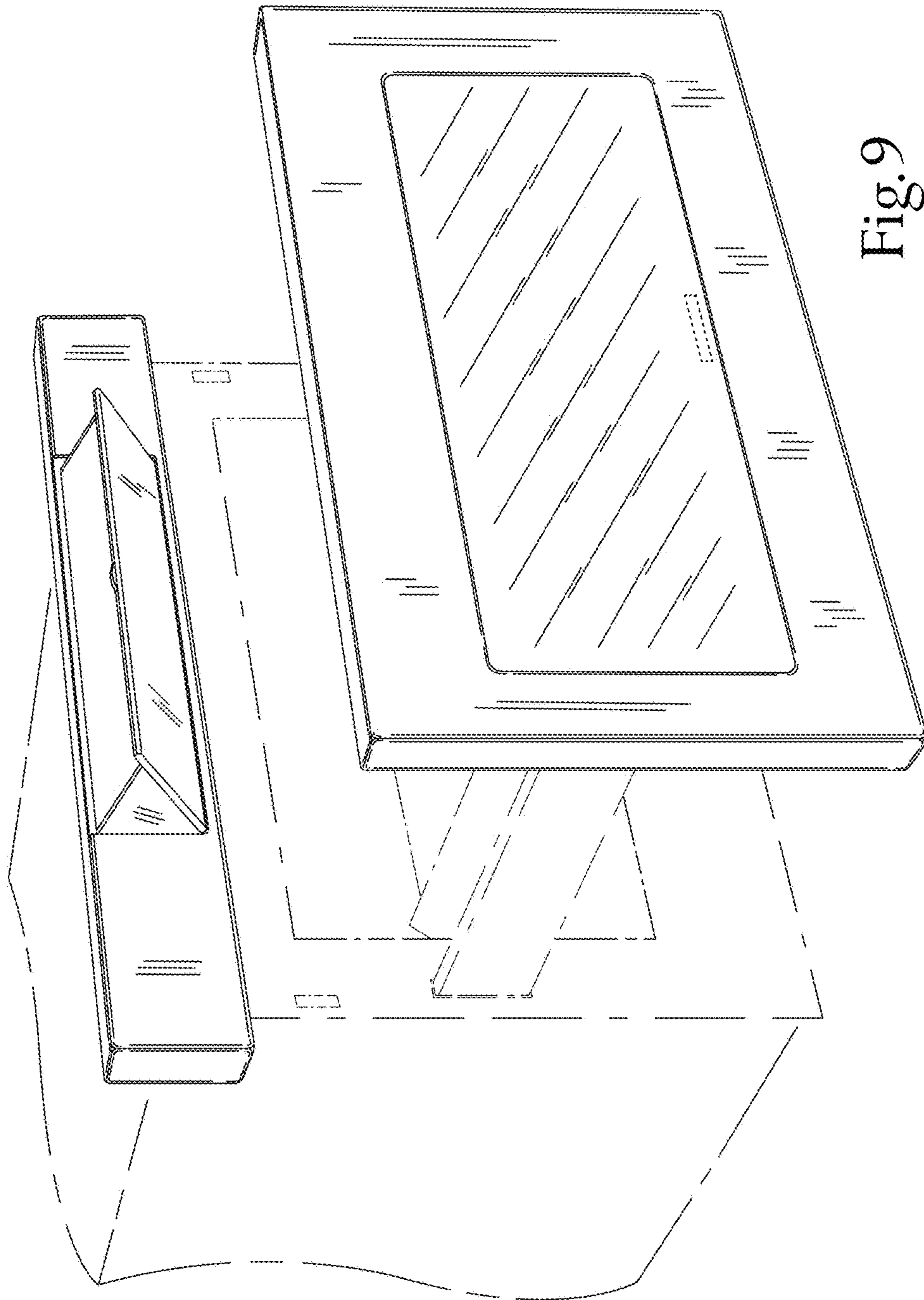


Fig. 9